

TODDLER BED

MODEL NO:

WM1646RWN WALNUT
WM1646RC CHERRY
WM1646RN NATURAL
WM1646RW WHITE
WM1646E ESPRESSO

UPC CODE:

0-65857-14157-3 WALNUT
0-65857-14156-6 CHERRY
0-65857-14155-9 NATURAL
0-65857-14160-3 WHITE
0-65857-16242-4 ESPRESSO

NOTE:

THIS INSTRUCTION BOOKLET
CONTAINS **IMPORTANT** SAFETY
INFORMATION. PLEASE
READ AND KEEP FOR
FUTURE REFERENCE.

LOT NUMBER:

(TAKEN FROM CARTON)

DATE OF PURCHASE:

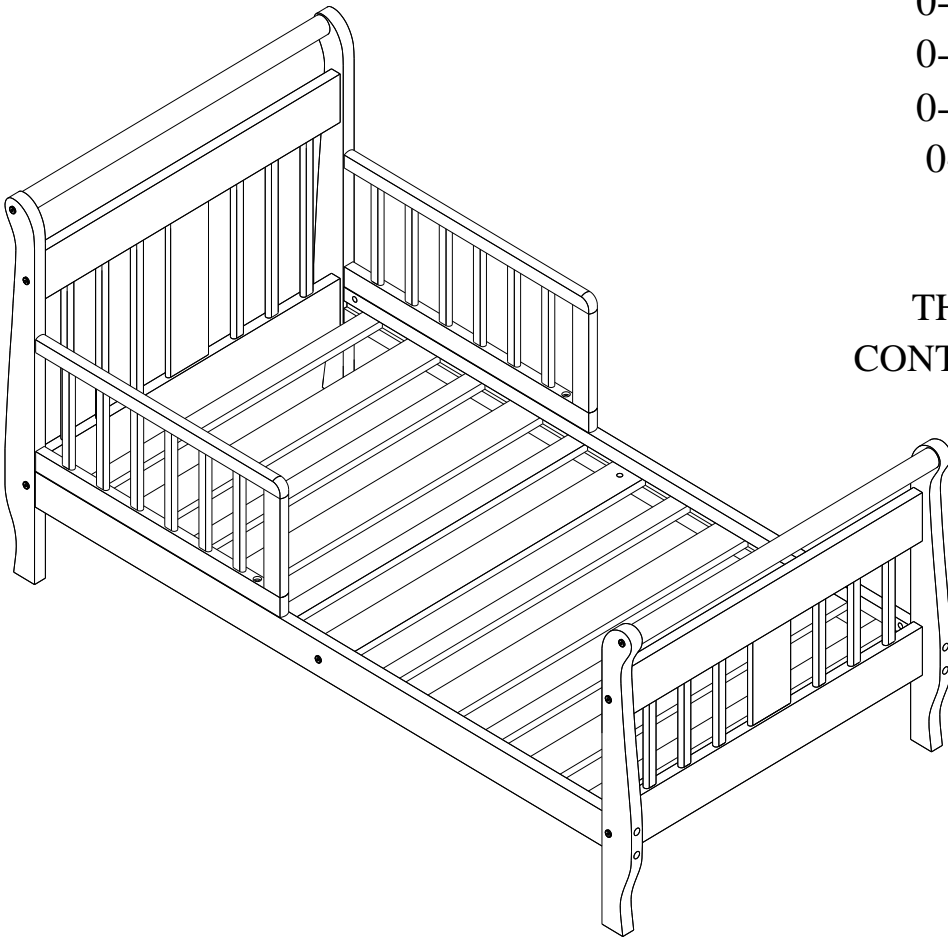
____ / ____ / ____

NOT RETURN PRODUCT TO THE STORE.

If a part is missing or damaged, Contact our
customer service department. We will
replace the part FREE of charge.



Tel # : 1-800-295-1980
E-Mail: das@dorel.com
Fax #: 514-353-7819



CUSTOMER SERVICE

If you are missing parts or have any questions about this product, contact our customer service representative first!



CALL 1-800-295-1980

You can also order parts by writing to the address listed below. Please include the product model number, color and a detailed description of the part.

**Customer Service Department No. 413
12345 Albert-Hudon Boulevard, Suite 100
Montreal, Quebec
Canada, H1G 3L1
E-MAIL: das@dorel.com**



WARNING ENTRAPMENT/STRANGULATION HAZARD:

- * Infants have died in toddler beds from entrapment and strangulation
- * Failure to follow these warnings and assembly instructions could result in serious injury or death from entrapment or strangulation.
- * NEVER use bed with children under 15 months.
- * NEVER place bed near windows where cords from blinds or drapes may strangle a child.
- *
The TODDLER BED is not intended for children under 15 months of age or over 50 pounds (22.7kg).
- * If guardrails are used as the mattress containment means, guardrail(s) provided must be used to avoid the formation of a gap between the mattress and the bed that could cause an entrapment.
- * DO NOT place TODDLER BED near windows where cords from blinds or drapes may strangle a child.
- * DO NOT place items with a string, cord, or ribbon around a child's neck, such as hood strings or pacifier cords.
- * DO NOT suspend strings over a TODDLER BED for any reason.
- * Any mattress used in this product must be at least 27-1/4 inches by 51-5/8 inches (69cm by 131cm) with a minimum thickness of 4 inches (10cm) and not exceeding 6 inches (15cm).
- * Read all instructions before assembling crib. **KEEP INSTRUCTIONS FOR FUTURE USE.**
- * Before each usage or assembly, inspect toddler bed for damaged hardware, loose joints, missing parts or sharp edges, DO NOT use toddler bed if any parts are missing or broken. Ask your dealer or write to our customer service representative (address & phone number shown above) for replacement parts and instructional literature if needed. DO NOT substitute parts.
- * **DO NOT** use a water mattress with this toddler bed.

NOTE

- * Phillips head screwdriver is not included.
- * Assembly will require 2 people.
- * Estimated assembly time: 25 minutes.
- * **Caution:** Adult assembly required.

CARE AND CLEANING

* Dust regularly with a soft, lint-free cloth to prevent soil build-up. A damp cloth may be used occasionally to clean surface. Dry immediately. Do not use any abrasives that may damage finish. Excessive exposure to sunlight and extreme changes in temperature and moisture can damage wood furniture.

MAINTENANCE

* Check bolts periodically and tighten if necessary.

LIMITED WARRANTY

Dorel Asia warrants its product to be free from defects in material and workmanship and agrees to remedy any such defect. This warranty covers 1 year from the date of original purchase. This warranty is valid only upon presentation of proof of purchase. This is solely limited to the repair or replacement of defective furniture components and no assembly labor is included. This warranty does not apply to any product which has been improperly assembled, subjected to misuse or abuse or which has been altered or repaired in any way. This warranty gives you specific legal rights and you may also have other rights which vary from State to State.

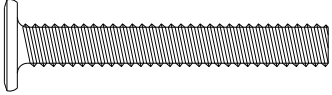
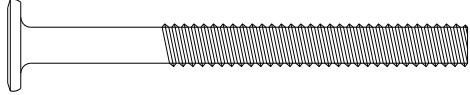
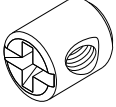
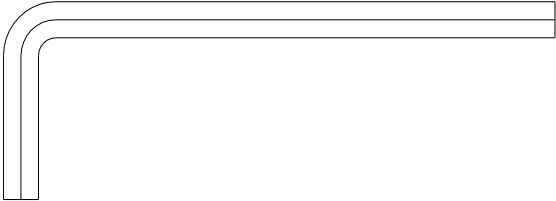
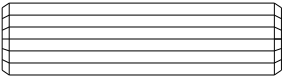
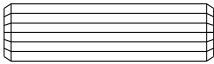

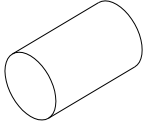


WARNING: Should this product become damaged, and/or components are broken or missing, DO NOT USE.

TODDLER BED

WM1646RWN / WM1646RC / WM1646RN / WM1646RW / WM1646E





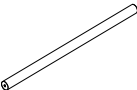





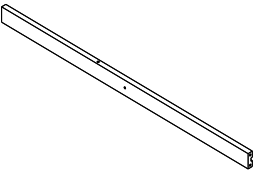
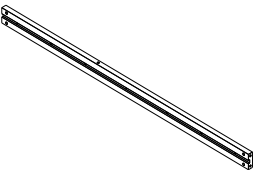
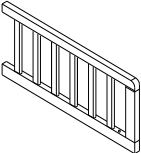
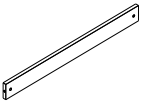
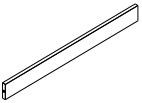
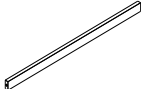
HARDWARE LIST

<p>1</p>  <p>$\Phi 1/4" \times 1-3/4"$</p>	<p>2</p>  <p>$\Phi 1/4" \times 2-1/2"$</p>
<p>HEX SOCKET HEAD BOLT 18 PCS</p>	<p>HEX SOCKET HEAD BOLT 10 PCS</p>
<p>3</p>  <p>$\Phi 1/4" \times 1/2"$</p>	<p>4</p>  <p>4MM</p>
<p>BARREL NUT 10 PCS</p>	<p>ALLEN KEY 1 PC</p>
<p>5</p>  <p>$\Phi 10\text{mm} \times 40\text{mm}$</p>	<p>6</p>  <p>$\Phi 8\text{mm} \times 30\text{mm}$</p>
<p>WOOD DOWEL 16 PCS</p>	<p>WOOD DOWEL 20 PCS</p>
<p>7</p>  <p>$\Phi 3\text{mm} \times 32\text{mm}$</p>	<p>8</p> 
<p>METAL DOWEL 4 PCS</p>	<p>STOPPER 16 PCS</p>

TODDLER BED

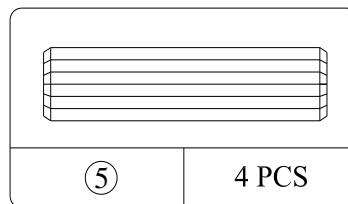
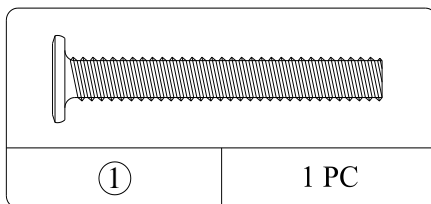
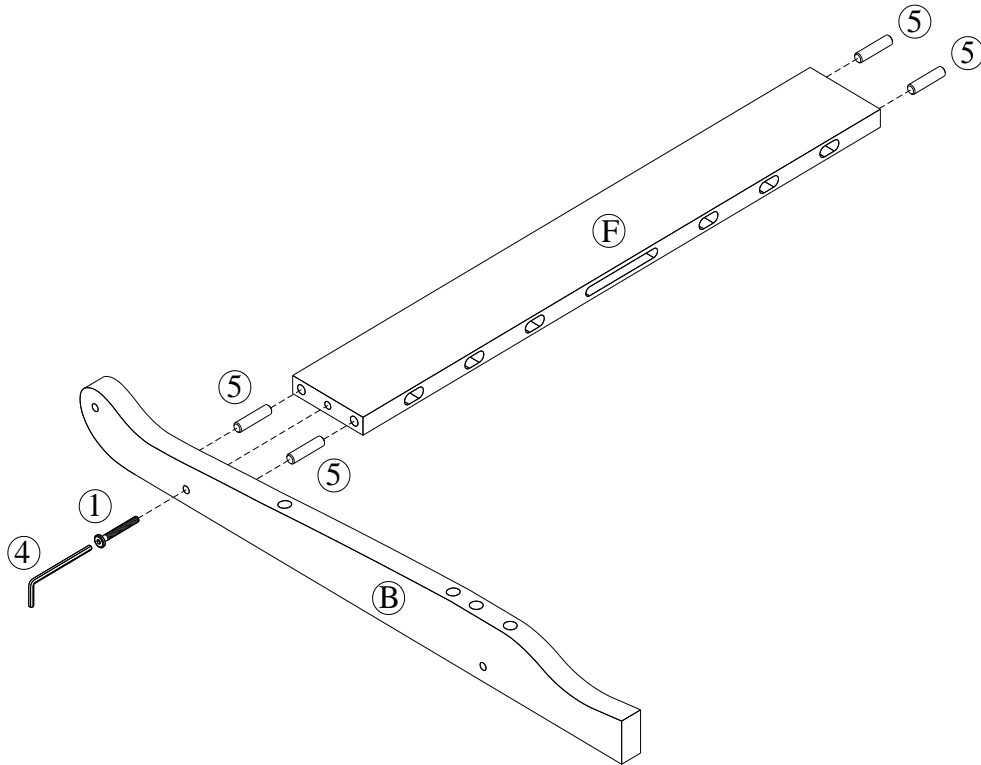
WM1646RWN / WM1646RC / WM1646RN / WM1646RW / WM1646E

PARTS LIST

<p>A</p> 	<p>B</p> 	<p>C</p> 
<p>LEFT HEADBOARD POST 1 PC</p>	<p>RIGHT HEADBOARD POST 1 PC</p>	<p>LEFT FOOTBOARD POST 1 PC</p>
<p>D</p> 	<p>E</p> 	<p>F</p> 
<p>RIGHT FOOTBOARD POST 1 PC</p>	<p>CYLINDER 2 PCS</p>	<p>TOP & BOTTOM CROSS 4 PCS</p>
<p>G</p> 	<p>H</p> 	<p>I</p> 
<p>WIDE HEADBOARD SLAT 1 PC</p>	<p>NARROW HEADBOARD SLAT 6 PCS</p>	<p>WIDE FOOTBOARD SLAT 1 PC</p>
<p>J</p> 	<p>K</p> 	<p>L</p> 
<p>NARROW FOOTBOARD SLAT 6 PCS</p>	<p>LEFT SIDE RAIL 1 PC</p>	<p>RIGHT SIDE RAIL 1 PC</p>
<p>M</p> 	<p>N</p> 	<p>O</p> 
<p>GUARDRAIL 2 PCS</p>	<p>CENTER SUPPORT SLAT 1 PC</p>	<p>WIDE SUPPORT SLAT 4 PCS</p>
<p>P</p> 		
<p>NARROW SUPPORT SLAT 6 PCS</p>		

TODDLER BED

WM1646RWN / WM1646RC / WM1646RN / WM1646RW / WM1646E



STEP 1

One of the top & bottom cross (F) has a warning label on it, Do not use it in this step.

Insert wood dowels (5) into ends of top & bottom cross (F).

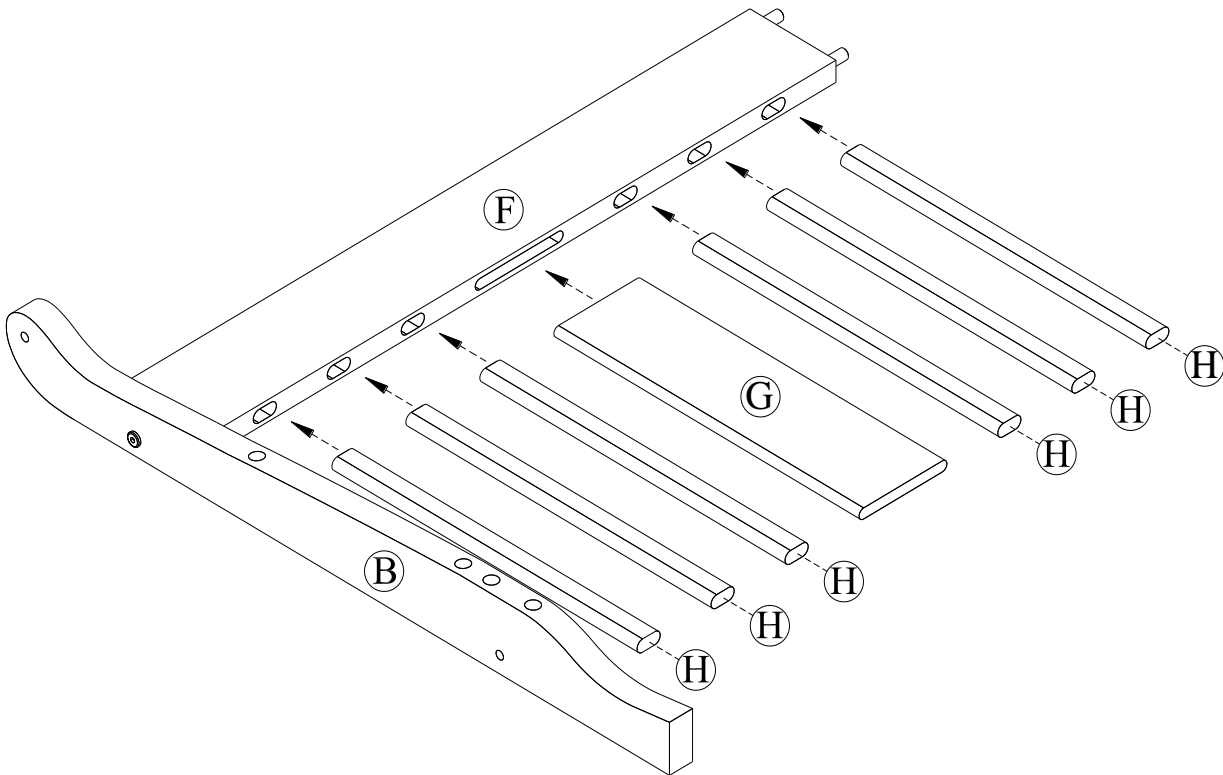
Attach right headboard post (B) to the top cross (F) using hex socket head bolt (1) as shown.

Use Allen Key (4) to tighten the bolt.

NOTE: Do not fully tighten bolts. This will facilitate assembly in the following steps.

TODDLER BED

WM1646RWN / WM1646RC / WM1646RN / WM1646RW / WM1646E

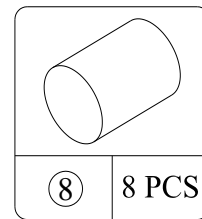
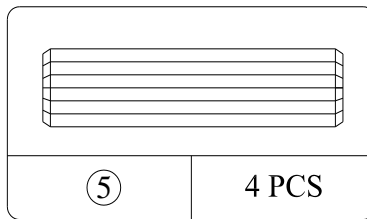
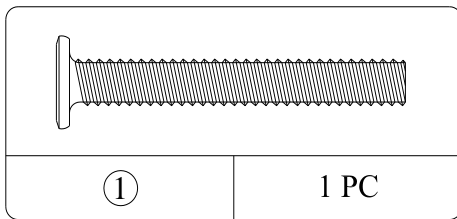
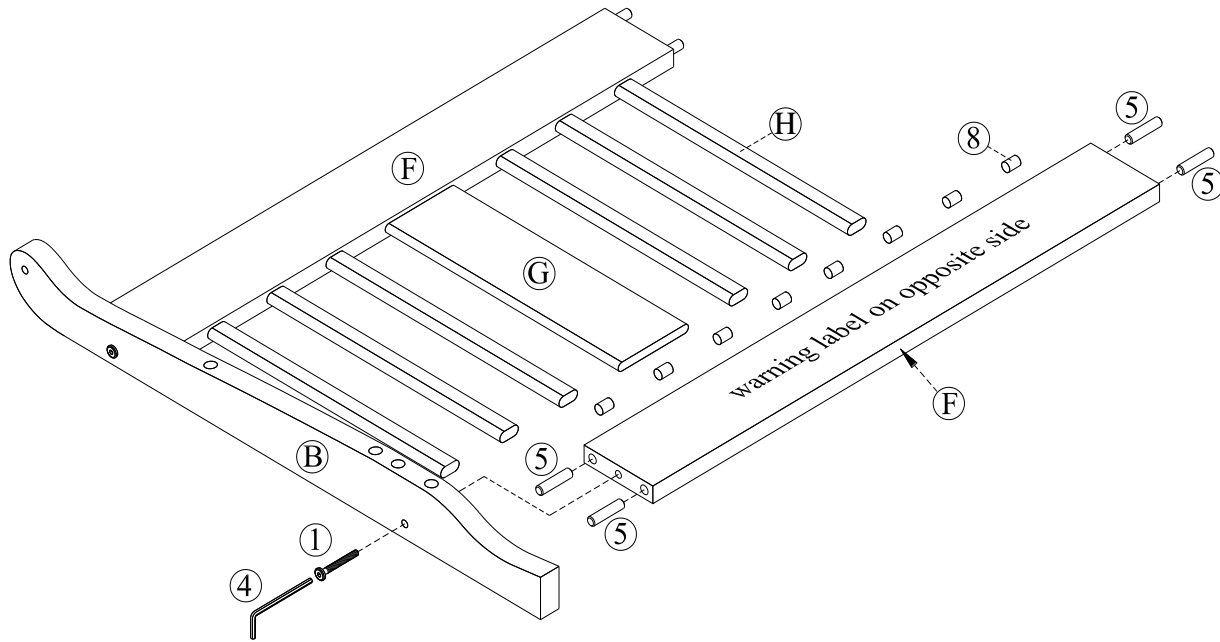


STEP 2

Insert wide headboard slat (G) and narrow headboard slats (H) into the holes of the top cross (F). Push the headboard slats to secure them in place.

TODDLER BED

WM1646RWN / WM1646RC / WM1646RN / WM1646RW / WM1646E



STEP 3

Use the top & bottom cross (F) with a warning label in this step.

Insert wood dowels (5) into ends of the bottom cross (F).

Insert stoppers (8) into the holes of the bottom cross (F).

Insert bottom cross (F) to the right headboard post (B).

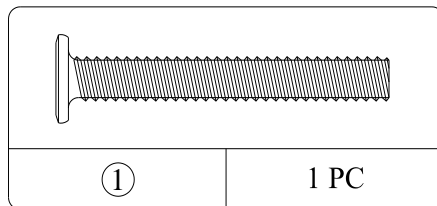
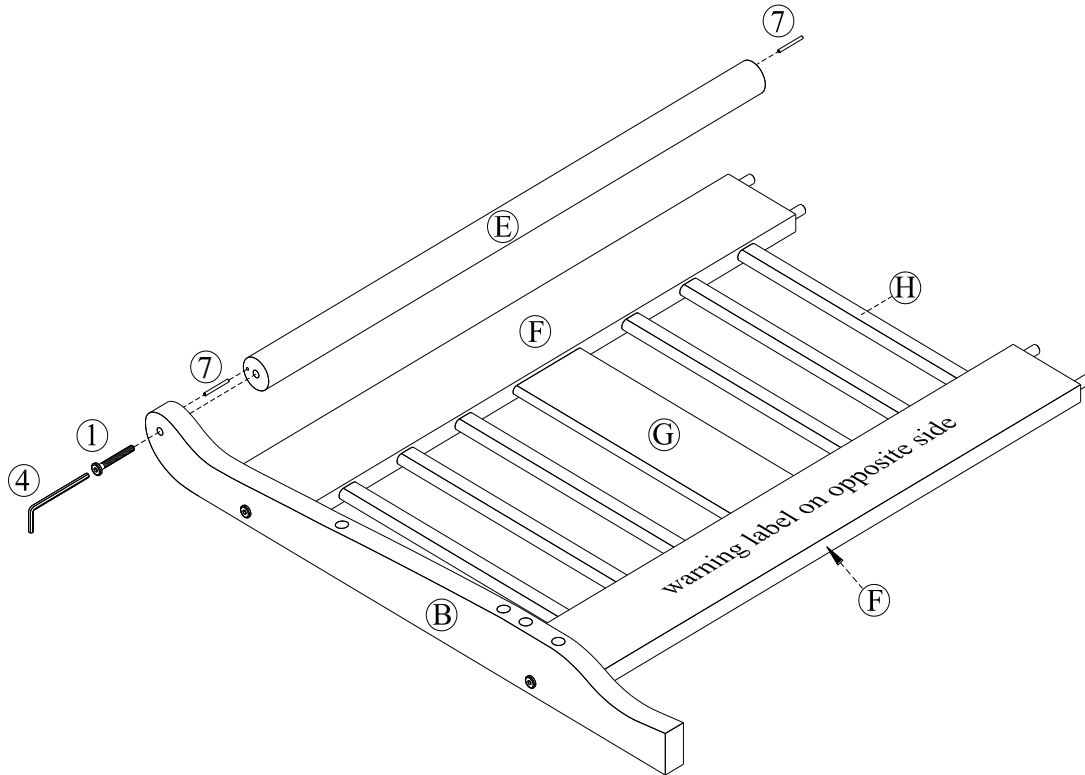
Insert the wide headboard slat (G) and narrow headboard slats (H) into the holes of the bottom cross (F).

Secure bottom cross (F) to the right headboard post (B) using hex socket head bolt (1) as shown. Use Allen Key (4) to tighten the bolt.

NOTE: Do not fully tighten bolts. This will facilitate assembly in the following steps.

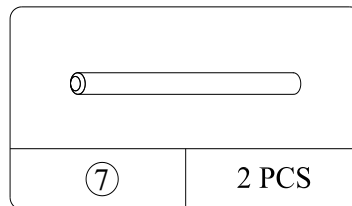
TODDLER BED

WM1646RWN / WM1646RC / WM1646RN / WM1646RW / WM1646E



①

1 PC



⑦

2 PCS

STEP 4

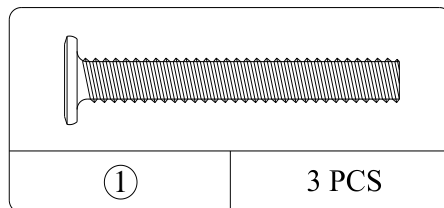
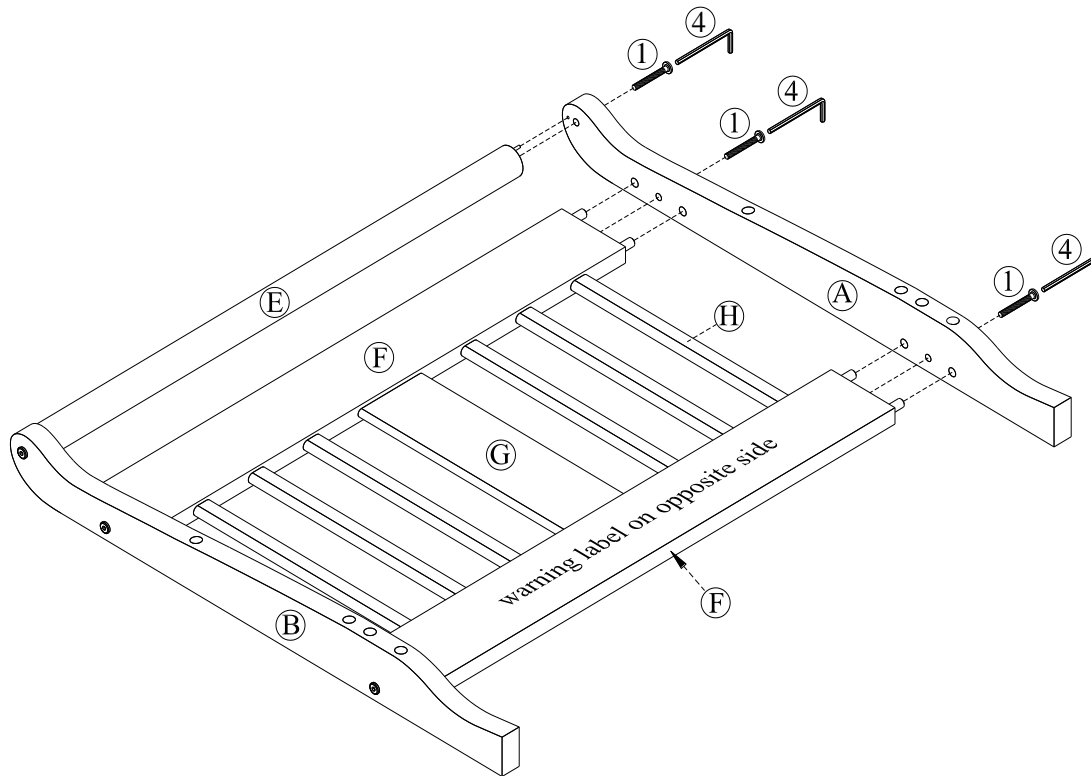
Insert metal dowels (7) into ends of cylinder (E).

Attach cylinder (E) to the right headboard post (B) using hex socket head bolt (1) as shown. Use Allen Key (4) to tighten the bolt.

NOTE: Do not fully tighten bolt. This will facilitate assembly in the following steps.

TODDLER BED

WM1646RWN / WM1646RC / WM1646RN / WM1646RW / WM1646E



STEP 5

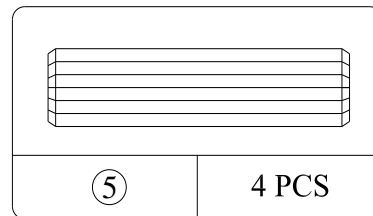
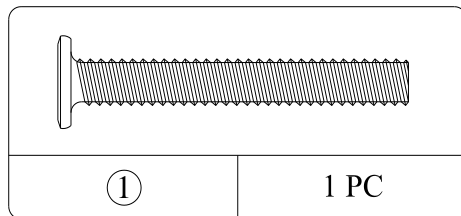
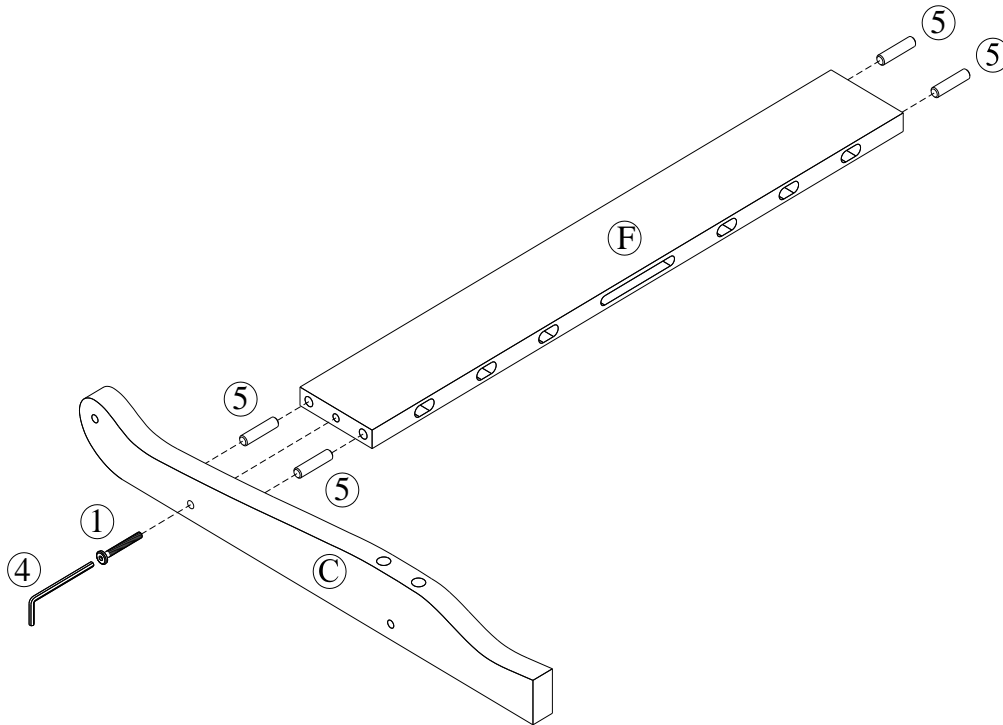
Attach the left headboard post (A) to the top & bottom cross (F) and cylinder (E) using hex socket head bolt (1) as shown. Use Allen Key (4) to tighten the bolts.

NOTE: Do not fully tighten bolts. This will facilitate assembly in the following steps.

You have finished assembling the headboard of the toddler bed.

TODDLER BED

WM1646RWN / WM1646RC / WM1646RN / WM1646RW / WM1646E



STEP 6

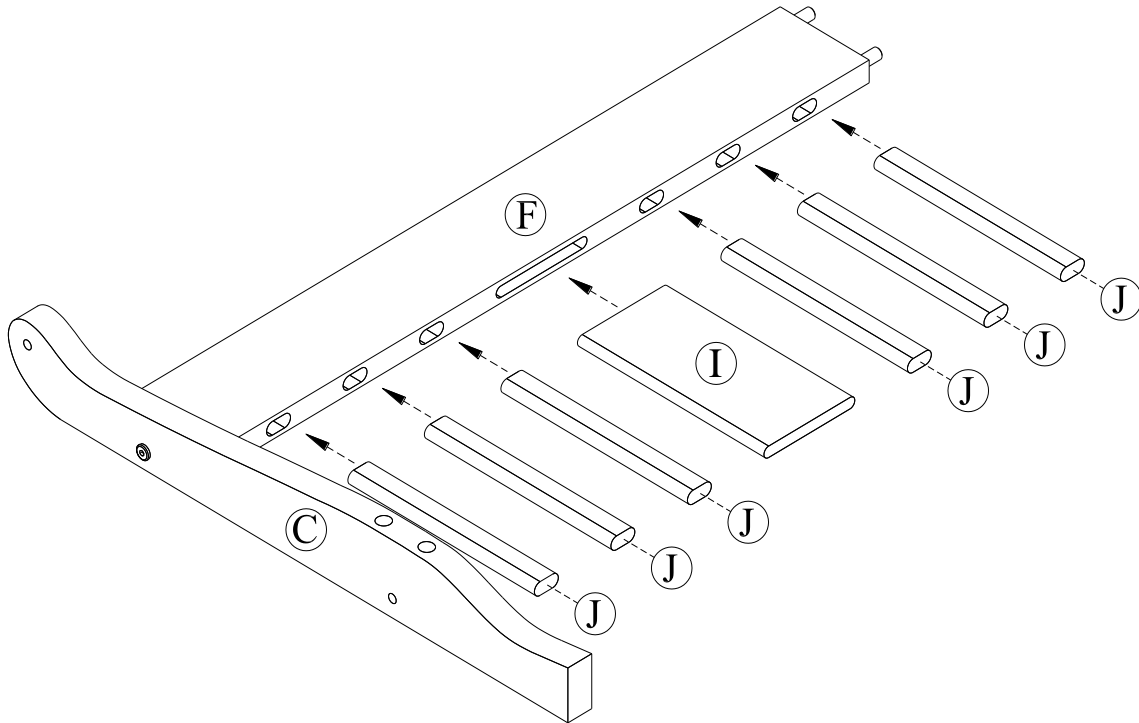
Insert wood dowels (5) into ends of top cross (F).

Attach the left footboard post (C) to the top cross (F) using hex socket head bolt (1) as shown. Use Allen Key (4) to tighten the bolt.

NOTE: Do not fully tighten bolt. This will facilitate assembly in the following steps.

TODDLER BED

WM1646RWN / WM1646RC / WM1646RN / WM1646RW / WM1646E

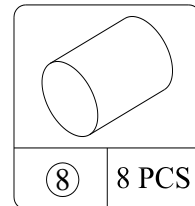
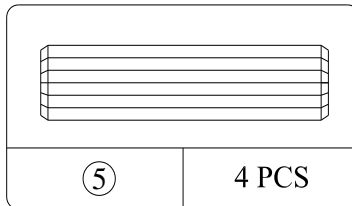
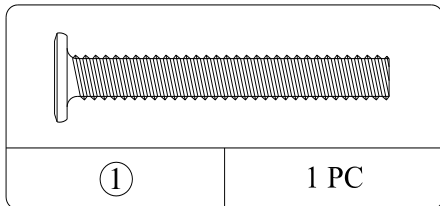
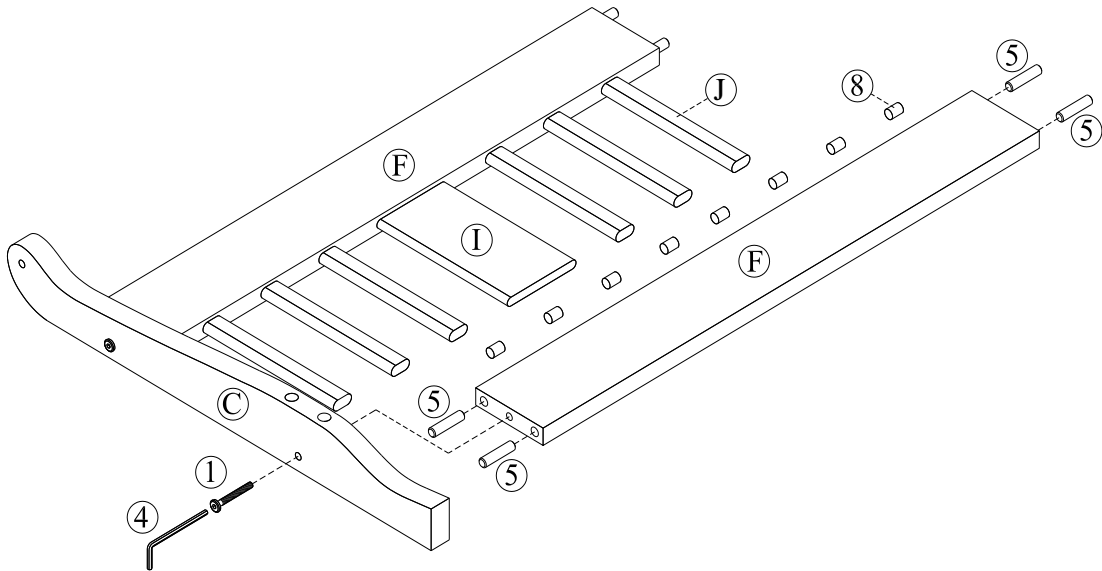


STEP 7

Insert wide footboard slat (I) and narrow footboard slats (J) into the holes of the top cross (F). Push the footboard slats up and to secure them in place.

TODDLER BED

WM1646RWN / WM1646RC / WM1646RN / WM1646RW / WM1646E



Insert wood

Insert wood dowels (5) into ends of the bottom cross (F).

Insert stoppers (8) into the holes of the bottom cross (F).

Insert the bottom cross (F) to the left footboard post (C).

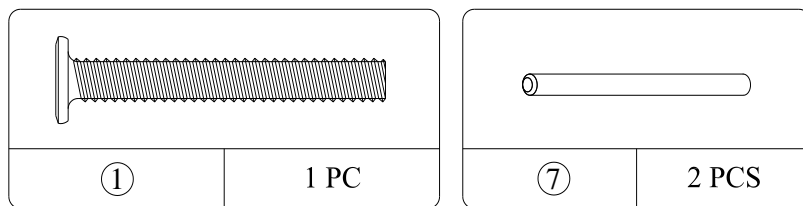
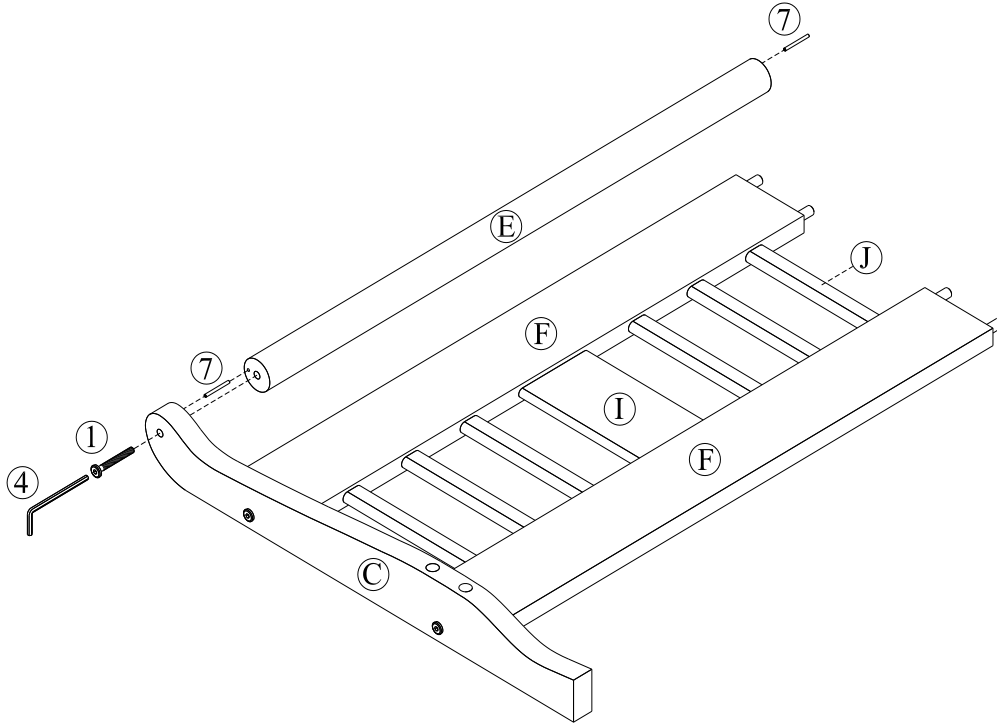
Insert the wide footboard slat (I) and narrow footboard slats (J) into the holes of the bottom cross (F).

Secure the bottom cross (F) to the left footboard post (C) using hex socket head bolt (1). Use Allen Key (4) to tighten the bolt.

NOTE: Do not fully tighten bolt. This will facilitate assembly in the following steps.

TODDLER BED

WM1646RWN / WM1646RC / WM1646RN / WM1646RW / WM1646E



STEP 9

Insert metal dowels (7) into ends of cylinder (E).

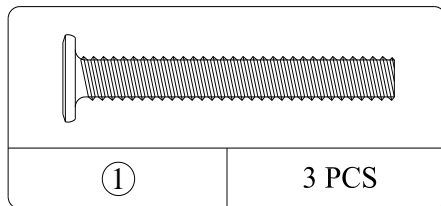
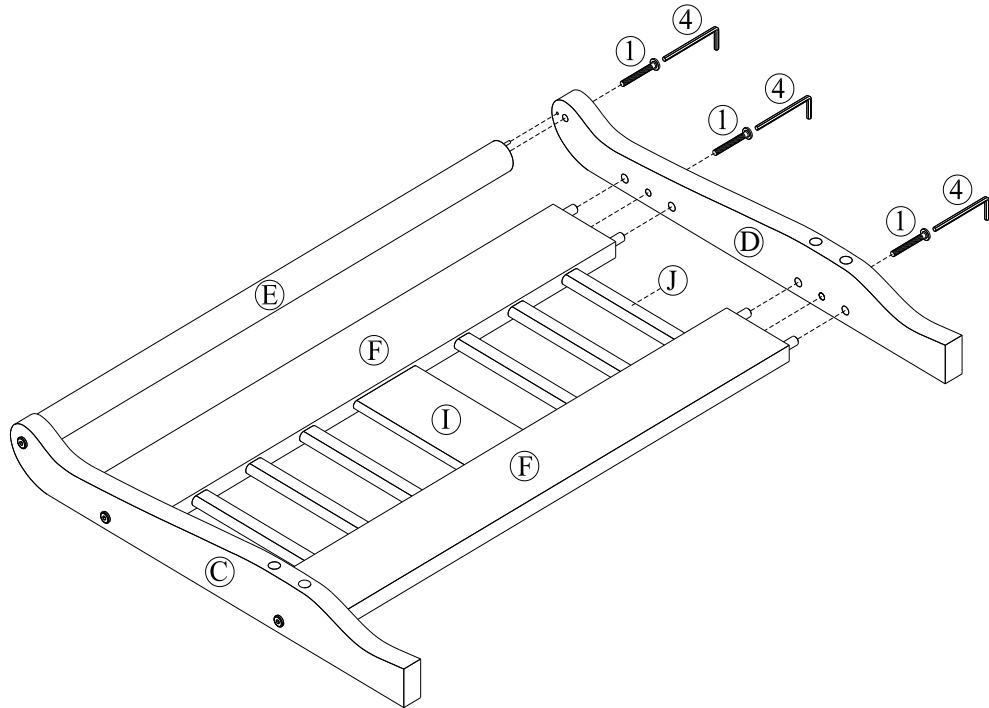
Attach cylinder (E) to the left footboard post (C) using hex socket head bolt (1) as shown.

Use Allen Key (4) to tighten the bolt.

NOTE: Do not fully tighten bolt. This will facilitate assembly in the following steps.

TODDLER BED

WM1646RWN / WM1646RC / WM1646RN / WM1646RW / WM1646E



STEP 10

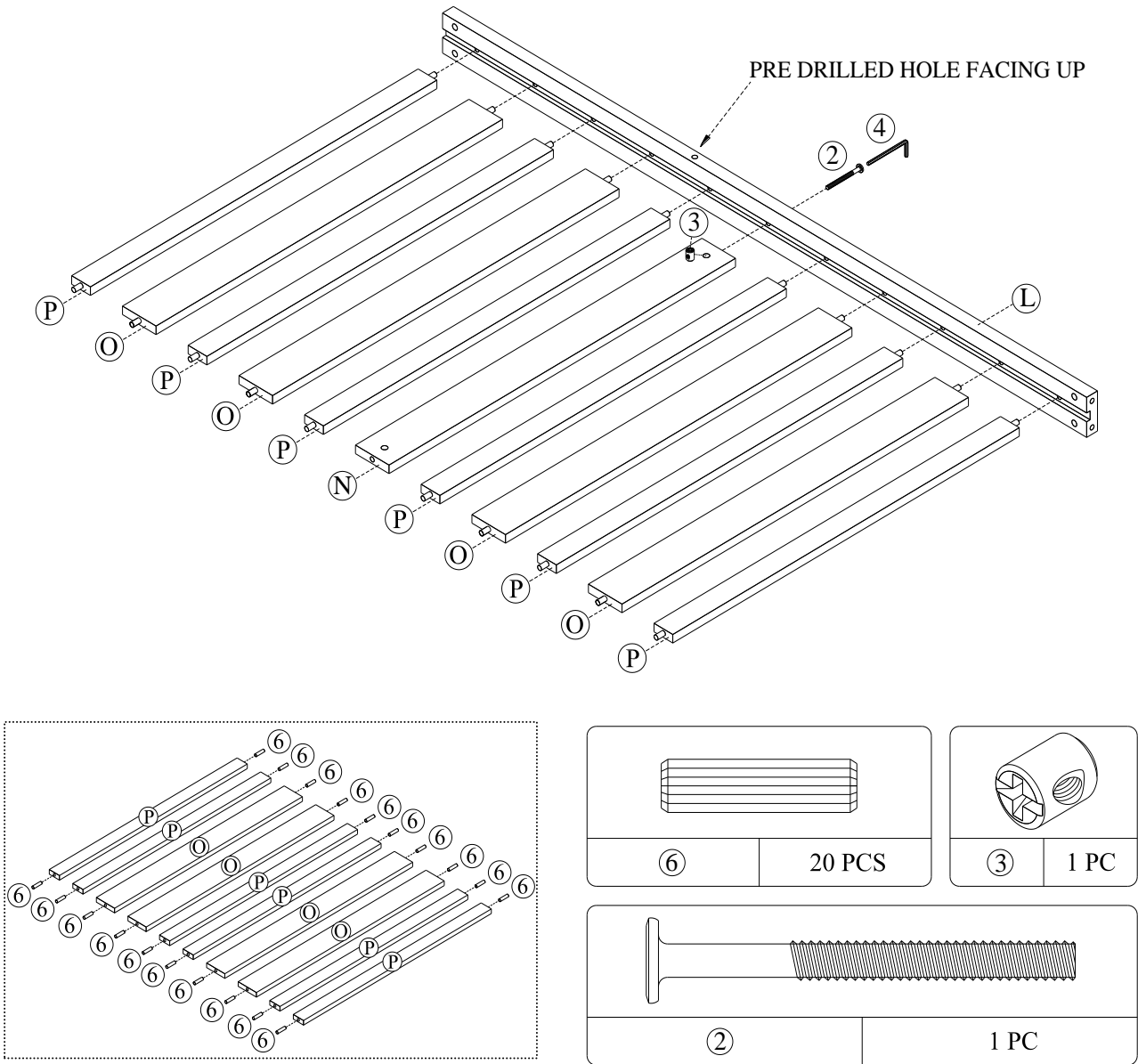
Attach the right footboard post (D) to the top & bottom cross (F) and cylinder (E) using hex socket head bolt (1) as shown. Use Allen Key (4) to tighten the bolts.

NOTE: Do not fully tighten bolts. This will facilitate assembly in the following steps.

You have finished assembling the footboard of the toddler bed.

TODDLER BED

WM1646RWN / WM1646RC / WM1646RN / WM1646RW / WM1646E



STEP 11

Insert wood dowels (6) into ends of the wide support slats (O) and narrow support slats (P) as shown.

Insert barrel nut (3) into the hole on the wide surface of center support slat (N). Ensure the barrel nut (3) is flush with center support slat (N).

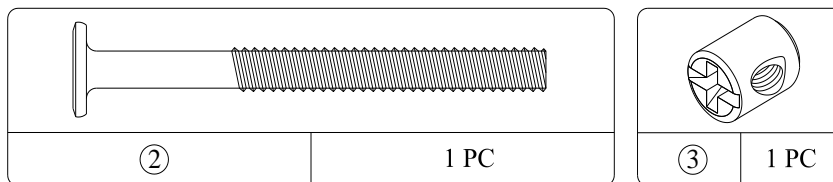
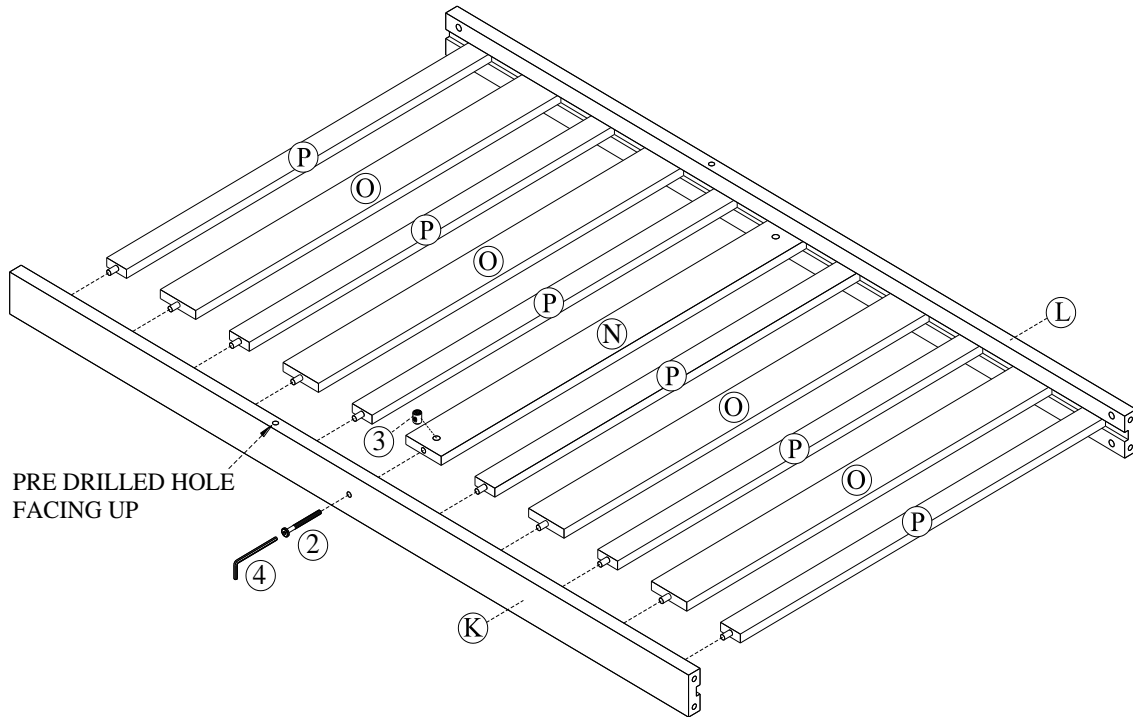
Attach the center support slat (N) to the right side rail (L) by inserting hex socket head bolt (2) through the right side rail (L) and into the barrel nut (3). Use Allen Key (4) to tighten the bolt.

NOTE: The barrel nut (3) can be rotated using a screwdriver (not included) to properly align with the bolt coming through the side rail.

Insert the wide support slats (O) and narrow support slats (P) into the grooves of the right side rail (L). Ensure the dowels in the slats go into the holes on the side rail.

TODDLER BED

WM1646RWN / WM1646RC / WM1646RN / WM1646RW / WM1646E



STEP 12

Insert barrel nut (3) into the hole on the wide surface of center support slat (N). Ensure the barrel nut(3) is flush with center support slat (N).

Attach the left side rail (K) to the wide support slat (O) and narrow support slat (P).

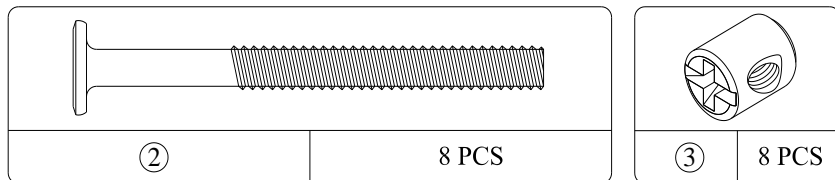
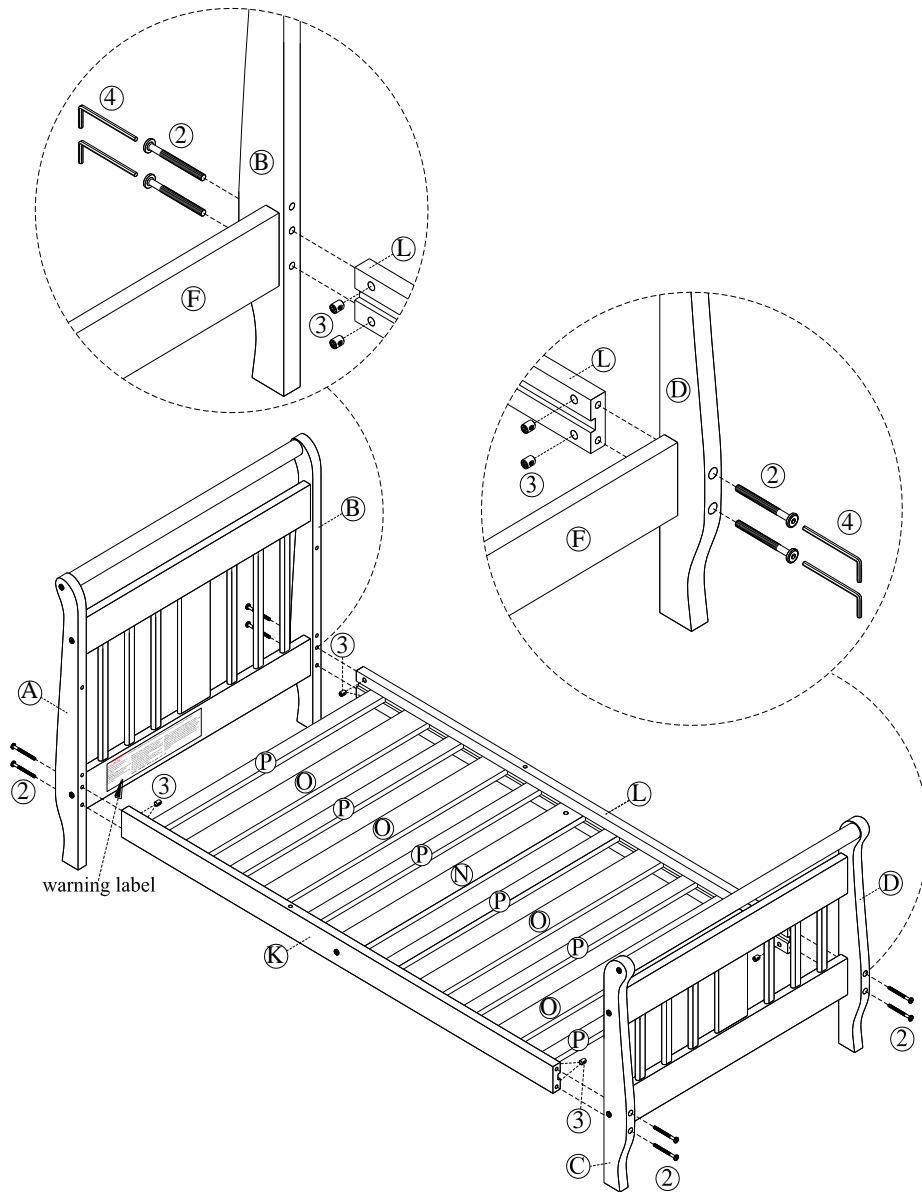
Insert hex socket head bolt (2) through the left side rail (K) into the barrel nut (3) previously installed in wide support slat (N).

Use Allen Key (4) to fully tighten the bolt.

NOTE: The barrel nut (3) can be rotated using a screwdriver (not included) to properly align with the bolt coming through the side rail.

TODDLER BED

WM1646RWN / WM1646RC / WM1646RN / WM1646RW / WM1646E



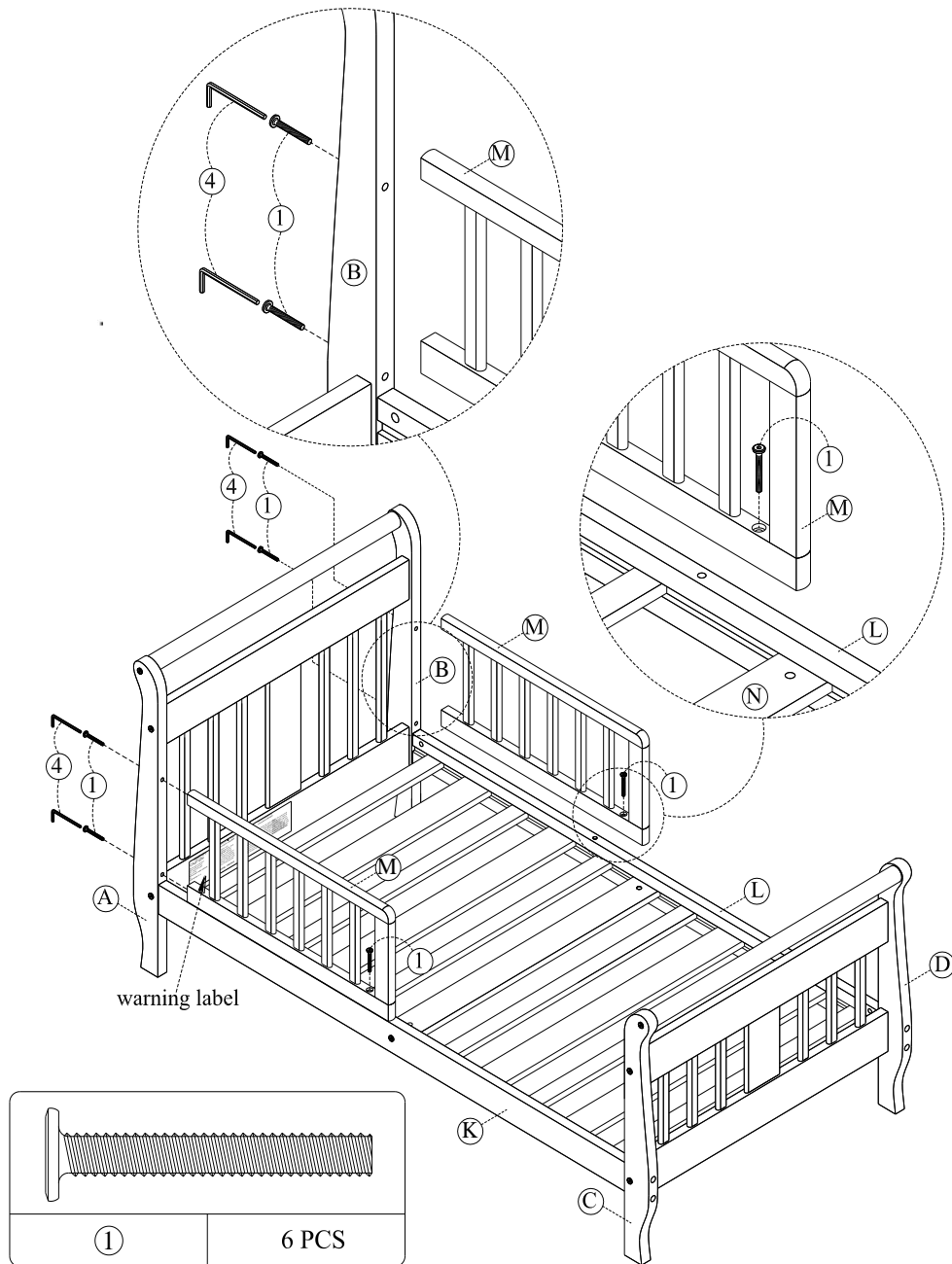
STEP 13

Insert barrel nuts (3) into both ends of the left and right side rail (K & L).
Attach the headboard and footboard to the left and right side rail (K & L) by threading hex socket head bolts (2) through the headboard post (A & B) and footboard post (C & D).
Use Allen key (4) to install bolts.

NOTE: Do not fully tighten bolts. This will facilitate assembly in the following steps.

TODDLER BED

WM1646RWN / WM1646RC / WM1646RN / WM1646RW / WM1646E



STEP 14

Attach the guardrails (M) to the headboard post (A & B) with hex socket head bolts (1). Attach the guardrails (M) to the left and right side rails (K & L) with hex socket head bolts (1) as shown. Use Allen key (4) to tighten bolts.

NOTE: Fully tighten all bolts installed in previous steps.

That's it ! You've finished assembling your toddler bed.

MODEL #: WM1646RWN / WM1646RC / WM1646RN / WM1646RW / WM1646E

Customer Service

PLEASE DO NOT RETURN THIS PRODUCT TO THE STORE

PLEASE CONTACT CUSTOMER SERVICE REPRESENTATIVES AT THE FOLLOWING NUMBERS SHOULD THERE BE ANY MISSING OR DEFECTIVE PART(S).

Customer Service Phone Number 1-800-295-1980	Email: das@dorel.com
Customer Service Fax Number 514-353-7819	

Request Date:

Name:

Shipping Address:

Street & Number:

City & State:

Zip Code:

Day Time Phone Number:

(including area code)

Date & Place of Purchase:

Part(s) description and quantity: (Please be sure to list model number or SKN number)

Customer Service Representative Mailing Address:
Customer Service Department No. 413, 12345 Albert-Hudon Boulevard, Suite 100, Montreal, QC, Canada, H1G 3L1