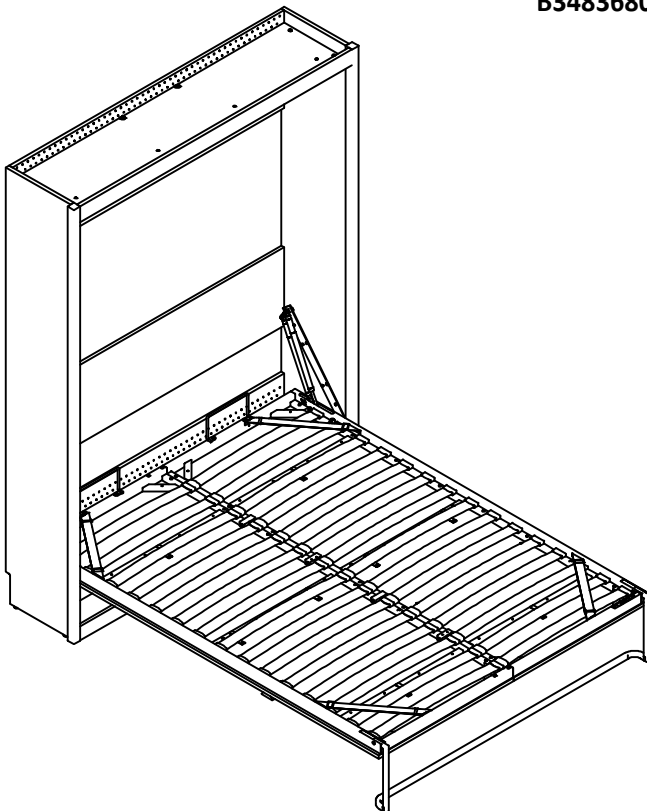
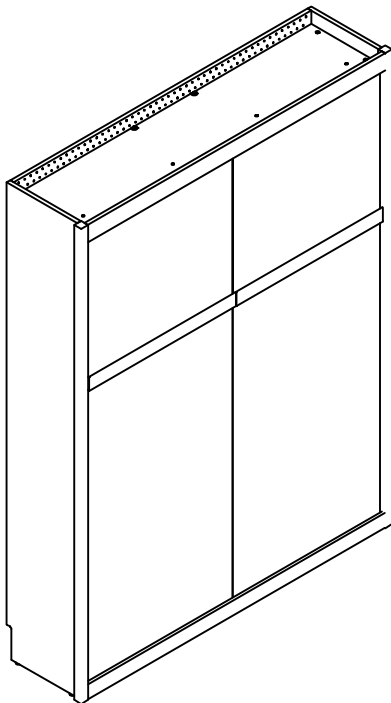


- 8368220COMS (Raven Oak)
- 8368222COMS (Columbia Walnut)
- 8368335COMS (Nightfall Oak)
- 8368341COMS (Magnolia Oak)
- 8368344COMS (Silverton Oak)
- 8368356COMS (Monterey Oak)
- 8368900COMS (Centralia Oak)

Queen Wall Bed

B348368000COMS0

Date of Purchase ___ / ___ / ___
 Lot Number:



THIS INSTRUCTION BOOKLET CONTAINS **WARNINGS** AND **PRODUCT SAFETY** INFORMATION. DO NOT PROCEED WITHOUT REVIEWING THOROUGHLY. FOR ANY QUESTIONS, CONTACT CUSTOMER SERVICE.

Do Not Return This Product!

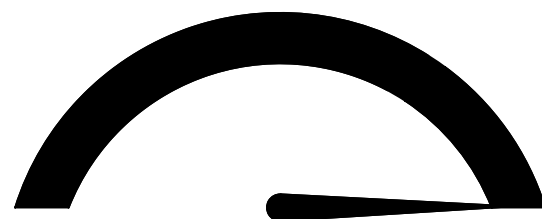
Contact our customer service team for help first.

Call: 1-800-489-3351 (toll free)

Visit: www.dorelhome.com

to view the limited warranty valid
 in the U.S. and Canada.

Difficulty Meter



Easy

Professional
 (see page 2)

Part 1 - Installation

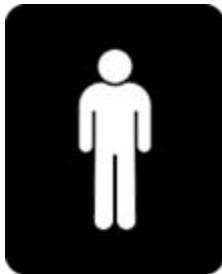
⚠️ WARNING

PROFESSIONAL INSTALLATION IS REQUIRED

This product can detach from the wall and cause severe injury and death if not properly attached. **Professional installation is required.**



+



- Installation steps will require the use of one professional and one other person to assist.

- The second person must be able to lift wall bed components and hold them in position while the professional installs hardware.

- Professional must have experience installing kitchen cabinetry or installing wall-mounted TVs in the type of wall present in the home (wood or metal stud, or concrete).

- Furniture installers and general handymen may not have the expertise required to correctly install the bed.

- Before engaging with or hiring someone to perform the installation, ensure you validate they have the above required experience. Should you need assistance locating a service, go to <https://helpcenter.ameriwoodhome.com/>

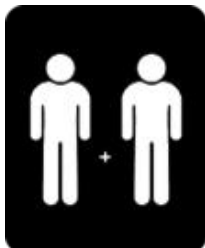
Part 2 - Assembly



+



OR



- Assembly steps require the use of two people who must be able to lift and secure bed pieces together with hardware:

- You may continue to use the Professional and a second person, or

- Use two people who have experience assembling ready to assemble furniture.

WARNING!

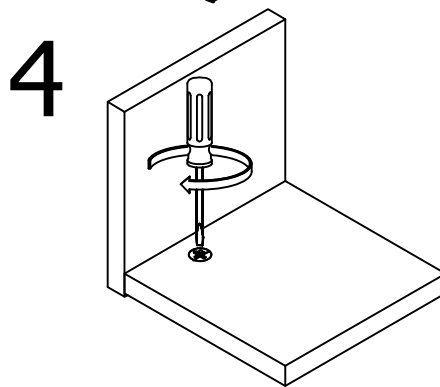
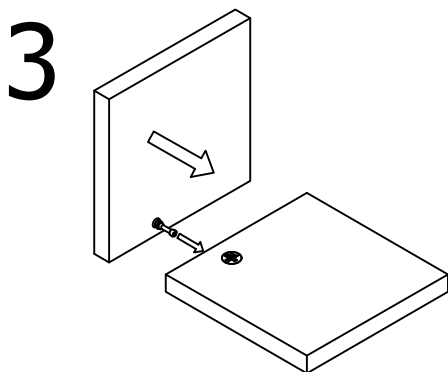
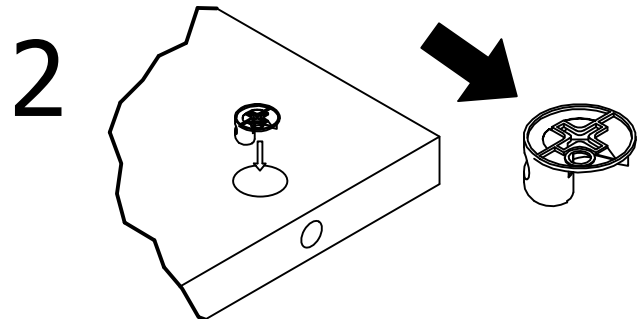
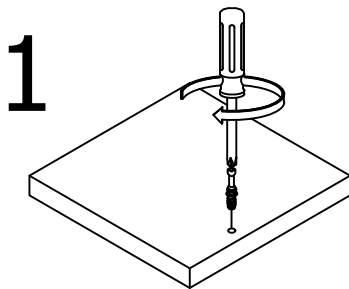
- Not intended to be used by children under the age of 6.
- To prevent injury and damage to this unit, PROHIBIT jumping and horseplay.
- This product is not intended to be moved, modified, uninstalled or disassembled once professionally installed.
- This product is designed for home use and not intended for commercial use.

Before You Start

- ✓ Read through each step carefully and follow the proper order.
- ✓ Separate and count all your parts and hardware before attempting assembly.
Parts are labeled on the surface or edge of the part
- ✓ Open your item in an area you plan to keep it. Give yourself enough room for the installation and assembly process.
- ✓ Make sure to always face the point on the top of the Cam Lock towards the outer edge.
- ✓ Never push, pull or drag your furniture. Do not use harsh chemicals or abrasive cleaners on this item.
- ✓ Have the following tools: #2 Phillips Head Screwdriver, Hammer, Level, Stud Finder, Pencil, Step Ladder, Rubber Mallet and a Drill with 1/8" and 1/4" bits
- ✓ **Caution:** If using a power drill or power screwdriver for screwing, please be aware to slow down and stop when screw is tight. Reduce torque setting to a lower level so the drill will skip when the screw is tight. Failure to do so may result in stripping the screw.

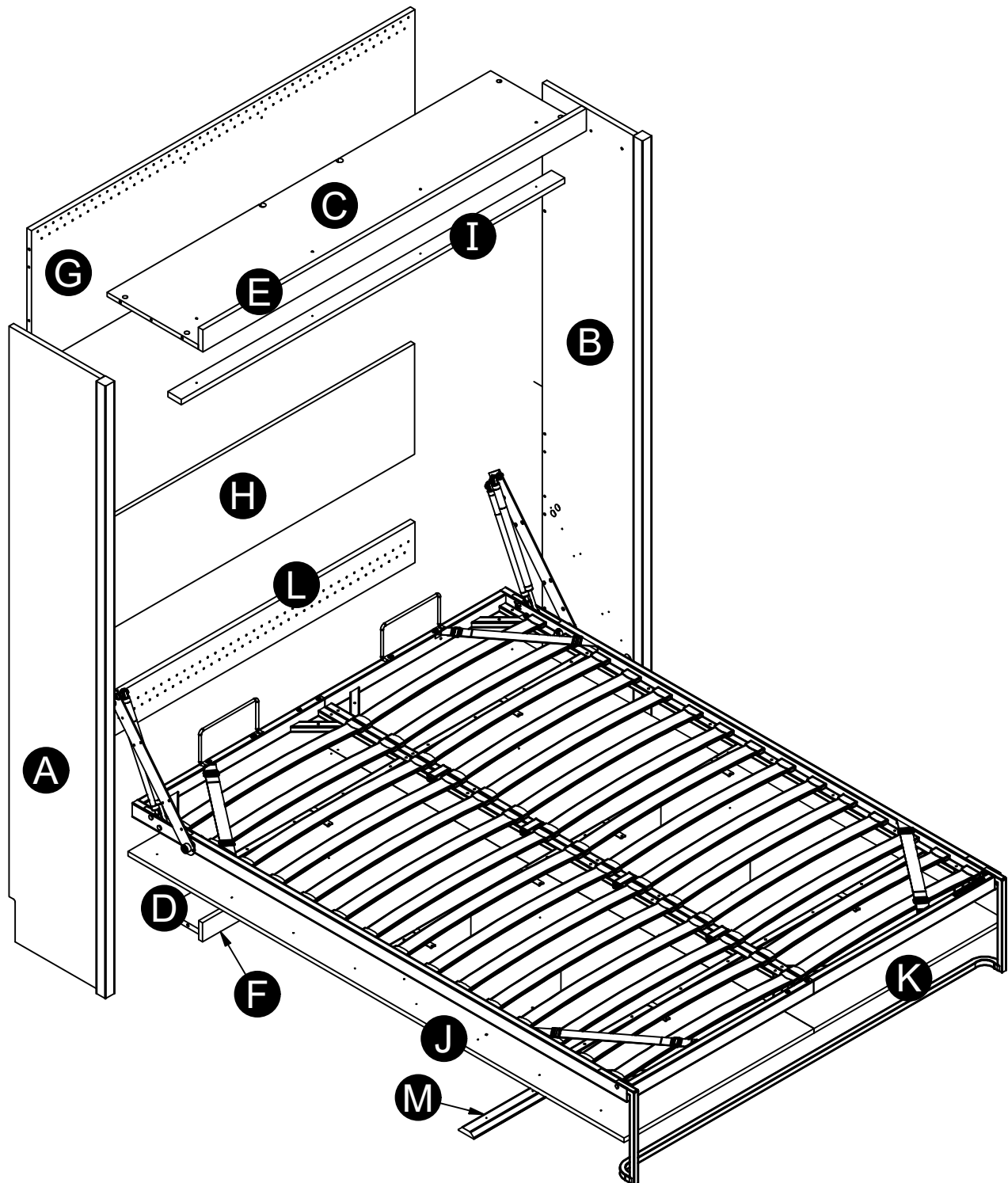
Cam Lock Fastening System

This Cam Lock Fastening System will be used throughout the installation and assembly process.



Board Identification

Not actual size



Board Identification

parts for 8368220COMS (Raven Oak)

Parts List			
ITEM	QTY	PART NUMBER	DESCRIPTION
A	1	38368220011	LEFT PANEL ASM
B	1	38368220021	RIGHT PANEL ASM
C	1	38368220031	TOP
D	1	38368220041	BOTTOM
E	1	38368220051	VALANCE
F	1	38368220061	KICK
G	1	38368220072	UPPER BACK PANEL
H	1	38368220081	LOWER BACK PANEL
I	1	38368220091	STOP RAIL
J	2	38368220100	LEFT DOOR PANEL
K	2	38368220110	RIGHT DOOR PANEL
L	1	38368220122	BOTTOM STRINGER
M	2	38368220130	HANDLE MOLDING

parts for 8368222COMS (Columbia Walnut)

Parts List			
ITEM	QTY	PART NUMBER	DESCRIPTION
A	1	38368222011	LEFT PANEL ASM
B	1	38368222021	RIGHT PANEL ASM
C	1	38368222031	TOP
D	1	38368222041	BOTTOM
E	1	38368222051	VALANCE
F	1	38368222061	KICK
G	1	38368222072	UPPER BACK PANEL
H	1	38368222081	LOWER BACK PANEL
I	1	38368222091	STOP RAIL
J	1	38368222100	LEFT DOOR PANEL
K	1	38368222110	RIGHT DOOR PANEL
L	1	38368222122	BOTTOM STRINGER
M	2	38368222130	HANDLE MOLDING

parts for 8368335COMS (Nightfall Oak)

Parts List			
ITEM	QTY	PART NUMBER	DESCRIPTION
A	1	38368335011	LEFT PANEL ASM
B	1	38368335021	RIGHT PANEL ASM
C	1	38368335031	TOP
D	1	38368335041	BOTTOM
E	1	38368335051	VALANCE
F	1	38368335061	KICK
G	1	38368335072	UPPER BACK PANEL
H	1	38368335081	LOWER BACK PANEL
I	1	38368335091	STOP RAIL
J	2	38368335100	LEFT DOOR PANEL
K	2	38368335110	RIGHT DOOR PANEL
L	1	38368335122	BOTTOM STRINGER
M	2	38368335130	HANDLE MOLDING

parts for 8368341COMS (Magnolia Oak)

Parts List			
ITEM	QTY	PART NUMBER	DESCRIPTION
A	1	38368341011	LEFT PANEL ASM
B	1	38368341021	RIGHT PANEL ASM
C	1	38368341031	TOP
D	1	38368341041	BOTTOM
E	1	38368341051	VALANCE
F	1	38368341061	KICK
G	1	38368341072	UPPER BACK PANEL
H	1	38368341081	LOWER BACK PANEL
I	1	38368341091	STOP RAIL
J	2	38368341100	LEFT DOOR PANEL
K	2	38368341110	RIGHT DOOR PANEL
L	1	38368341122	BOTTOM STRINGER
M	2	38368341130	HANDLE MOLDING

Board Identification

parts for 8368344COMS (Silverton Oak)

Parts List			
ITEM	QTY	PART NUMBER	DESCRIPTION
A	1	38368344011	LEFT PANEL ASM
B	1	38368344021	RIGHT PANEL ASM
C	1	38368344031	TOP
D	1	38368344041	BOTTOM
E	1	38368344051	VALANCE
F	1	38368344061	KICK
G	1	38368344072	UPPER BACK PANEL
H	1	38368344081	LOWER BACK PANEL
I	1	38368344091	STOP RAIL
J	2	38368344100	LEFT DOOR PANEL
K	2	38368344110	RIGHT DOOR PANEL
L	1	38368344122	BOTTOM STRINGER
M	2	38368344130	HANDLE MOLDING

parts for 8368356COMS (Monterey Oak)

Parts List			
ITEM	QTY	PART NUMBER	DESCRIPTION
A	1	38368356011	LEFT PANEL ASM
B	1	38368356021	RIGHT PANEL ASM
C	1	38368356031	TOP
D	1	38368356041	BOTTOM
E	1	38368356051	VALANCE
F	1	38368356061	KICK
G	1	38368356072	UPPER BACK PANEL
H	1	38368356081	LOWER BACK PANEL
I	1	38368356091	STOP RAIL
J	2	38368356100	LEFT DOOR PANEL
K	2	38368356110	RIGHT DOOR PANEL
L	1	38368356122	BOTTOM STRINGER
M	2	38368356130	HANDLE MOLDING

parts for 8368900COMS (Centralia Oak)

Parts List			
ITEM	QTY	PART NUMBER	DESCRIPTION
A	1	38368900011	LEFT PANEL ASM
B	1	38368900021	RIGHT PANEL ASM
C	1	38368900031	TOP
D	1	38368900041	BOTTOM
E	1	38368900051	VALANCE
F	1	38368900061	KICK
G	1	38368900072	UPPER BACK PANEL
H	1	38368900081	LOWER BACK PANEL
I	1	38368900091	STOP RAIL
J	2	38368900100	LEFT DOOR PANEL
K	2	38368900110	RIGHT DOOR PANEL
L	1	38368900122	BOTTOM STRINGER
M	2	38368900130	HANDLE MOLDING

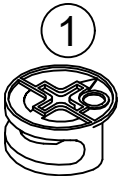
WARNING!

CHOKING HAZARD - Hardware bag contains small parts. Keep out of reach of children.

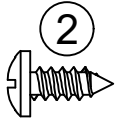
Part List

Note that your unit may contain extra hardware

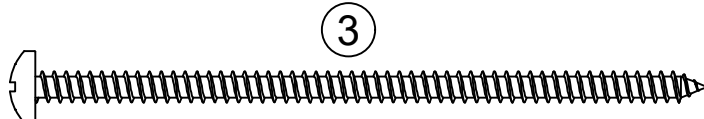
Actual Size



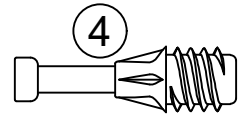
(x22)
#A22620
cam lock



(x16)
#A12105
#8 x 7/16" pan head



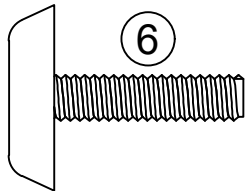
(x8)
#A13950
#8 x 3-1/2" pan head



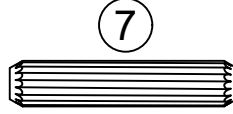
(x22)
#A22610
cam bolt



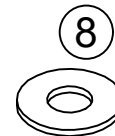
(x16)
#A12400
#8 x 5/8" flat head



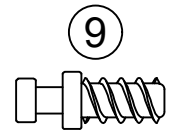
(x4)
#A43020
glide



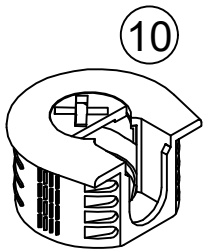
(x14)
#A21660
wood dowel



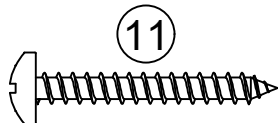
(x16)
#A25400
washer



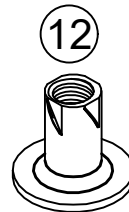
(x14)
#A22910
connector bolt



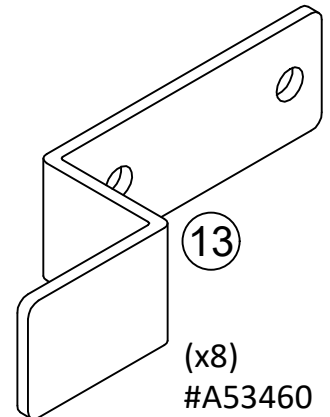
(x14)
#A22920
connector



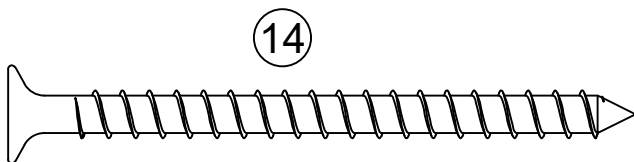
(x52)
#A13020
#8 x 1-1/4" pan head



(x4)
#A20330
nut



(x8)
#A53460
bracket

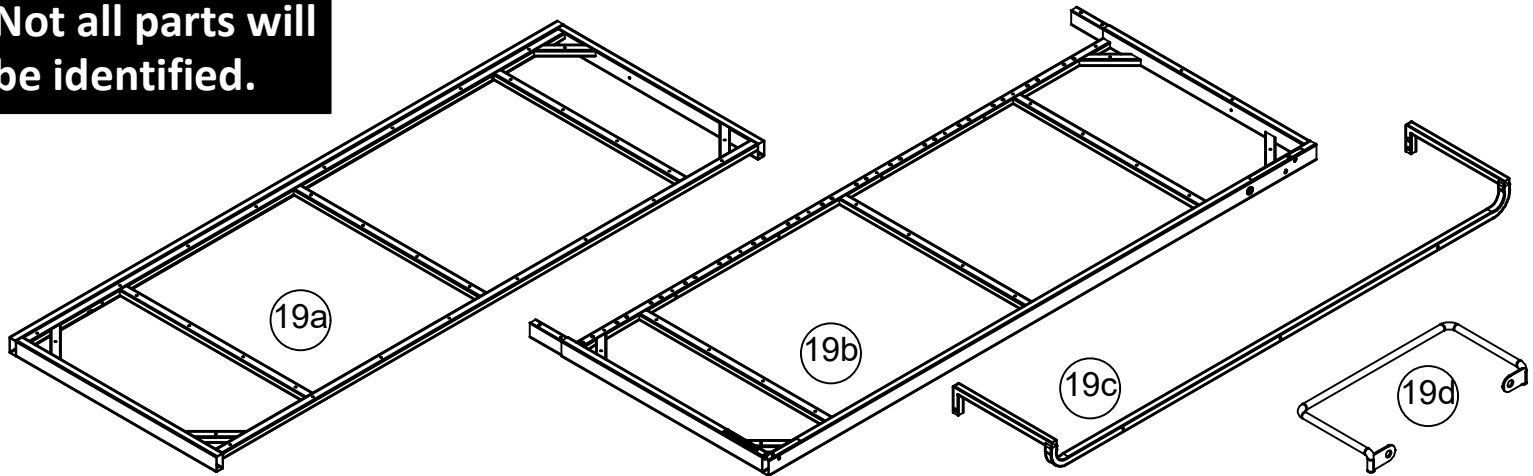


(x8)
#A15560
#3/16 x 3-1/4" flat head

Bed Frame Identification

Not Actual Size

Note:
Not all parts will
be identified.

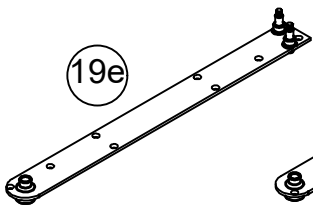


Left Assembly
9632096-19a

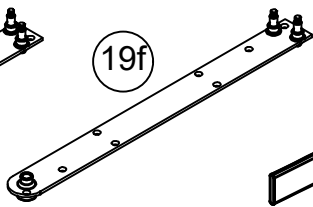
Right Assembly
9632096-19b

Leg
9632096-19c

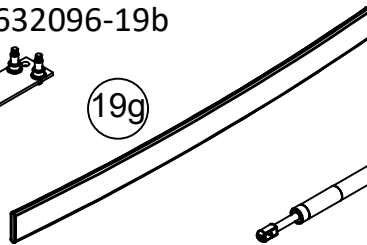
Mattress Holder (2)
9632096-19d



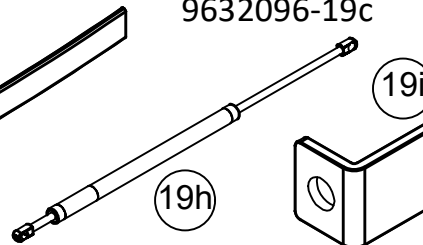
Left Pivot Arm
9632096-19e



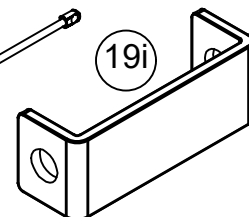
Right Pivot Arm
9632096-19f



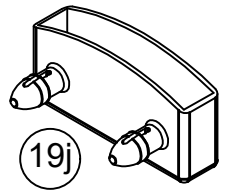
Wood Slat (30)
9632096-19g



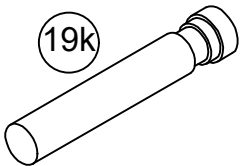
Gas Piston (4)
9632096-19h



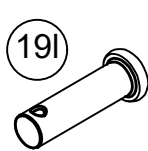
U-Bracket (4)
9632096-19i



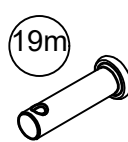
Plastic Cap (60)
9632096-19j



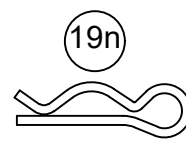
Pivot Pin (2)
9632096-19k



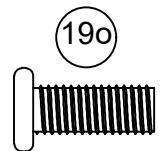
Large Clevis Pin (4)
9632096-19l



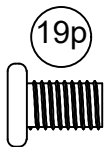
Small Clevis Pin (2)
9632096-19m



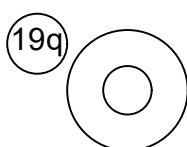
Cotter Pin (6)
9632096-19n



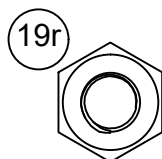
M6 x 16mm Bolt (12)
9632096-19o



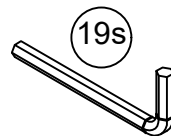
M6 x 10mm Bolt (6)
9632096-19p



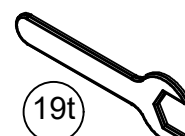
Washer (8)
9632096-19q



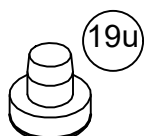
Hex Nut (4)
9632096-19r



4mm Hex Key
9632096-19s



Wrench
9632096-19t



Rubber Foot (3)
9632096-19u

Part 1 - Installation



Installation steps will require the use of one professional and one other person to assist. Installation steps will cover pages 10-35.



Professional is required for:

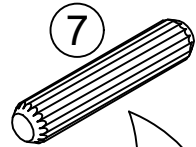
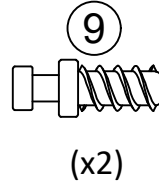
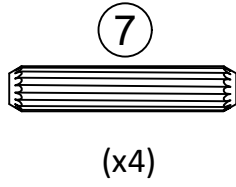
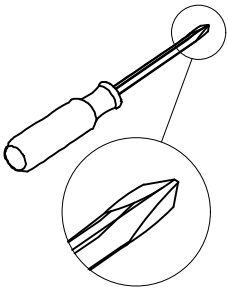
- all hardware fastening steps
- identifying wall structure and appropriate attachment hardware to use
- using selected hardware to attach the structure into the wall
- validating the structure is appropriately and securely attached



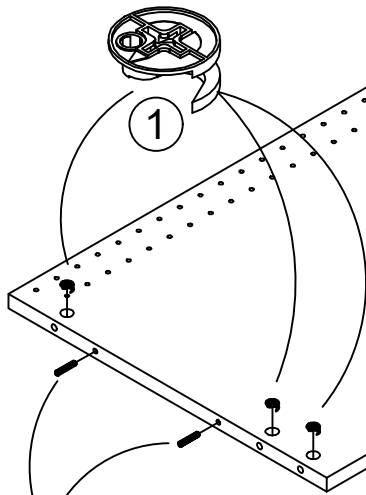
2nd Individual is needed for:

- lifting wall bed components and hold them in position while the professional installs

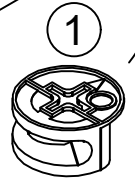
STEP 1



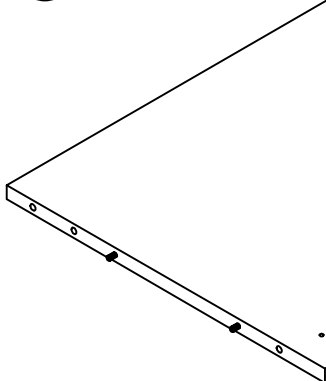
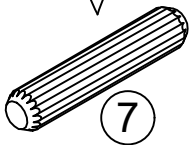
Proper orientation
of Cam Lock



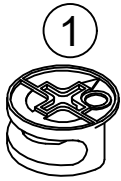
Proper orientation
of Cam Lock



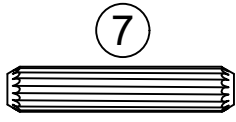
FLIP



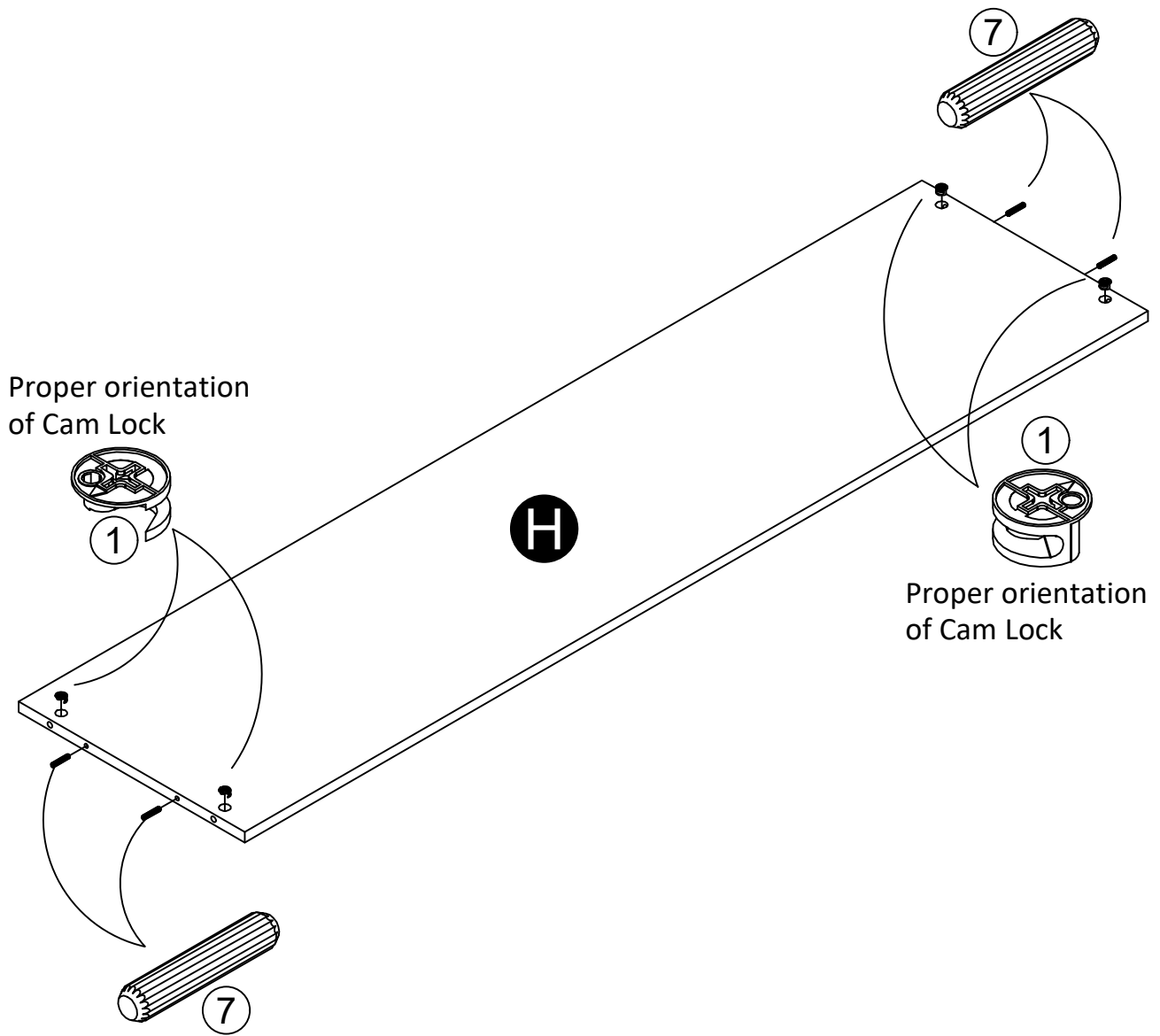
STEP 2



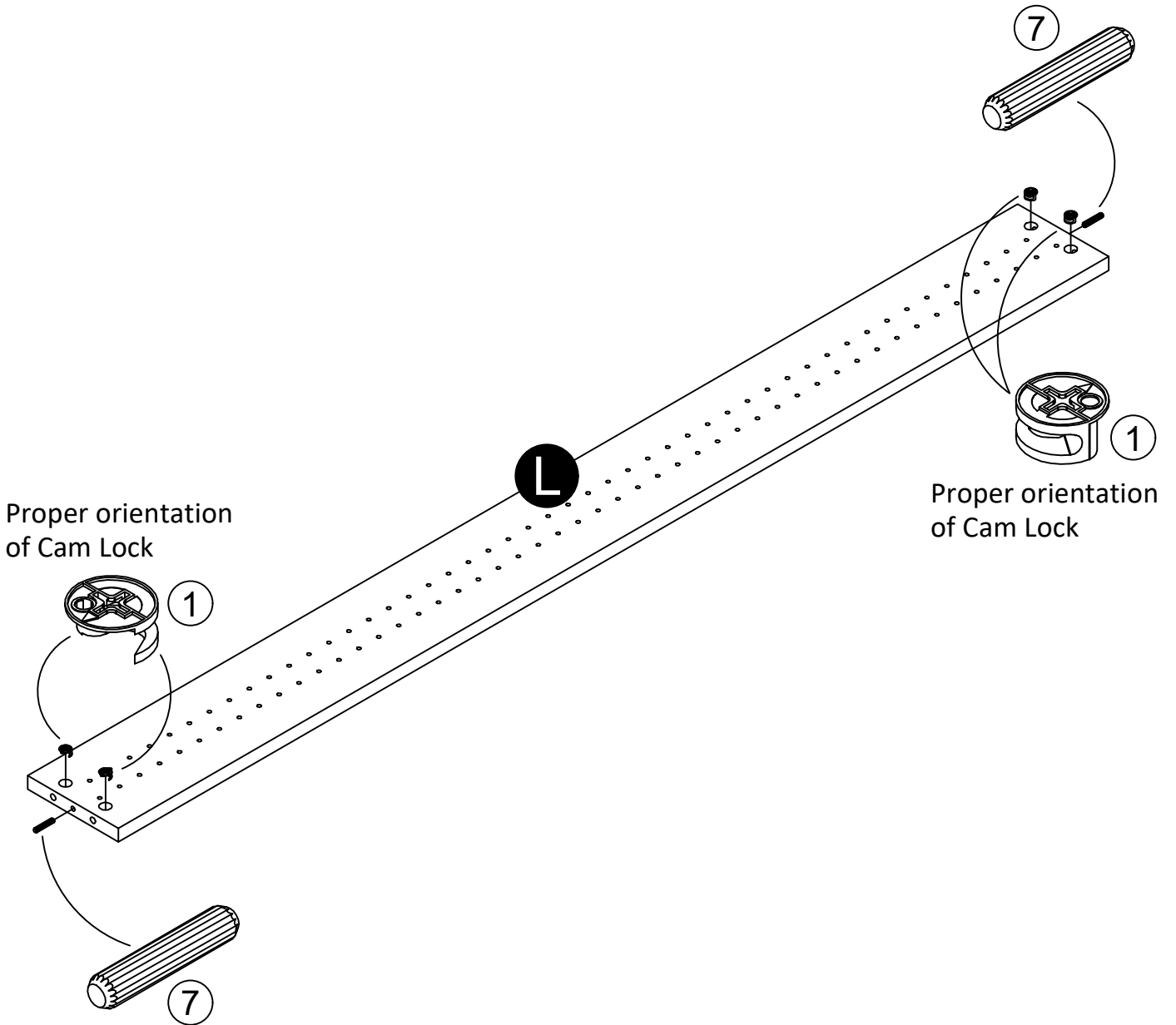
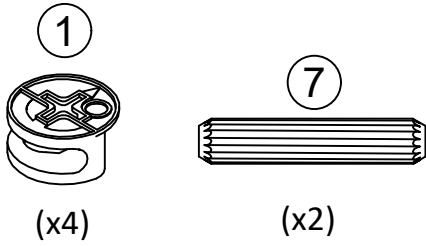
(x4)



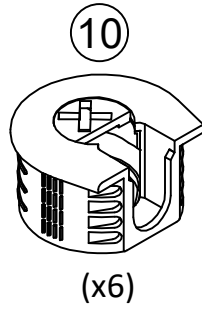
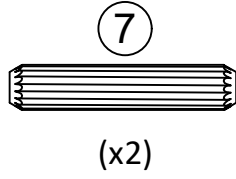
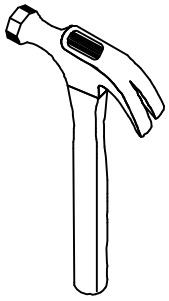
(x4)



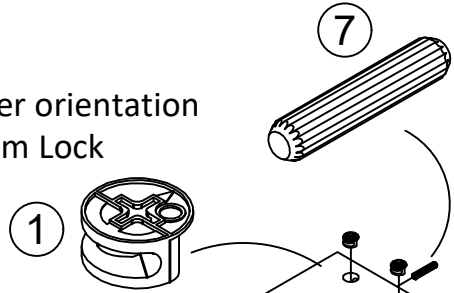
STEP 3



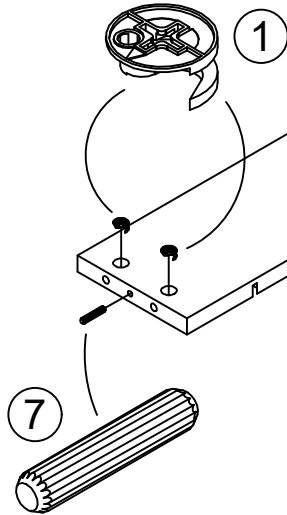
STEP 4



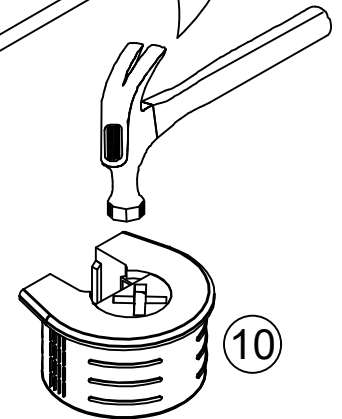
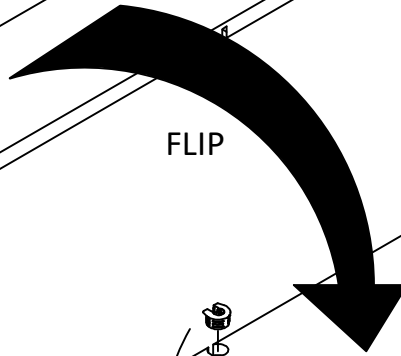
Proper orientation
of Cam Lock



Proper orientation
of Cam Lock

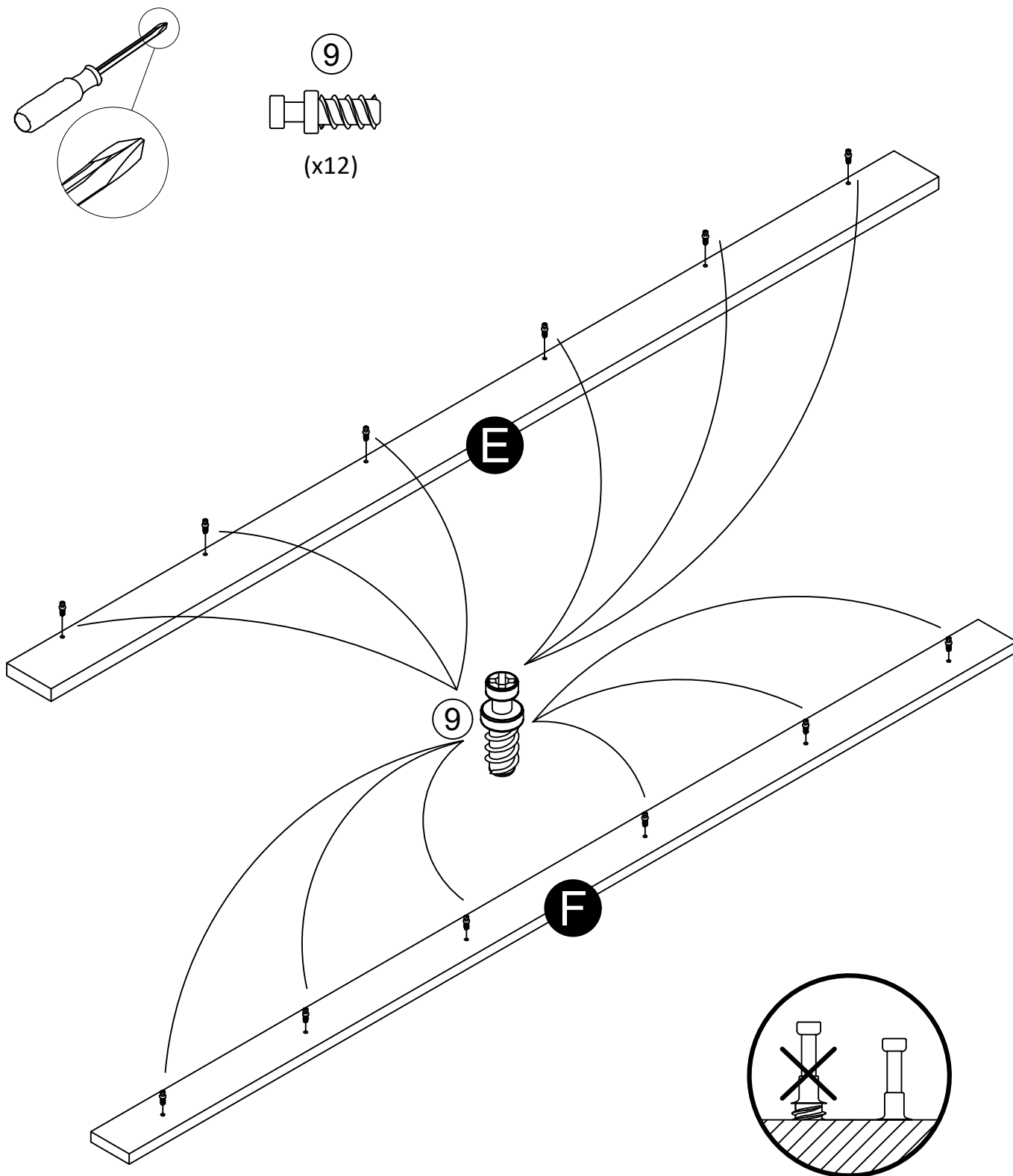


FLIP

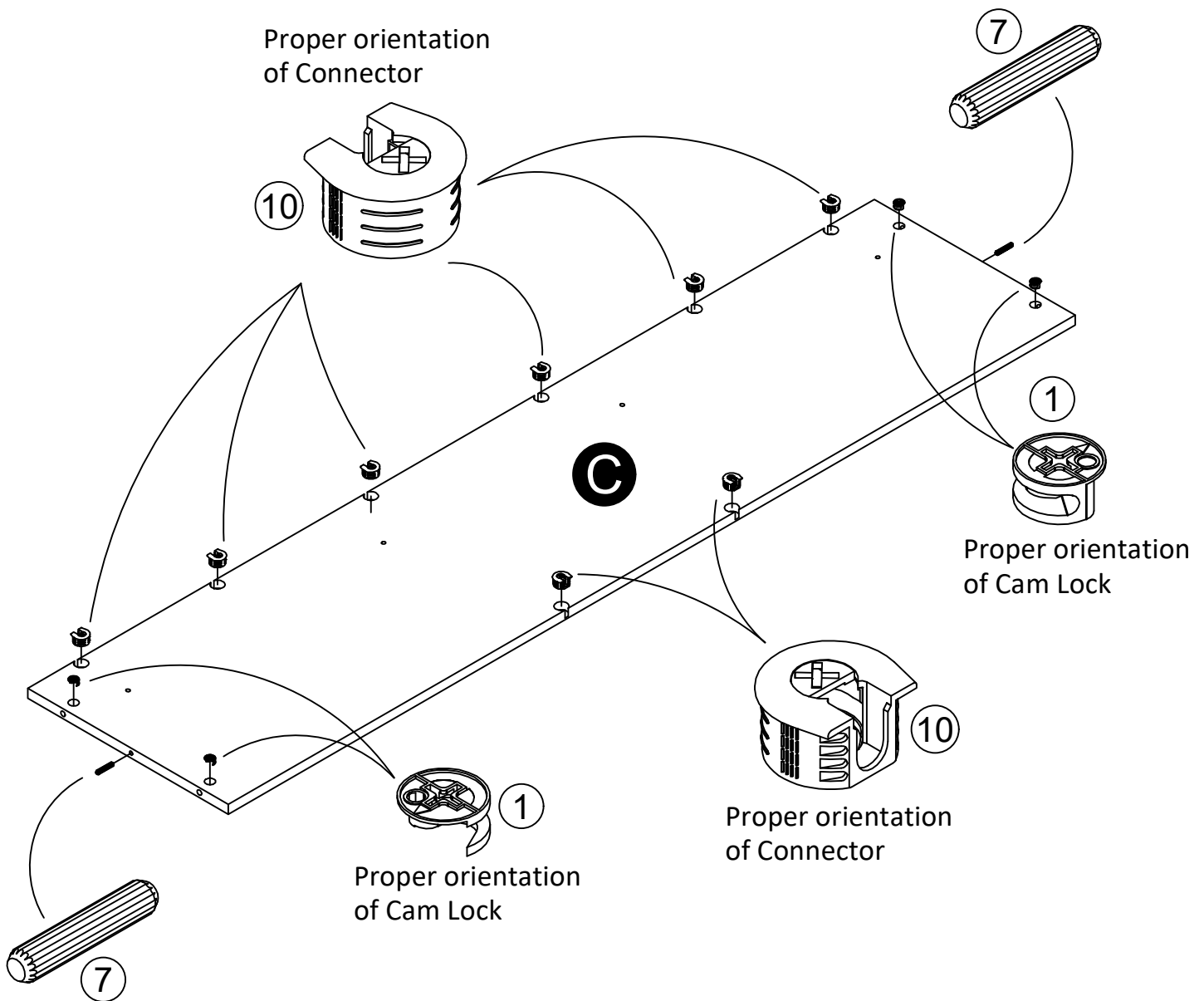
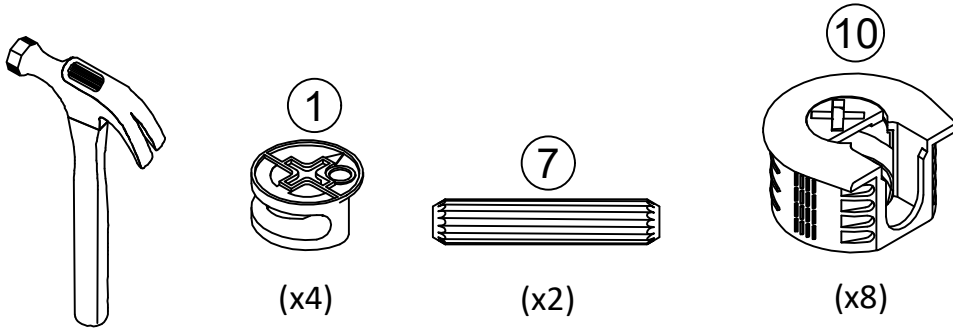


Proper orientation
of Connector

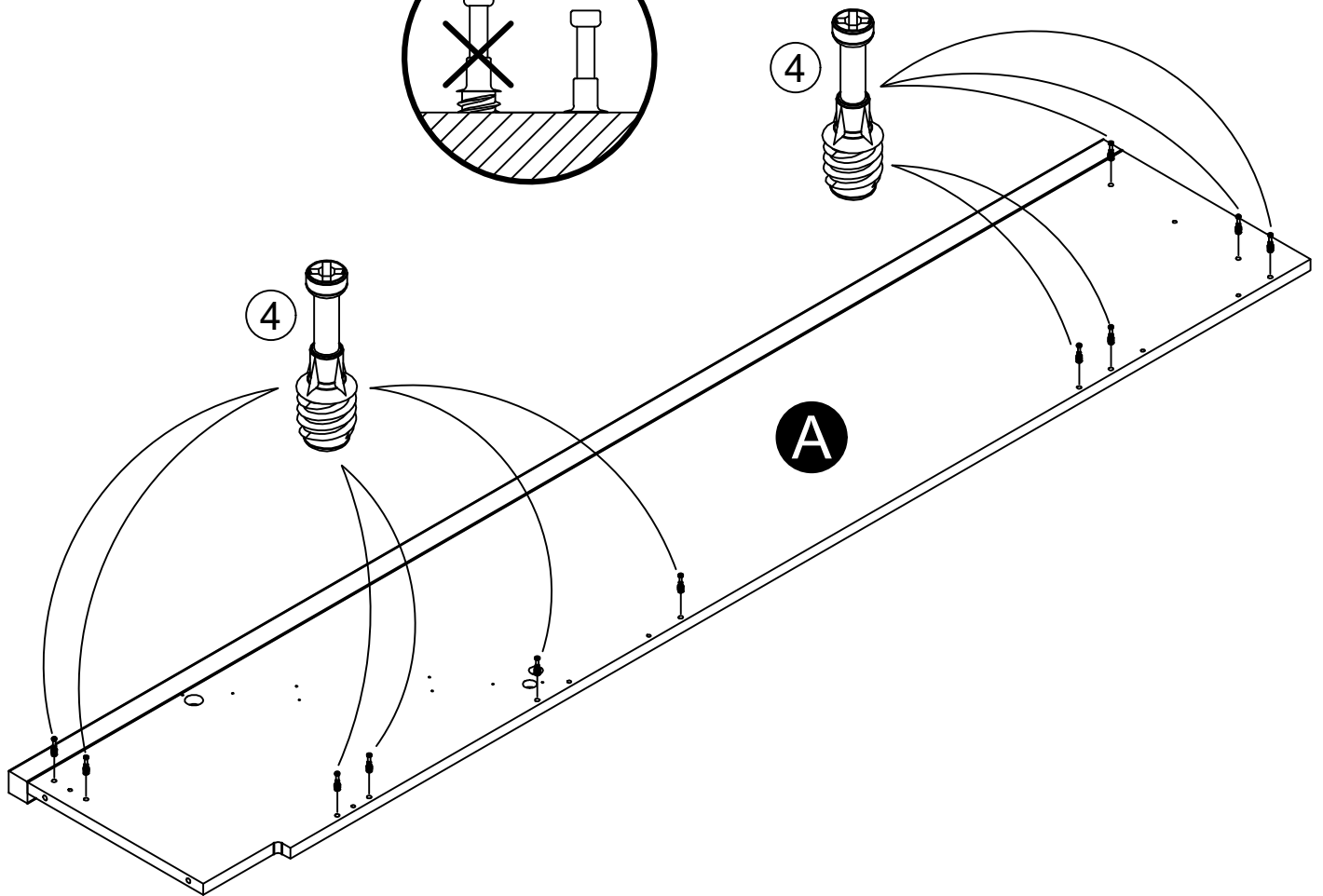
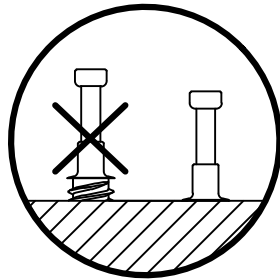
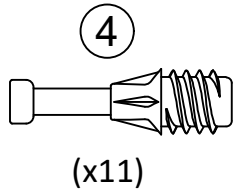
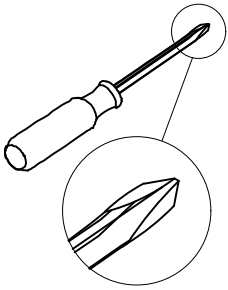
STEP 5



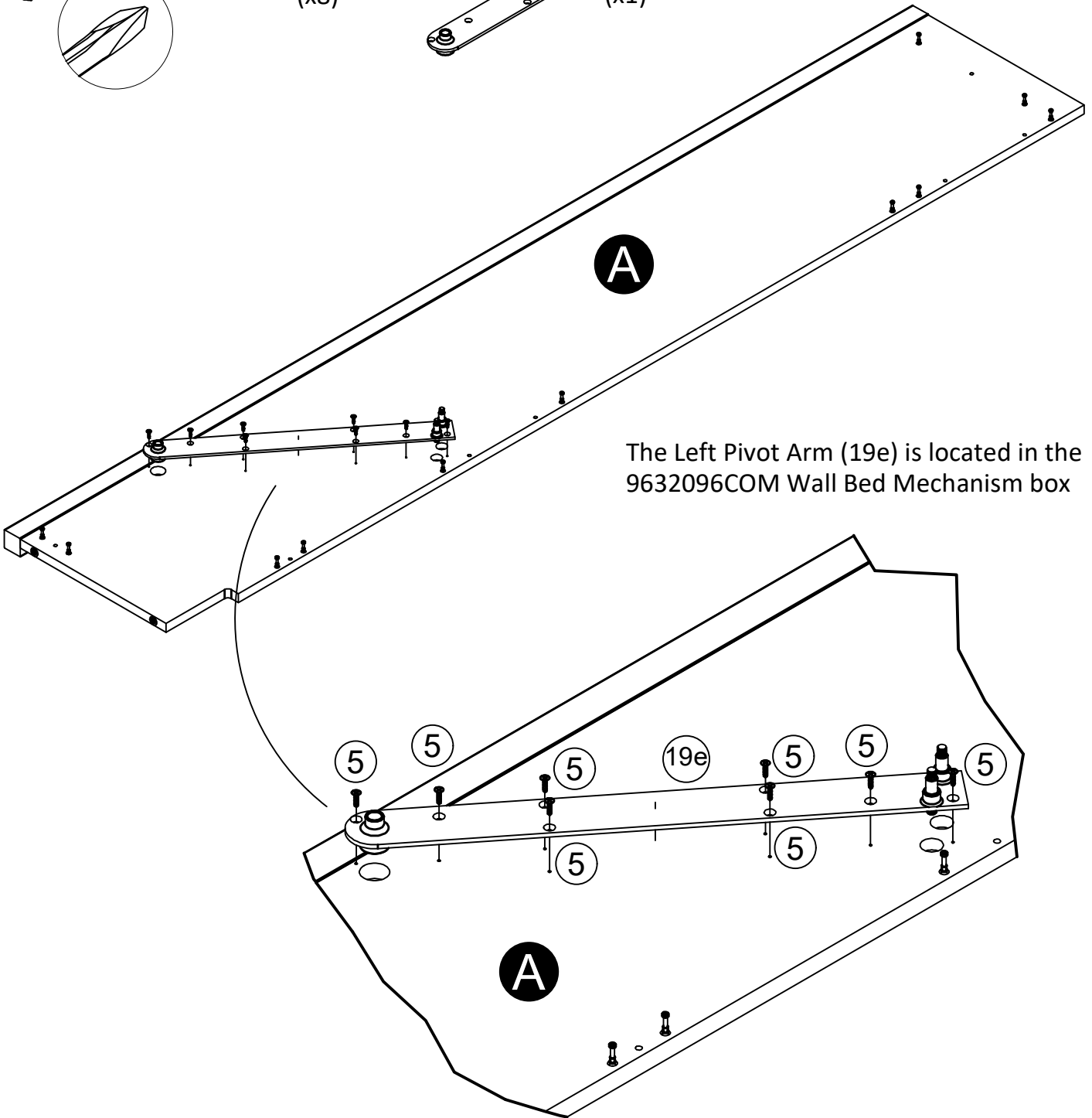
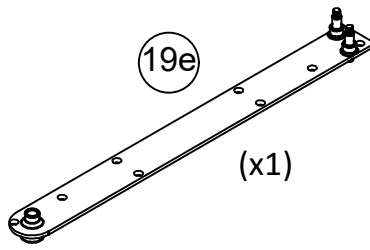
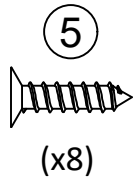
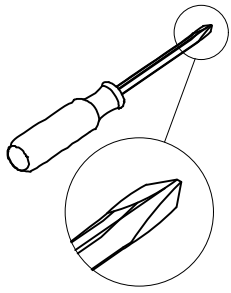
STEP 6



STEP 7

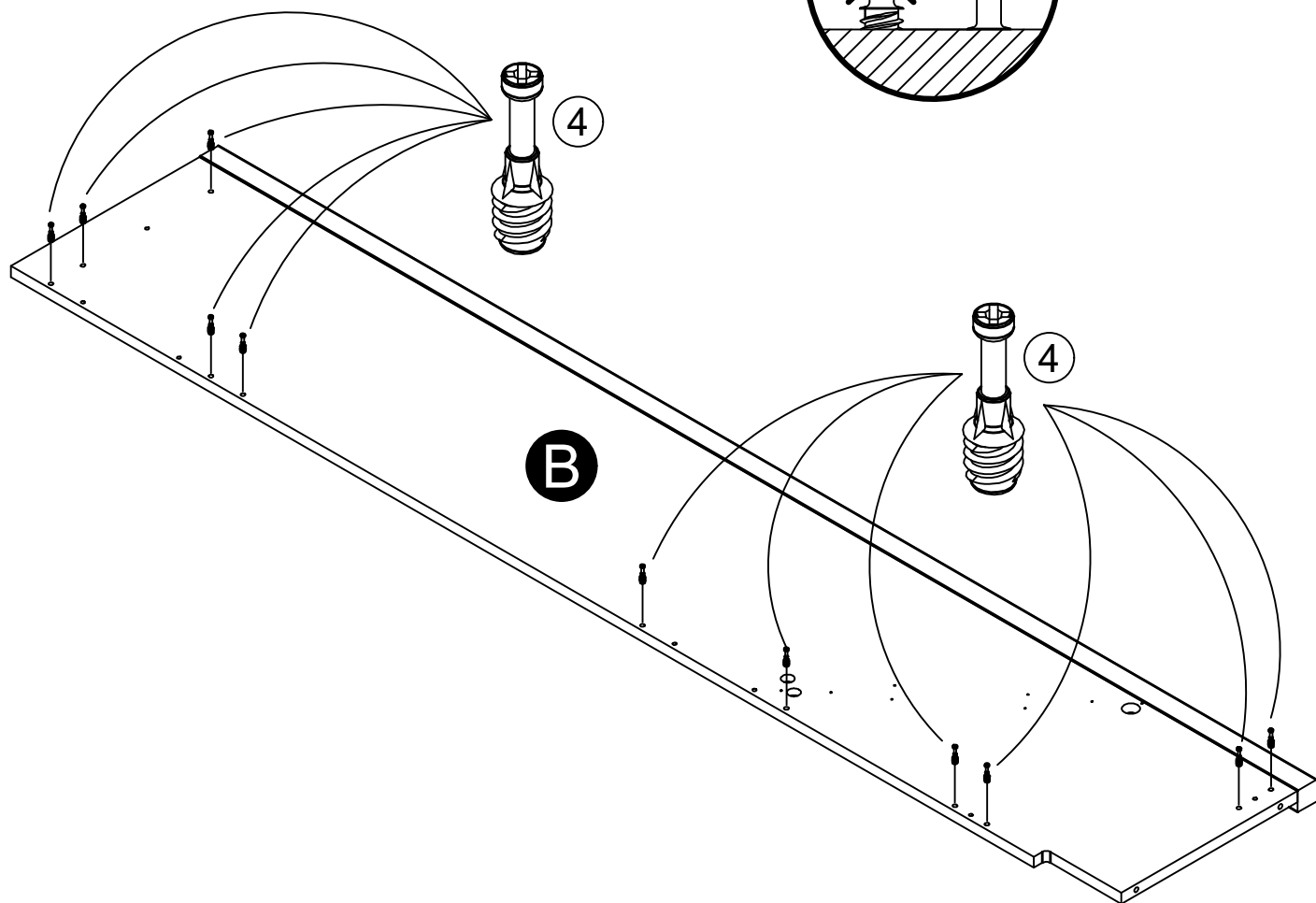
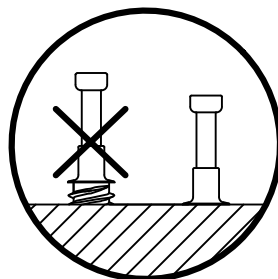
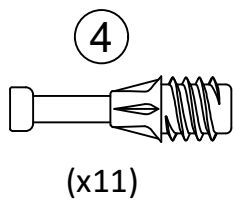
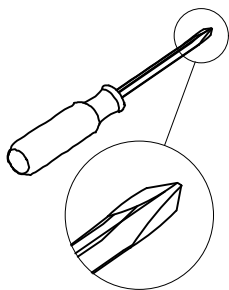


STEP 8

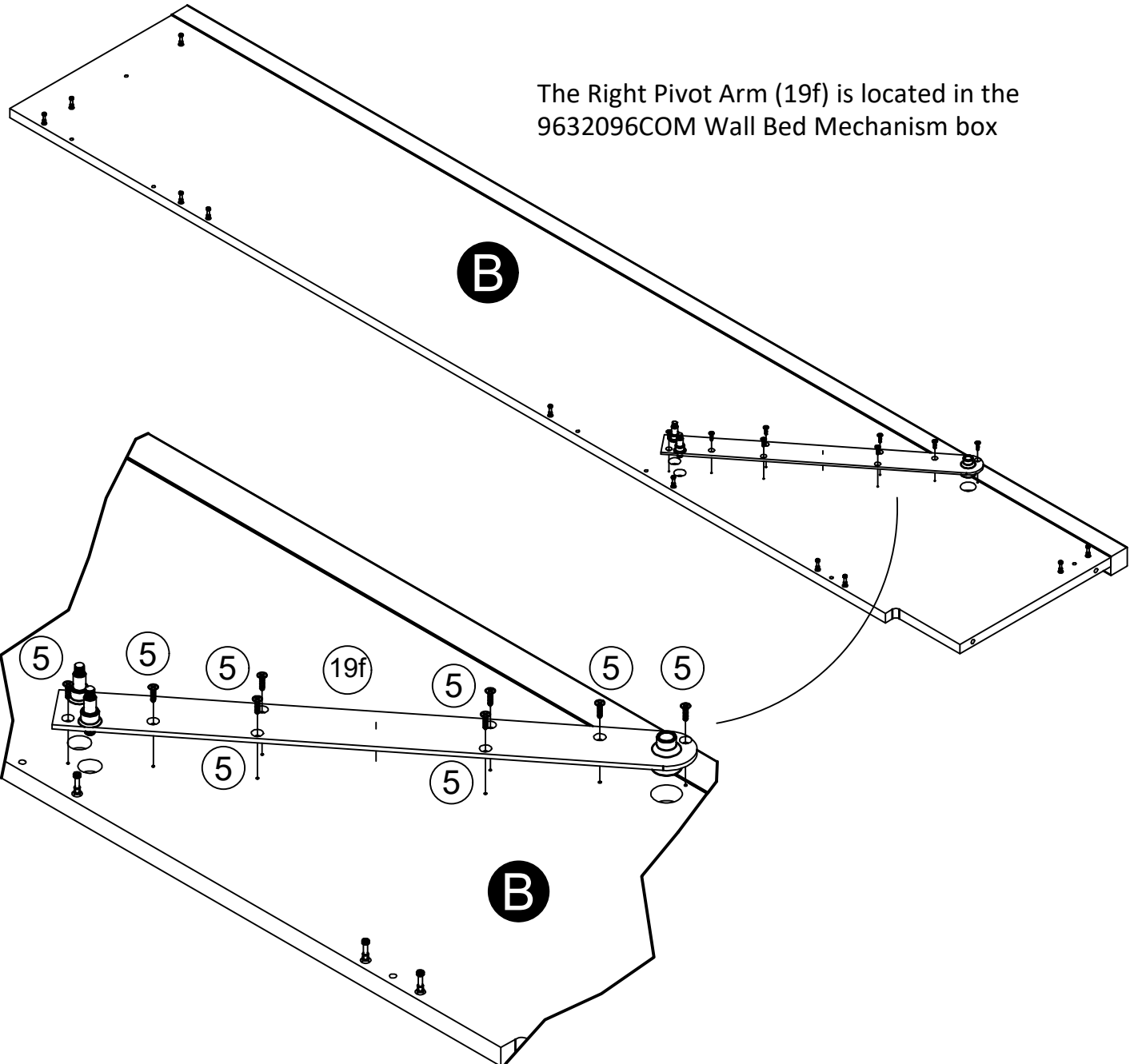
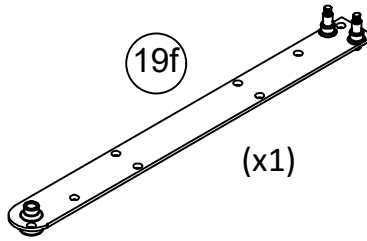
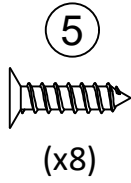
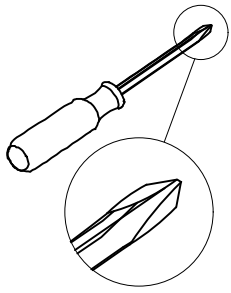


The Left Pivot Arm (19e) is located in the 9632096COM Wall Bed Mechanism box

STEP 9

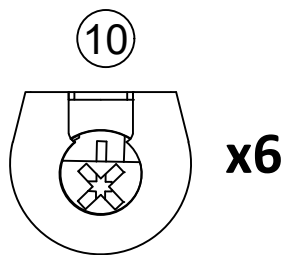
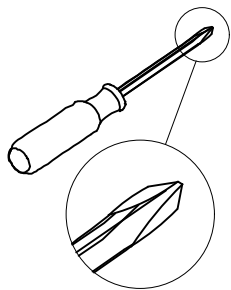


STEP 10

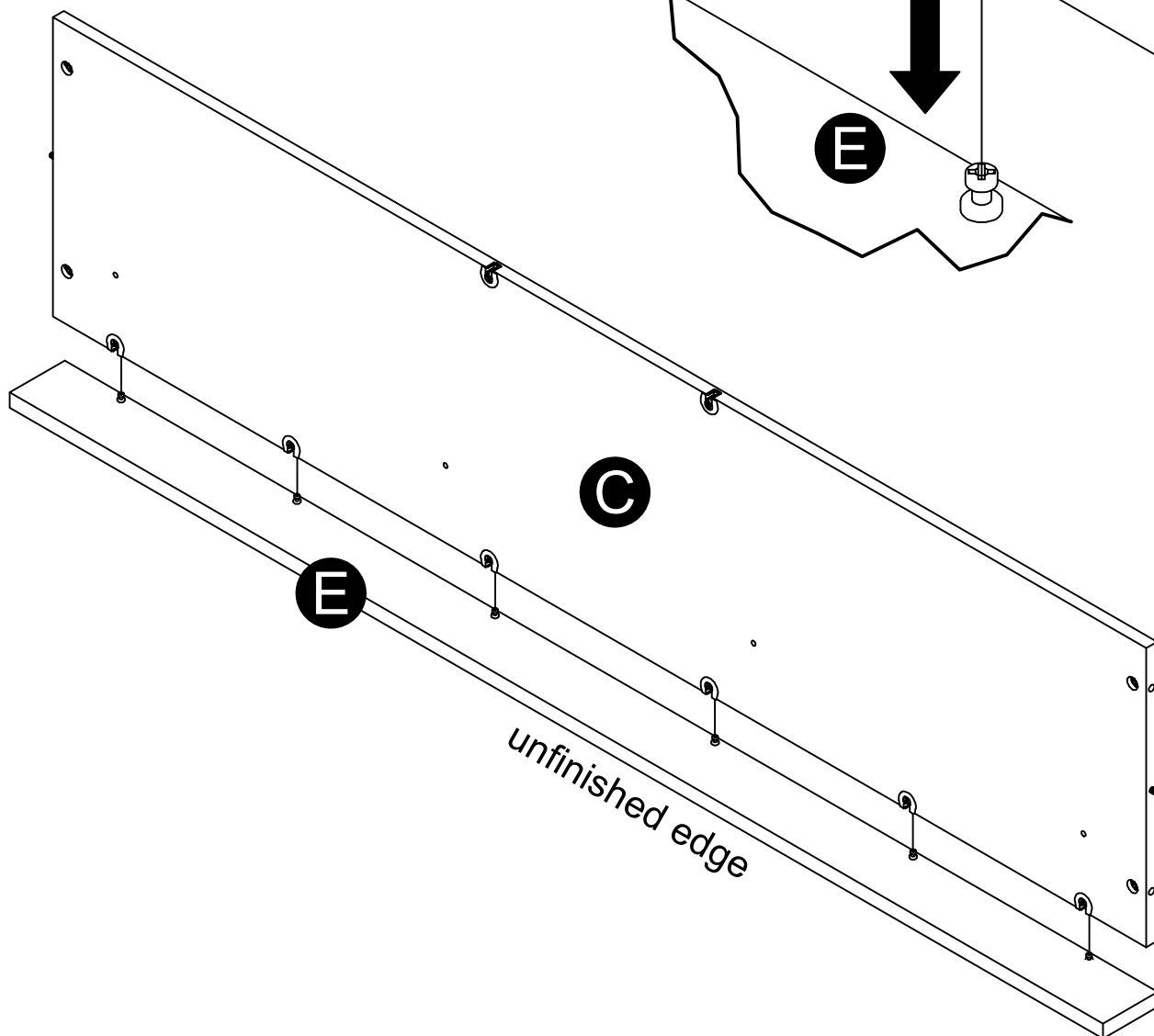
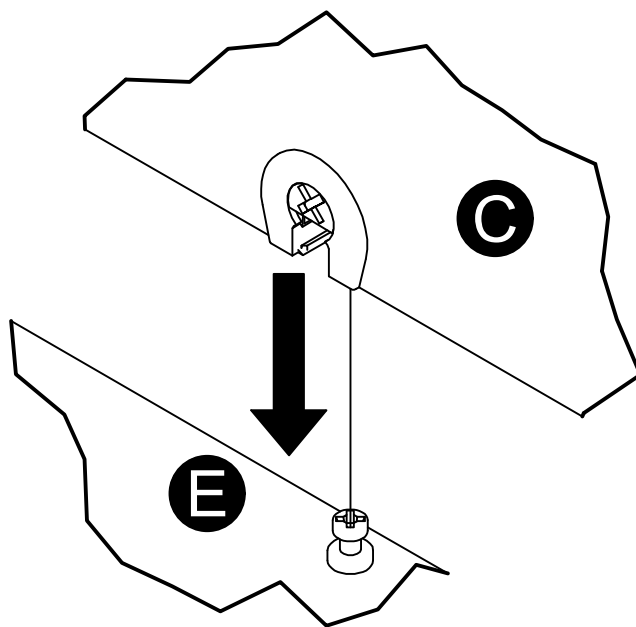


The Right Pivot Arm (19f) is located in the 9632096COM Wall Bed Mechanism box

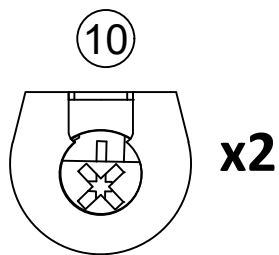
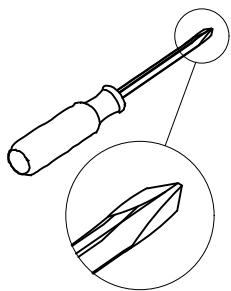
STEP 11



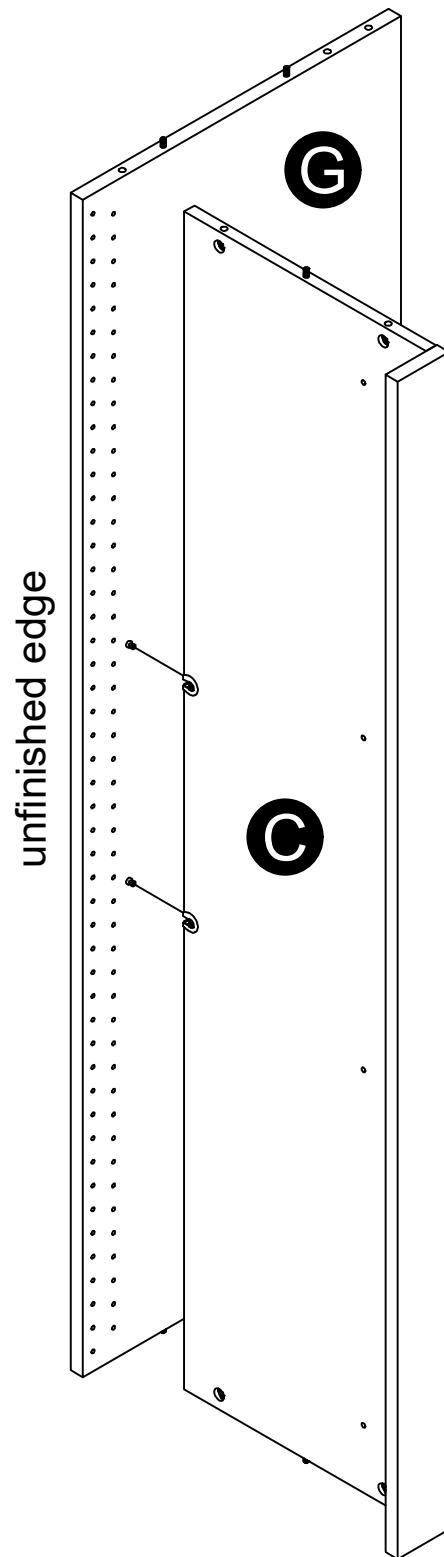
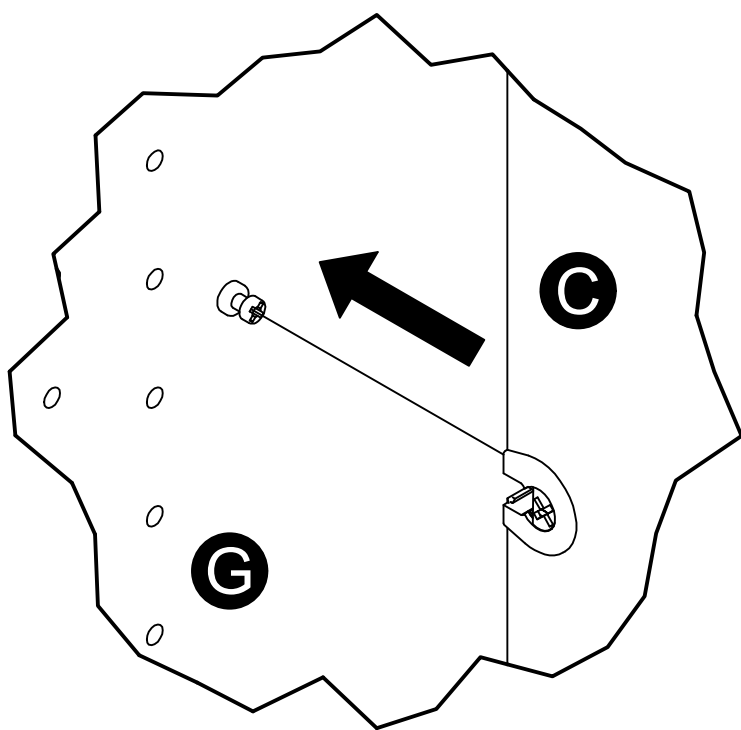
turn clockwise
to lock in place



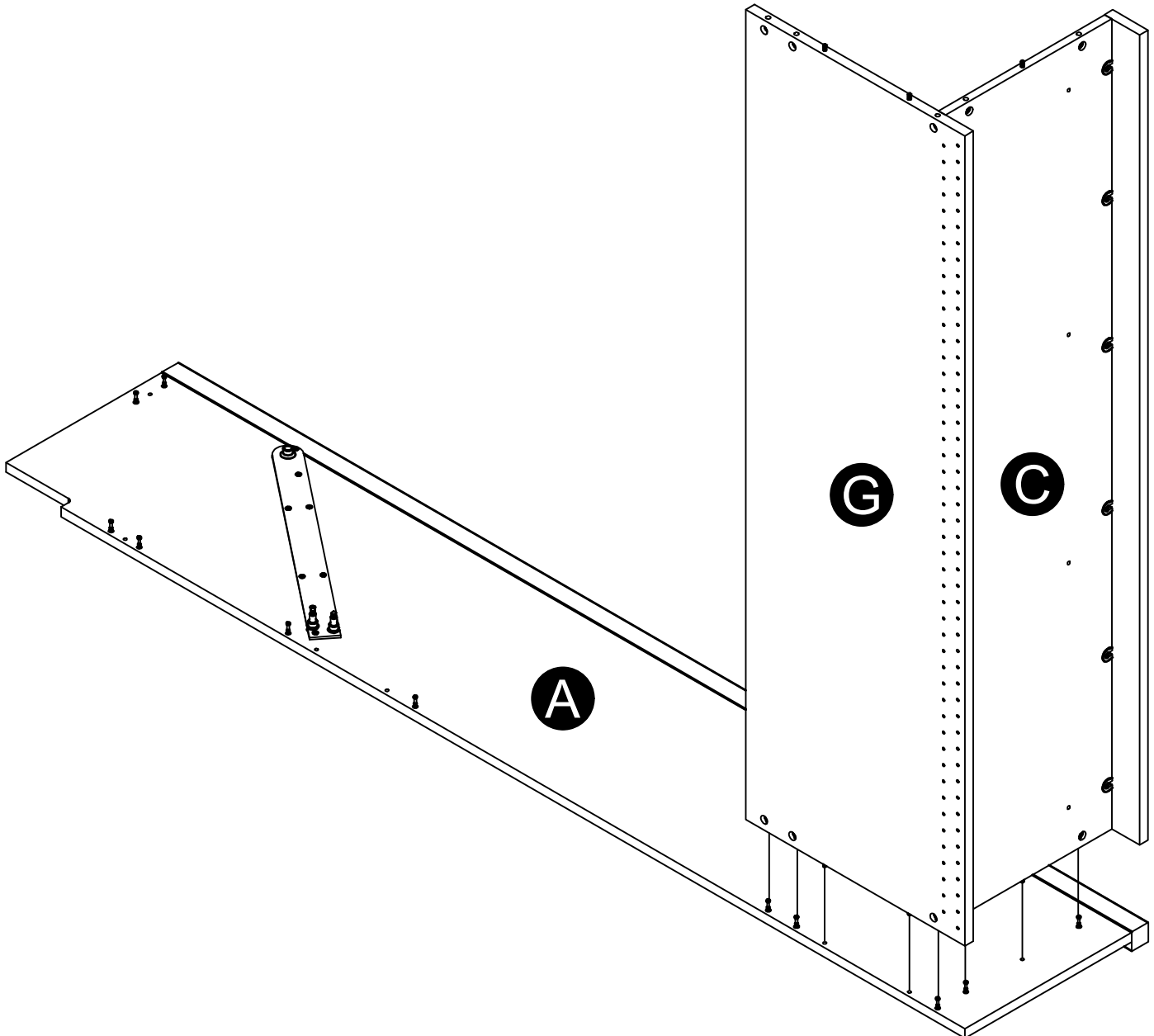
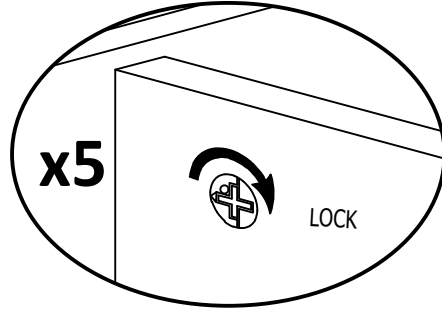
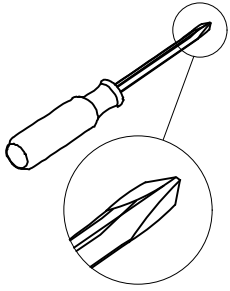
STEP 12



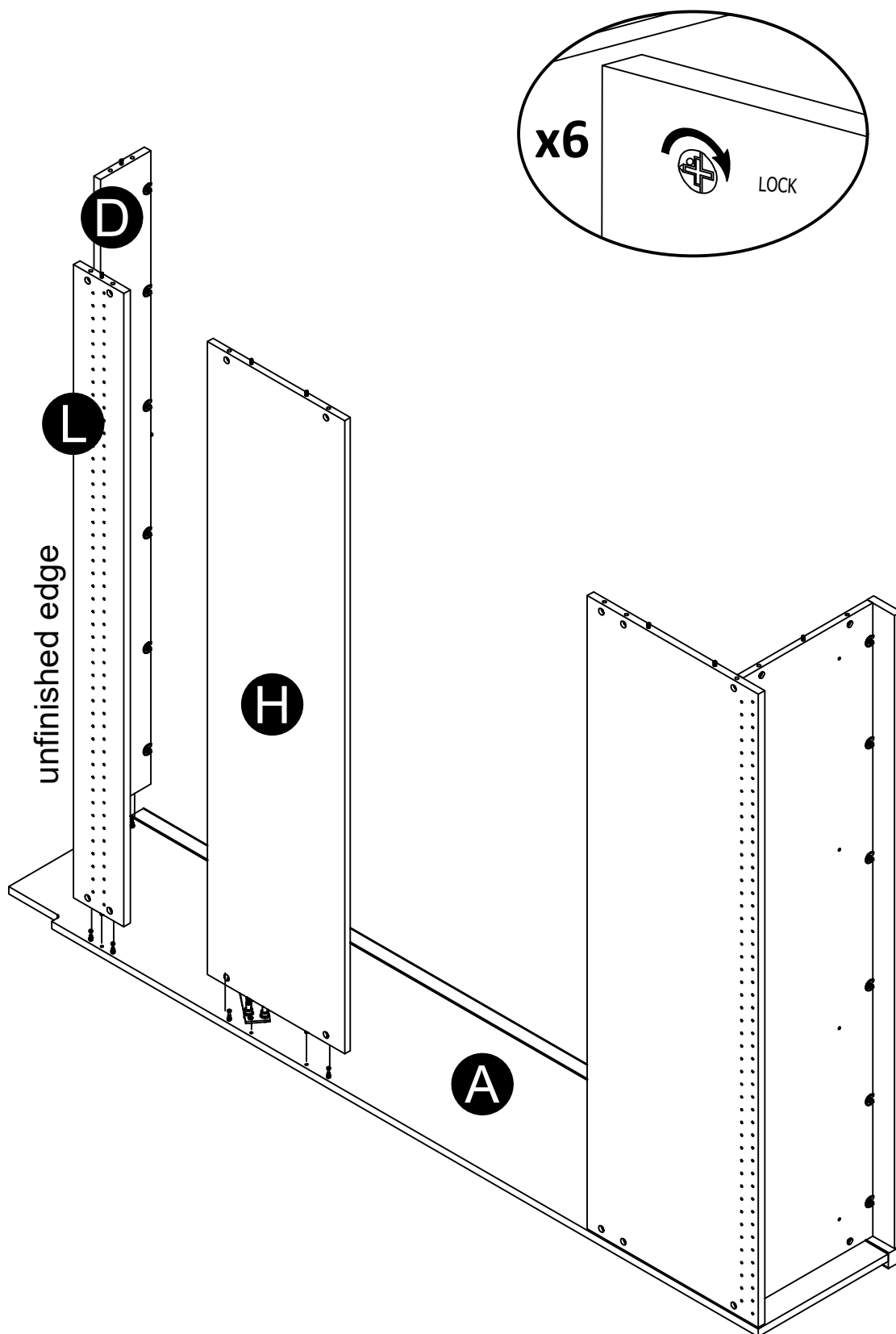
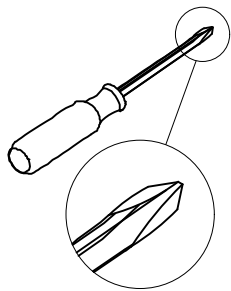
turn clockwise
to lock in place



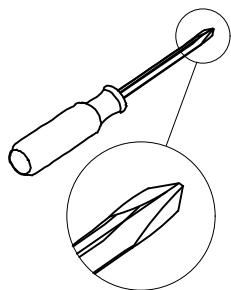
STEP 13



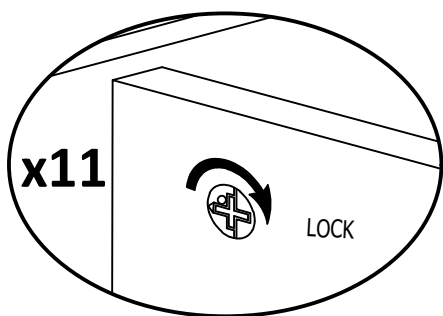
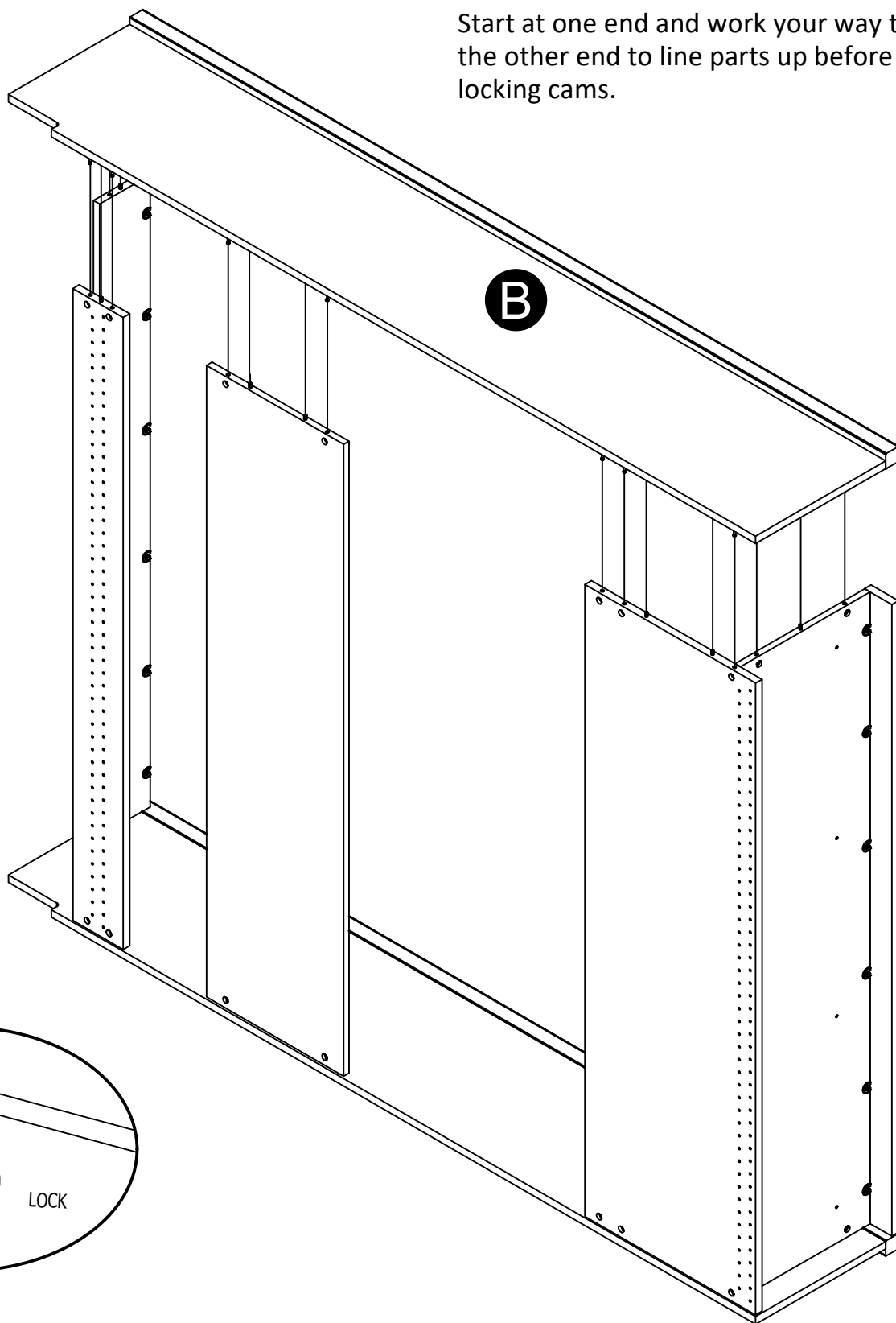
STEP 14



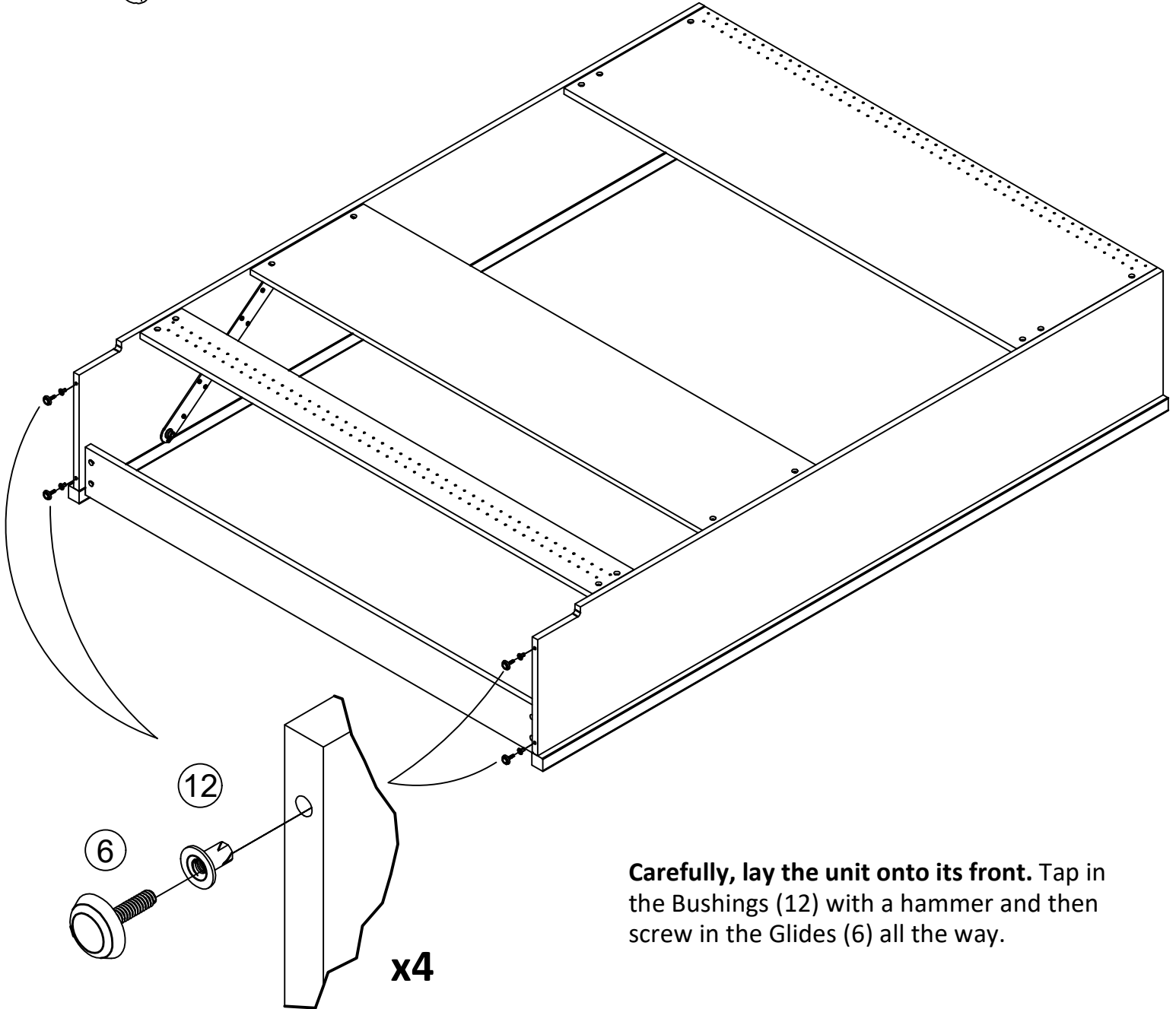
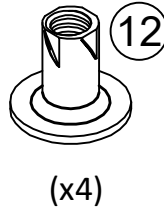
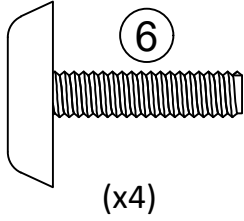
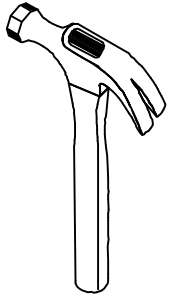
STEP 15



Start at one end and work your way to the other end to line parts up before locking cams.



STEP 16



Carefully, lay the unit onto its front. Tap in the Bushings (12) with a hammer and then screw in the Glides (6) all the way.

**The next steps are to attach your unit to the wall.
Wall attachment steps will cover pages 27-35.**



The following steps are required to be completed by a professional. The second person may assist by holding the cabinet in position while the professional completes alignment, leveling and installation steps.

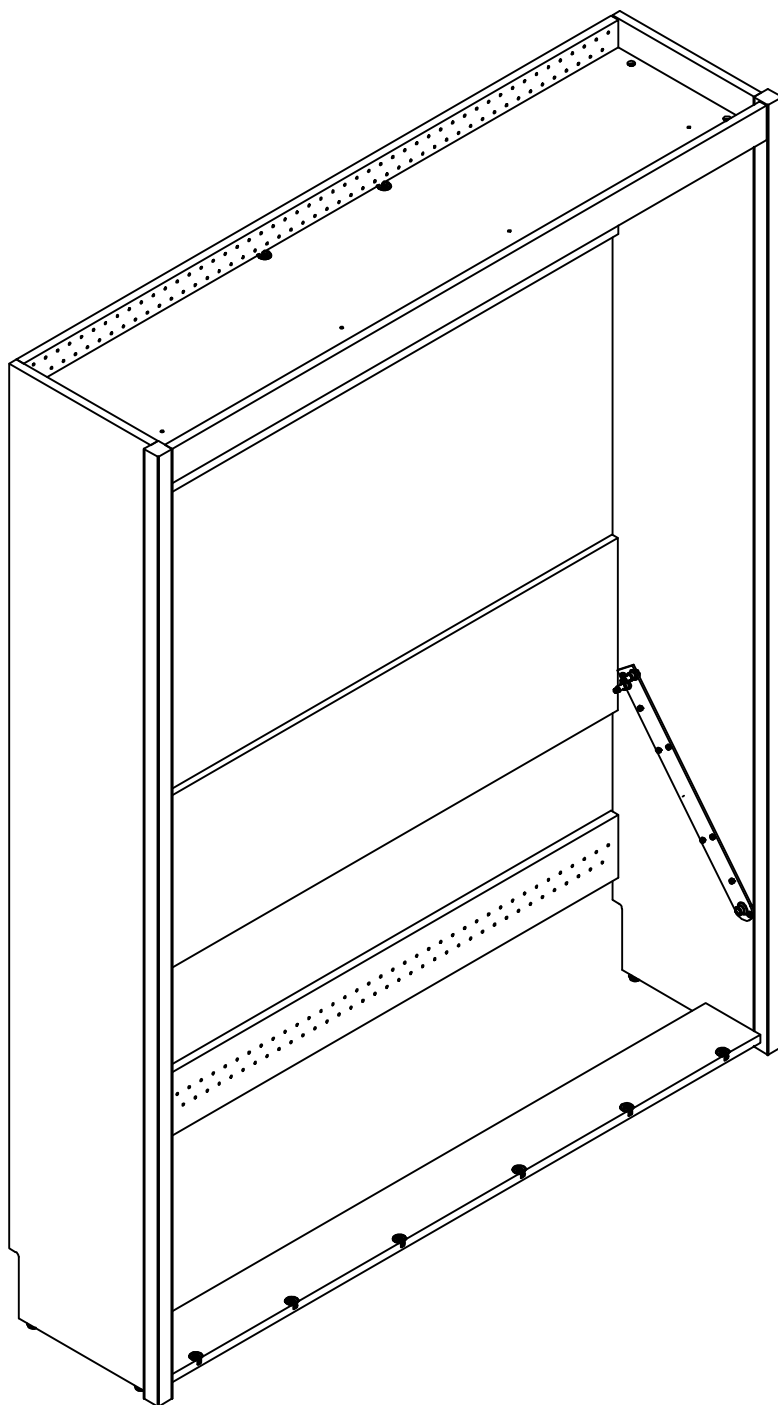
- Unit **MUST** be square (height, width, and depth) to function properly
- Unit **MUST** be placed flush against the wall
- Unit **MUST** be screwed into 3 **DIFFERENT** wall studs at the top and bottom for safety
- Professional must select the appropriate hardware to use to install the unit to the wall structure. Hardware provided includes options for wood studs, metal studs and concrete
- **DO NOT** use wall anchors to install your unit to the wall

This product is not intended to be moved, modified, uninstalled or disassembled once professionally installed. Select your installation location carefully with the help of the professional.

STEP 17

Carefully, place the unit **FLUSH** against the wall.

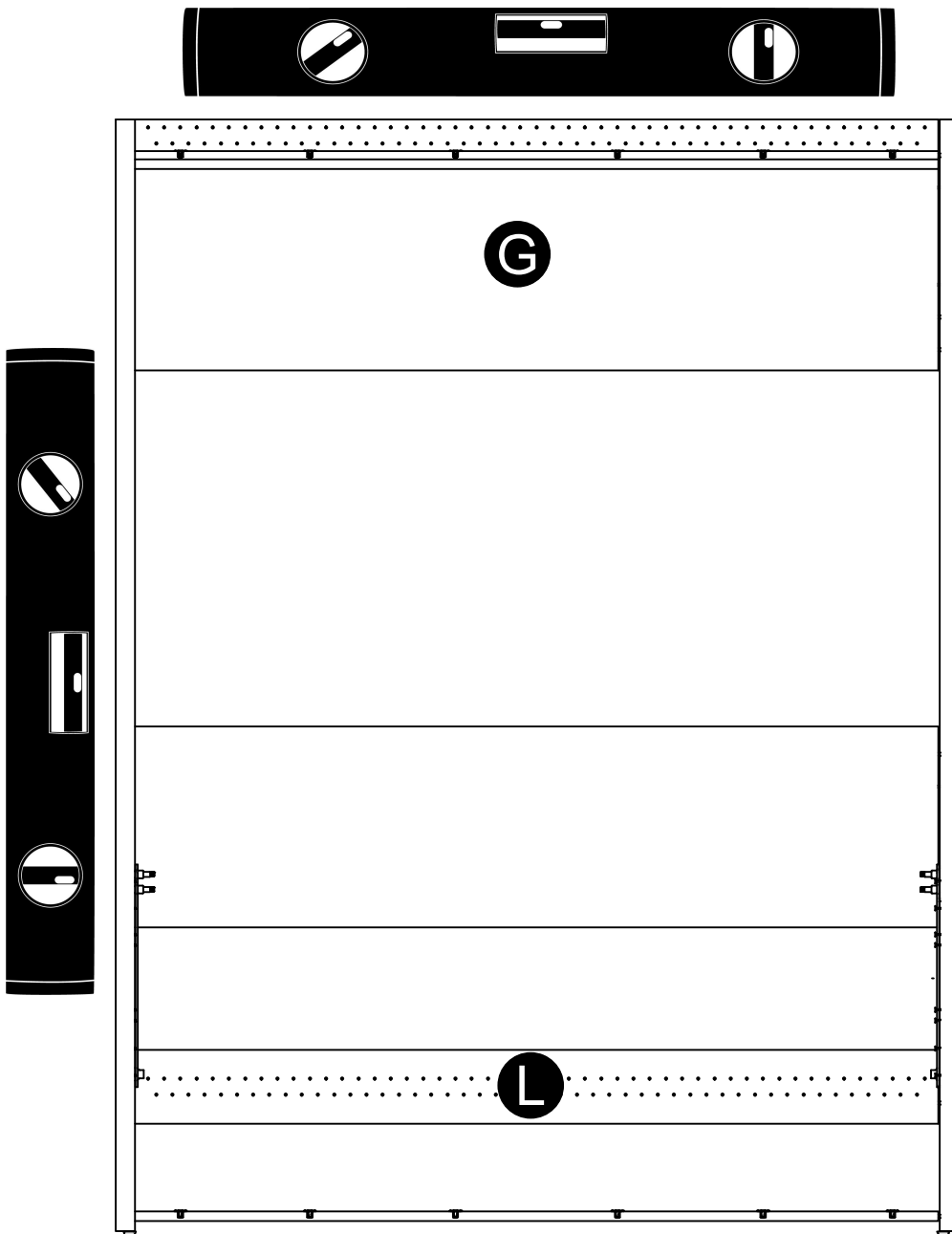
There are notches provided at the back of your unit. These notches are to fit around the baseboard on your wall. If your baseboard is higher or thicker than the notches provided on the unit, you will need to remove the baseboard, cut it down to fit on both sides of your unit, then refasten to the wall.



STEP 18

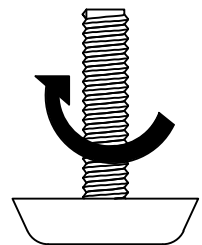
Using a level, be sure the unit is square (height, width, and depth) to function properly.

Please note on the following steps: The Valance (E) has been removed to better show the holes in the Upper Back Panel (G).



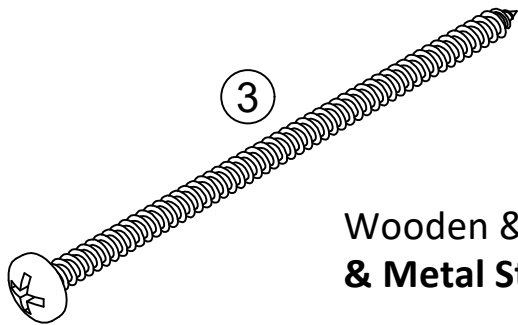
**A ladder will be required.
Do not lean against the top
of the unit, it may cause
sagging**

If required, unscrew the
Glides counterclockwise
as necessary in all 4
corners until your unit is
level in all directions

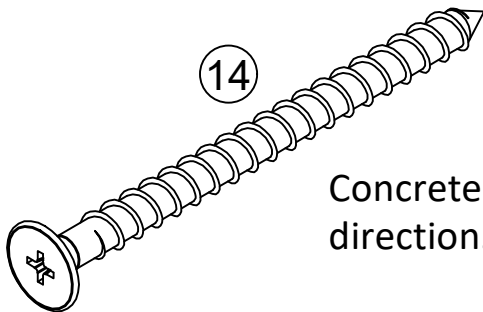


What type of wall do you have?

For Steps 19 & 20 you will need to choose between two types of screws to use based on the type of wall you are installing this product to.



Wooden & Metal Studs - **Follow Steps 19 & 20 - Wooden & Metal Studs** pages for direction. **Pages 30 & 31.**



Concrete - **Follow Steps 19 & 20 - Concrete** page for direction. **Pages 33 & 34.**

STEP 19 - Wooden & Metal Studs

Locate at least 3 DIFFERENT studs, in the horizontal direction, but 4 is better.

Locate the studs in the wall, using a stud finder.

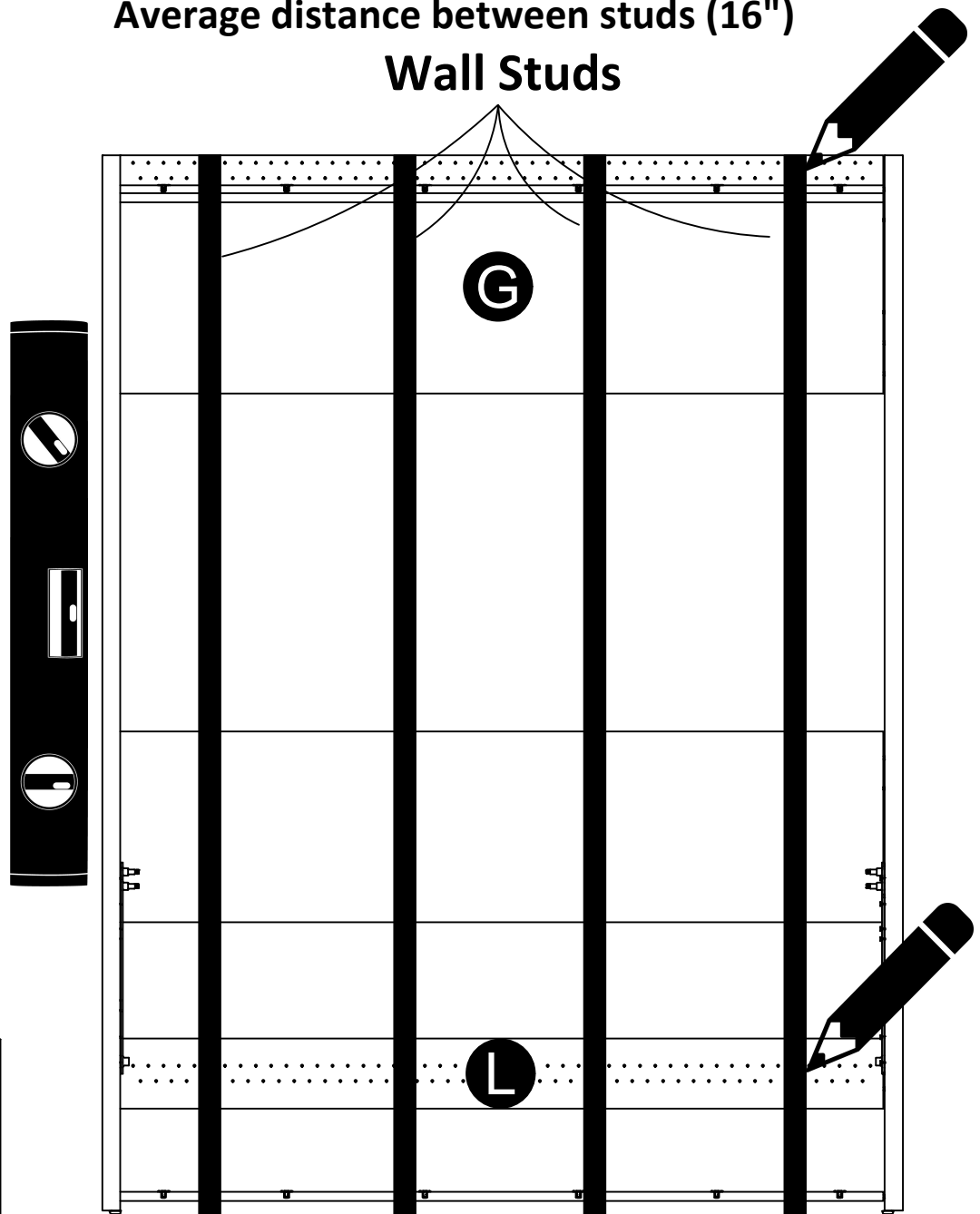
Using a pencil, mark the stud locations on the upper surface of the Upper Back Panel (G) where the predrilled holes are provided.

Using a level, carry the stud locations down to the Bottom Stringer (L), and with a pencil, mark the stud locations where the predrilled holes are provided.

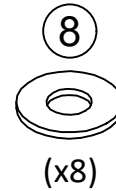
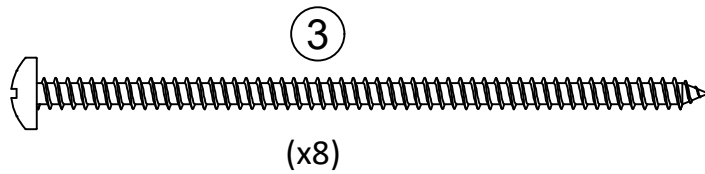
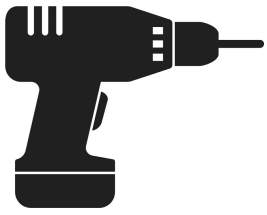


**A ladder will be required.
Do not lean against the top
of the unit, it may cause
sagging**

Average distance between studs (16")
Wall Studs

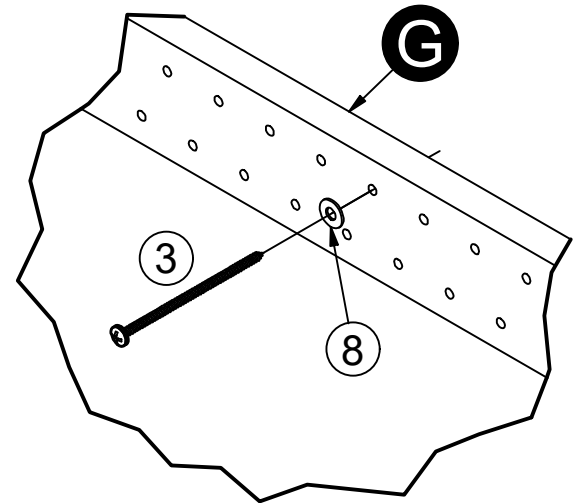
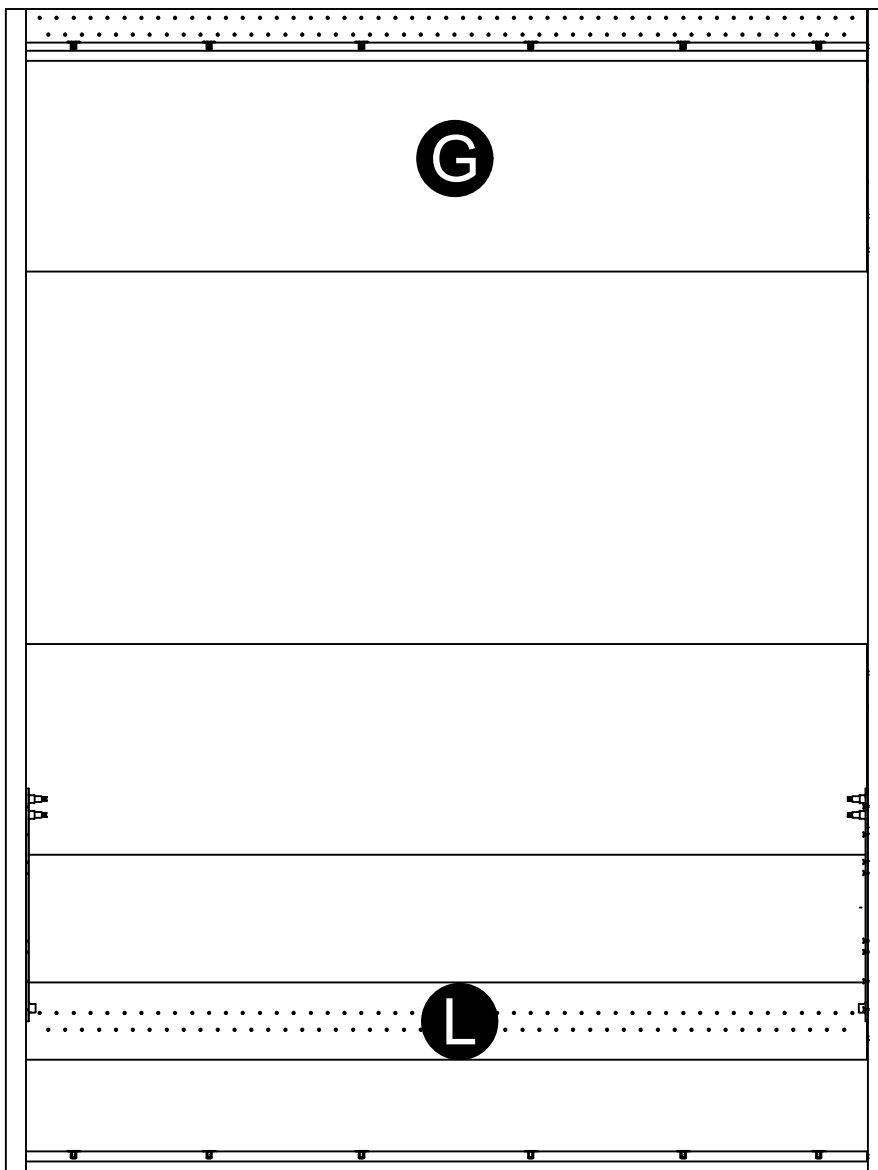


STEP 20 - Wooden & Metal Studs



First, make sure that your unit is still level in all directions.

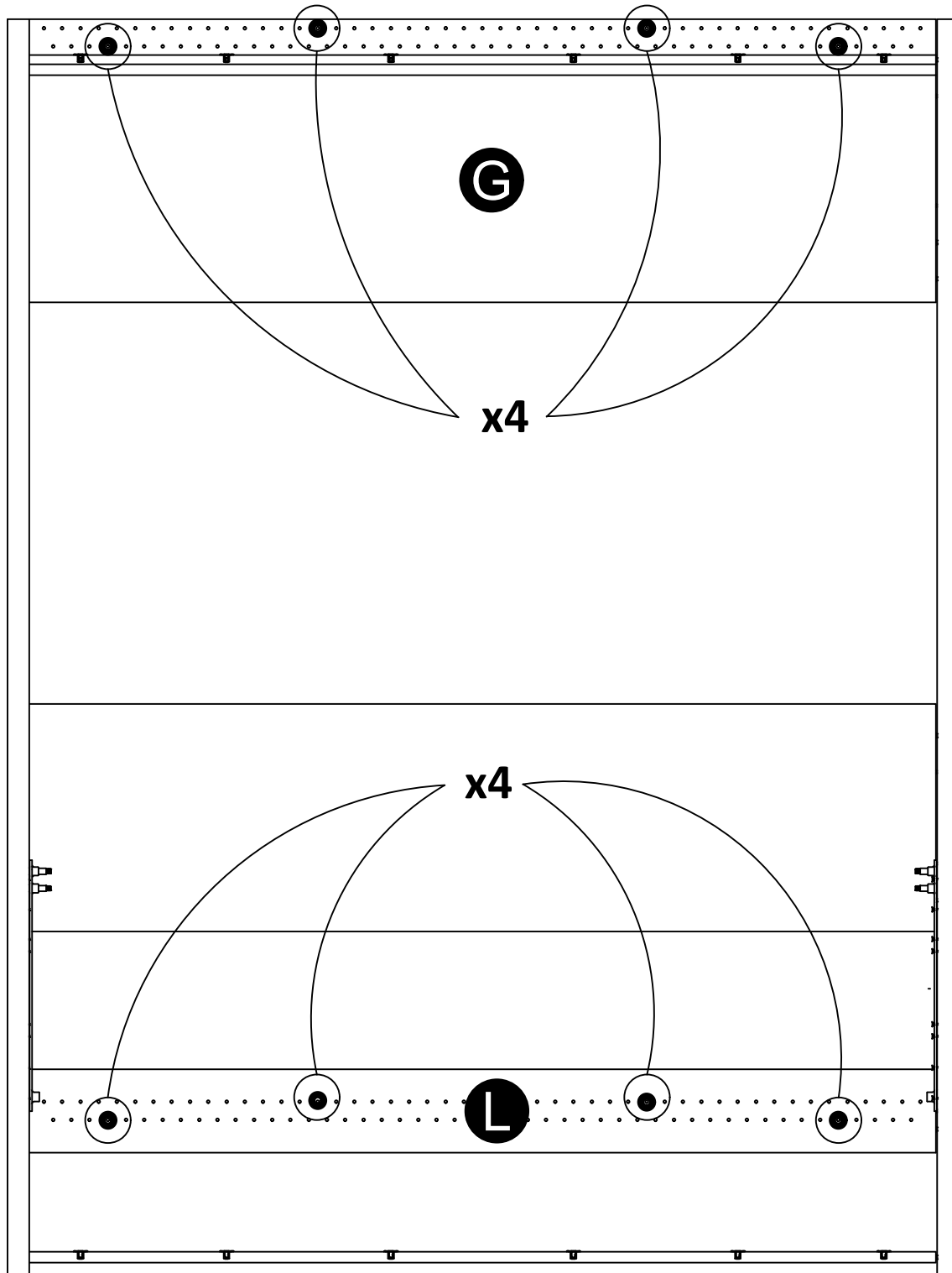
As shown in the view to the right, fasten the unit to the wall studs with screw (3) and washer (8). The view shows the Upper Back Panel (G) but do the same for Bottom Stringer (L). **You must screw at least 3 screws into 3 different wall studs, in the horizontal direction, but 4 is better on part G & part L.**



A ladder will be required. Do not lean against the top of the unit, it may cause sagging

STEP 20 continued...

Example of 4 screws being placed horizontally in wall studs on part G and part L.
Please note this is just an example - all wall stud distances are different.



STEP 19 - Concrete

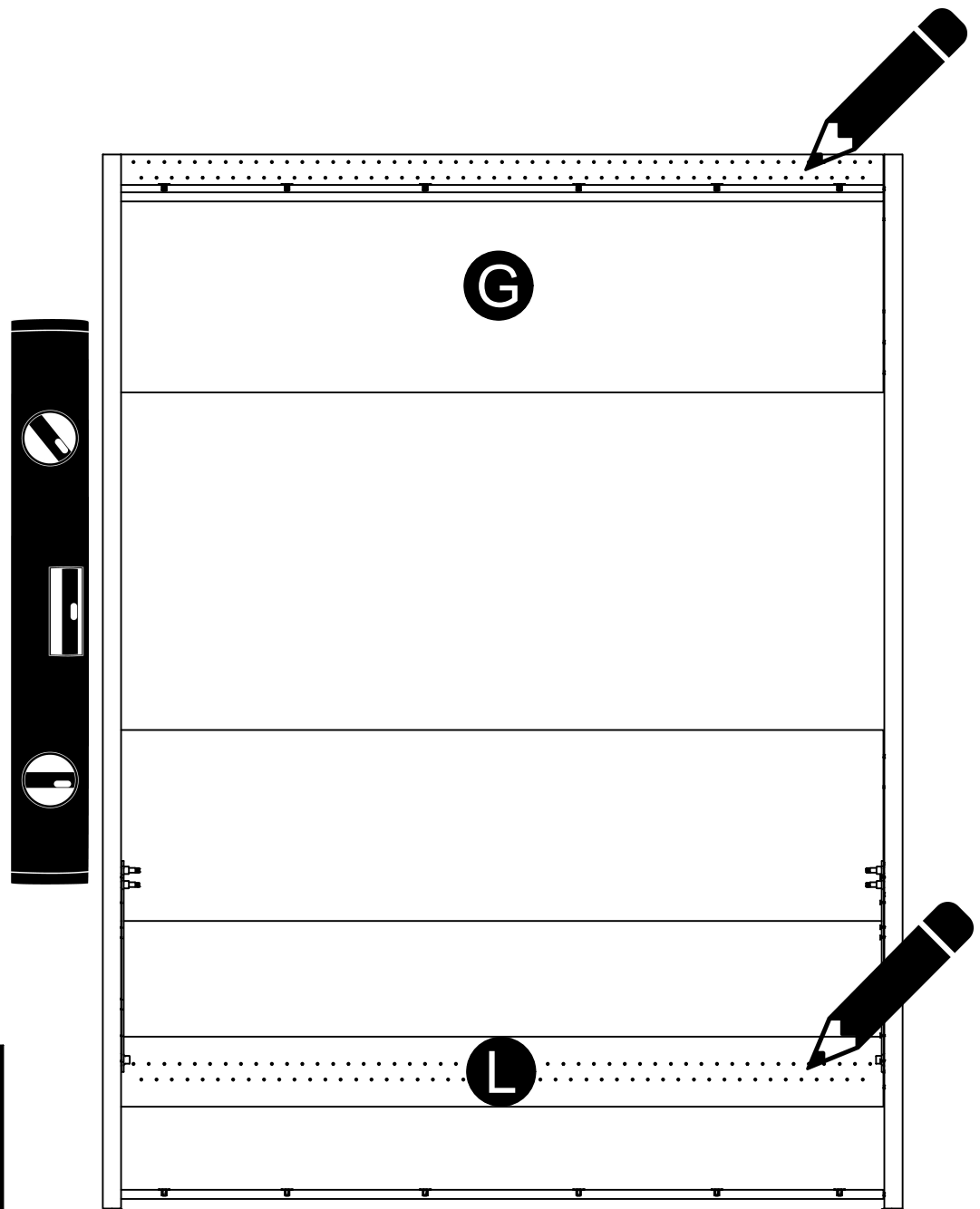
Choose 4 horizontal predrilled holes equally across the Upper Back Panel (G). Carry and use the same predrilled holes down to the Bottom Stringer (L).

Using a pencil, mark the locations on the upper surface of the Upper Back Panel (G) where the predrilled holes are provided.

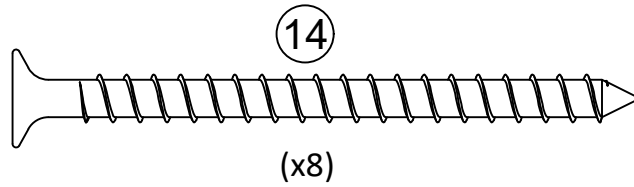
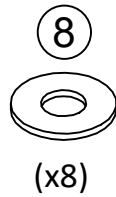
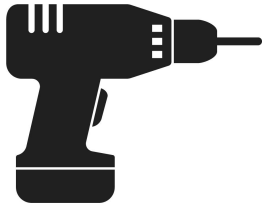
Using a level, carry the locations down to the Bottom Stringer (L), and with a pencil, mark the locations where the predrilled holes are provided.



**A ladder will be required.
Do not lean against the top
of the unit, it may cause
sagging**

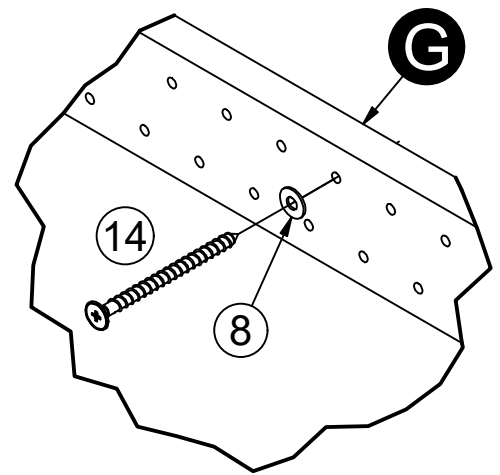
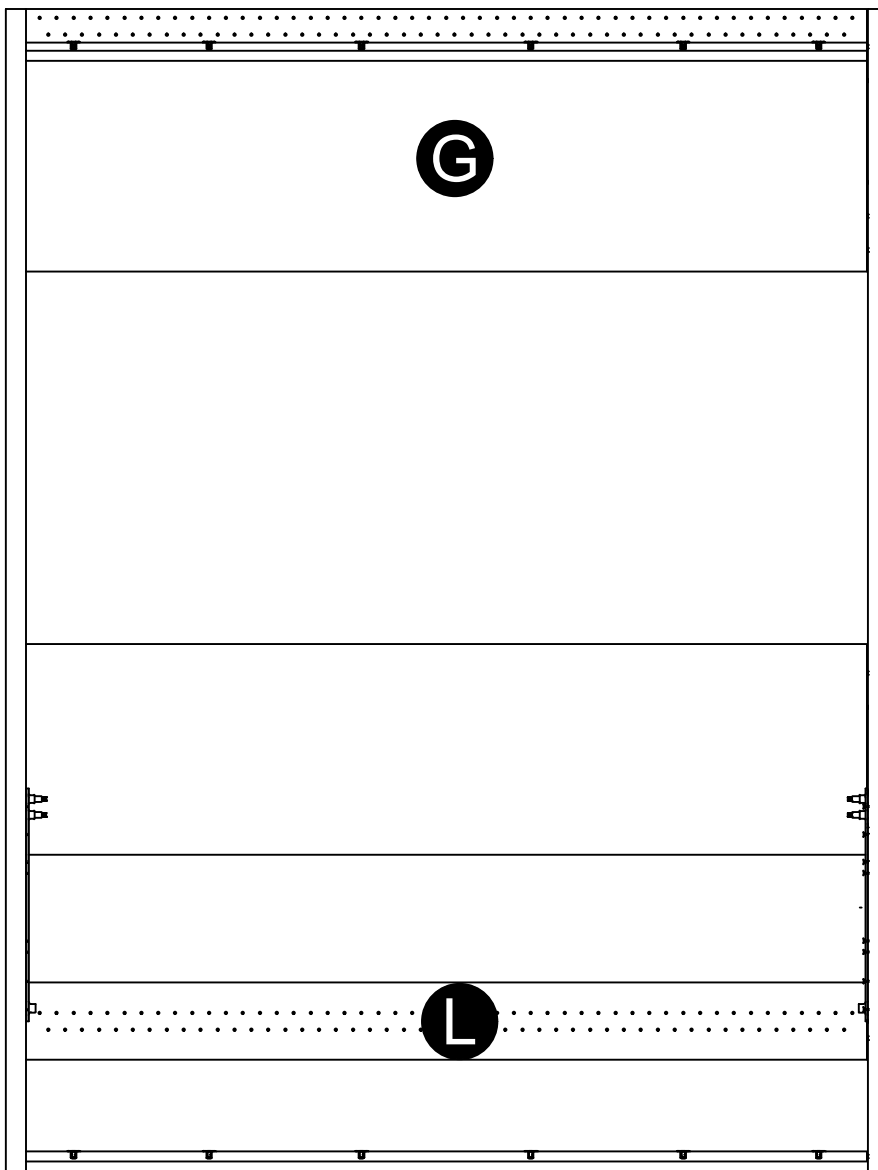


STEP 20 - Concrete



First, make sure that your unit is still level in all directions.

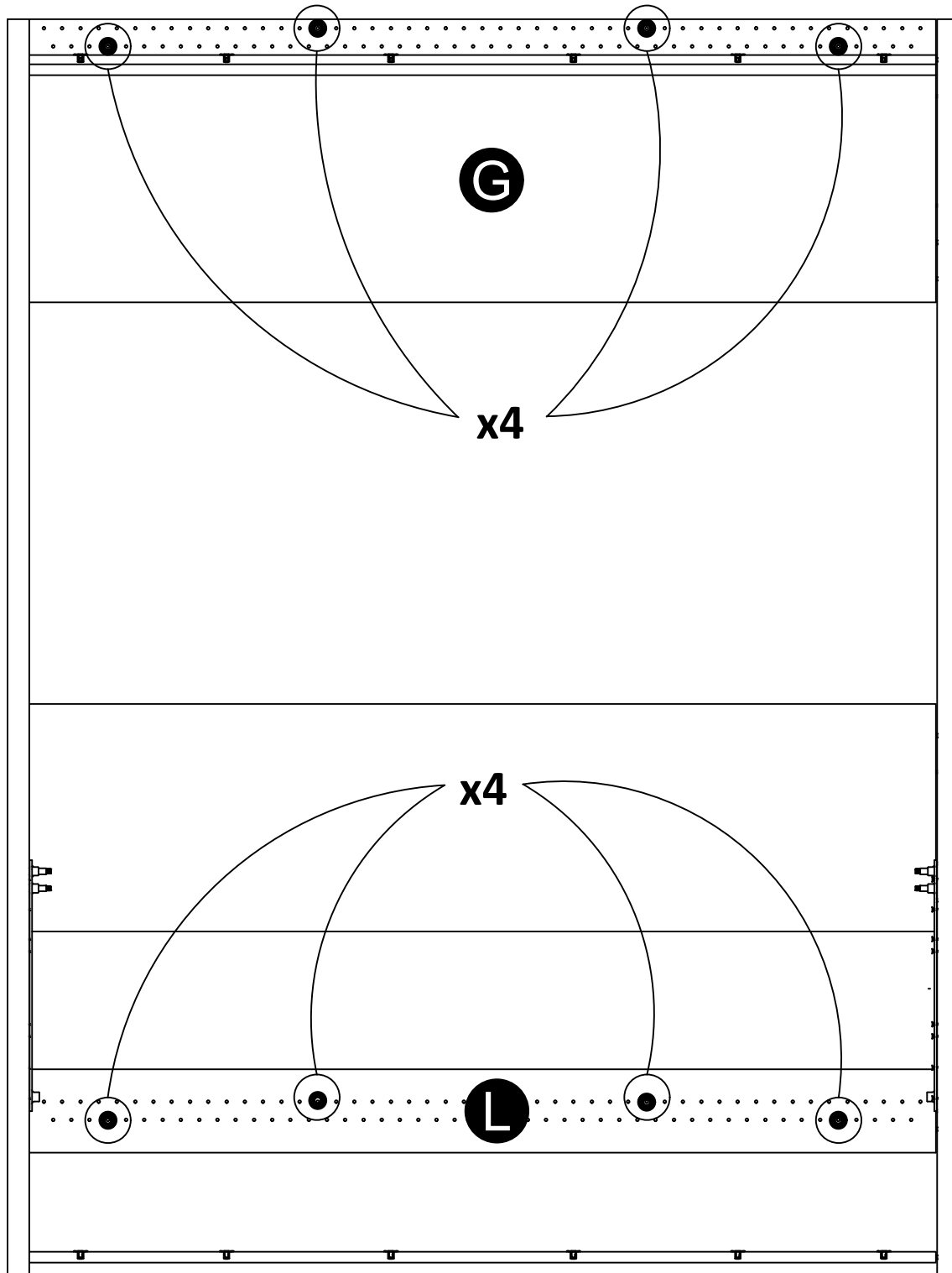
As shown in the view to the right, fasten the unit to the concrete wall with screw (14) and washer (8). The view shows the Upper Back Panel (G) but do the same for Bottom Stringer (L). You must screw at least 3 screws into 3 different locations, in the horizontal direction, but 4 is better on part G & part L.



A ladder will be required. Do not lean against the top of the unit, it may cause sagging

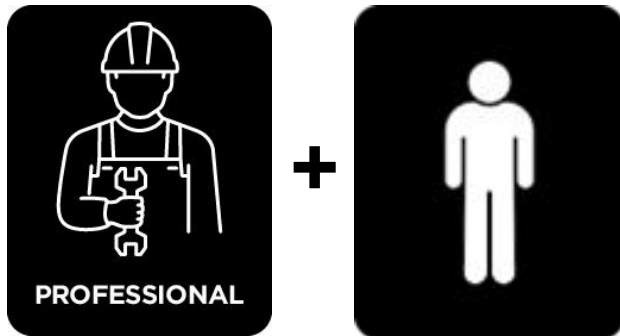
STEP 20 continued...

Example of 4 screws being placed horizontally in wall studs on part G and part L.
Please note this is just an example - all wall stud distances are different.

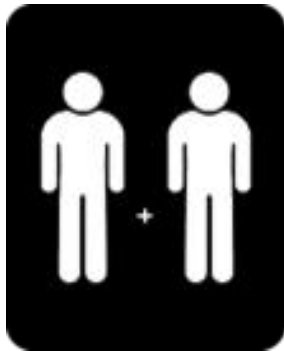


Part 2 - Assembly

The next steps are to assemble the metal bed frame mechanism and door panels. Assembly steps will cover pages 37-50.



OR



As mentioned on page 2: Choose one of the two options below...

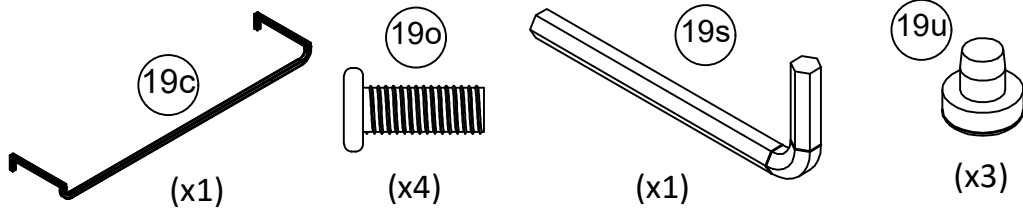
- You may continue to use the Professional and a second person, or
- Use two people who have experience assembling ready to assemble furniture.

Two people are required for:

- lifting and securing bed pieces together with hardware

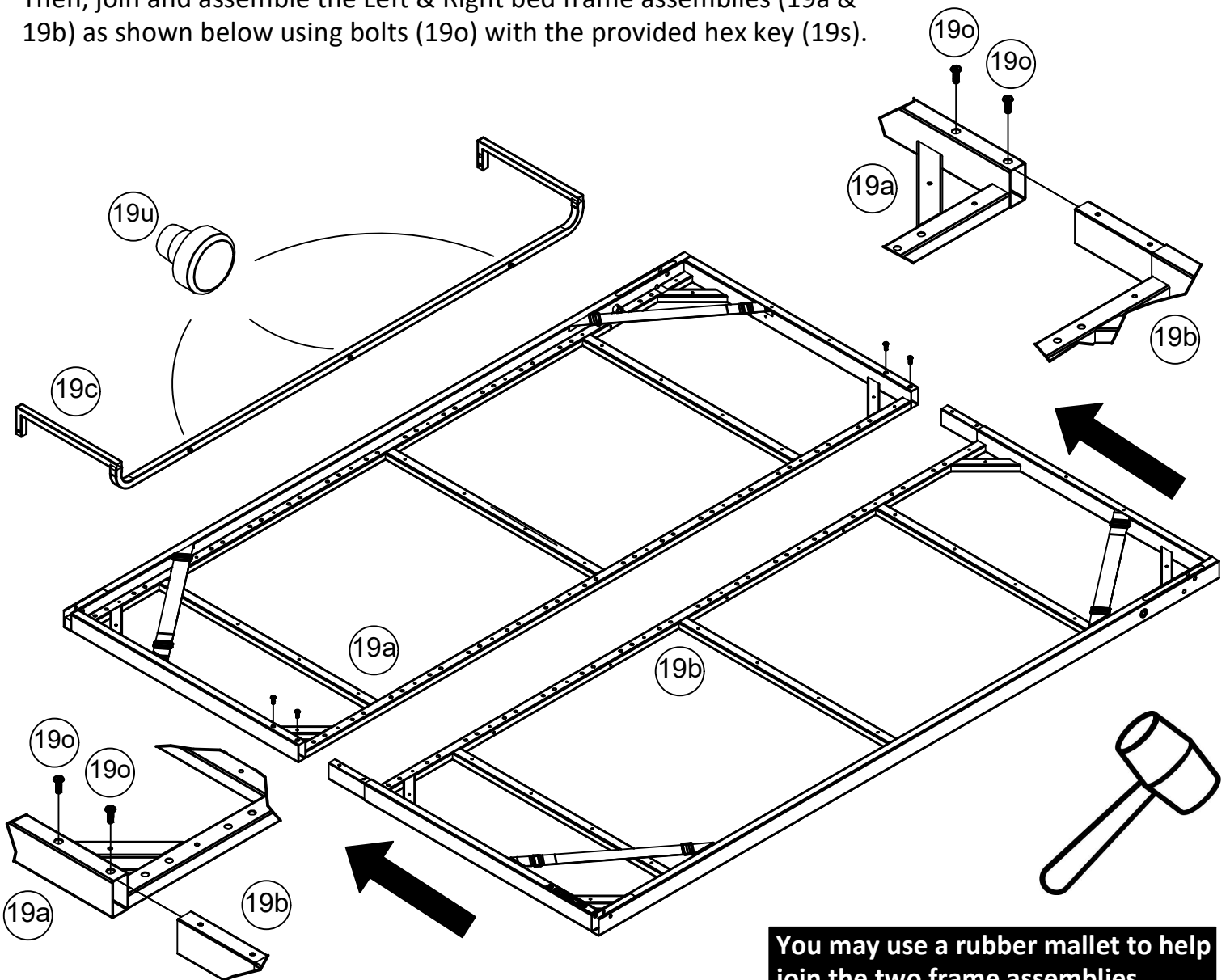
These parts are in the #9632096COM Wall Bed Mechanism Carton

STEP 30



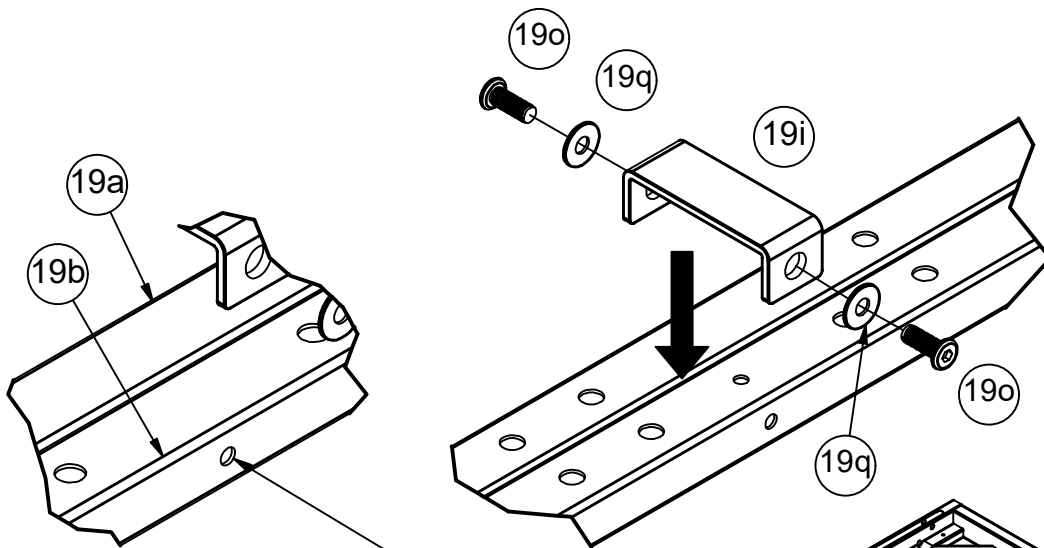
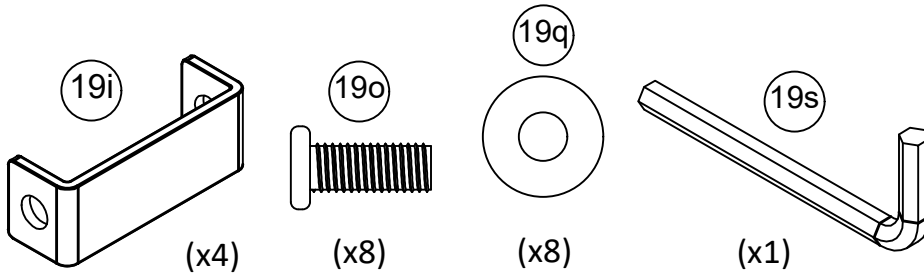
First, press each rubber foot (19u) into each hole in the Leg (19c) as shown below.

Then, join and assemble the Left & Right bed frame assemblies (19a & 19b) as shown below using bolts (19o) with the provided hex key (19s).



You may use a rubber mallet to help join the two frame assemblies.

STEP 31

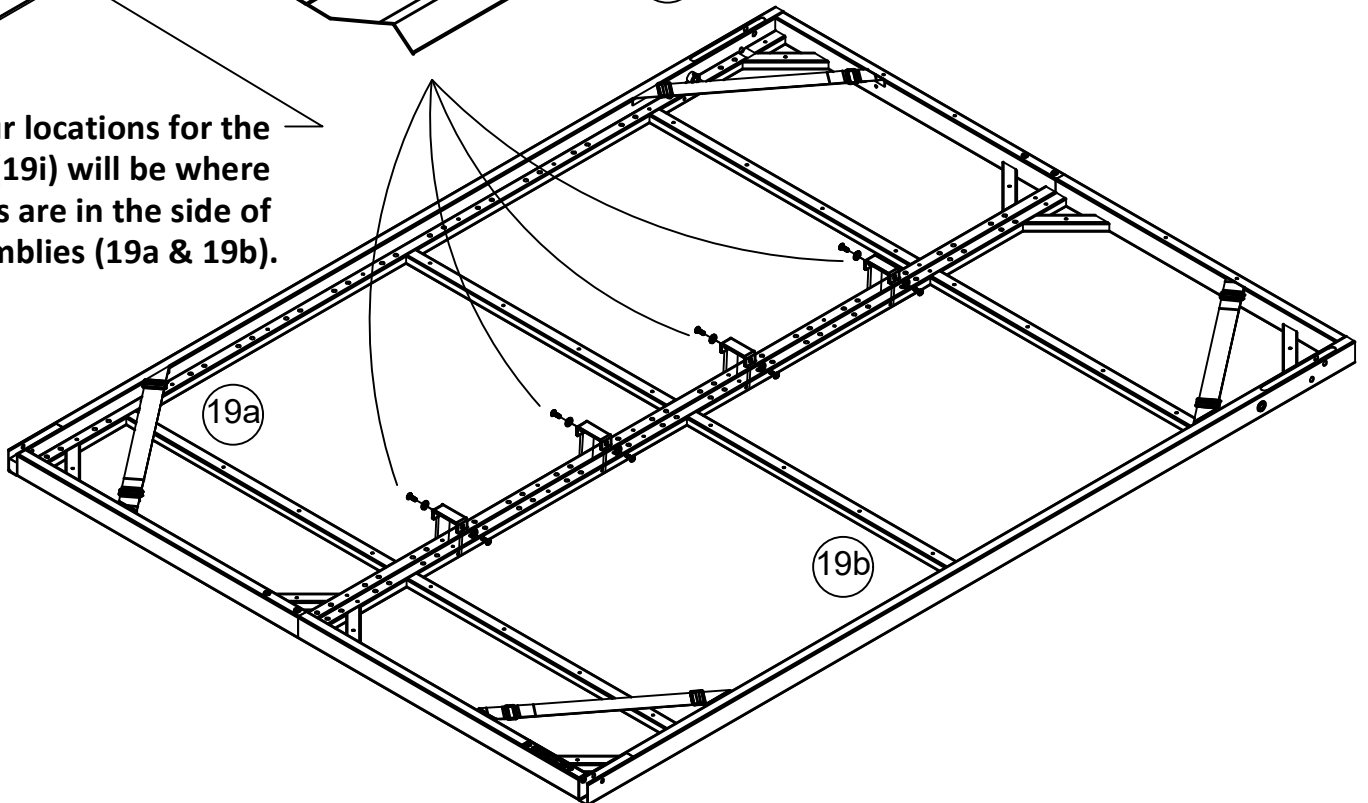


Place the four U-Brackets (19i) in the locations.

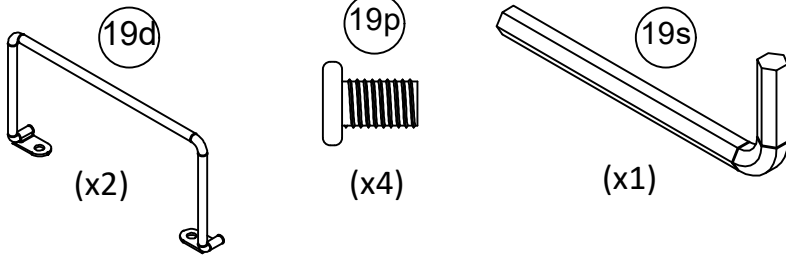
Use the bolts (19o) and washers (19q) to assemble the U-Brackets (19i) to the joined bed frame assemblies (19a & 19b) as shown.

Use the provided hex key (19s) to assemble.

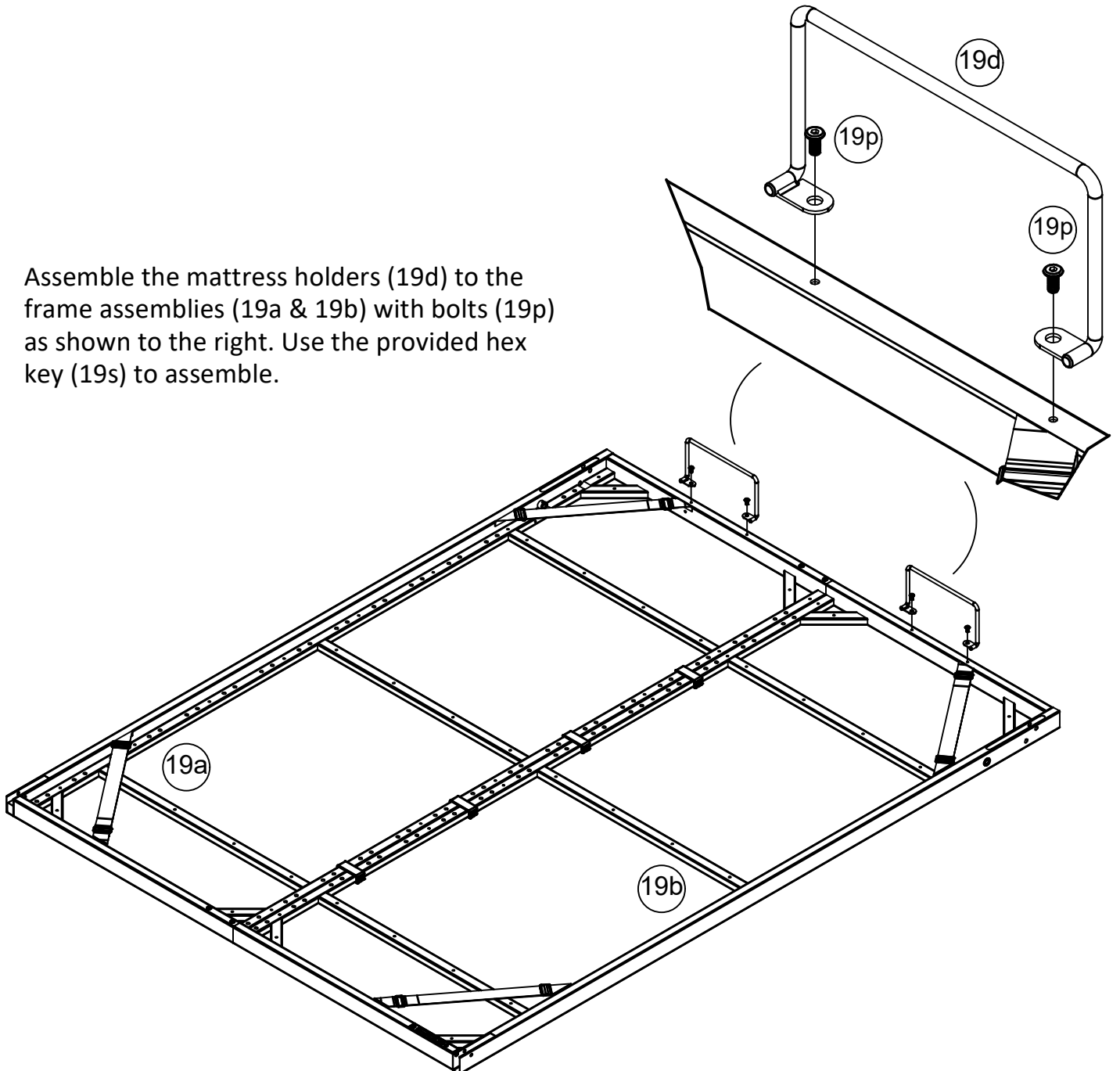
The four locations for the U-Bracket (19i) will be where the holes are in the side of frame assemblies (19a & 19b).



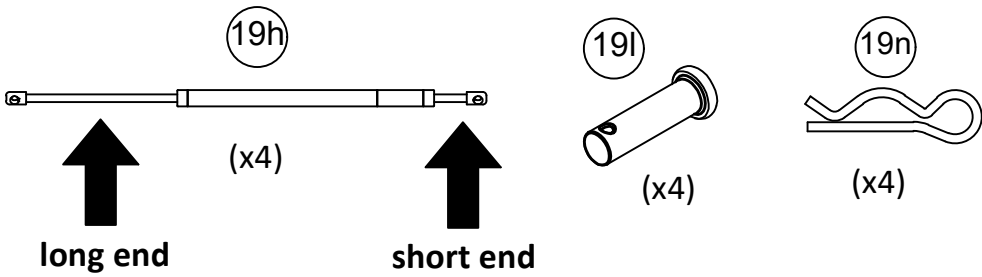
STEP 32



Assemble the mattress holders (19d) to the frame assemblies (19a & 19b) with bolts (19p) as shown to the right. Use the provided hex key (19s) to assemble.

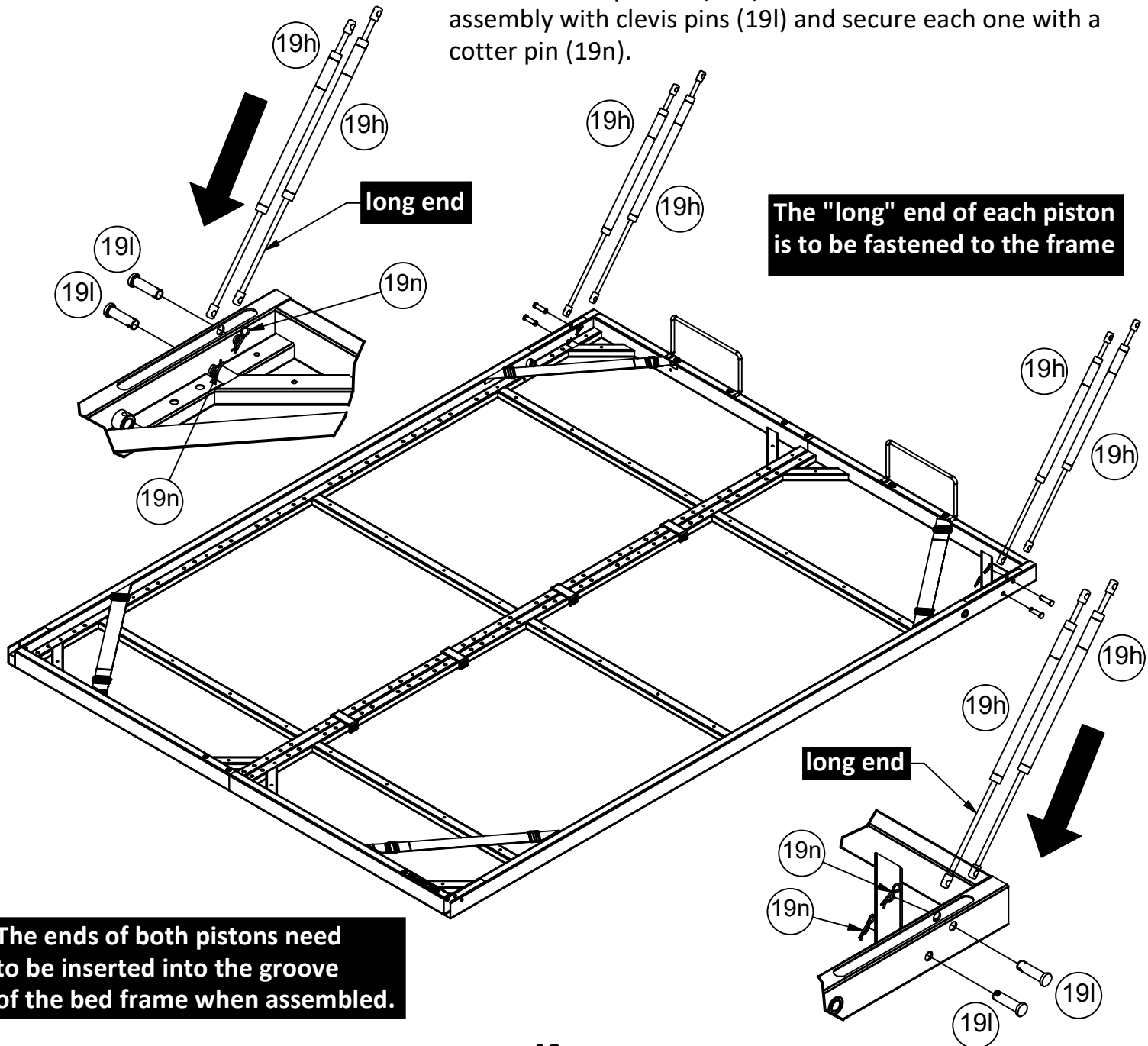


STEP 33

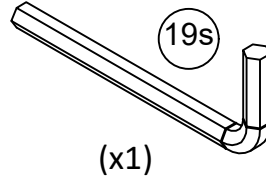
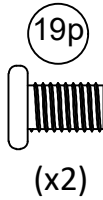
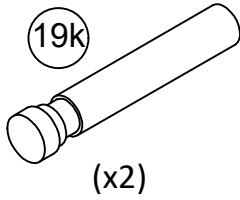
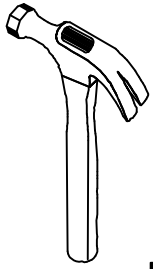


Assemble two pistons (19h) to each side of the bed frame assembly with clevis pins (19l) and secure each one with a cotter pin (19n).

The "long" end of each piston is to be fastened to the frame



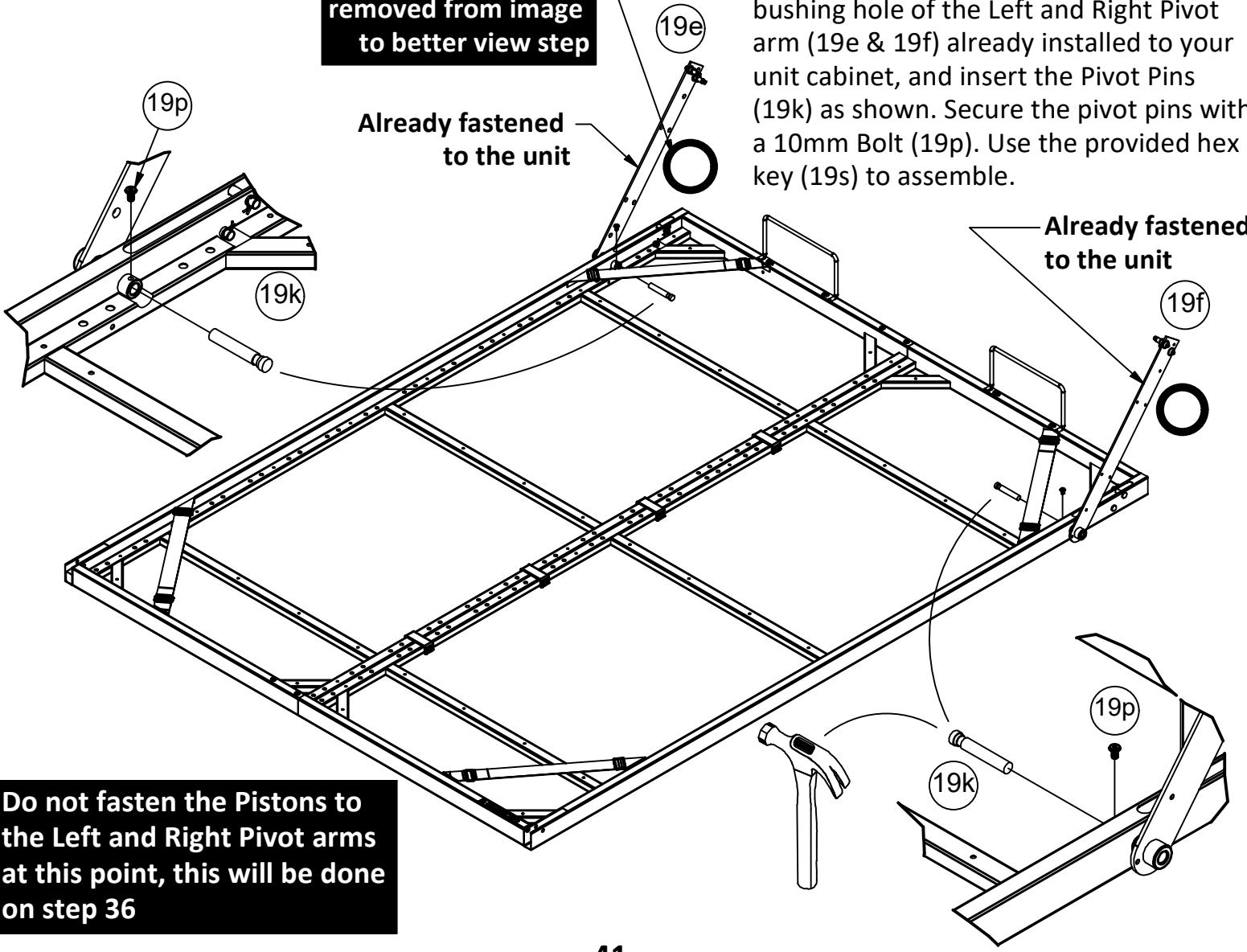
STEP 34



The cabinet is not shown to allow a clear view of the bed frame assembly

Pistons have been removed from image to better view step

Already fastened to the unit

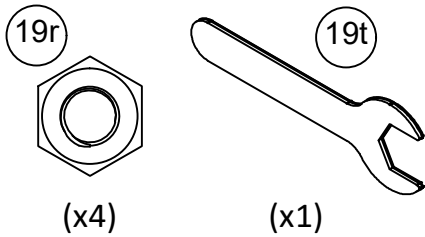


With a person on each side, lift the bed assembled bed frame, line up the holes of the frame assembly with the large bushing hole of the Left and Right Pivot arm (19e & 19f) already installed to your unit cabinet, and insert the Pivot Pins (19k) as shown. Secure the pivot pins with a 10mm Bolt (19p). Use the provided hex key (19s) to assemble.

Already fastened to the unit

Do not fasten the Pistons to the Left and Right Pivot arms at this point, this will be done on step 36

STEP 35



Critical Step... Please read directions carefully!

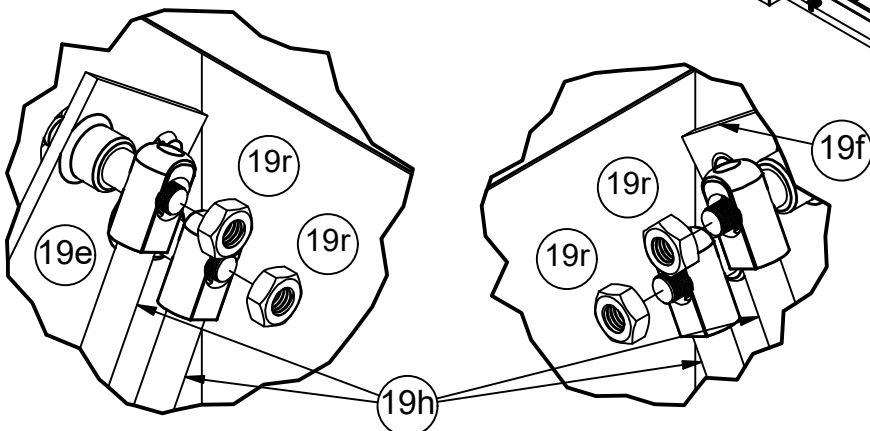
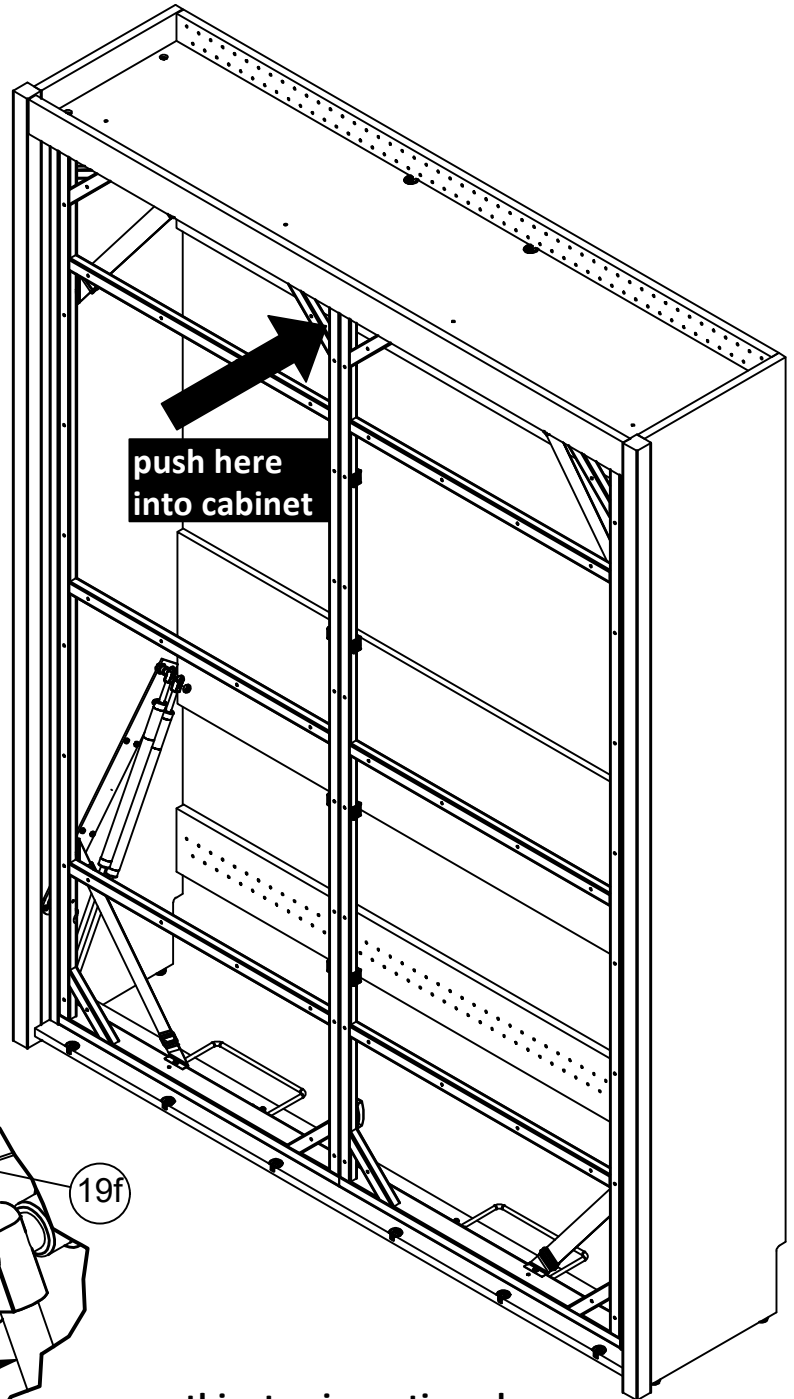
With a person on each side, carefully lift the bed frame in the closed position.

While one person pushes the bed frame into the cabinet, beyond the 90 degrees, the other person is to engage the "front" Gas Piston (19h) on each side of the unit, to the front pin of the Left and Right Pivot Arm (19e & 19f).

Then tightly secure with two Nuts (19r) using the wrench (19t) provided.

To engage the "rear" Gas Piston (19h) on each side of the unit, slowly and carefully wiggle the bed frame back and forth until you can insert the Gas Pistons (19h) onto the rear pin of the Left and Right Pivot Arm (19e & 19f).

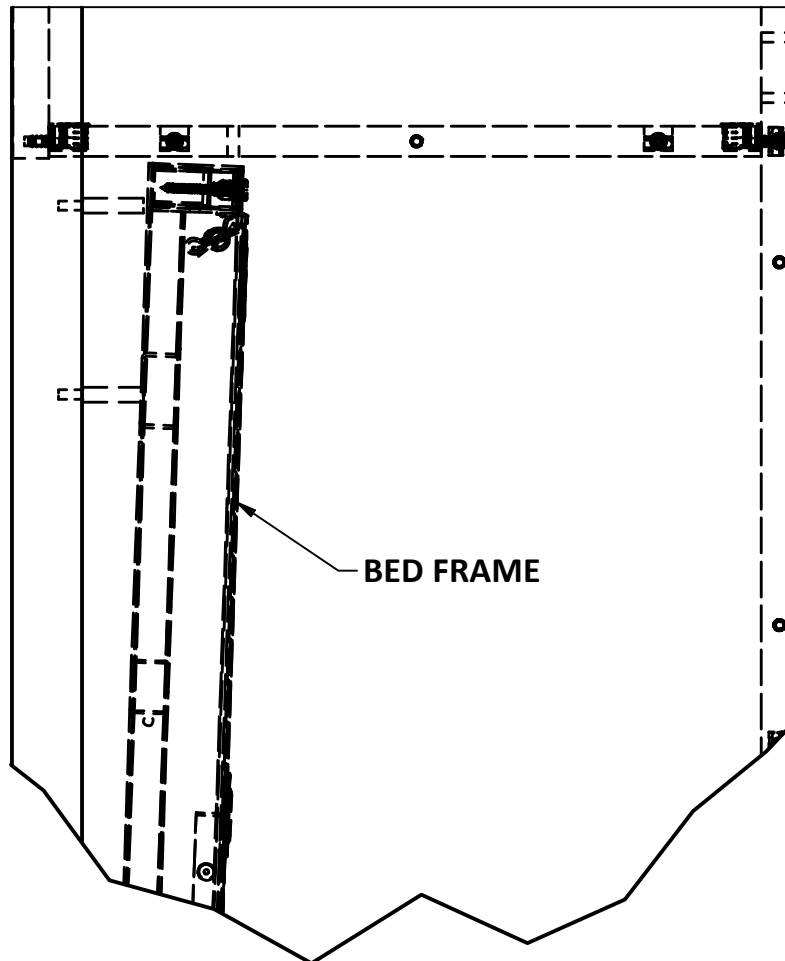
Then tightly secure with two Nuts (19r) using the wrench (19t) provided.



this step is continued on next page...

STEP 35 continued...

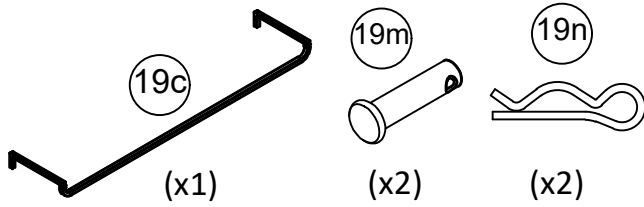
This image shows the bed frame pushed into the cabinet, beyond 90 degrees.



**90 DEGREES
(WHEN THE BED FRAME IS IN THE
UPRIGHT MOST POSITION)**

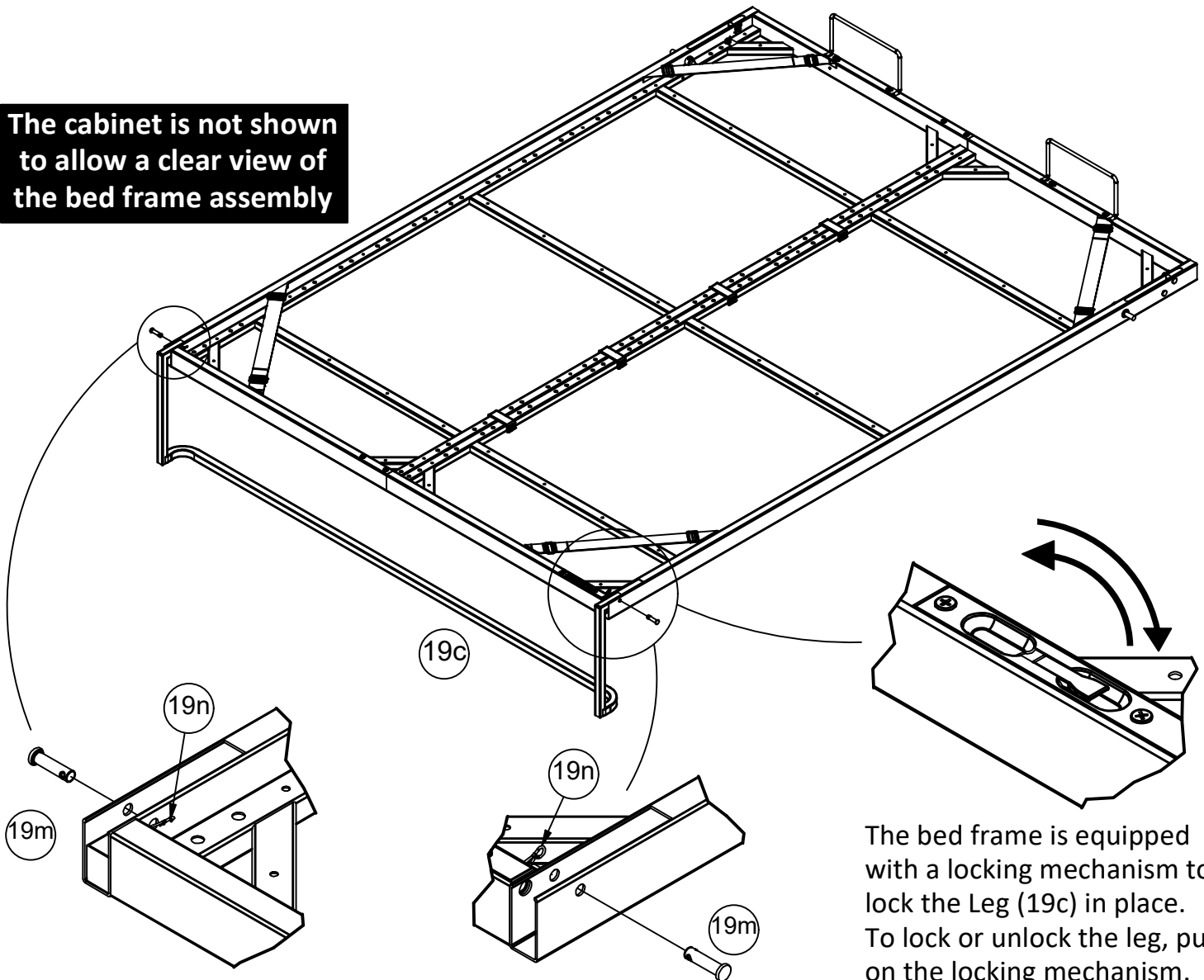
Please note: it is normal to see the bed frame in this state prior to the gas pistons being installed.

STEP 36



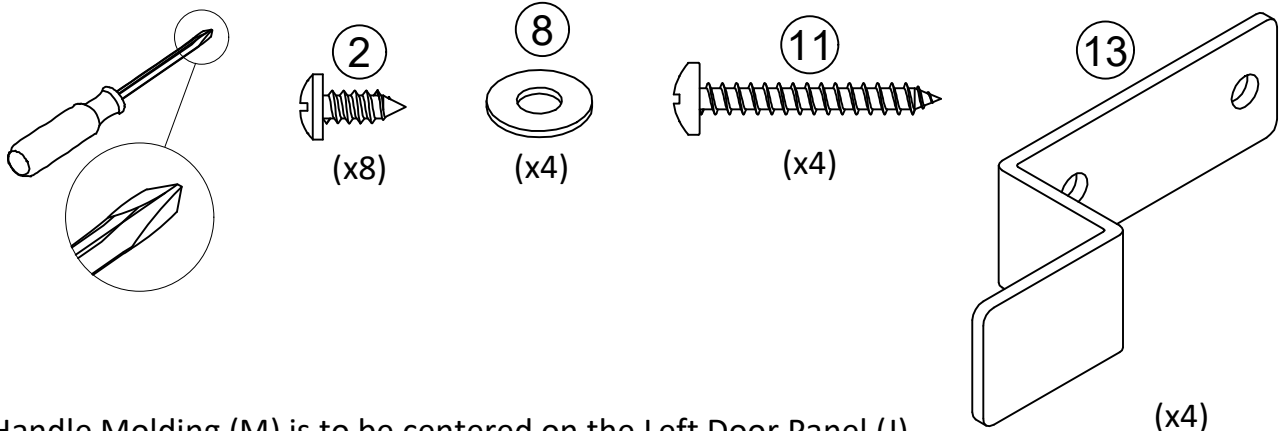
Be sure the bed frame is fully assembled to the unit cabinet. (This step could use both people). Once certain, carefully pull the bed frame down, then assemble the Leg (19c) as shown with the clevis pins (19m) and cotter pins (19n).

The cabinet is not shown to allow a clear view of the bed frame assembly

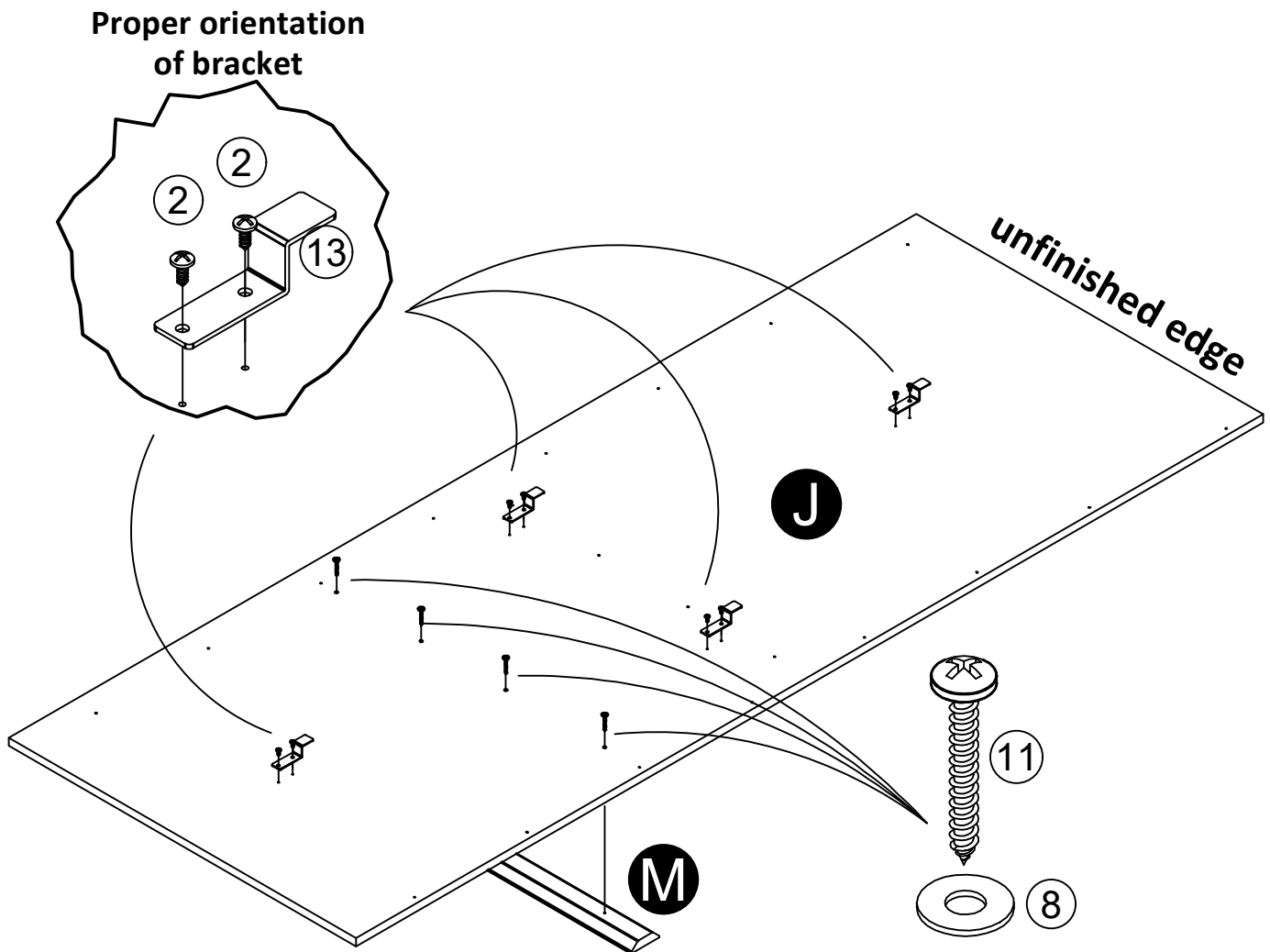


The bed frame is equipped with a locking mechanism to lock the Leg (19c) in place. To lock or unlock the leg, pull on the locking mechanism.

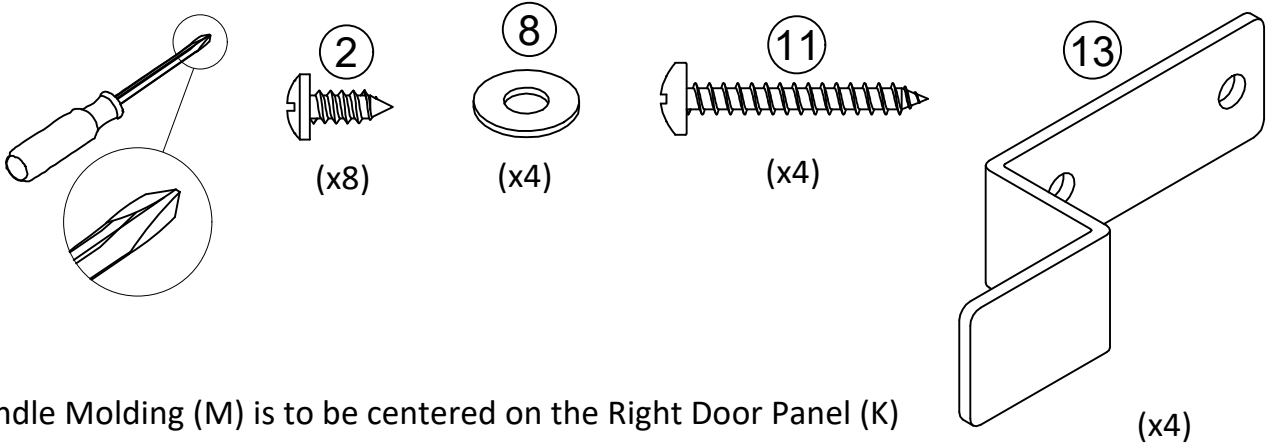
STEP 37



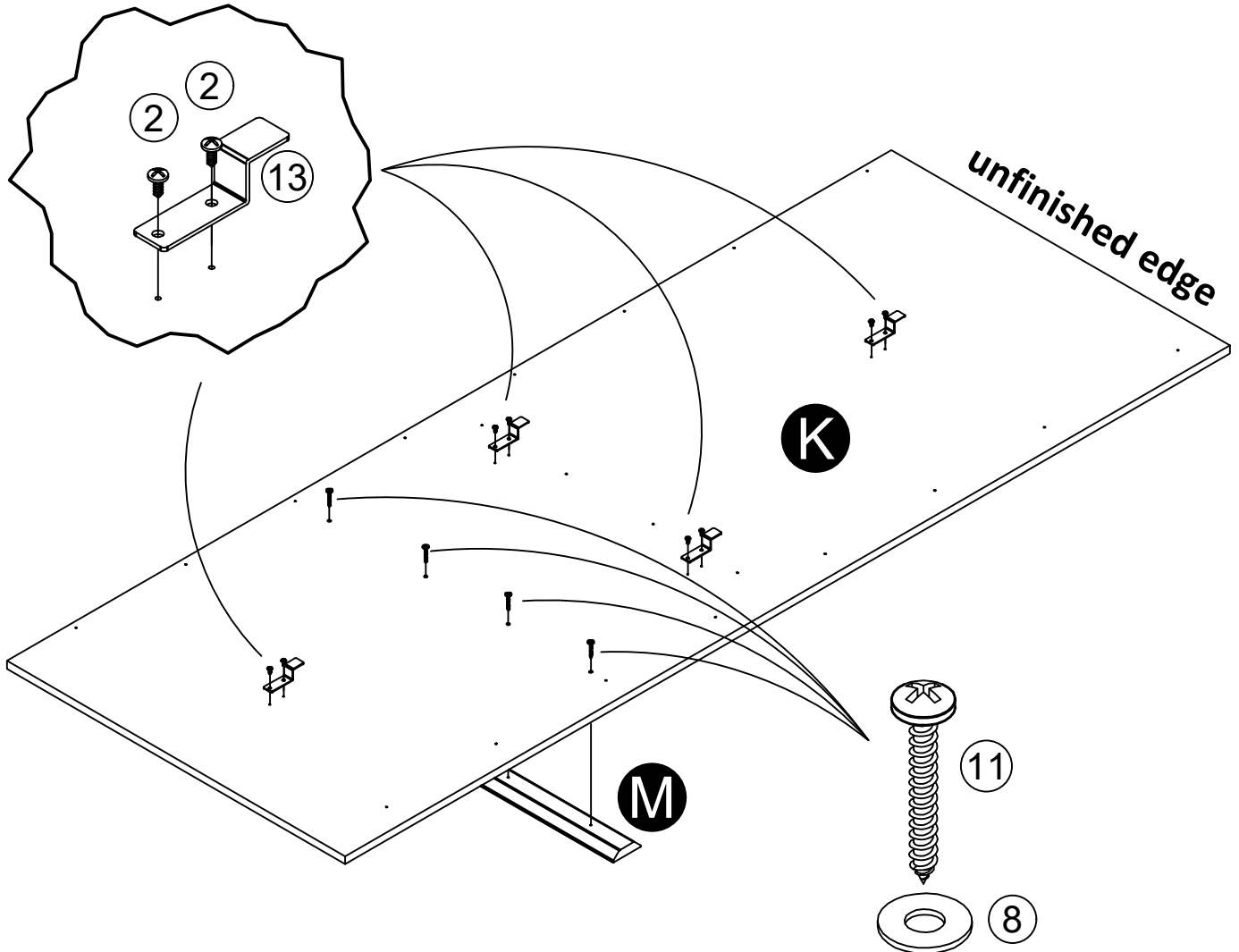
Handle Molding (M) is to be centered on the Left Door Panel (J)



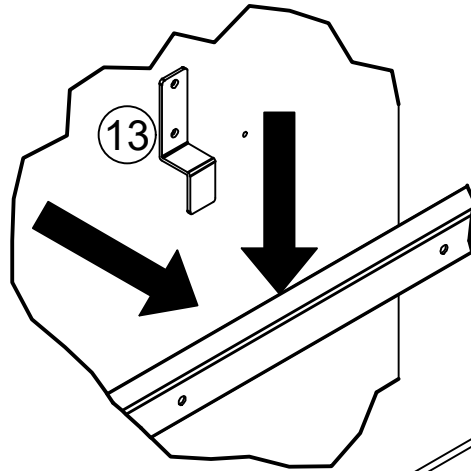
STEP 38



Proper orientation of bracket



STEP 39

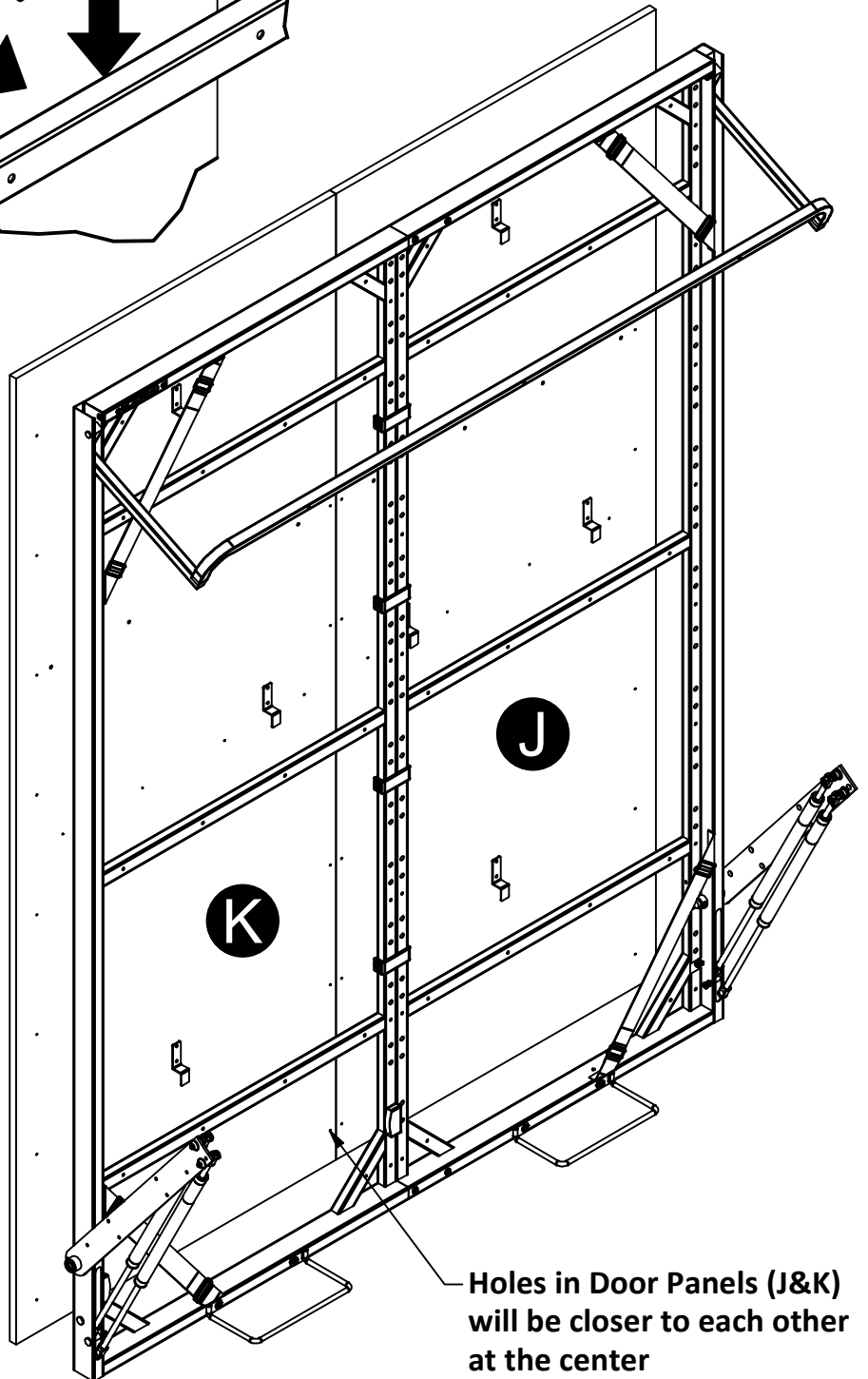


IMPORTANT:

First, unlock and flip the leg into the cabinet.
Then, lower the bed frame down a bit to allow clearance to hook Door Panels (J&K).

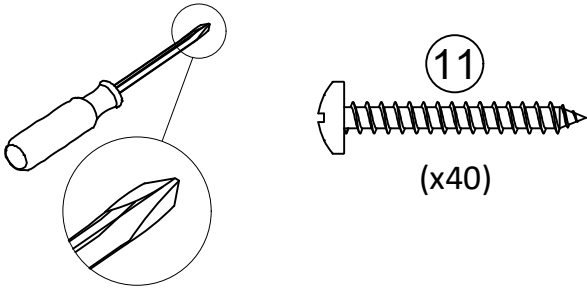
This step could use both people. Carefully lift the Left Door Panel (J), position the Brackets (13) over the three Support Rails of the Bed Frame, and drop into position. Repeat the procedure for the Right Door Panel (K).

The cabinet is not shown to allow a clear view of the bed frame assembly

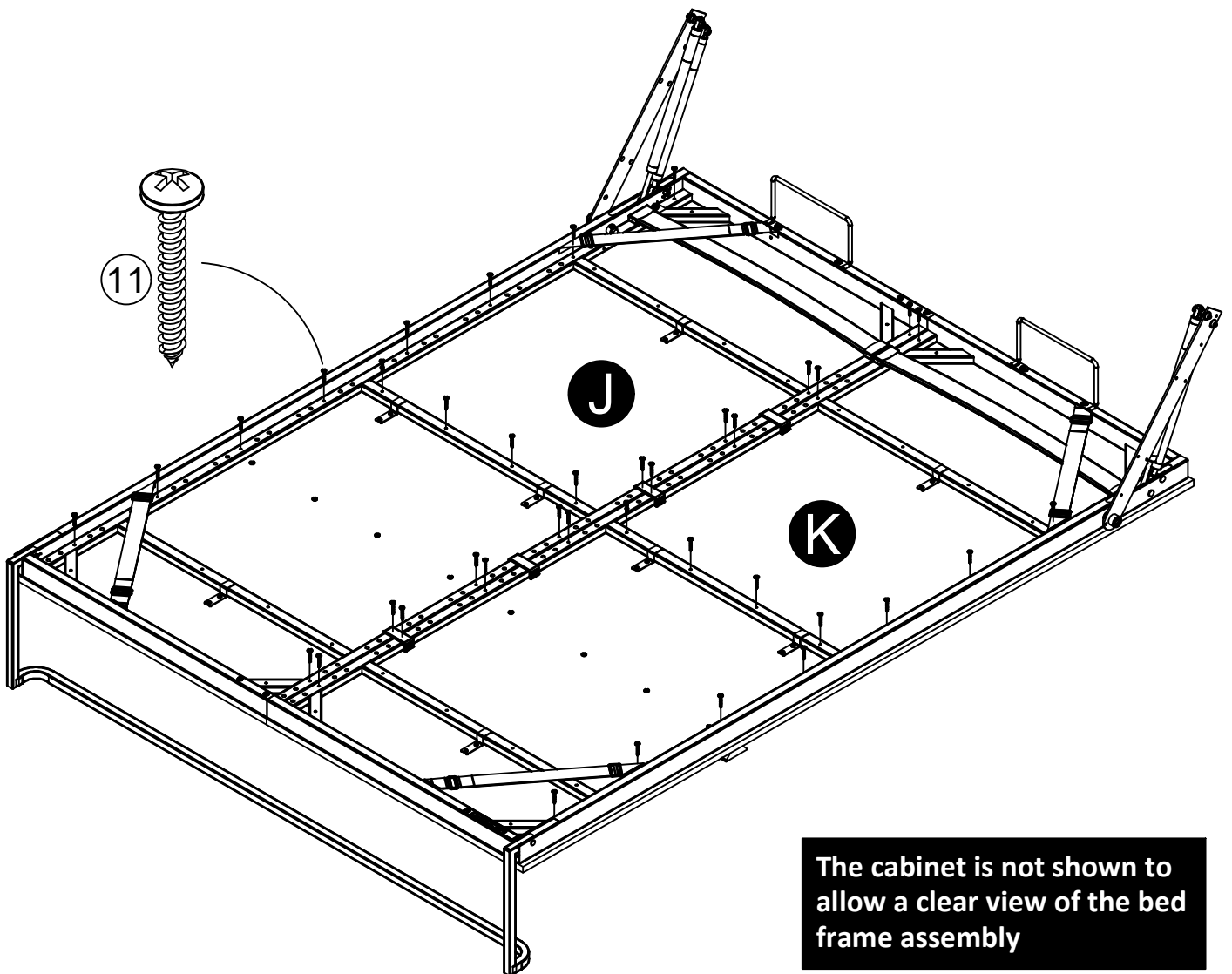


Holes in Door Panels (J&K) will be closer to each other at the center

STEP 40

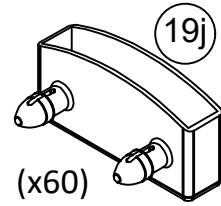
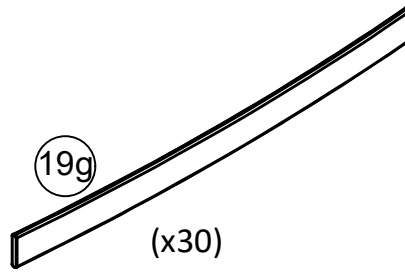
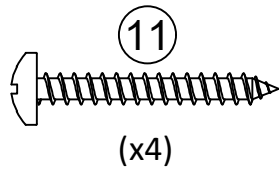
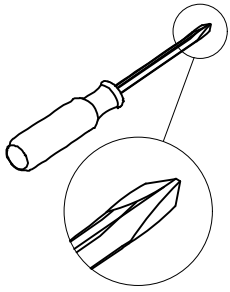


Carefully pull the bed frame open. (This could take both people). Line up the holes of the bed frame with the holes in Panels (J&K) and fasten with Screws (11).



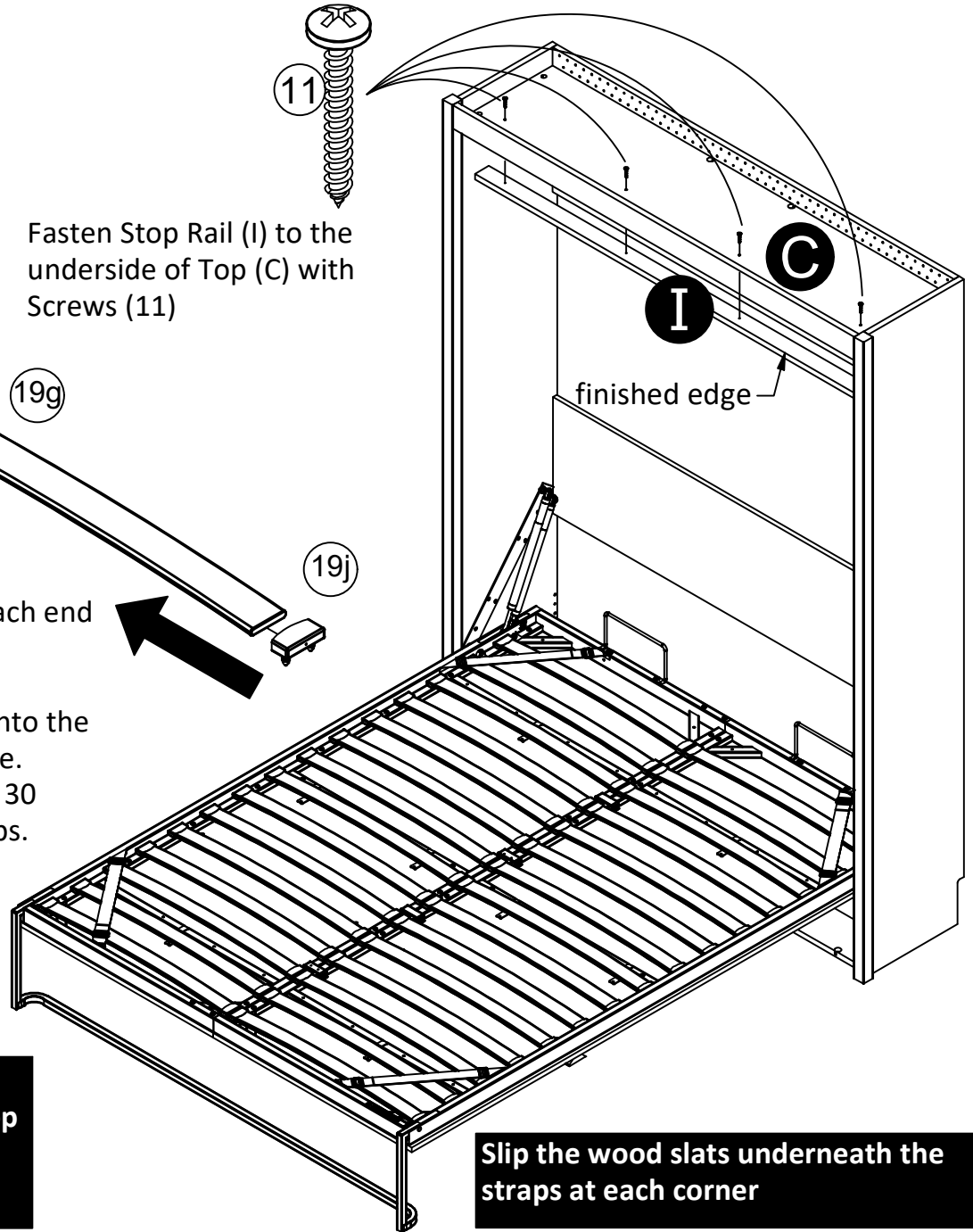
The cabinet is not shown to allow a clear view of the bed frame assembly

STEP 41



Fasten Stop Rail (I) to the underside of Top (C) with Screws (11)

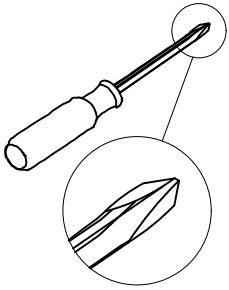
Press a Plastic Cap (19j) at each end of a Wood Slat (19g). Press both Plastic Caps (19j), attached to the Wood Slat, into the holes of the Metal Bed Frame. Repeat the procedure for all 30 wood slats and 60 plastic caps.



A ladder will be required. Do not lean against the top of the unit, it may cause sagging

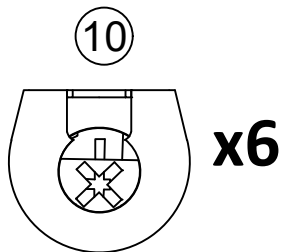
Slip the wood slats underneath the straps at each corner

STEP 42

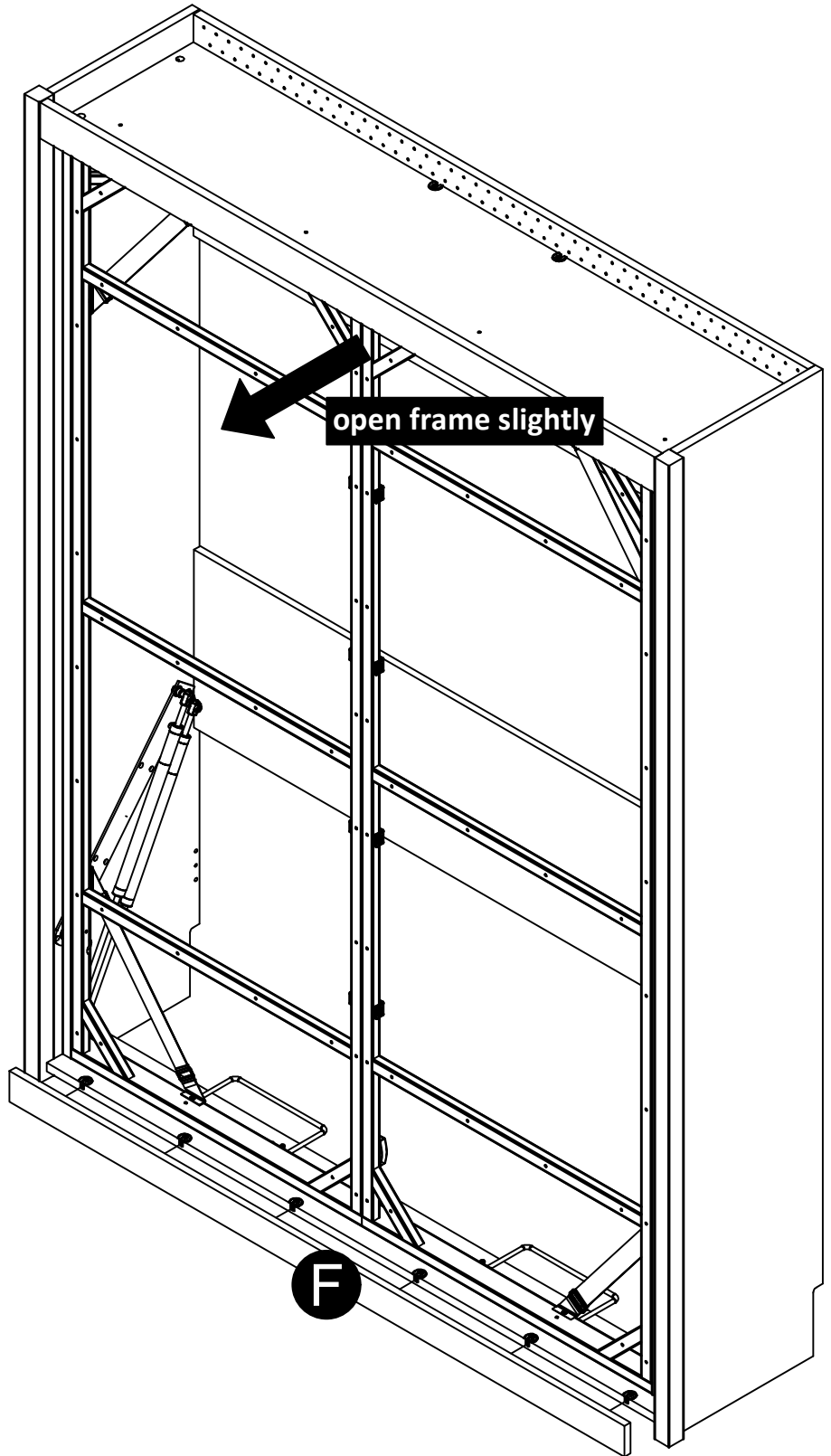
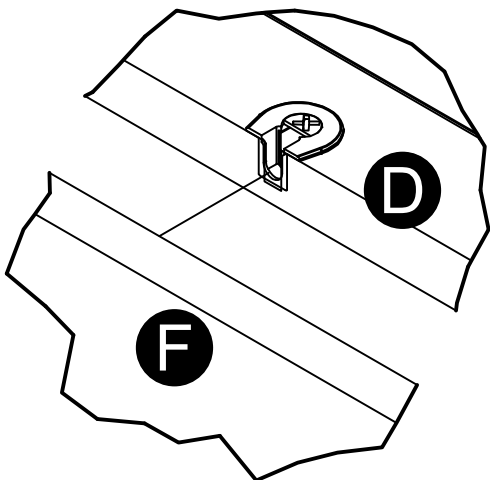


Front of unit is not shown to allow a clear view of the kick and bottom

While one person slightly opens the bed frame and holds it in place, insert the connector bolts installed in the Kick (F) into the connectors of the Bottom (D). Turn the connectors clockwise to lock in place.



turn clockwise to lock in place



Maximum Loads

This unit has been designed to support the maximum loads shown. Exceeding these load limits could cause sagging, instability, product collapse, and/or serious injury.

This bed is designed to accommodate a Queen Size Mattress, up to 10" inches thick.

- * with a maximum weight of 70 lbs (31.8 kgs)
- * with a minimum weight of 35 lbs (15.9 kgs)

After you have finished installing and assembling your wall bed, please keep the instruction manual by placing it under the mattress, in the frame of the mobile part of the bed.

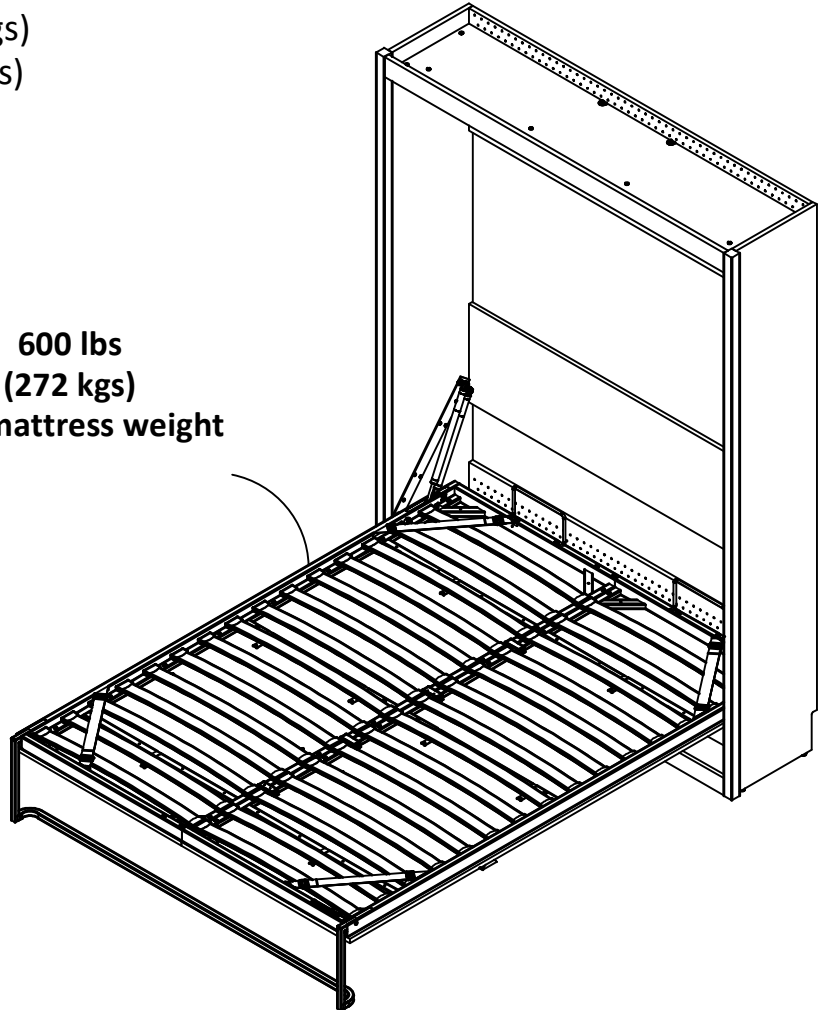
Please note:

Two people may be required to open and close the bed

**600 lbs
(272 kgs)
Plus mattress weight**

Once you've placed your fitted sheet onto your mattress, secure your mattress with the straps provided in all 4 corners of the bed frame.

Keep the bed closed when it is not in use. It is recommended not to leave pillows and/or ornamental pillows in place when the bed is closed to preserve the mechanism.



Register your product to receive the following:



- * New trend details - sneak peek on what's new
- * Surveys - have a voice within our community
- * Exclusive deals and discount codes
- * Quick and easy replacement part service

To register your product, visit ameriwoodhome.com

5 Star Rating



Visit your local retailer's website, rate your purchased product and leave us some feedback!

*Thank
You!*

Español

Portada: Cama de pared Queen Size

ESTE FOLLETO DE INSTRUCCIONES CONTIENE ADVERTENCIAS E INFORMACIÓN SOBRE LA SEGURIDAD DEL PRODUCTO. NO PROCEDA SIN UNA REVISIÓN EXHAUSTIVA. SI TIENE ALGUNA PREGUNTA, PÓNGASE EN CONTACTO CON EL SERVICIO DE ATENCIÓN AL CLIENTE.

¡No devuelva este producto!

Contáctese primero con nuestro equipo del servicio de atención al cliente para obtener ayuda.

Llame: 1-800-489-3351 (gratuito)

Visite: www.dorelhome.com

Para ver la garantía limitada válida en EE. UU. y Canadá.

Medidor de dificultad

Fácil

Profesional (ver página 2)

Página 2: Parte 1, Instalación

Advertencia: Se requiere de una instalación profesional. Este producto puede desprenderse de la pared y puede provocar lesiones severas y la muerte si no se lo fija correctamente. **Se requiere de una instalación profesional.**

- Los pasos de la instalación requerirán emplear a un profesional y la asistencia de una persona más.
- La segunda persona debe ser capaz de alzar los componentes de la cama abatible y mantenerlos posicionados mientras el profesional instala los elementos de ferretería.
- El profesional debe tener experiencia en la instalación de muebles de cocina o la instalación de televisores de pared en el tipo de pared presente en la vivienda (con montantes de madera o metal, o de hormigón).
- Los instaladores de muebles y reparadores en general pueden no contar con la experiencia requerida para instalar apropiadamente la cama.
- Antes de comprometerse o contratar a alguien para realizar la instalación, asegúrese de constatar que tenga la experiencia requerida mencionada arriba. En caso de que necesite ayuda para localizar un servicio, diríjase a <https://helpcenter.ameriwoodhome.com/>

Español

Parte 2: Montaje

- Los pasos del montaje requieren emplear a dos personas que deberán ser capaces de alzar y fijar las partes de la cama con elementos de ferretería:
- Puede seguir empleando al profesional y a una segunda persona, o bien
- Emplear a dos personas que tengan experiencia en el montaje de muebles listos para montar.

¡Advertencia!

- No destinado a su utilización por parte de niños menores de seis años.
- Con el fin de evitar lesiones y daños a esta unidad, PROHÍBA saltar y jugar de modo brusco sobre ella.
- Este producto no está destinado para su traslado, modificación, desinstalación o desmontaje una vez instalado de forma profesional.
- Este producto está diseñado para el uso hogareño y no está destinado a un uso comercial.

Página 3: Antes de comenzar

Lea atentamente cada paso y siga el orden correcto.

Separe y cuente todas las partes y elementos de ferretería antes de intentar realizar el montaje. Las partes se encuentran etiquetadas sobre su superficie o en un borde de la pieza.

Abra el artículo en el área en la que piense dejarlo. Disponga de suficiente espacio para el proceso de instalación y montaje.

Asegúrese de orientar siempre el punto situado en la parte superior del fijador excéntrico hacia el borde externo.

Nunca empuje, jale ni arrastre el mueble. No utilice productos químicos fuertes ni limpiadores abrasivos sobre este artículo.

Disponga de las siguientes herramientas: destornillador Phillips n.º 2, martillo, nivel, detector de vigas, lápiz, escalera tijera, maza de goma y taladro con brocas de 1/8" y 1/4".

Precaución: En el caso de que utilice un taladro eléctrico o un destornillador eléctrico para atornillar, esté atento a frenar y detenerse cuando el tornillo esté ajustado. Reduzca el ajuste del par de torsión a un nivel más bajo para que el taladro patine cuando el tornillo esté ajustado. No hacer esto puede generar que se estropee el tornillo.

Sistema de fijación del fijador excéntrico

Este sistema de fijación del fijador excéntrico se utilizará a lo largo del proceso de instalación y montaje.

Español

Página 4-6: Identificación de la placa

Tamaño no real

A - Ensamblaje del panel izquierdo

B - Ensamblaje del panel derecho

C - Arriba

D - Fondo

E - Cenefa

F - Patear

G - Panel trasero superior

H - Panel trasero inferior

I - Carril de parada

J - Panel de la puerta izquierda

K - Panel de la puerta derecha

L - Larguero inferior

M - Moldura de manija

Página 7:

¡ADVERTENCIA!

PELIGRO DE ASFIXIA: La bolsa de los elementos de ferretería contiene piezas pequeñas. Manténgala fuera del alcance de los niños.

Lista de piezas

Tamaño real

Tenga en cuenta que su unidad puede contener elementos de ferretería adicionales

1 - Bloqueo de leva

2 - tornillo #8x7/16" pan head

3 - tornillo #8x3-1/2" pan head

4 - Perno de leva

5 - tornillo #8x5/8" flat head

6 - pie

7 - Alfiler de madera

8 - Arandela de metal

9 - Perno de conexión

10 - conector

11 - tornillo #8x1-1/4" pan head

12 - Tuerca de inserción

13 - soporte metálico

14 - tornillo 3/16" x 3-1/4" flat

Página 8: Identificación del marco de la cama

No es el tamaño real

No todas las partes estarán identificadas.

19a - Montaje izquierdo	19l - Pasador de horquilla grande
19b - Montaje derecho	19m - Pasador de horquilla pequeño
19c - Pata	19n - Pasador de chaveta
19d - Soporte del colchón	19o - Perno M6 x 16 mm
19e - Brazo pivotante izquierdo	19p - Perno M6 x 10 mm
19f - Brazo pivotante derecho	19q - Arandela
19g - Lama de madera	19r - Tuerca hexagonal
19h - Pistón de gas	19s - Llave hexagonal de 4 mm
19i - Soporte en U	19t - Llave inglesa
19j - Tapa de plástico	19u - Pie de goma
19k - Pasador de pivote	

Página 9: Parte 1, Instalación

Advertencia: Instalación profesional requerida. Este producto puede desprenderse de la pared y puede provocar lesiones severas y la muerte si no se lo fija correctamente. **Se requiere de una instalación profesional.**

Los pasos de la instalación requerirán emplear a un profesional y la asistencia de una persona más. Los pasos de la instalación abarcarán las páginas 10-35.

Se requiere de un profesional para:

- todos los pasos que impliquen fijar elementos de ferretería
- identificar la estructura de la pared y los elementos de ferretería adecuados a utilizar para la fijación
- emplear elementos de ferretería seleccionados para sujetar la estructura a la pared
- confirmar que la estructura esté fijada de manera correcta y segura

Se necesita a la segunda persona para:

- alzar los componentes de la cama abatible y sostenerlos en su posición mientras el profesional los instala

Español

Página 10: Paso 1

Orientación de la cerradura de leva

Voltear

Orientación correcta del conector

Página 11, 12: Paso 2, 3

Orientación de la cerradura de leva

Página 13, 15: Paso 4, 6

Orientación de la cerradura de leva

Orientación correcta del conector

Página 17: Paso 8

El brazo pivotante izquierdo (19e) se encuentra en la caja del mecanismo de la cama abatible 9632096COM

Página 19: Paso 10

El brazo pivotante derecho (19f) se encuentra en la caja del mecanismo de la cama abatible 9632096COM

Página 20, 21: Paso 11, 12

Gire en sentido horario para trabar en su sitio

Borde no acabado

Página 23: Paso 14

Borde no acabado

Página 24: Paso 15

Comience en un extremo y avance hasta el otro para alinear las piezas antes de trabar los fijadores excéntricos

Página 25: Paso 16

Con cuidado, acueste la unidad con el frente hacia abajo. Introduzca los casquillos (12) golpeándolos suavemente con un martillo y luego atornille completamente los tornillos de cabeza redonda (6).

Página 26:

Los siguientes pasos consisten en fijar la unidad a la pared. Los pasos de la fijación a la pared abarcarán las páginas 27-35.

Advertencia: Instalación profesional requerida. Este producto puede desprenderse de la pared y puede provocar lesiones severas y la muerte si no se lo fija correctamente. **Se requiere de una instalación profesional.**

Un profesional debe completar los siguientes pasos.

La segunda persona puede asistir manteniendo el gabinete en posición mientras el profesional completa los pasos del alineamiento, la nivelación y la instalación.

- La unidad **DEBE** estar a escuadra (en altura, ancho y profundidad) para funcionar correctamente.
- La unidad **DEBE** colocarse al ras de la pared.
- La unidad **DEBE** atornillarse en **TRES** montantes **DISTINTOS** por arriba y abajo por seguridad.
- El profesional debe seleccionar los elementos de ferretería a utilizar que sean apropiados para instalar la unidad a la estructura de la pared. Los elementos de ferretería provistos incluyen opciones para montantes de madera, montantes de metal y hormigón.
- **NO** utilice tarugos de anclaje a muros para fijar su unidad a la pared.

Este producto no fue diseñado para ser trasladado, modificado, desinstalado o desmontado una vez que ha sido instalado de manera profesional. Seleccione cuidadosamente el lugar de su instalación con la ayuda del profesional.

Español

Página 27: Paso 17

Con cuidado, coloque la unidad AL RAS de la pared.

En la parte trasera de la unidad hay muescas. Estas deben coincidir con el zócalo de la pared. Si el zócalo es más alto o más grueso que las muescas incluidas en la unidad, tendrá que quitar el zócalo, cortarlo para que quepa en ambos lados de la unidad y volver a fijarlo luego a la pared.

Página 28: Paso 18

Utilice un nivel para asegurarse de que la unidad esté a escuadra (en altura, ancho y profundidad) y así funcione correctamente.

Tenga esto en cuenta para los siguientes pasos: Se ha quitado la falda de cama (E) para que los agujeros del panel trasero superior (G) se vean mejor.

Requerirá de una escalera. No se apoye contra la parte superior de la unidad; podría provocar un hundimiento.

En caso de requerirlo, desenrosque los tornillos de cabeza redonda en sentido antihorario según necesite en las cuatro esquinas hasta que la unidad esté nivelada en todas las direcciones.

Página 29: ¿Qué tipo de pared tiene?

Para los pasos 19 y 20, necesitará elegir entre dos tipos de tornillos a utilizar de acuerdo al tipo de pared sobre la cual esté instalando este producto.

Montantes de madera y de metal: Siga las indicaciones de los pasos 19 y 20, Montantes de madera y de metal, páginas 30 y 31.

Hormigón: Sigas las indicaciones de los pasos 19 y 20, páginas 33 y 34.

Página 30: Paso 19, Montantes de madera y de metal

Ubique al menos TRES montantes DISTINTOS en dirección horizontal, aunque es mejor ubicar cuatro.

Ubique los montantes en la pared mediante un detector de vigas. Con un lápiz, marque las ubicaciones de los montantes sobre la superficie superior del panel trasero superior (G), donde se encuentran los agujeros preperforados. Con la ayuda de un nivel, localice los montantes hasta llegar al larguero inferior (L) y marque con un lápiz la ubicación de los montantes donde se encuentran los agujeros preperforados.

Distancia promedio entre montantes (16")

Montantes

Requerirá de una escalera. No se apoye contra la parte superior de la unidad; podría provocar un hundimiento

Página 31: Paso 20, Montantes de madera y de metal

En primer lugar, asegúrese de que la unidad esté nivelada en todas las direcciones.

Tal como se muestra en la vista de la derecha, fije la unidad a los montantes con tornillos (3) y arandelas (8). Esta vista muestra el panel trasero superior (G), pero haga lo mismo con el larguero inferior (L). Debe colocar al menos tres tornillos en tres montantes distintos, en dirección horizontal, aunque es mejor atornillar cuatro en la pieza G y la pieza L.

Requerirá de una escalera. No se apoye contra la parte superior de la unidad; podría provocar un hundimiento.

Página 32: Paso 20 (continuación)

Ejemplo de cuatro tornillos ubicados horizontalmente en montantes en la pieza G y la pieza L. Tenga en cuenta que esto es solo un ejemplo; todas las distancias de los montantes son distintas.

Página 33: Paso 19, Hormigón

Elija cuatro agujeros preperforados horizontales de forma pareja a lo largo del panel trasero superior (G). Traslade y utilice los mismos agujeros preperforados para el larguero inferior (L).

Con un lápiz, marque las ubicaciones sobre la superficie superior del panel trasero superior (G), donde se encuentran los agujeros preperforados. Con la ayuda de un nivel, traslade las ubicaciones al larguero inferior (L) y marque con un lápiz las ubicaciones donde se encuentran los agujeros preperforados.

Requerirá de una escalera. No se apoye contra la parte superior de la unidad; podría provocar un hundimiento

Página 34: Paso 20, Hormigón

En primer lugar, asegúrese de que la unidad esté nivelada en todas las direcciones.

Tal como se muestra en la vista de la derecha, fije la unidad a la pared de hormigón con tornillos (14) y arandelas (8). La vista muestra el panel trasero superior (G), pero haga lo mismo con el larguero inferior (L). Debe colocar al menos tres tornillos en tres ubicaciones distintas, en dirección horizontal, aunque es mejor atornillar cuatro en la pieza G y la pieza L.

Requerirá de una escalera. No se apoye contra la parte superior de la unidad; podría provocar un hundimiento.

Página 35: Paso 20 (continuación)

Ejemplo de cuatro tornillos colocados en montantes en sentido horizontal en la pieza G y la pieza L. Tenga en cuenta que esto es solo un ejemplo; todas las distancias de los montantes son distintas.

Página 36: Parte 2, Montaje

Los siguientes pasos consisten en montar el mecanismo del marco metálico de la cama y los paneles de las puertas. Los pasos del montaje abarcarán las páginas 37-50.

Tal como se mencionó en la página 2, elija una de las dos opciones siguientes:

- Puede seguir empleando al profesional y la segunda persona, o bien
- Emplear a dos personas que tengan experiencia con el montaje de muebles listos para montar.

Se requieren dos personas para:

- alzar y unir las partes de la cama de forma segura con elementos de ferretería

Estas partes se encuentran en la caja del mecanismo para la cama abatible #9632096COM

Página 37: Paso 30

En primer lugar, presione cada taco de goma (19u) para introducirlo en cada agujero de la pata (19c), tal como se muestra abajo.

Luego una y monte los ensamblajes izquierdo y derecho del marco de la cama (19a y 19b), tal como se muestra abajo, utilizando pernos (19o) y la llave Allen (19s).

Puede utilizar una maza de goma para ayudarse a unir los dos ensamblajes del marco.

Página 38: Paso 31

Coloque los cuatro soportes U (19i) en su sitio.

Utilice los pernos (19o) y las arandelas (19q) para montar los soportes U (19i) en los ensamblajes ya unidos del marco de la cama (19a y 19b), tal como se muestra.

Utilice la llave Allen (19s) provista para el ensamblaje.

Encontrará las cuatro ubicaciones de los soportes U (19i) allí donde se encuentran los agujeros, en el costado de los ensamblajes del marco (19a y 19b).

Página 39: Paso 32

Monte los sujetacolchones (19d) a los ensamblajes del marco (19a y 19b) con pernos (19p), tal como se muestra a la derecha. Utilice la llave Allen (19s) provista para el montaje.

Español

Página 40: Paso 33

Monte dos pistones (19h) en cada lado del ensamblaje del marco de la cama con pasadores de chaveta (19l) y asegure cada uno con una chaveta (19n).

El extremo "largo" de cada pistón debe fijarse al marco

Durante su montaje, debe insertar los extremos de ambos pistones en la ranura del marco de la cama.

Extremo largo

Extremo corto

Página 41: Paso 34

No se muestra el gabinete para permitir que el ensamblaje del marco de la cama se vea claramente

Con una persona de cada lado, alce el marco de la cama ensamblado a la cama, alinee los agujeros del ensamblaje del marco con el agujero grande del cojinete de los brazos pivotantes izquierdo y derecho (19e y 19f) ya instalados a la unidad del gabinete, e introduzca las clavijas pivotantes (19k) tal como se muestra. Asegure las clavijas pivotantes con un perno de 10 mm (19p). Utilice la llave Allen (19s) provista para el montaje.

Se han quitado los pistones de la imagen para visualizar mejor el paso

Ya fijado a la unidad

No fije los pistones a los brazos pivotantes izquierdo y derecho en este momento. Esto se hará en el paso 36.

Página 42: Paso 35

Paso crucial: ¡Lea atentamente las indicaciones!

Con una persona de cada lado, alce cuidadosamente el marco de la cama en la posición cerrada.

Mientras una persona empuja el marco de la cama en el gabinete, más allá de los 90 grados, la otra persona debe enganchar el pistón de gas "delantero" (19h) a cada lado de la unidad, al pin delantero del brazo de pivote izquierdo y derecho (19e y 19f).

Luego asegure firmemente con dos tuercas (19r) utilizando la llave inglesa (19t) provista.

Español

Para acoplar el pistón "trasero" a gas (19h) a cada lado de la unidad, mueva el marco de la cama de un lado al otro de manera lenta y con cuidado hasta que pueda introducir los pistones a gas (19h) en la clavija trasera de los brazos pivotantes izquierdo y derecho (19e y 19f).

Luego asegure firmemente con dos tuercas (19r) utilizando la llave inglesa (19t) provista.

Empuje aquí hacia el gabinete

Este paso continúa en la página siguiente...

Página 43: Paso 35 (continuación)

Esta imagen muestra el marco de la cama empujado hacia el gabinete, más allá de los 90 grados.

Marco de la cama

90 GRADOS (CUANDO EL MARCO DE LA CAMA ESTÁ EN LA POSICIÓN MÁS VERTICAL)

Tenga en cuenta: Es normal ver el marco de la cama en este estado antes de la instalación de los pistones a gas.

Página 44: Paso 36

Asegúrese de que el marco de la cama esté completamente montado a la unidad del gabinete. (Para este paso podría emplear a ambas personas). Una vez que esté seguro de poder hacerlo, tire cuidadosamente del marco de la cama hacia abajo y ensamble luego la pata (19c), tal como se muestra, con los pasadores de chaveta (19m) y las chavetas (19n).

No se muestra el gabinete para permitir una vista clara del ensamblaje del marco de la cama

Coloque la etiqueta de advertencia aquí

El marco de la cama está equipado con un mecanismo de bloqueo para trabar la pata (19c) en su lugar. Para trabar o destrabar la pata, jale del mecanismo de bloqueo.

Página 45: Paso 37

La moldura de la manija (M) debe centrarse en el panel de la puerta izquierda (J)

Orientación correcta del soporte

Borde no acabado

Página 46: Paso 38

La moldura de la manija (M) debe centrarse en el panel de la puerta derecha (K)

Orientación correcta del soporte

Borde no acabado

Español

Página 47: Paso 39

¡IMPORTANTE!

Primero desbloquee y voltee la pata hacia el gabinete. Luego baje un poco el marco de la cama a fin de dar espacio para enganchar los paneles de las puertas (J y K).

Para este paso podría emplear a ambas personas. Alce cuidadosamente el panel de la puerta izquierda (J), ubique los soportes (13) sobre las tres barandas de apoyo del marco de la puerta y baje aquel hasta su posición. Repita el procedimiento para el panel de la puerta derecha (K).

No se muestra el gabinete para permitir una vista clara del ensamblaje del marco de la cama
Los agujeros de los paneles de las puertas (J y K) estarán más cerca unos de otros en el centro

Página 48: Paso 40

Tire cuidadosamente del marco de la cama para abrirla. (Esto podría requerir de ambas personas). Alinee los agujeros del marco de la cama con los agujeros de los paneles (J y K) y fije con tornillos (11).

No se muestra el gabinete para permitir una vista clara del ensamblaje del marco de la cama

Página 49: Paso 41

Fije la baranda de tope (I) a la parte inferior de la pieza de arriba (C) utilizando tornillos (11)

Coloque a presión una tapa de plástico (19j) en cada extremo de los listones de madera (19g).
Coloque a presión ambas tapas de plástico (19j), fijadas al listón de madera, en los agujeros del marco metálico de la cama. Repita el procedimiento para los 30 listones y las 60 tapas de plástico.

Requerirá de una escalera. No se apoye contra la parte superior de la unidad; podría provocar un hundimiento

Haga pasar los listones de madera por debajo de las correas de cada esquina

Borde acabado

Página 50: Paso 42

No se muestra el frente de la unidad para permitir una vista clara de la placa de puntapiés y la pieza inferior

Mientras una persona abre levemente el marco de la cama y lo sostiene en su sitio, inserte los pernos conectores instalados en la placa de puntapiés (F) dentro de los conectores de la pieza inferior (D). Gire los conectores en sentido horario para trabarlos.

Gire en sentido horario para trabar

Abra levemente el marco

Español

Página 51: Cargas máximas

Esta unidad ha sido diseñada para soportar las cargas máximas mostradas. Exceder estos límites de carga podría generar un hundimiento, inestabilidad, el desplome del producto o lesiones graves.

Esta cama está diseñada para alojar un colchón *queen size* de hasta 10 pulgadas de grosor.

* con un peso máximo de 70 lb (31,8 kg)

* con un peso mínimo de 35 lb (15,9 kg)

Una vez que haya terminado de instalar y montar la cama abatible, conserve el manual de instrucciones y sitúelo debajo del colchón, en el marco de la parte móvil de la cama.

Tenga en cuenta:

Pueden requerirse dos personas para abrir y cerrar la cama

Una vez que le haya puesto la sábana ajustable al colchón, asegure el mismo con las correas provistas en las cuatro esquinas del marco de la cama.

Mantenga la cama cerrada cuando no esté siendo utilizada.

Se recomienda no dejar almohadas ni almohadones decorativos al cerrar la cama a fin de preservar el mecanismo.

600 lb (272 kg) más el peso del colchón

Página 52: Registro

Registre su producto para recibir lo siguiente:

- * Detalles sobre las nuevas tendencias: Un adelanto de las novedades
- * Encuestas: Tenga voz en nuestra comunidad
- * Ofertas exclusivas y códigos de descuento
- * Servicio de entrega de repuestos de manera rápida y fácil

Para registrar su producto, visite ameriwoodhome.com

Calificación de 5 estrellas

¡Visite el sitio web de su minorista local, califique el producto adquirido y déjenos sus comentarios!

¡Gracias!

Page de couverture : Lit mural Queen Size

CE LIVRET D'INSTRUCTIONS CONTIENT DES AVERTISSEMENTS ET DES INFORMATIONS SUR L'INNOCUITÉ DU PRODUIT. NE PROCÉDEZ PAS SANS UN EXAMEN APPROFONDI. POUR TOUTE QUESTION, VEUILLEZ CONTACTER LE SERVICE À LA CLIENTÈLE.

Ne renvoyez pas ce produit!

Contactez d'abord notre service clientèle pour obtenir de l'aide.

Appelez-nous : 1-800-489-3351 (gratuit)

Rendez-vous sur : www.dorelhome.com

pour consulter la garantie limitée valable aux États-Unis et au Canada.

Indicateur de difficulté

Facile

Professionnel (consultez la page 2)

Page 2 : Partie 1 - Installation

Avertissement - Une installation professionnelle est nécessaire - Ce produit peut se détacher du mur et provoquer des blessures graves, voire mortelles, s'il n'est pas correctement fixé. **Une installation professionnelle est nécessaire.**

- Les étapes de l'installation nécessiteront l'intervention d'un professionnel et d'une autre personne pour vous aider.
- La deuxième personne doit être capable de soulever les éléments du lit mural et de les maintenir en position pendant que le professionnel installe la quincaillerie.
- Le professionnel doit avoir de l'expérience dans l'installation d'armoires de cuisine ou de téléviseurs muraux dans le type de mur présent dans la maison (bois, métal ou béton).
- Les installateurs de meubles et les bricoleurs en général peuvent ne pas avoir l'expertise requise pour installer correctement le lit.
- Avant d'engager quelqu'un pour effectuer l'installation, assurez-vous qu'il possède l'expérience requise. Si vous avez besoin d'aide pour trouver un service, rendez-vous sur <https://helpcenter.ameriwoodhome.com/>

Français

Partie 2 - Assemblage

- Les étapes d'assemblage nécessitent l'intervention de deux personnes qui doivent être en mesure de soulever et de fixer les pièces du lit à l'aide de la quincaillerie :
- Vous pouvez continuer à utiliser le professionnel et une deuxième personne, ou
- Faites appel à deux personnes qui ont de l'expérience dans le montage de meubles prêts à être assemblés.

Attention!

- Ne doit pas être utilisé par des enfants de moins de 6 ans.
- Pour éviter les blessures et les dommages à cet appareil, INTERDISEZ les sauts et les jeux d'enfants.
- Ce produit n'est pas destiné à être déplacé, modifié, désinstallé ou démonté une fois qu'il a été installé par un professionnel.
- Ce produit est conçu pour un usage domestique et n'est pas destiné à un usage commercial.

Page 3 : Avant de commencer

Lisez attentivement chaque étape et suivez l'ordre approprié.

Séparez et comptez toutes les pièces et la quincaillerie avant de procéder à l'assemblage.

Les pièces sont étiquetées sur la surface ou le bord de la pièce.

Ouvrez votre article dans un endroit où vous prévoyez de le conserver. Prévoyez suffisamment d'espace pour l'installation et le montage.

Veillez à toujours orienter la pointe située sur le dessus de la serrure à came vers le bord extérieur.

Ne poussez pas, ne tirez pas et ne traînez pas vos meubles. N'utilisez pas de produits chimiques agressifs ou de nettoyeurs abrasifs sur cet article.

Munissez-vous des outils suivants : tournevis cruciforme n° 2, marteau, niveau, détecteur de goujons, crayon, escabeau, maillet en caoutchouc et perceuse avec mèches de 1/8 de po et 1/4 de po.

Attention : Si vous utilisez une perceuse ou une visseuse électrique pour visser, veillez à ralentir et à vous arrêter lorsque la vis est serrée. Réduisez le réglage du couple à un niveau inférieur afin que la perceuse saute lorsque la vis est serrée. Si vous ne le faites pas, vous risquez d'arracher la vis.

Système de fixation par serrure à came

Ce système de fixation par serrure à came sera utilisé tout au long du processus d'installation et d'assemblage.

Français

Page 4-6 : Identification du panneau

Taille non réelle

A - Assemblage du panneau de gauche
B - Assemblage du panneau de droite
C - Haut de la page
D - En bas
E - Valance
F - Coup de pied
G - Panneau du haut du dos
H - Panneau inférieur du dos

I - Rail d'arrêt
J - Panneau de porte gauche
K - Panneau de porte de droite
L - Stringer inférieur
M - Moulage de poignée

Page 7 : ATTENTION!

DANGER D'ETOUFFEMENT - Le sac de matériel contient de petites pièces. Tenir hors de portée des enfants.

Liste des pièces

Taille réelle

Notez que votre appareil peut contenir du matériel supplémentaire

- 1 - Verrouillage de la came
- 2 - vis #8 x 7/16" pan head
- 3 - vis #8 x 3-1/2" pan head
- 4 - Boulon à cames
- 5 - vis #8 x 5/8" pan head
- 6 - pied
- 7 - Goupille en bois
- 8 - Rondelle métallique
- 9 - Boulon de connexion
- 10 - connecteur
- 11 - vis #8 x 1-1/4" pan head
- 12 - Insérer un écrou
- 13 - Support métallique
- 14 - vis #3/16" x 3-1/4" pan

Page 8 : Identification du cadre de lit

Pas la taille réelle

Toutes les pièces ne sont pas identifiées.

19a - Assemblage gauche	19l - Grand axe de chape
19b - Assemblage droit	19m - Petit axe de chape
19c - Pied	19n - Goupille fendue
19d - Support de matelas	19o - Boulon M6 x 16 mm
19e - Bras pivotant gauche	19p - Boulon M6 x 10 mm
19f - Bras pivotant droit	19q - Rondelle
19g - Lamelle en bois	19r - Écrou hexagonal
19h - Piston à gaz	19s - Clé hexagonale de 4 mm
19i - Support en U	19t - Clé
19j - Capuchon en plastique	19u - Pied en caoutchouc
19k - Goupille de pivot	

Page 9 : Partie 1 - Installation

Avertissement - Une installation professionnelle est nécessaire - Ce produit peut se détacher du mur et provoquer des blessures graves, voire mortelles, s'il n'est pas correctement fixé. **Une installation professionnelle est nécessaire.**

Les étapes de l'installation nécessitent l'intervention d'un professionnel et d'une autre personne pour l'aider. Les étapes de l'installation couvrent les pages 10 à 35.

Le statut de professionnel est requis pour :

- toutes les étapes de fixation du matériel
- identifier la structure du mur et le matériel de fixation approprié à utiliser
- l'utilisation de matériel sélectionné pour fixer la structure au mur
- vérifier que la structure est correctement et solidement fixée.

La deuxième personne est recherchée pour :

- soulever les éléments du lit mural et les maintenir en position pendant que le professionnel les installe.

Français

Page 10 : Étape 1

Orientation correcte de la serrure à came

Retournement

Orientation correcte du connecteur

Page 11, 12 : Étape 2, 3

Orientation correcte de la serrure à came

Page 13, 15 : Étape 4, 6

Orientation correcte de la serrure à came

Orientation correcte du connecteur

Page 17 : Étape 8

Le bras pivotant gauche (19e) se trouve dans la boîte 9632096COM Mécanisme de lit mural.

Page 19 : Étape 10

Le bras pivotant droit (19f) se trouve dans la boîte 9632096COM Mécanisme de lit mural.

Page 20, 21 : Étape 11, 12

Tournez dans le sens des aiguilles d'une montre pour verrouiller en place

Bord non fini

Page 23 : Étape 14

Bord non fini

Page 24 : Étape 15

Commencez par une extrémité et progressez vers l'autre extrémité pour aligner les pièces avant de serrer à came.

Page 25 : Étape 16

Posez délicatement l'appareil sur sa face avant. Tapez sur les bagues (12) à l'aide d'un marteau, puis vissez les patins (6) jusqu'au bout.

Page 26:

Les étapes suivantes consistent à fixer votre appareil au mur. Les étapes de la fixation murale sont décrites aux pages 27 à 35.

Avertissement - Une installation professionnelle est nécessaire - Ce produit peut se détacher du mur et provoquer des blessures graves, voire mortelles, s'il n'est pas correctement fixé. **Une installation professionnelle est nécessaire.**

Les étapes suivantes doivent être réalisées par un professionnel.

La deuxième personne peut aider à maintenir l'armoire en position pendant que le professionnel effectue les étapes d'alignement, de mise à niveau et d'installation.

- L'appareil **DOIT** être d'équerre (hauteur, largeur et profondeur) pour fonctionner correctement.
- L'appareil **DOIT** être placé contre le mur.
- L'unité **DOIT** être vissée dans trois montants muraux différents en haut et en bas pour des raisons de sécurité.
- Le professionnel doit choisir le matériel approprié pour installer l'appareil sur la structure du mur. Le matériel fourni comprend des options pour les montants en bois, les montants métalliques et le béton.
- **N'UTILISEZ PAS** de chevilles pour installer votre appareil au mur.

Ce produit n'est pas destiné à être déplacé, modifié, désinstallé ou démonté une fois qu'il a été installé par un professionnel. Choisissez soigneusement votre lieu d'installation avec l'aide du professionnel.

Français

Page 27 : Étape 17

Placez soigneusement l'appareil à plat contre le mur.

Des encoches sont prévues à l'arrière de votre appareil. Ces encoches s'adaptent à la plinthe de votre mur. Si votre plinthe est plus haute ou plus épaisse que les encoches prévues sur l'appareil, vous devrez retirer la plinthe, la couper pour qu'elle s'adapte aux deux côtés de l'appareil, puis la fixer à nouveau au mur.

Page 28 : Étape 18

À l'aide d'un niveau, assurez-vous que l'appareil est d'équerre (hauteur, largeur et profondeur) pour fonctionner correctement.

Veillez noter les étapes suivantes : la cantonnière (E) a été retirée pour mieux montrer les trous dans le panneau arrière supérieur (G).

Une échelle est nécessaire. Ne vous appuyez pas sur la partie supérieure de l'appareil, vous risqueriez de l'affaïsser.

Si nécessaire, dévissez les patins dans le sens inverse des aiguilles d'une montre dans les quatre coins jusqu'à ce que l'appareil soit de niveau dans toutes les directions.

Page 29 : Quel type de mur avez-vous?

Pour les étapes 19 et 20, vous devrez choisir entre deux types de vis en fonction du type de mur sur lequel vous installez ce produit.

Goujons en bois et en métal - Suivez les étapes 19 et 20 des pages « Goujons en bois et en métal » pour savoir comment procéder. Pages 30 et 31.

Béton - Suivez les étapes 19 et 20 - La page « Béton » vous indique la marche à suivre. Pages 33 et 34.

Page 30 : Étape 19 - Montants en bois et en métal

Placez au moins trois montants DIFFÉRENTS, dans le sens horizontal, mais quatre sont préférables.

Repérez les montants dans le mur à l'aide d'un détecteur de montants. À l'aide d'un crayon, marquez l'emplacement des montants sur la surface supérieure du panneau arrière supérieur (G) à l'endroit où les trous prépercés sont prévus. À l'aide d'un niveau, reportez l'emplacement des montants jusqu'à la lisse inférieure (L) et, à l'aide d'un crayon, marquez l'emplacement des montants à l'endroit où les trous prépercés sont prévus.

Distance moyenne entre les montants (16 po)

Montants muraux

Ne vous appuyez pas sur la partie supérieure de l'appareil, vous risqueriez de l'affaïsser.

Français

Page 31 : Étape 20 - Montants en bois et en métal

Tout d'abord, assurez-vous que votre appareil est toujours de niveau dans toutes les directions.

Comme le montre la vue de droite, fixez l'appareil aux montants du mur à l'aide de la vis (3) et de la rondelle (8). La vue montre le panneau arrière supérieur (G), mais faites de même pour le longeron inférieur (L). Vous devez visser au moins trois vis dans trois montants muraux différents, dans le sens horizontal, mais quatre sont préférables pour les parties G et L.

Une échelle est nécessaire. Ne vous appuyez pas sur la partie supérieure de l'appareil, vous risqueriez de l'affaisser.

Page 32 : Étape 20 suite...

Exemple de quatre vis placées horizontalement dans les montants muraux sur les parties G et L. Veuillez noter qu'il ne s'agit que d'un exemple - toutes les distances entre les montants muraux sont différentes.

Page 33 : Étape 19 - Béton

Choisissez quatre trous horizontaux pré-perçés de manière égale sur le panneau arrière supérieur (G). Portez et utilisez les mêmes trous pré-perçés jusqu'au longeron inférieur (L).

A l'aide d'un crayon, marquez les emplacements sur la surface supérieure du panneau arrière supérieur (G) où se trouvent les trous pré-perçés. A l'aide d'un niveau, reportez les emplacements jusqu'au longeron inférieur (L), et à l'aide d'un crayon, marquez les emplacements où se trouvent les trous pré-perçés.

Une échelle est nécessaire. Ne vous appuyez pas sur la partie supérieure de l'appareil, vous risqueriez de l'affaisser.

Page 34 : Étape 20 - Béton

Tout d'abord, assurez-vous que votre appareil est toujours de niveau dans toutes les directions.

Comme le montre la vue de droite, fixez l'unité au mur en béton avec la vis (14) et la rondelle (8). La vue montre le panneau arrière supérieur (G), mais faites de même pour le longeron inférieur (L). Vous devez visser au moins trois vis à trois endroits différents, dans le sens horizontal, mais quatre vis sont préférables sur les parties G et L.

Une échelle est nécessaire. Ne vous appuyez pas sur la partie supérieure de l'appareil, vous risqueriez de l'affaisser.

Page 35 : Étape 20 suite...

Exemple de quatre vis placées horizontalement dans les montants muraux sur les pièces G et L. Veuillez noter qu'il ne s'agit que d'un exemple - toutes les distances entre les montants des murs sont différentes.

Page 36 : Partie 2 - Assemblage

Les étapes suivantes consistent à assembler le mécanisme du cadre de lit en métal et les panneaux de porte. Les étapes de l'assemblage sont décrites aux pages 37 à 50.

Comme indiqué à la page 2 : choisissez l'une des deux options ci-dessous...

- Vous pouvez continuer à utiliser le professionnel et une deuxième personne, ou
- Faites appel à deux personnes qui ont de l'expérience dans le montage de meubles prêts à être assemblés.

Deux personnes sont nécessaires pour :

- soulever et fixer les pièces du lit à l'aide de la quincaillerie

Ces pièces se trouvent dans le carton #9632096COM Mécanisme de lit mural.

Page 37 : Étape 30

Tout d'abord, enfoncez chaque pied en caoutchouc (19u) dans chaque trou de la jambe (19c), comme indiqué ci-dessous.

Ensuite, joignez et assemblez les cadres de lit gauche et droit (19a et 19b) comme indiqué ci-dessous en utilisant les boulons (19o) avec la clé hexagonale fournie (19s).

Vous pouvez utiliser un maillet en caoutchouc pour joindre les deux cadres.

Page 38 : Étape 31

Placez les quatre supports en U (19i) aux emplacements prévus.

Utilisez les boulons (19o) et les rondelles (19q) pour assembler les supports en U (19i) aux assemblages du cadre de lit (19a et 19b) comme indiqué.

Utilisez la clé hexagonale fournie (19s) pour l'assemblage.

Les quatre emplacements du support en U (19i) se trouvent là où se trouvent les trous dans les assemblages latéraux du cadre (19a et 19b).

Page 39 : Étape 32

Assemblez les supports de matelas (19d) aux cadres (19a et 19b) à l'aide des boulons (19p), comme illustré à droite. Utilisez la clé hexagonale fournie (19s) pour l'assemblage.

Page 40 : Étape 33

Assemblez deux pistons (19h) de chaque côté du cadre de lit à l'aide d'axes de chape (19l) et fixez chacun d'eux à l'aide d'une goupille fendue (19n).

L'extrémité « longue » de chaque piston doit être fixée au cadre.

Les extrémités des deux pistons doivent être insérées dans la rainure du cadre du lit lorsqu'il est assemblé.

Extrémité longue

Extrémité courte

Page 41 : Étape 34

L'armoire n'est pas représentée afin de permettre une vue claire de l'assemblage du cadre de lit.

Avec une personne de chaque côté, soulevez le cadre du lit assemblé, alignez les trous du cadre avec le grand trou de la bague du bras pivotant gauche et droit (19e et 19f) déjà installé dans l'armoire de votre unité, et insérez les goupilles pivotantes (19k) comme indiqué. Fixez les axes de pivotement à l'aide d'un boulon de 10 mm (19p). Utilisez la clé hexagonale fournie (19s) pour l'assemblage.

Les pistons ont été retirés de l'image pour une meilleure visualisation de l'étape.

Déjà fixé à l'appareil

Ne fixez pas les pistons aux bras pivotants gauche et droit à ce stade, vous le ferez à l'étape 36.

Page 42 : Étape 35

Étape critique... Veuillez lire attentivement les instructions!

Avec une personne de chaque côté, soulevez avec précaution le cadre du lit en position fermée.

Alors qu'une personne pousse le cadre de lit dans l'armoire, au-delà des 90 degrés, l'autre personne doit engager le piston à gaz « avant » (19h) de chaque côté de l'unité, à la goupille avant du bras de pivot gauche et droit (19e et 19f).

Fixez ensuite fermement les deux écrous (19r) à l'aide de la clé (19t) fournie.

Français

Pour engager le piston à gaz « arrière » (19h) de chaque côté de l'unité, remuez lentement et prudemment le cadre du lit d'avant en arrière jusqu'à ce que vous puissiez insérer les pistons à gaz (19h) dans l'axe arrière du bras pivotant gauche et droit (19e et 19f).

Fixez ensuite fermement les deux écrous (19r) à l'aide de la clé (19t) fournie.

Poussez ici dans l'armoire

Cette étape se poursuit à la page suivante...

Page 43 : Étape 35 suite...

Cette image montre le cadre de lit poussé dans l'armoire, au-delà de 90 degrés.

Cadre de lit

90 DEGRÉS (LORSQUE LE CADRE DU LIT EST DANS LA POSITION LA PLUS VERTICALE)

Veillez noter qu'il est normal de voir le sommier dans cet état avant l'installation des pistons à gaz.

Page 44 : Étape 36

Assurez-vous que le cadre de lit est entièrement assemblé au meuble. (Cette étape peut être réalisée par deux personnes.) Une fois que vous êtes sûr, tirez avec précaution le cadre de lit vers le bas, puis assemblez la jambe (19c) comme indiqué avec les axes de chape (19m) et les goupilles fendues (19n).

L'armoire n'est pas représentée afin de permettre une vue claire de l'assemblage du cadre de lit.

Appliquez l'étiquette d'avertissement ici

Le cadre du lit est équipé d'un mécanisme de verrouillage pour bloquer le pied (19c) en place. Pour verrouiller ou déverrouiller le pied, tirez sur le mécanisme de verrouillage.

Page 45 : Étape 37

La moulure de la poignée (M) doit être centrée sur le panneau gauche de la porte (J).

Orientation correcte du support

Bord non fini

Page 46 : Étape 38

La moulure de la poignée (M) doit être centrée sur le panneau de porte droit (K).

Orientation correcte du support

Bord non fini

Page 47 : Étape 39

IMPORTANT :

Tout d'abord, déverrouillez et faites basculer le pied dans l'armoire.

Ensuite, abaissez un peu le cadre du lit pour dégager l'espace nécessaire à l'accrochage des panneaux de porte (J et K).

Cette étape peut se faire à deux. Soulevez avec précaution le panneau de porte gauche (J), placez les supports (13) sur les trois rails de support du cadre de lit et laissez-le tomber en position. Répétez la procédure pour le panneau de porte droit (K).

L'armoire n'est pas représentée afin de permettre une vue claire de l'assemblage du cadre de lit. Les trous dans les panneaux de porte (J&K) seront plus proches les uns des autres au centre.

Page 48 : Étape 40

Tirez délicatement le cadre du lit pour l'ouvrir. (Cette opération peut nécessiter l'intervention de deux personnes.) Alignez les trous du cadre de lit avec les trous des panneaux (J et K) et fixez-les avec les vis (11).

L'armoire n'est pas représentée afin de permettre une vue claire de l'assemblage du cadre de lit.

Page 49 : Étape 41

Fixez le rail d'arrêt (I) à la face inférieure de la partie supérieure (C) à l'aide des vis (11).

Pressez un capuchon en plastique (19j) à chaque extrémité d'une latte en bois (19g).

Enfoncez les deux capuchons en plastique (19j), fixés à la latte de bois, dans les trous du cadre de lit métallique. Répétez la procédure pour les 30 lattes de bois et les 60 capuchons en plastique.

Ne vous appuyez pas sur la partie supérieure de l'appareil, vous risqueriez de l'affaisser.

Glissez les lattes de bois sous les sangles à chaque coin.

Bord fini

Page 50 : Étape 42

L'avant de l'appareil n'est pas montré afin de permettre une vue claire du coup de pied et du fond.

Pendant qu'une personne ouvre légèrement le cadre de lit et le maintient en place, insérez les boulons de connexion installés dans le Kick (F) dans les connecteurs du Bottom (D). Tournez les connecteurs dans le sens des aiguilles d'une montre pour les verrouiller en place.

Tournez dans le sens des aiguilles d'une montre pour verrouiller en place

Ouvrez légèrement le cadre

Français

Page 51 : Charges maximales

Cet appareil a été conçu pour supporter les charges maximales indiquées. Le dépassement de ces limites de charge peut entraîner un affaissement, une instabilité, un effondrement du produit et/ou des blessures graves.

Ce lit est conçu pour accueillir un matelas Queen Size, d'une épaisseur maximale de 10 pouces.

* avec un poids maximum de 70 livres (31,8 kg)

* avec un poids minimum de 35 livres (15,9 kg)

Après avoir terminé l'installation et le montage de votre lit mural, veuillez conserver le manuel d'instructions en le plaçant sous le matelas, dans le cadre de la partie mobile du lit.

Veuillez noter :

Deux personnes peuvent être nécessaires pour ouvrir et fermer le lit.

Une fois que vous avez placé votre drap-housse sur votre matelas, fixez votre matelas à l'aide des sangles fournies aux quatre coins du cadre de lit.

Gardez le lit fermé lorsqu'il n'est pas utilisé.

Il est recommandé de ne pas laisser d'oreillers ou de coussins décoratifs en place lorsque le lit est fermé afin de préserver le mécanisme.

600 livres (272 kg) Plus le poids du matelas

Page 52 : Inscription

Enregistrez votre produit pour recevoir les informations suivantes:

- * Détails des nouvelles tendances - aperçu des nouveautés
- * Sondages : faites entendre votre voix au sein de notre communauté
- * Offres exclusives et codes de réduction
- * Service de remplacement des pièces rapide et facile

Pour enregistrer votre produit, rendez-vous sur le site ameriwoodhome.com.

Classement 5 étoiles

Rendez-vous sur le site Web de votre détaillant local, évaluez le produit que vous avez acheté et laissez-nous un commentaire!

Merci!