

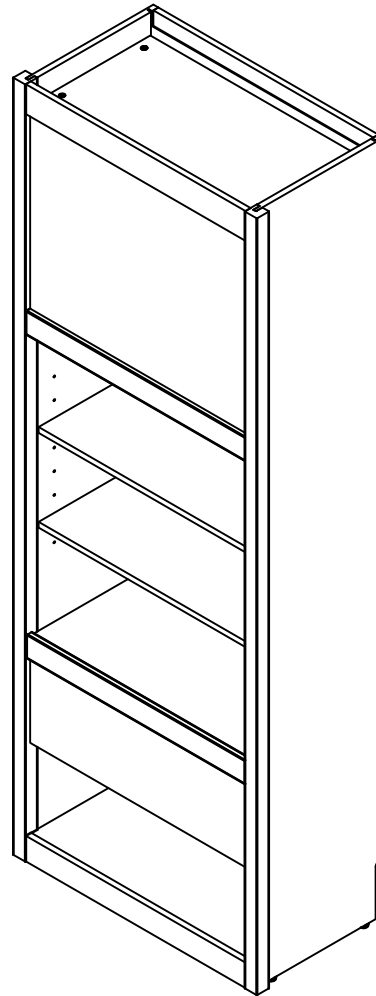
- 8169222COM (Columbia Walnut)
- 8169335COM (Nightfall Oak)
- 8169340COM (Andover Oak)
- 8169341COM (Magnolia Oak)
- 8169344COM (Silverton Oak)
- 8169356COM (Monterey Oak)



Side Cabinet

B348169000COM2

Date of Purchase ___ / ___ / ___
 Lot Number:



THIS INSTRUCTION BOOKLET CONTAINS **IMPORTANT** SAFETY INFORMATION. PLEASE READ AND KEEP FOR FUTURE REFERENCE.

Do Not Return This Product!

Contact our customer service team for help first.

Call: 1-800-489-3351 (toll free)

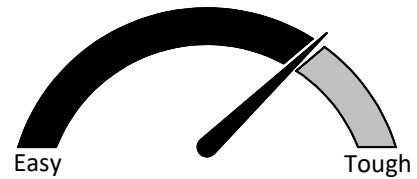
Monday-Friday 9am - 5pm CST

Visit: www.ameriwoodhome.com



WARNING

- Unit can tip over causing severe injury or death.
- Anchor unit to stud in wall
- Do Not allow children to climb on unit



Assembly Difficulty Meter

Follow Ameriwood Home

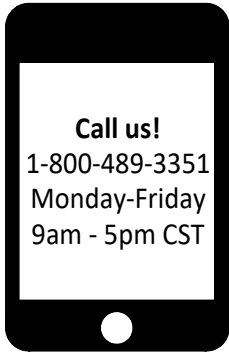




Contact Us!

Do NOT return this product!

Contact our friendly customer service team first for help.



Visit ameriwoodhome.com to view the limited warranty valid in the U.S. and Canada.

Assembly Tips

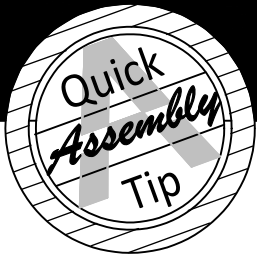


Helpful Hints

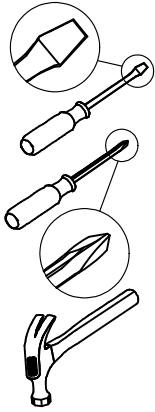
PEOPLE NEEDED FOR ASSEMBLY: 1-2

- Open your item in the area you plan to keep it to avoid excessive heavy lifting.
- Identify, sort and count the parts before attempting assembly.
- Compression dowels are lightly tapped in with a hammer.
- Slides are labeled with a **R** (right) and **L** (left) for proper placement.
- Make sure to always face the point on the top of the Cam Lock towards the outer edge.
- Use all the nails provided for the back panel and spread them out equally.
- Back panel must be used to make sure your unit is sturdy.
- Do NOT use harsh chemicals or abrasive cleaners on this item.
- Never push, pull, or drag your furniture.





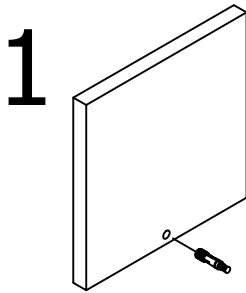
Before You Start



- ✓ Read through each step carefully and follow the proper order
- ✓ Separate and count all your parts and hardware
Parts are labeled on the surface or edge of the part
- ✓ Give yourself enough room for the assembly process
- ✓ Have the following tools: Flat Head Screwdriver, #2 Phillips Head Screwdriver and Hammer
- ✓ Caution: If using a power drill or power screwdriver for screwing, please be aware to slow down and stop when screw is tight. Failure to do so may result in stripping the screw.

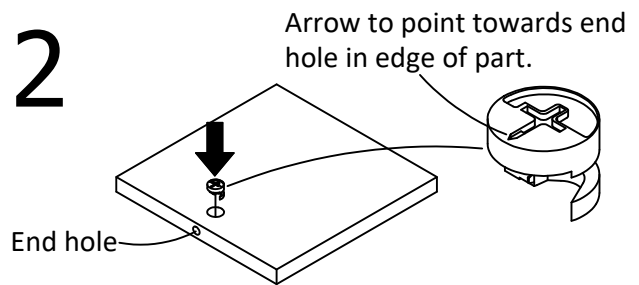
Cam Lock Fastening System

This Cam Lock Fastening System will be used throughout the assembly process.



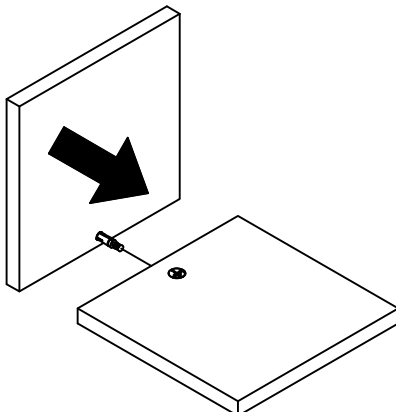
Press CAM BOLT into hole.

2



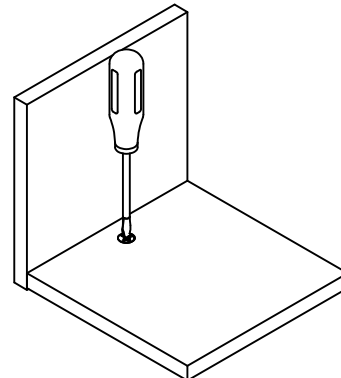
Press CAM LOCK into hole.

3



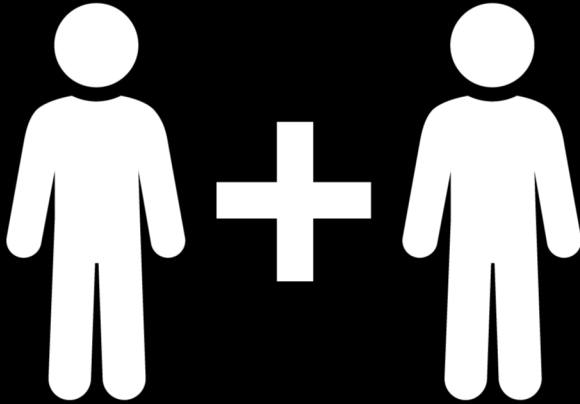
Press parts together so CAM BOLT inserts into edge hole.

4



Using a screwdriver, turn the CAM LOCK clockwise to lock the CAM LOCK and CAM BOLT into their holes and fastening parts together.

Before You Start



2 PEOPLE NEEDED FOR ASSEMBLY

**2 PERSONAS NECESITADAS
PARA LA ASAMBLEA**

**2 PERSONNES NÉCESSAIRES
POUR L'ASSEMBLAGE**

CAUTION: Failure to use 2 people for assembly could result in unit damage or personal injury.

PRECAUCIÓN: Si no se utilizan 2 personas para el ensamblaje, se pueden producir daños en la unidad o lesiones personales.

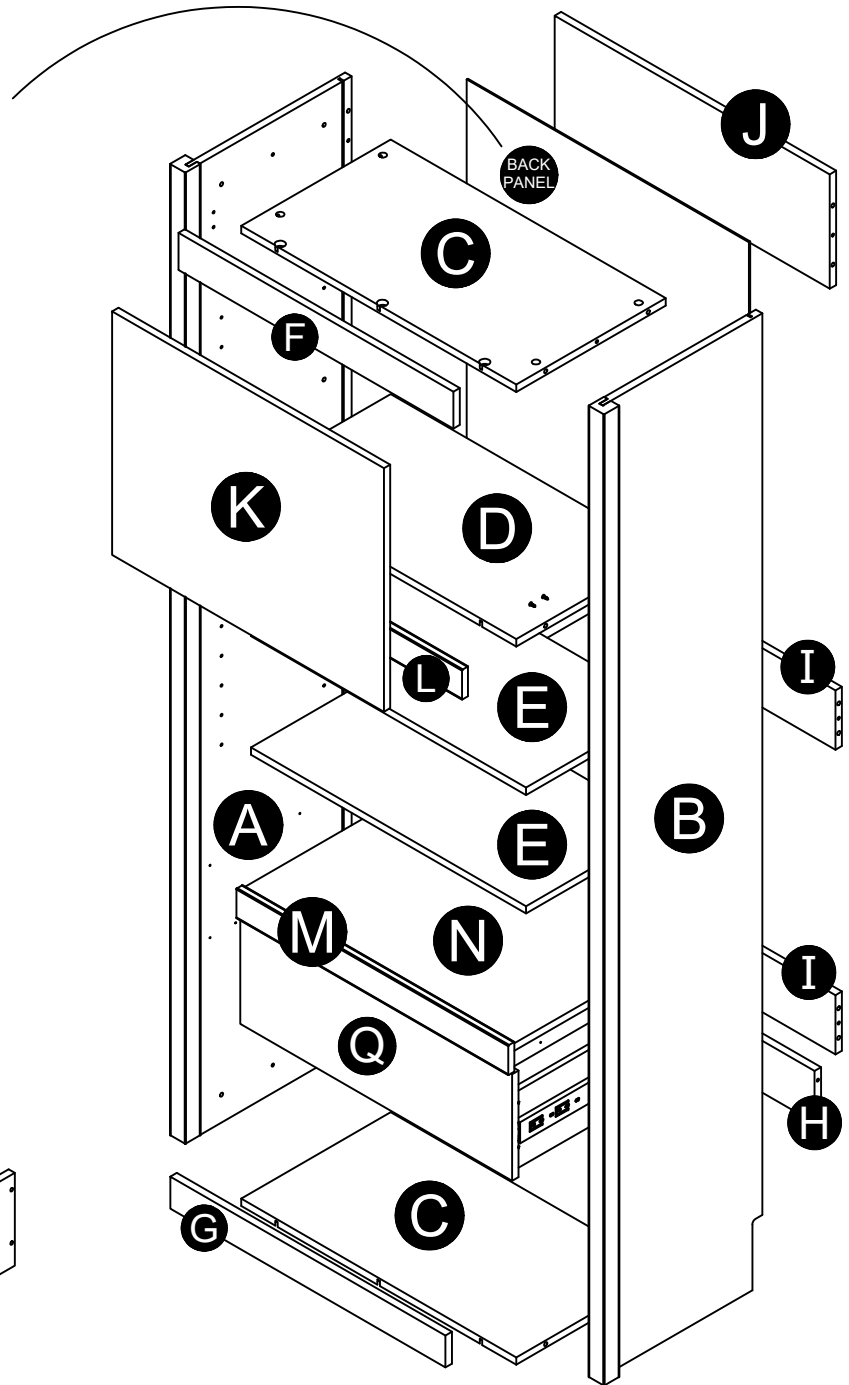
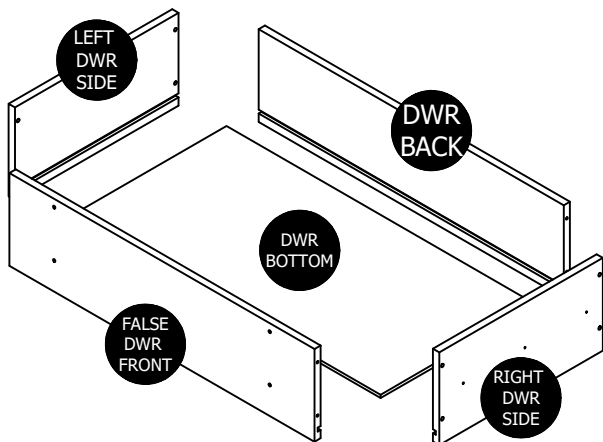
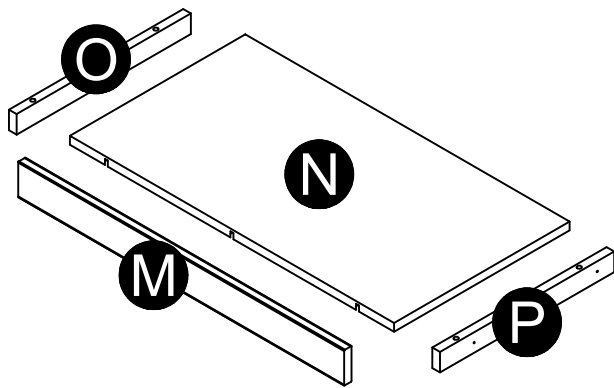
ATTENTION: Échec d'utiliser 2 personnes pour l'assemblage peut causer du dommage au meuble ou causer des blessures.

**VERY IMPORTANT INFORMATION
INFORMACION MUY IMPORTANTE
INFORMATION TRÈS IMPORTANTES**

Board Identification

Not actual size

This piece is paperboard construction. It is not made from wood but is required for the assembly of your unit.



Board Identification

parts for 8169222COM (Columbia Walnut)

Parts List			
ITEM	QTY	PART NUMBER	DESCRIPTION
A	1	38169222010	LEFT PANEL ASM
B	1	38169222020	RIGHT PANEL ASM
C	2	38169222030	SHELF
D	1	38169222040	FIXED SHELF
E	2	38169222050	ADJUSTABLE SHELF
F	1	38169222060	VALANCE
G	1	38169222070	KICK
H	1	38169222080	BACK RAIL
I	2	38169000090	STRINGER
J	1	38169000100	UPPER BACK PANEL
K	1	38169222110	DOOR
L	1	38169222120	HORIZONTAL MOLDING
M	1	38169222130	PULL OUT FRONT
N	1	38169222140	PULL OUT SHELF
O	1	38169222150	PULL OUT LEFT RAIL
P	1	38169222160	PULL OUT RIGHT RAIL
Q	1	38169222170	DRAWER FRONT
-	1	K816922200	BACK PANEL
-	1	39991167340400L	LEFT DRAWER SIDE
-	1	39991167340400R	RIGHT DRAWER SIDE
-	1	39991167063450F	FALSE DRAWER FRONT
-	1	39991167063450B	DRAWER BACK
-	1	39991324064420D	DRAWER BOTTOM

Board Identification

parts for 8169335COM (Nightfall Oak)

Parts List			
ITEM	QTY	PART NUMBER	DESCRIPTION
A	1	38169335010	LEFT PANEL ASM
B	1	38169335020	RIGHT PANEL ASM
C	2	38169335030	SHELF
D	1	38169335040	FIXED SHELF
E	2	38169335050	ADJUSTABLE SHELF
F	1	38169335060	VALANCE
G	1	38169335070	KICK
H	1	38169335080	BACK RAIL
I	2	38169000090	STRINGER
J	1	38169000100	UPPER BACK PANEL
K	1	38169335110	DOOR
L	1	38169335120	HORIZONTAL MOLDING
M	1	38169335130	PULL OUT FRONT
N	1	38169335140	PULL OUT SHELF
O	1	38169335150	PULL OUT LEFT RAIL
P	1	38169335160	PULL OUT RIGHT RAIL
Q	1	38169335170	DRAWER FRONT
-	1	K816933500	BACK PANEL
-	1	39991167340400L	LEFT DRAWER SIDE
-	1	39991167340400R	RIGHT DRAWER SIDE
-	1	39991167063450F	FALSE DRAWER FRONT
-	1	39991167063450B	DRAWER BACK
-	1	39991324064420D	DRAWER BOTTOM

Board Identification

parts for 8169340COM (Andover Oak)

Parts List			
ITEM	QTY	PART NUMBER	DESCRIPTION
A	1	38169340010	LEFT PANEL ASM
B	1	38169340020	RIGHT PANEL ASM
C	2	38169340030	SHELF
D	1	38169340040	FIXED SHELF
E	2	38169340050	ADJUSTABLE SHELF
F	1	38169340060	VALANCE
G	1	38169340070	KICK
H	1	38169340080	BACK RAIL
I	2	38169000090	STRINGER
J	1	38169000100	UPPER BACK PANEL
K	1	38169340110	DOOR
L	1	38169340120	HORIZONTAL MOLDING
M	1	38169340130	PULL OUT FRONT
N	1	38169340140	PULL OUT SHELF
O	1	38169340150	PULL OUT LEFT RAIL
P	1	38169340160	PULL OUT RIGHT RAIL
Q	1	38169340170	DRAWER FRONT
-	1	K816934000	BACK PANEL
-	1	39991167340400L	LEFT DRAWER SIDE
-	1	39991167340400R	RIGHT DRAWER SIDE
-	1	39991167063450F	FALSE DRAWER FRONT
-	1	39991167063450B	DRAWER BACK
-	1	39991324064420D	DRAWER BOTTOM

Board Identification

parts for 8169341COM (Magnolia Oak)

Parts List			
ITEM	QTY	PART NUMBER	DESCRIPTION
A	1	38169341010	LEFT PANEL ASM
B	1	38169341020	RIGHT PANEL ASM
C	2	38169341030	SHELF
D	1	38169341040	FIXED SHELF
E	2	38169341050	ADJUSTABLE SHELF
F	1	38169341060	VALANCE
G	1	38169341070	KICK
H	1	38169341080	BACK RAIL
I	2	38169000090	STRINGER
J	1	38169000100	UPPER BACK PANEL
K	1	38169341110	DOOR
L	1	38169341120	HORIZONTAL MOLDING
M	1	38169341130	PULL OUT FRONT
N	1	38169341140	PULL OUT SHELF
O	1	38169341150	PULL OUT LEFT RAIL
P	1	38169341160	PULL OUT RIGHT RAIL
Q	1	38169341170	DRAWER FRONT
-	1	K816934100	BACK PANEL
-	1	39991167340400L	LEFT DRAWER SIDE
-	1	39991167340400R	RIGHT DRAWER SIDE
-	1	39991167063450F	FALSE DRAWER FRONT
-	1	39991167063450B	DRAWER BACK
-	1	39991324064420D	DRAWER BOTTOM

Board Identification

parts for 8169344COM (Silverton Oak)

Parts List			
ITEM	QTY	PART NUMBER	DESCRIPTION
A	1	38169344010	LEFT PANEL ASM
B	1	38169344020	RIGHT PANEL ASM
C	2	38169344030	SHELF
D	1	38169344040	FIXED SHELF
E	2	38169344050	ADJUSTABLE SHELF
F	1	38169344060	VALANCE
G	1	38169344070	KICK
H	1	38169344080	BACK RAIL
I	2	38169000090	STRINGER
J	1	38169000100	UPPER BACK PANEL
K	1	38169344110	DOOR
L	1	38169344120	HORIZONTAL MOLDING
M	1	38169344130	PULL OUT FRONT
N	1	38169344140	PULL OUT SHELF
O	1	38169344150	PULL OUT LEFT RAIL
P	1	38169344160	PULL OUT RIGHT RAIL
Q	1	38169344170	DRAWER FRONT
-	1	K816934400	BACK PANEL
-	1	39991167340400L	LEFT DRAWER SIDE
-	1	39991167340400R	RIGHT DRAWER SIDE
-	1	39991167063450F	FALSE DRAWER FRONT
-	1	39991167063450B	DRAWER BACK
-	1	39991324064420D	DRAWER BOTTOM

Board Identification

parts for 8169356COM (Monterey Oak)

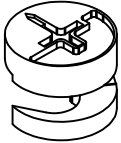
Parts List			
ITEM	QTY	PART NUMBER	DESCRIPTION
A	1	38169356010	LEFT PANEL ASM
B	1	38169356020	RIGHT PANEL ASM
C	2	38169356030	SHELF
D	1	38169356040	FIXED SHELF
E	2	38169356050	ADJUSTABLE SHELF
F	1	38169356060	VALANCE
G	1	38169356070	KICK
H	1	38169356080	BACK RAIL
I	2	38169000090	STRINGER
J	1	38169000100	UPPER BACK PANEL
K	1	38169356110	DOOR
L	1	38169356120	HORIZONTAL MOLDING
M	1	38169356130	PULL OUT FRONT
N	1	38169356140	PULL OUT SHELF
O	1	38169356150	PULL OUT LEFT RAIL
P	1	38169356160	PULL OUT RIGHT RAIL
Q	1	38169356170	DRAWER FRONT
-	1	K816935600	BACK PANEL
-	1	39991167340400L	LEFT DRAWER SIDE
-	1	39991167340400R	RIGHT DRAWER SIDE
-	1	39991167063450F	FALSE DRAWER FRONT
-	1	39991167063450B	DRAWER BACK
-	1	39991324064420D	DRAWER BOTTOM

Note that your unit may contain extra hardware

Part List

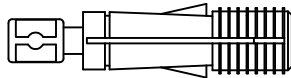
Actual Size

1



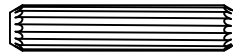
(x24)
#A22700
cam lock

2



(x24)
#A22710
cam bolt

3



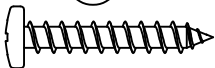
(x16)
#A21660
wood dowel

4



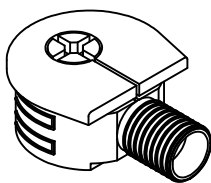
(x8)
#A23025
confirmat screw

5



(x4)
#A12810
#8 x 1" pan

6



(x12)
#A22760
quicklock

7



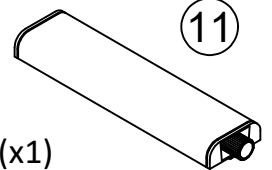
(x4)
#A13950
#8 x 3.5" pan

10



(x4)
#A21960
hidden fastener

11



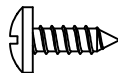
(x1)
#A33060
push latch

8



(x8)
#A80250
shelf support

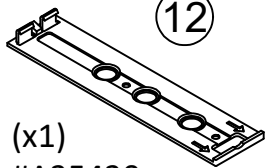
9



(x28)
#A12120
#8 x 7/16" pan

Not Actual Size

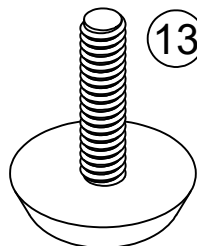
12



(x1)
#A35420
latch plate

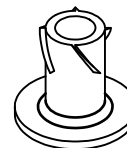
Not Actual Size

13



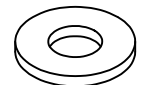
(x4)
#A43020
adjustable glide

14



(x4)
#A20330
1/4-20 nut

15

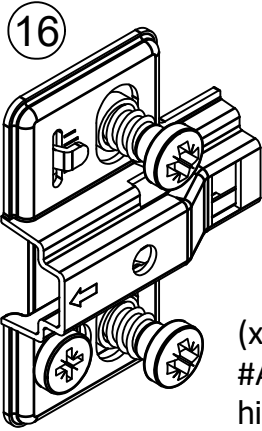


(x4)
#A25400
washer

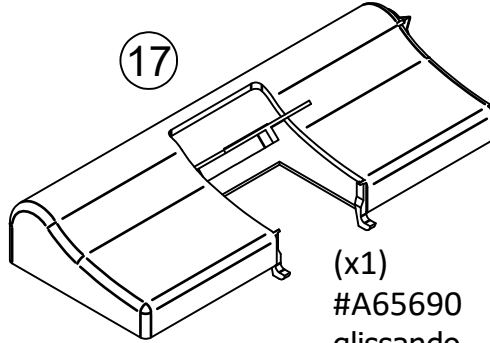
Note that your unit may contain extra hardware

Part List

Actual Size



(x2)
#A65685
hinge plate

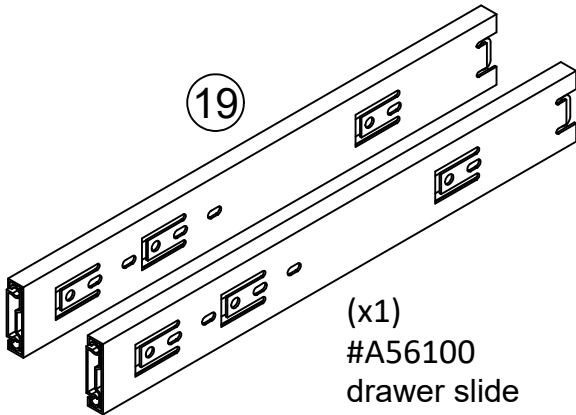


(x1)
#A65690
glissando

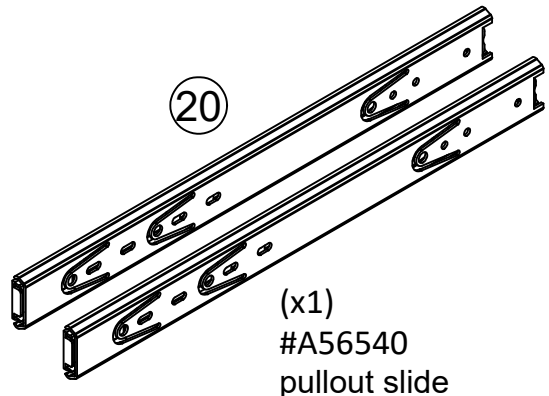


(x6)
#A11070
#6 x 10.5" euro screw

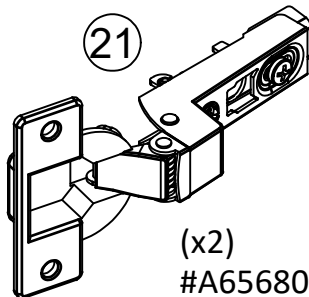
Not Actual Size



(x1)
#A56100
drawer slide



(x1)
#A56540
pullout slide



(x2)
#A65680
euro hinge

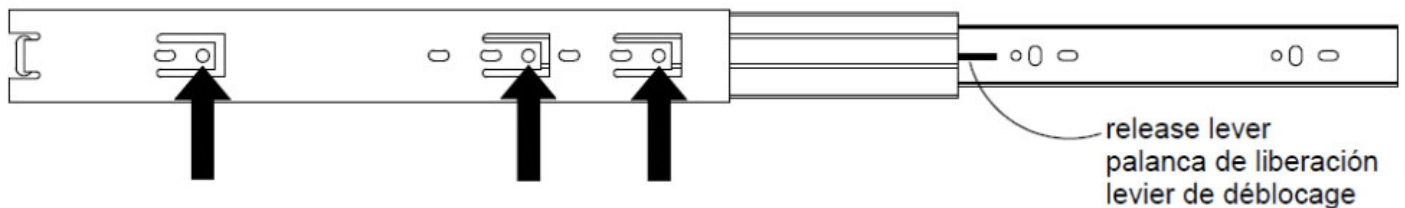
Part List

Disassemble slides (A56100)

To be assembled to drawer

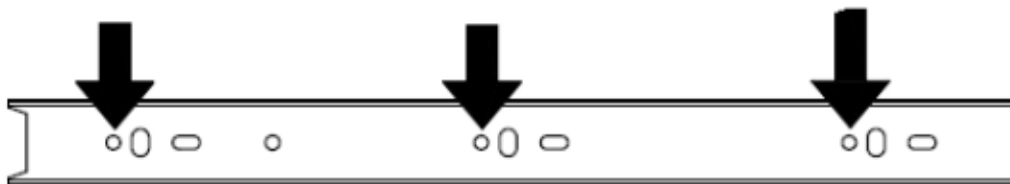
① (x1)
#A56100
drawer slide

Extend the slide as shown. Press the release lever and remove the inner slide. Keep a cloth handy as slide parts will have grease on inner parts.



Use these holes to fasten to the Left & Right Assemblies (A & B)

Use these holes to fasten to the Left & Right Drawer Sides



inner slide
corredera interna
glissière intérieure

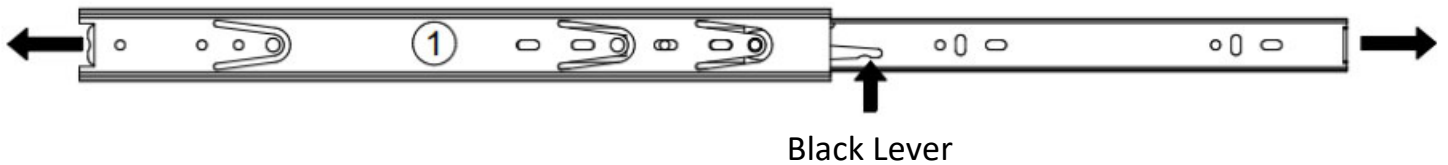
Part List

Disassemble slides (A56540)

To be assembled to pull out shelf

②① (x1)
#A56540
drawer slide

Extend each slide as shown. Press the black lever upward and separate the two parts of the slide.

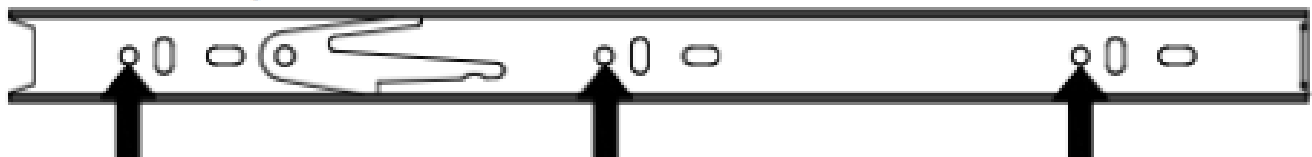


This outer side will attach to the Left & Right Assemblies (A & B)



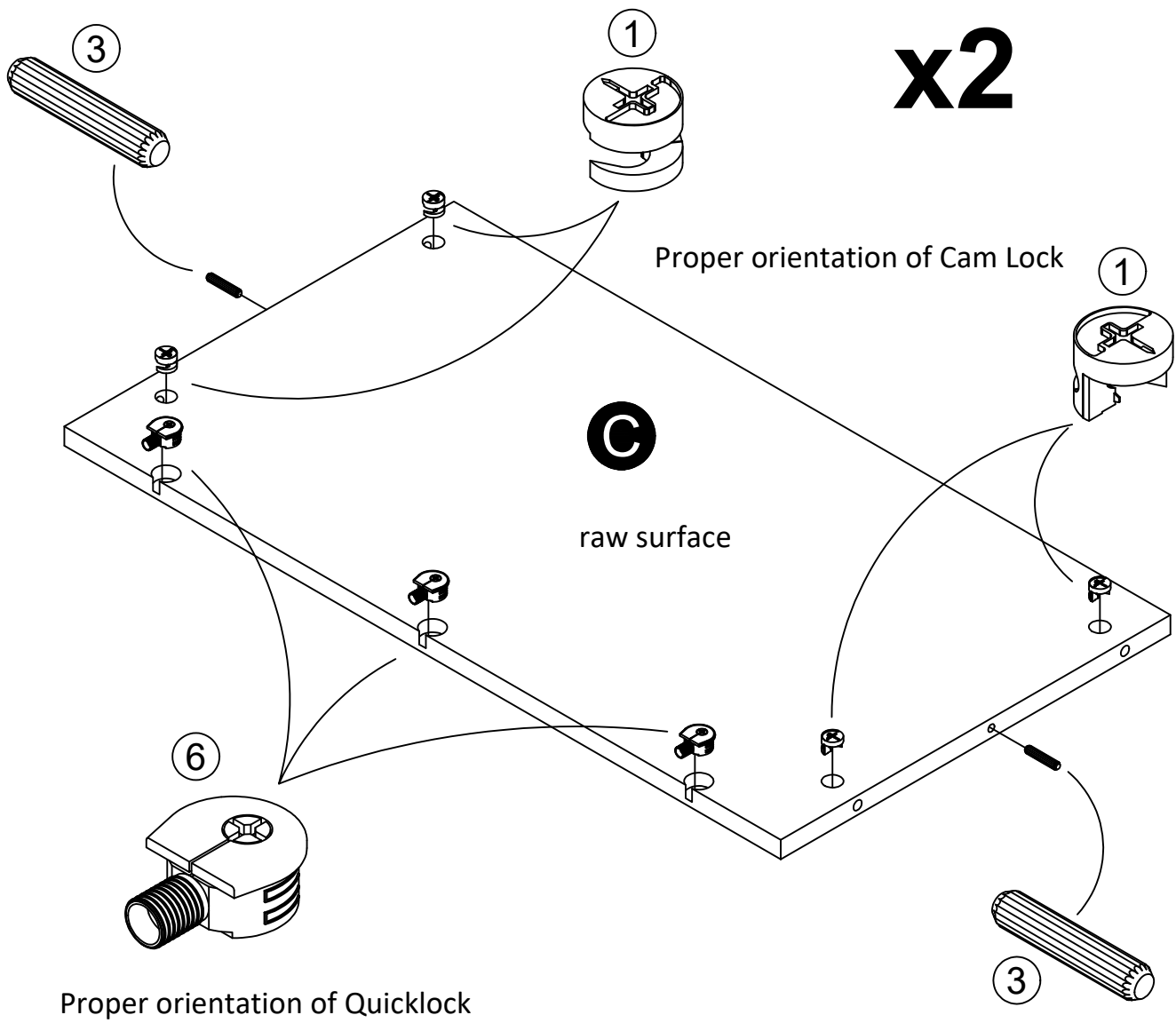
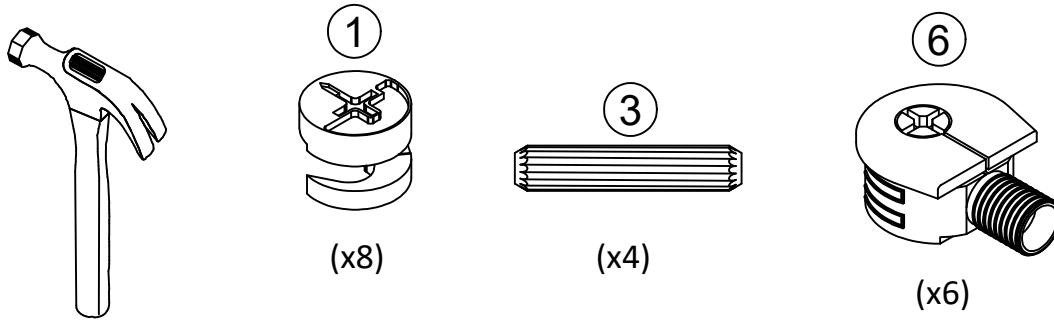
Use these three holes when attaching slide.

This inner slide will be attached to the Left & Right Pull Out Rail.

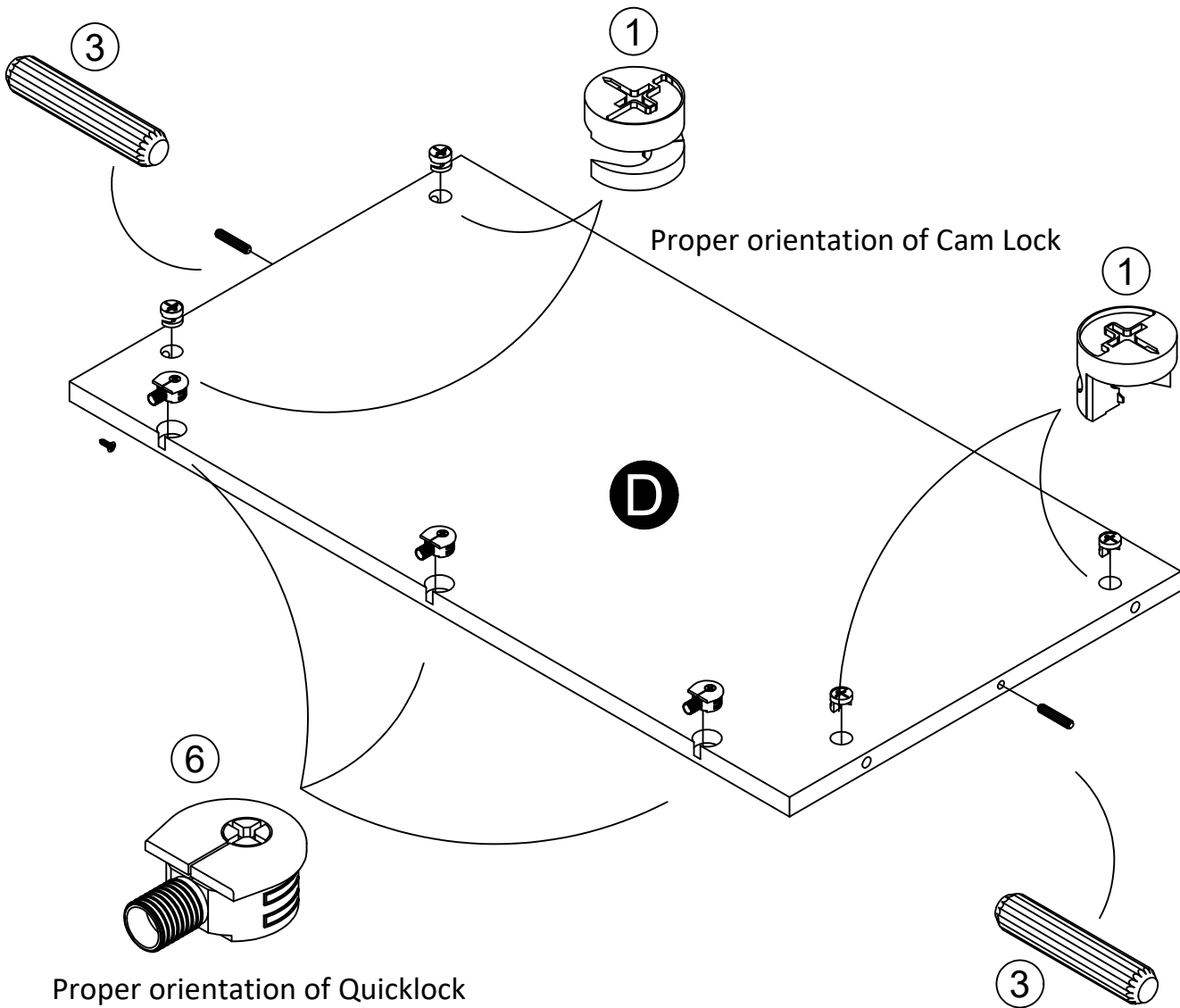
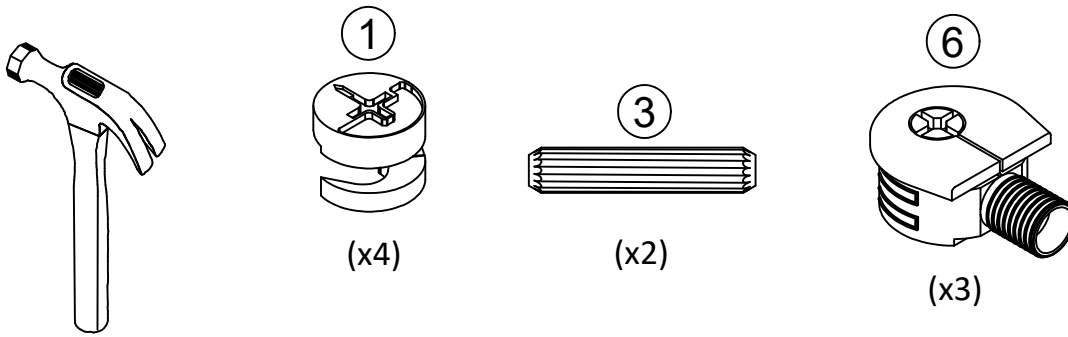


Use these three holes when attaching inner slide.

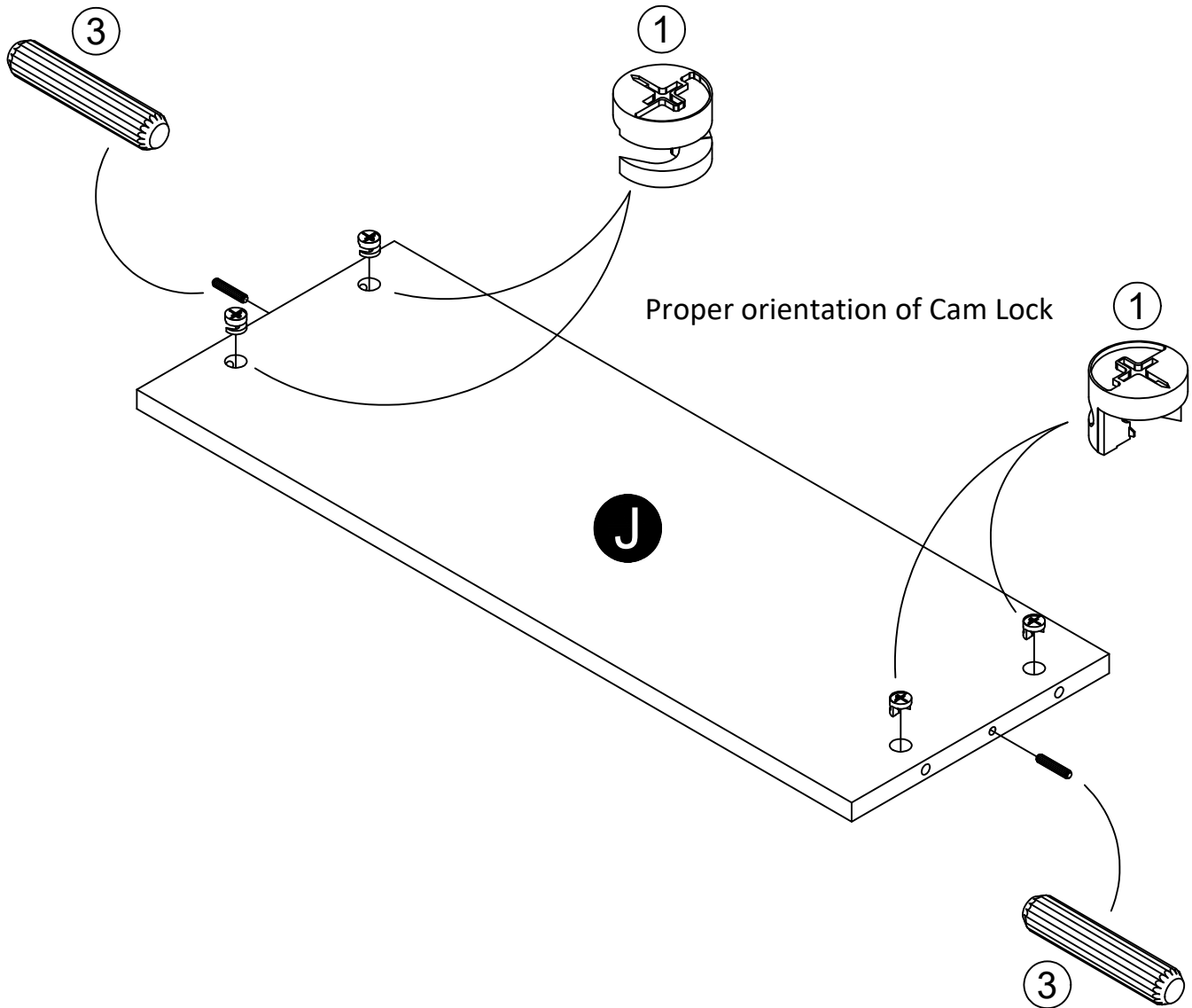
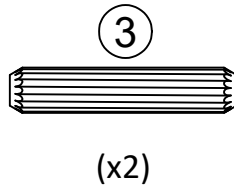
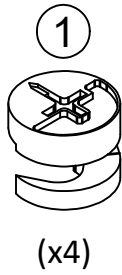
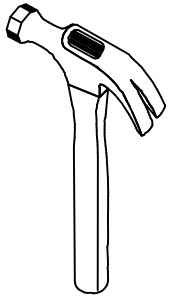
STEP 1



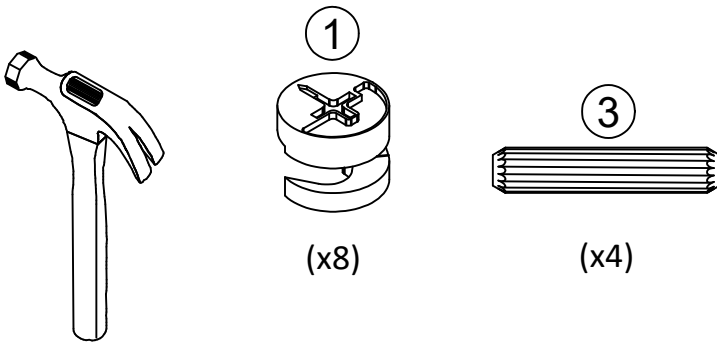
STEP 2



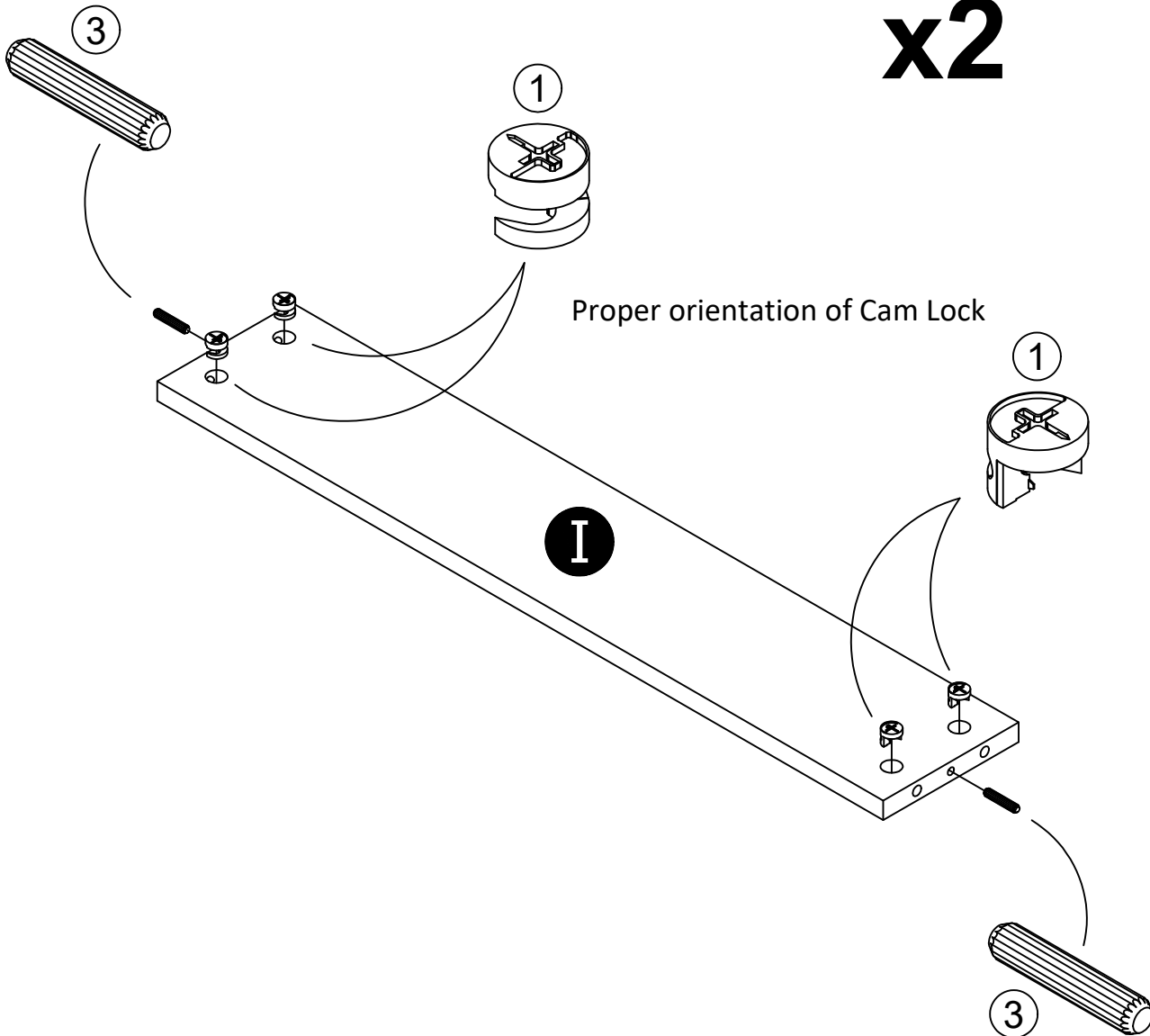
STEP 3



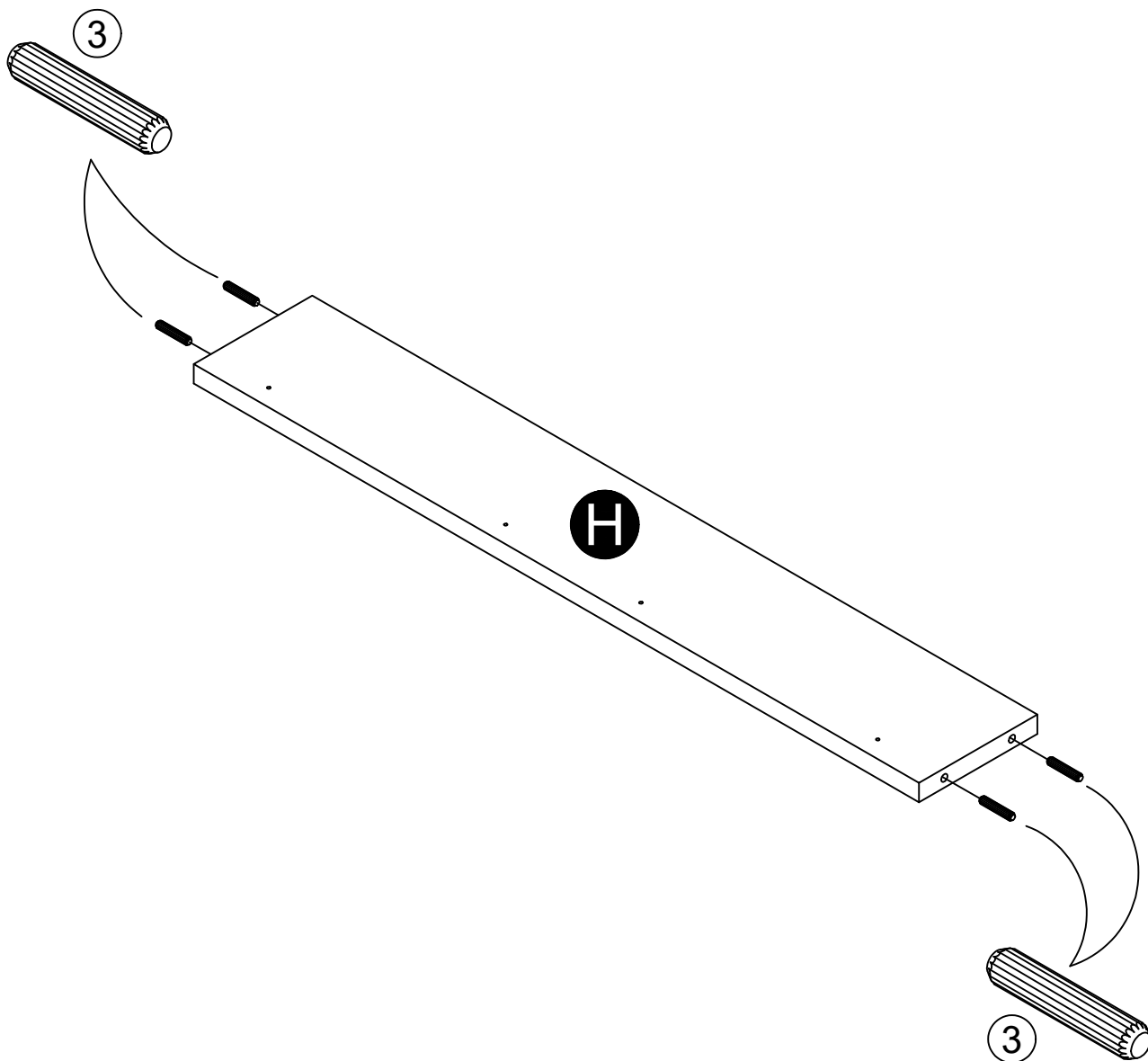
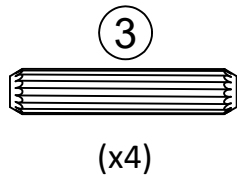
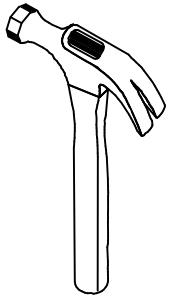
STEP 4



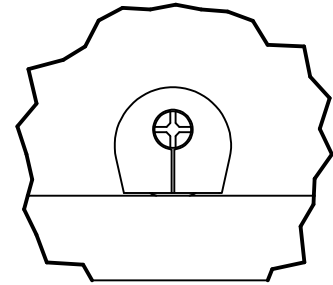
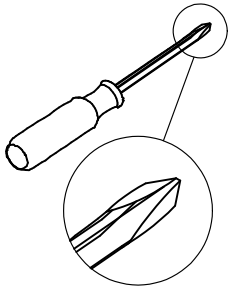
x2



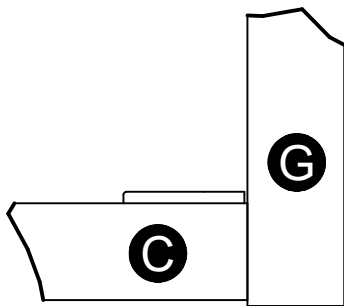
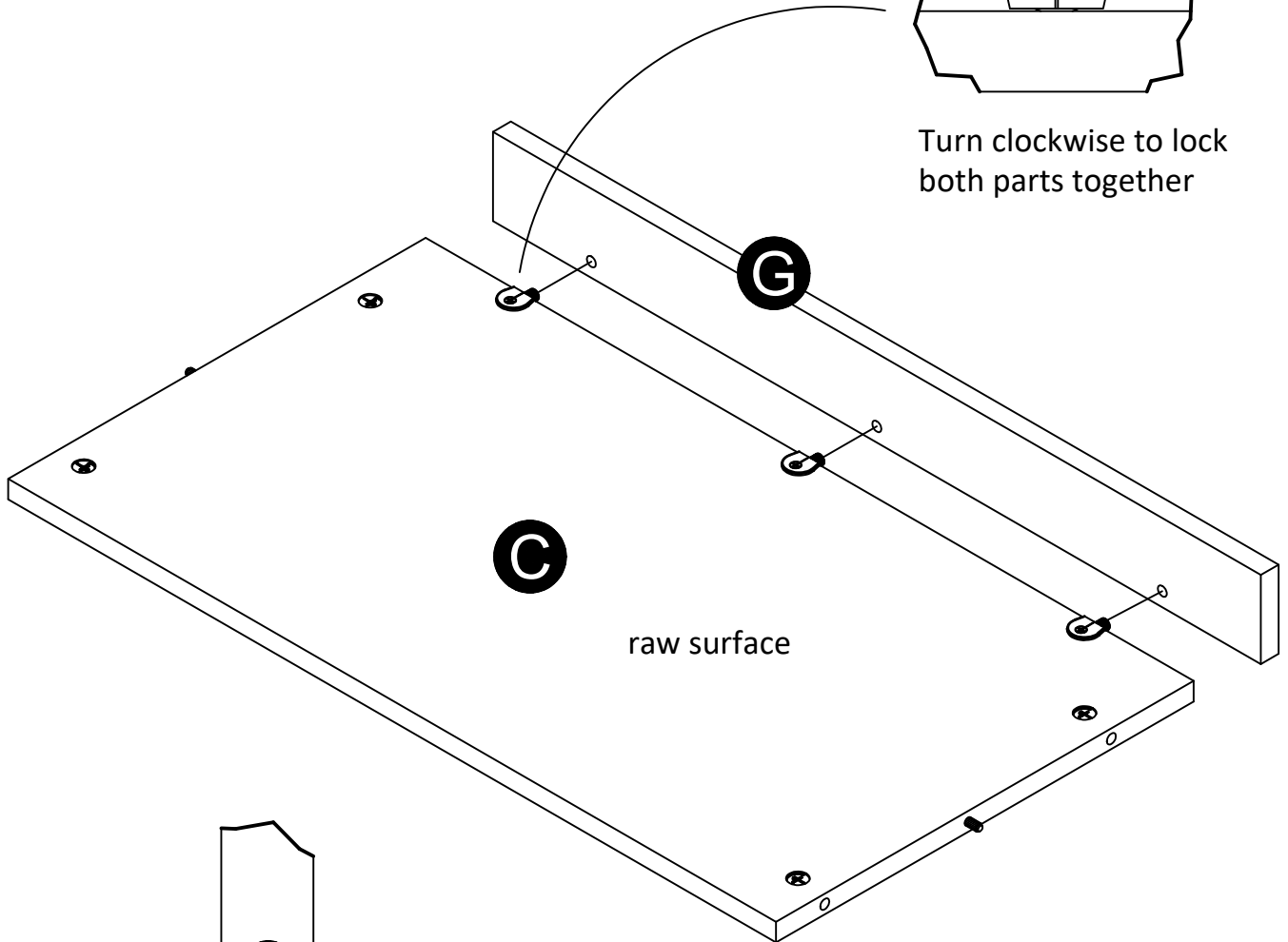
STEP 5



STEP 6

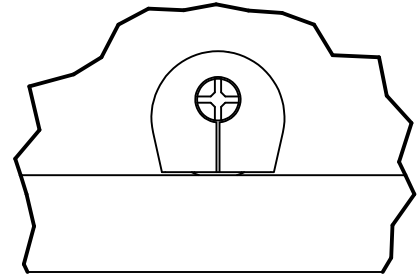
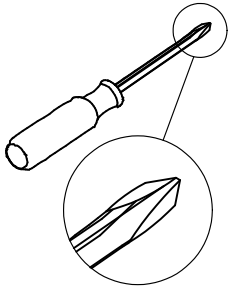


Turn clockwise to lock both parts together

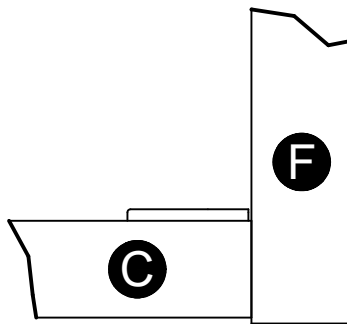
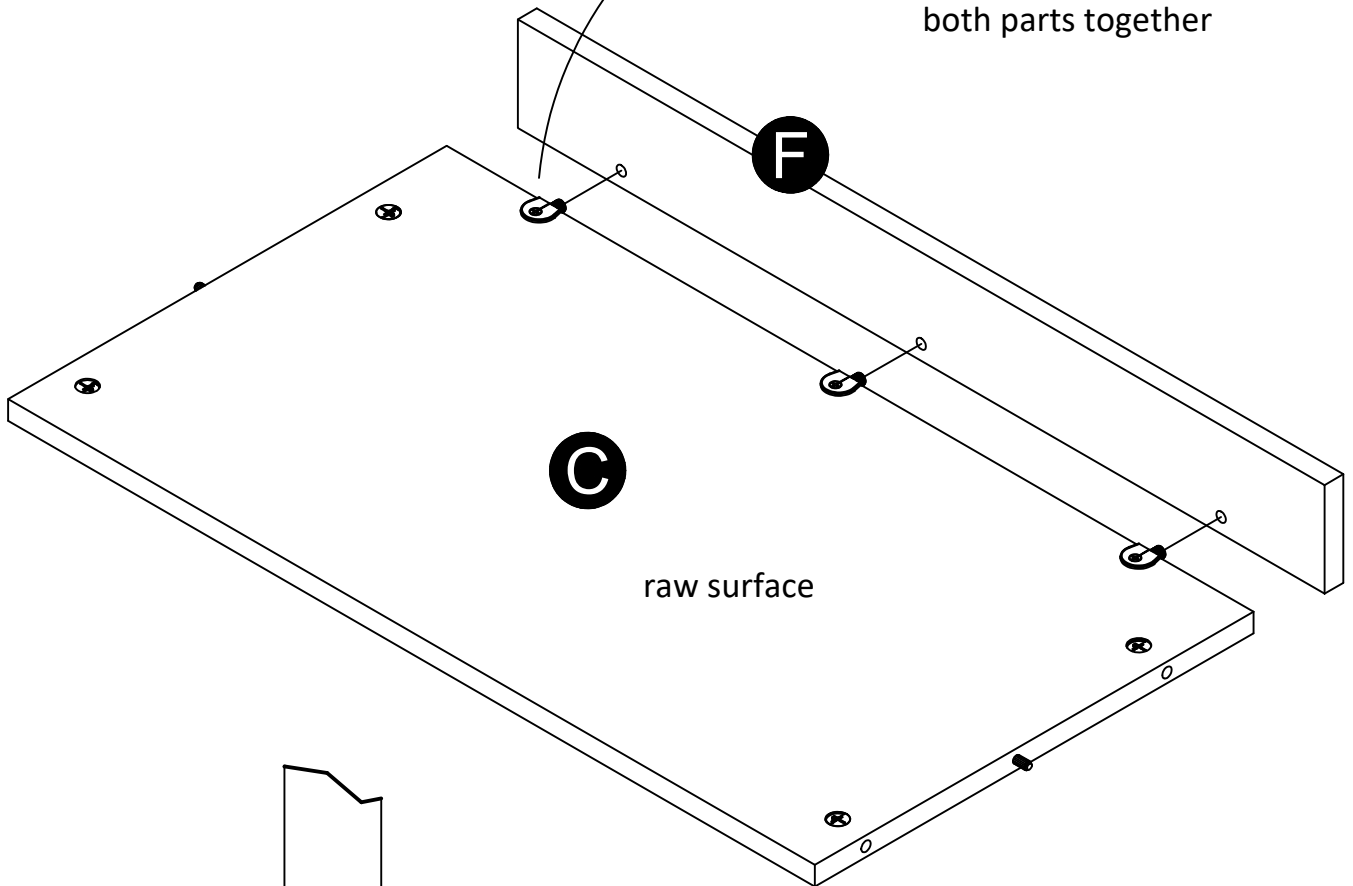


side view detail of kick location

STEP 7

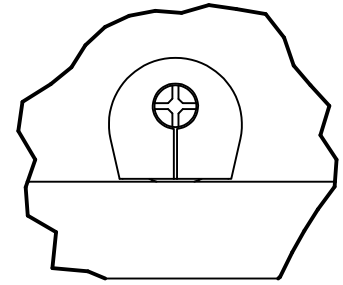
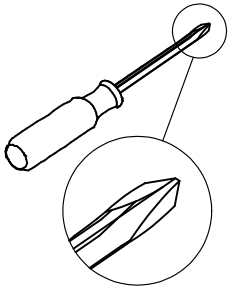


Turn clockwise to lock both parts together

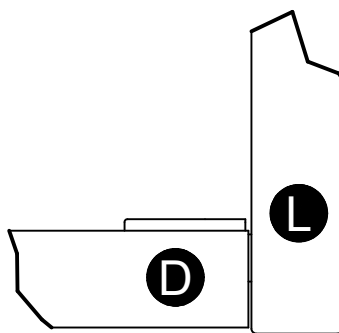
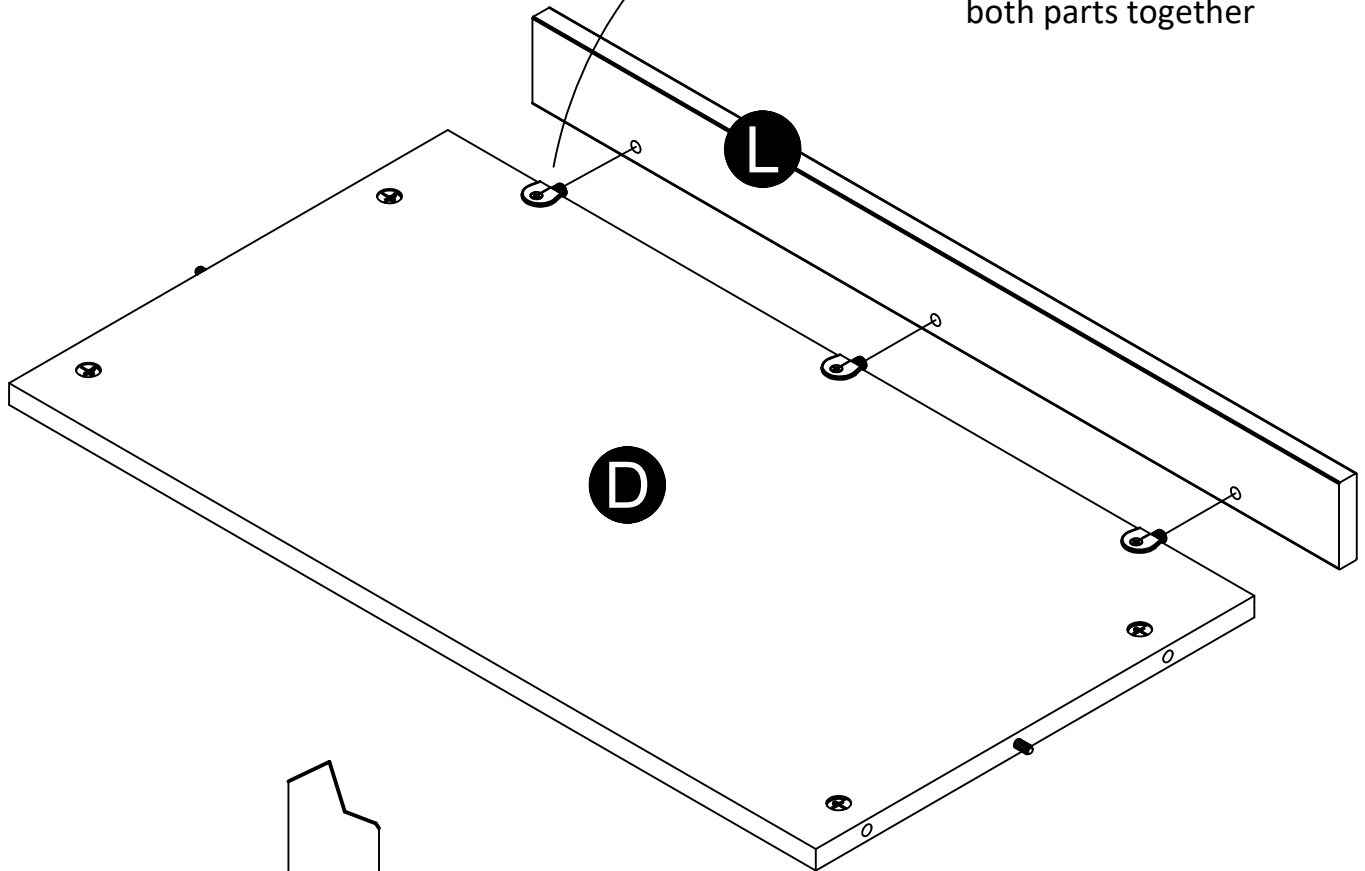


side view detail of valance location

STEP 8

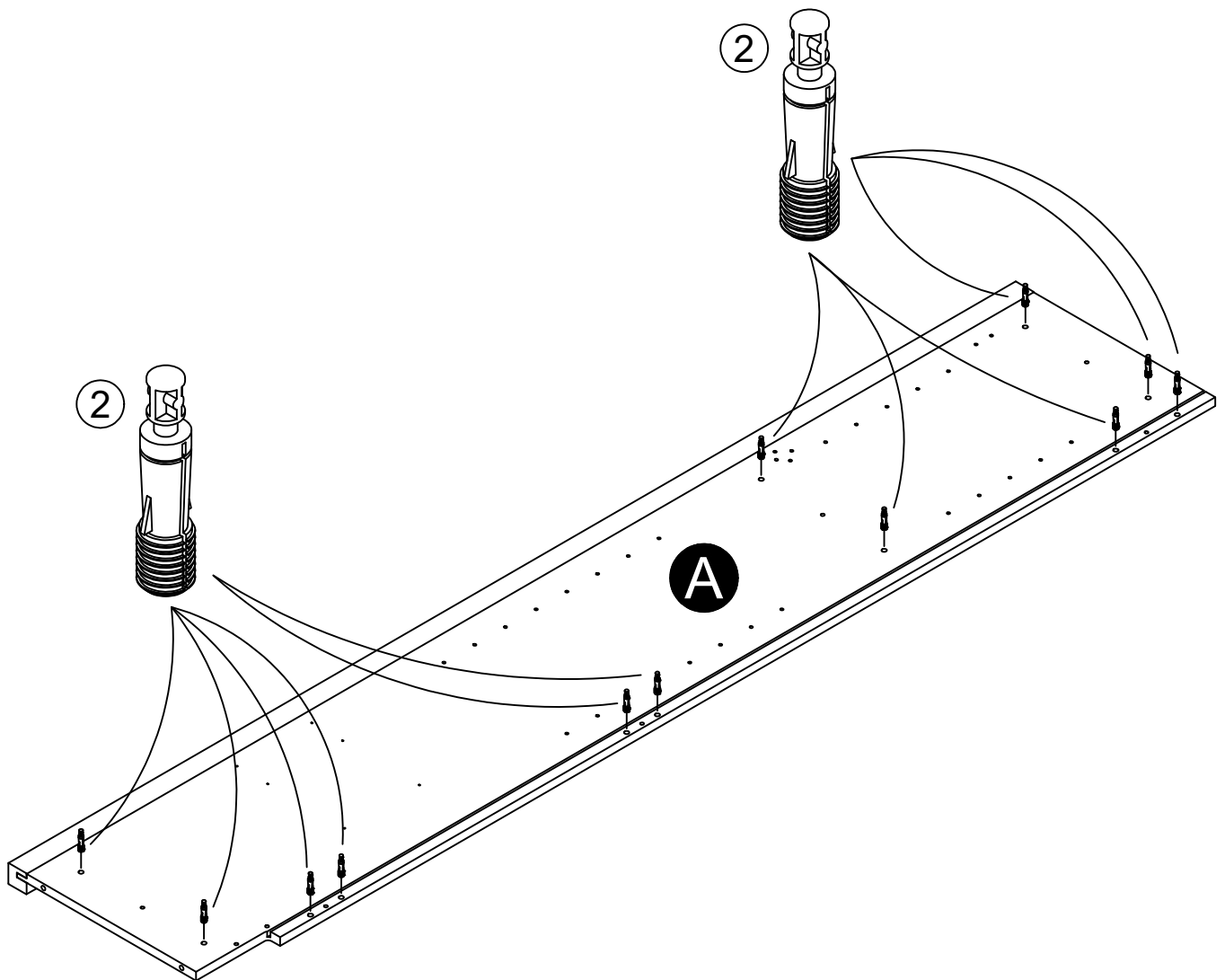
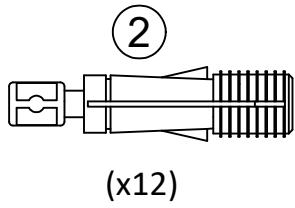


Turn clockwise to lock both parts together

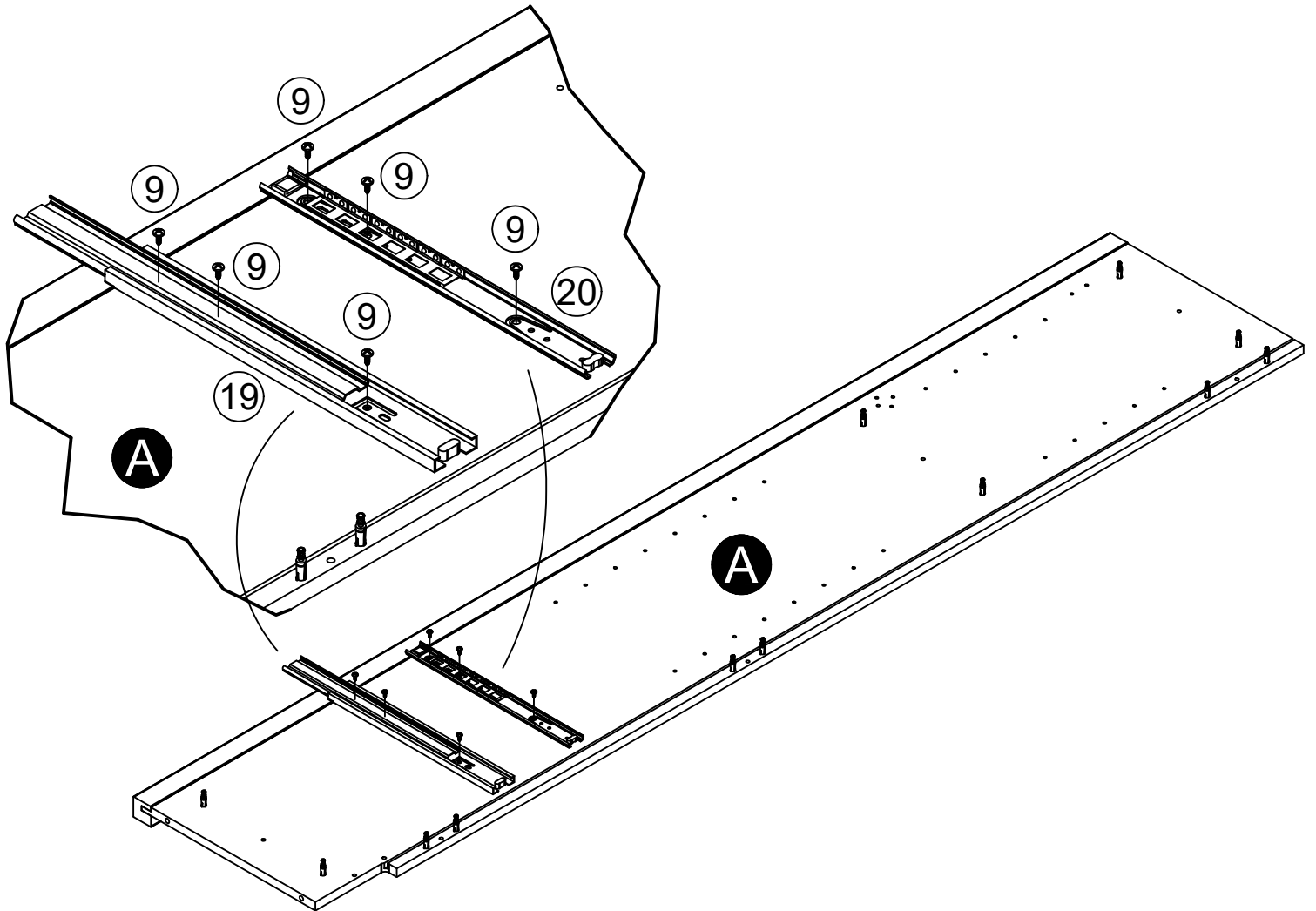
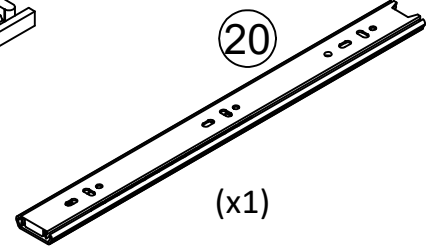
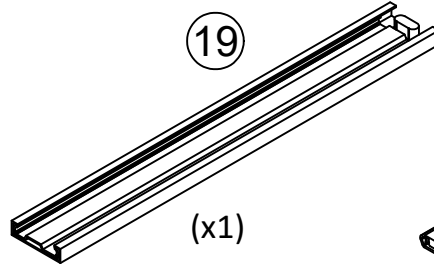
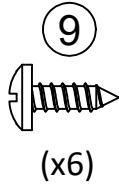
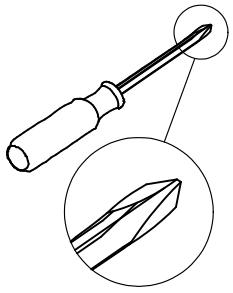


side view detail of molding location

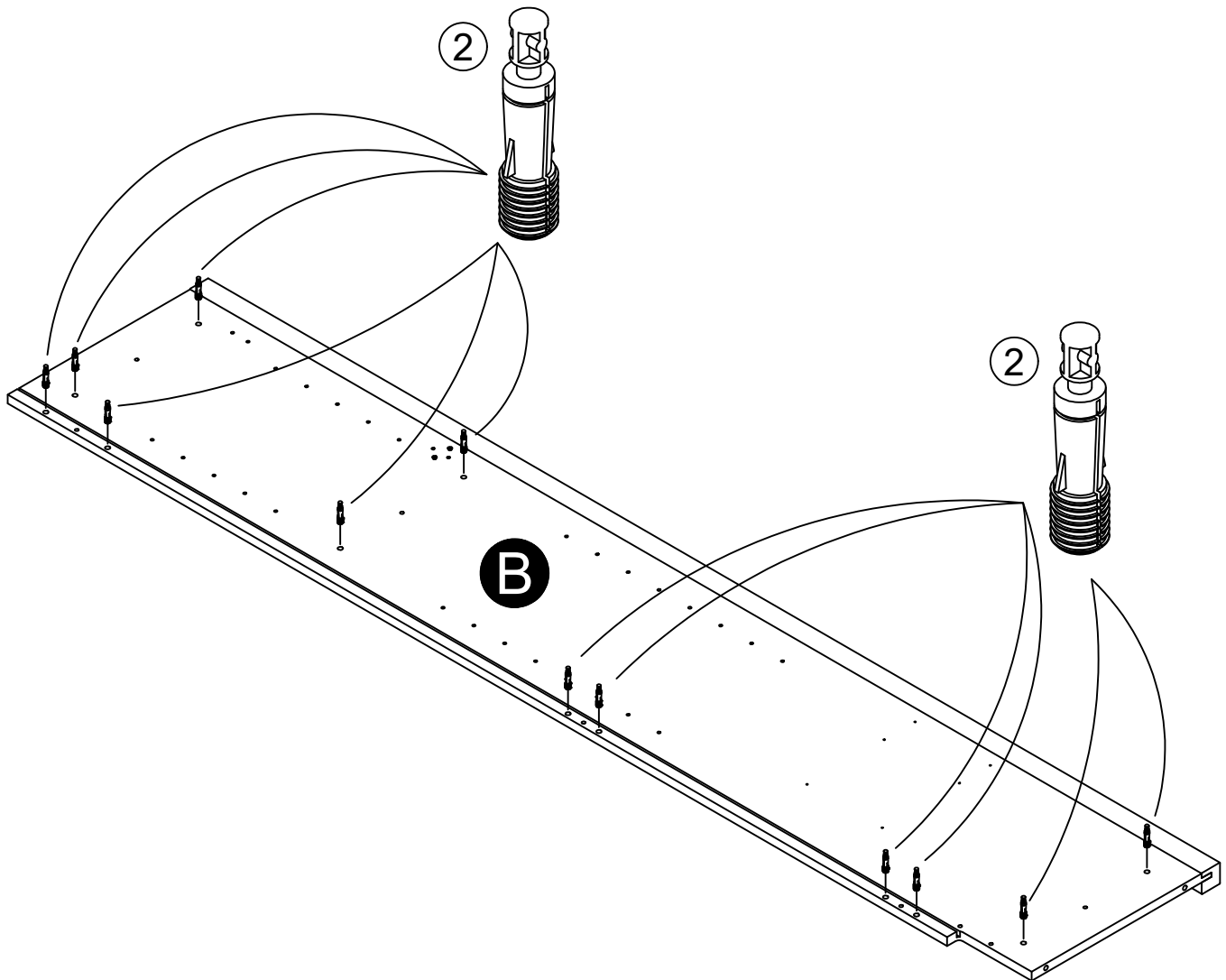
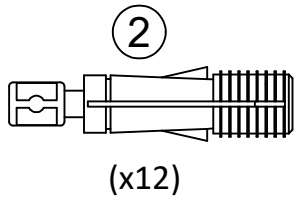
STEP 9



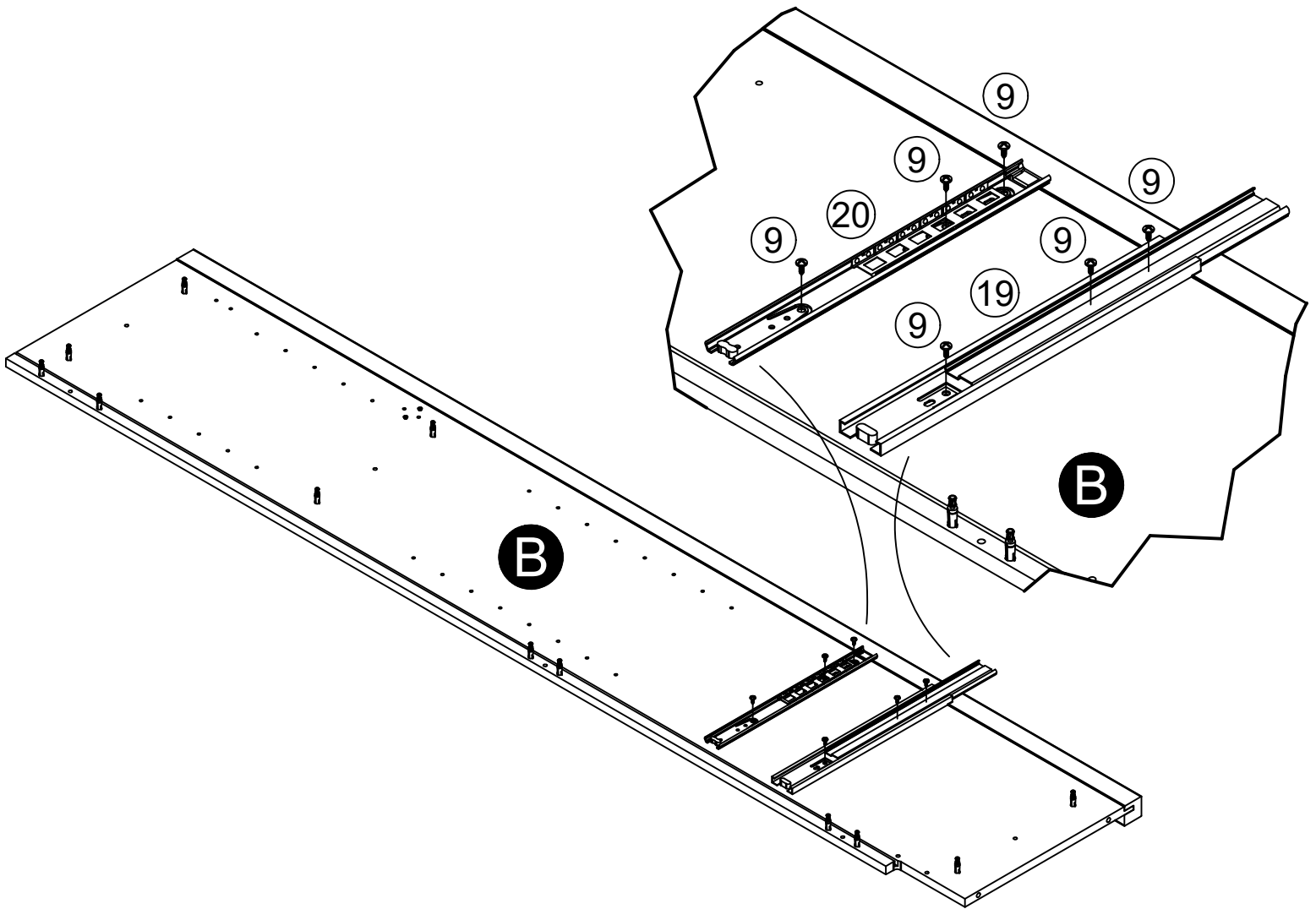
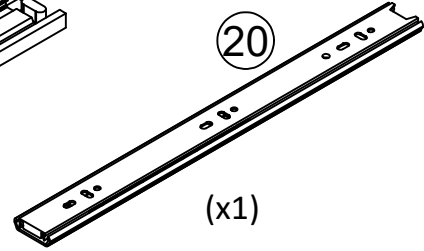
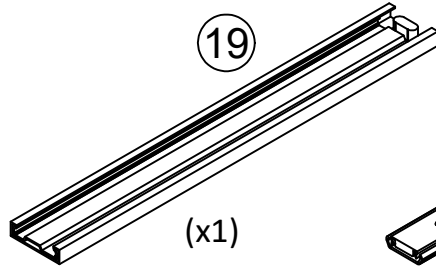
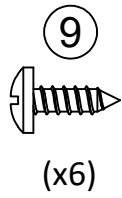
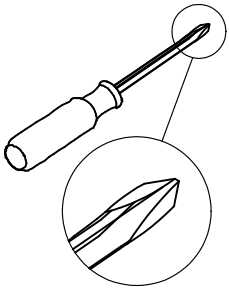
STEP 10



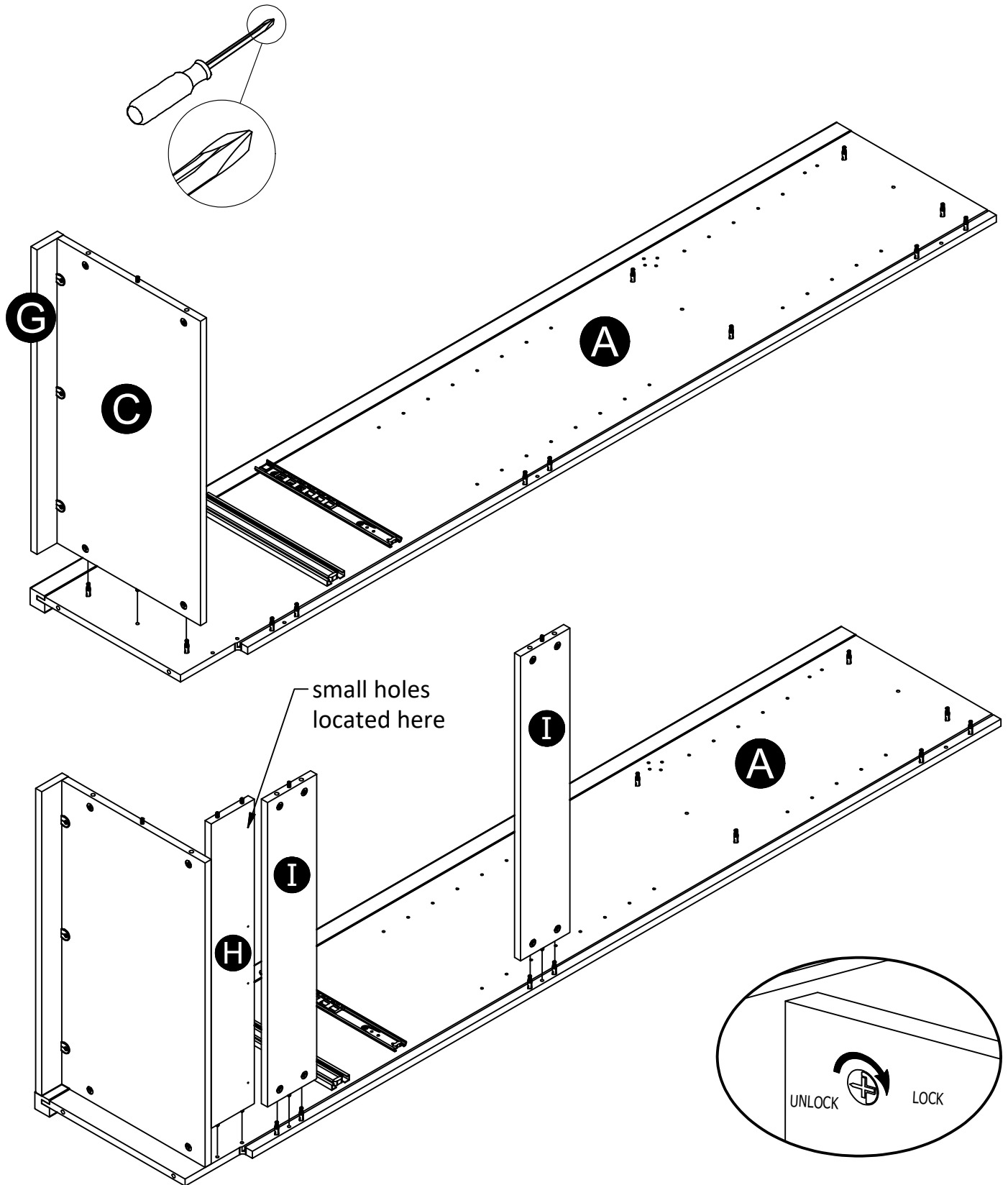
STEP 11



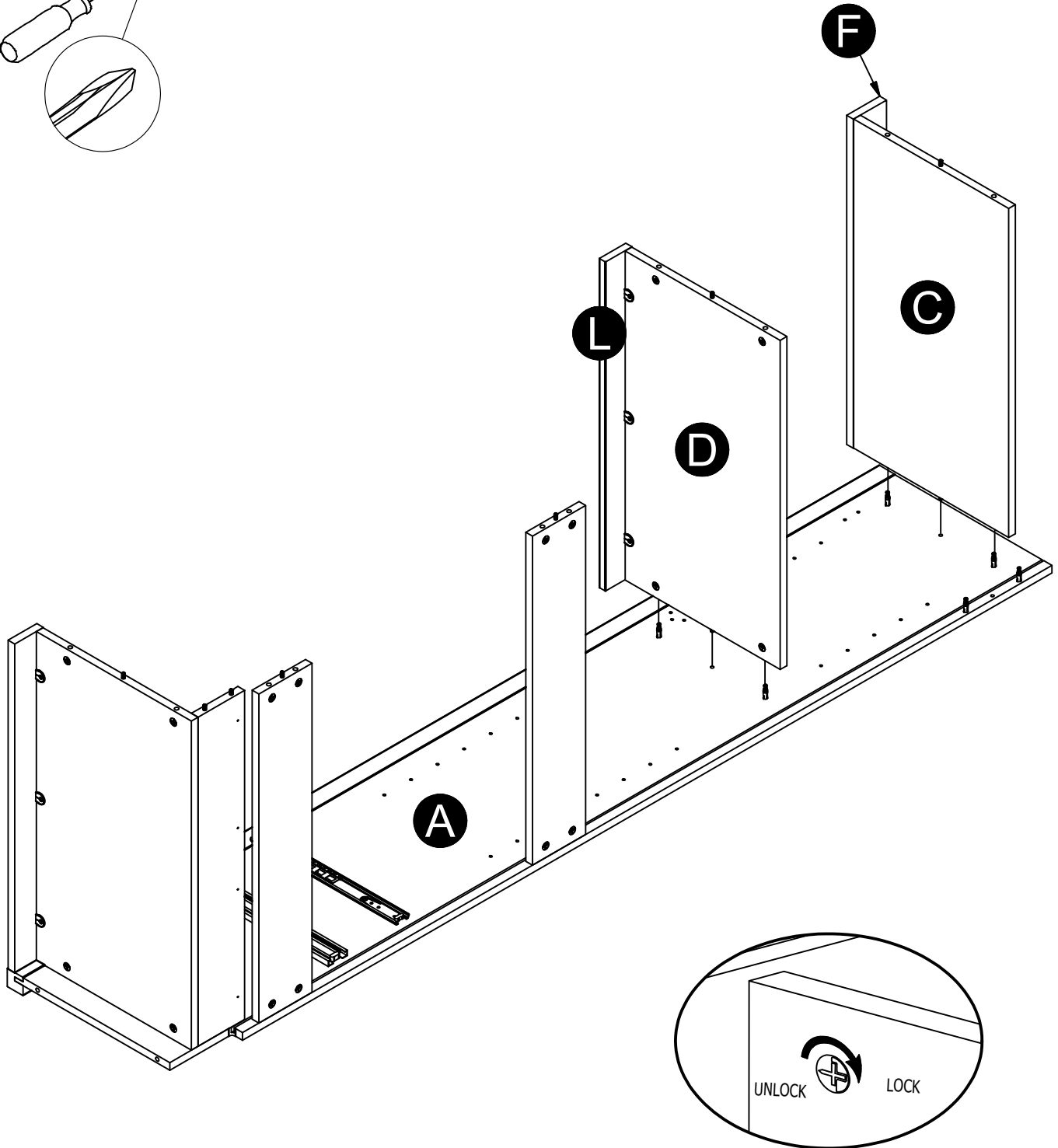
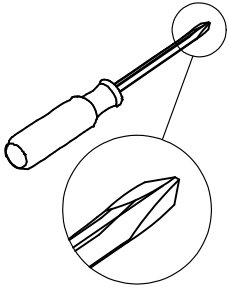
STEP 12



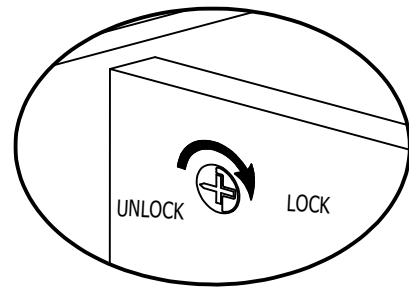
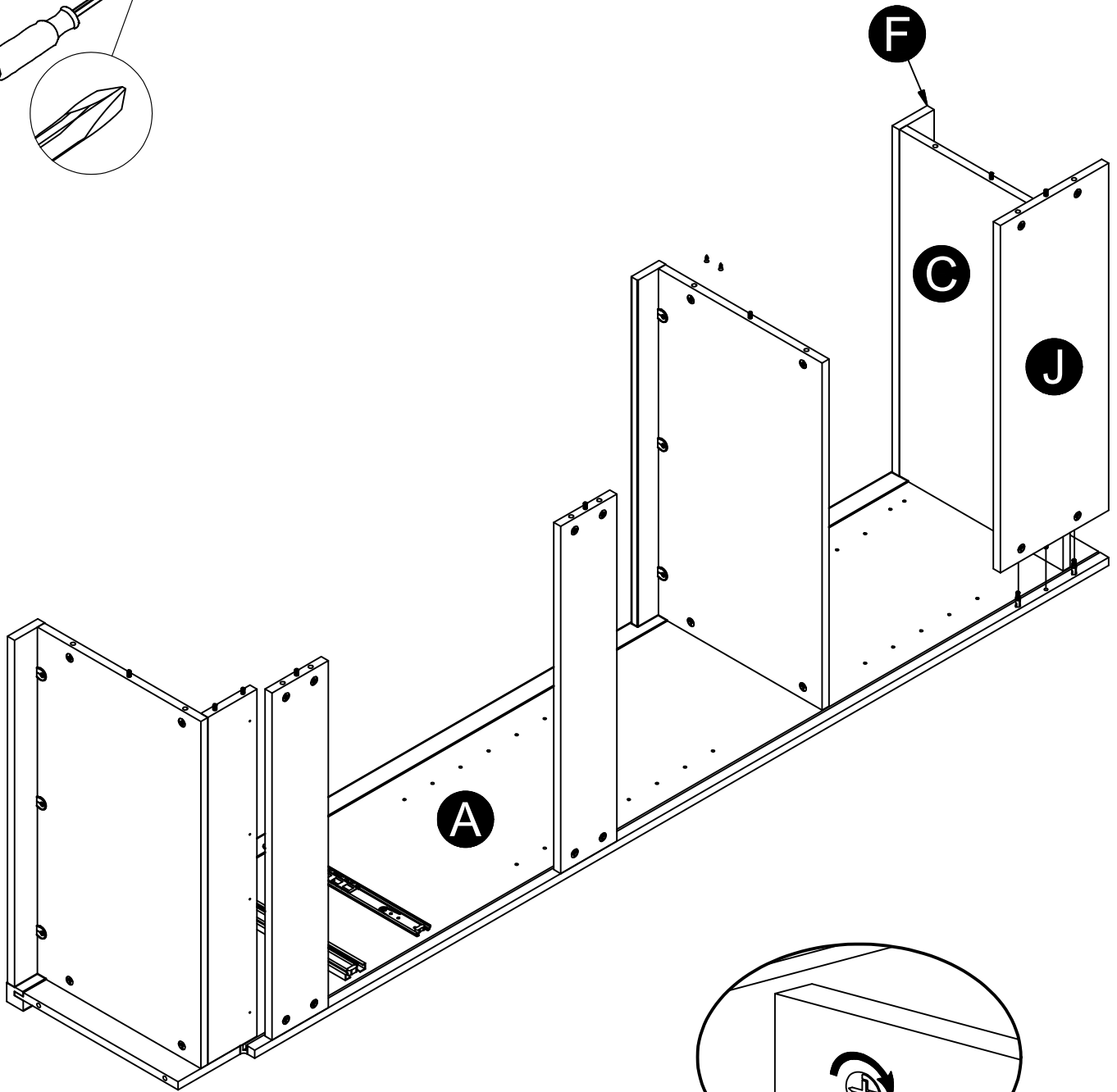
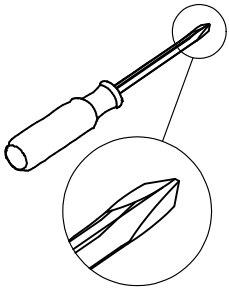
STEP 13



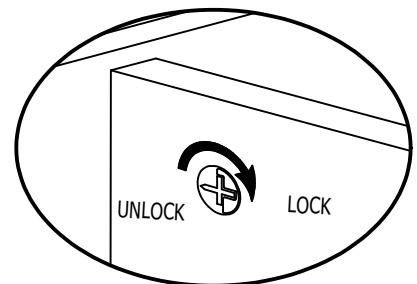
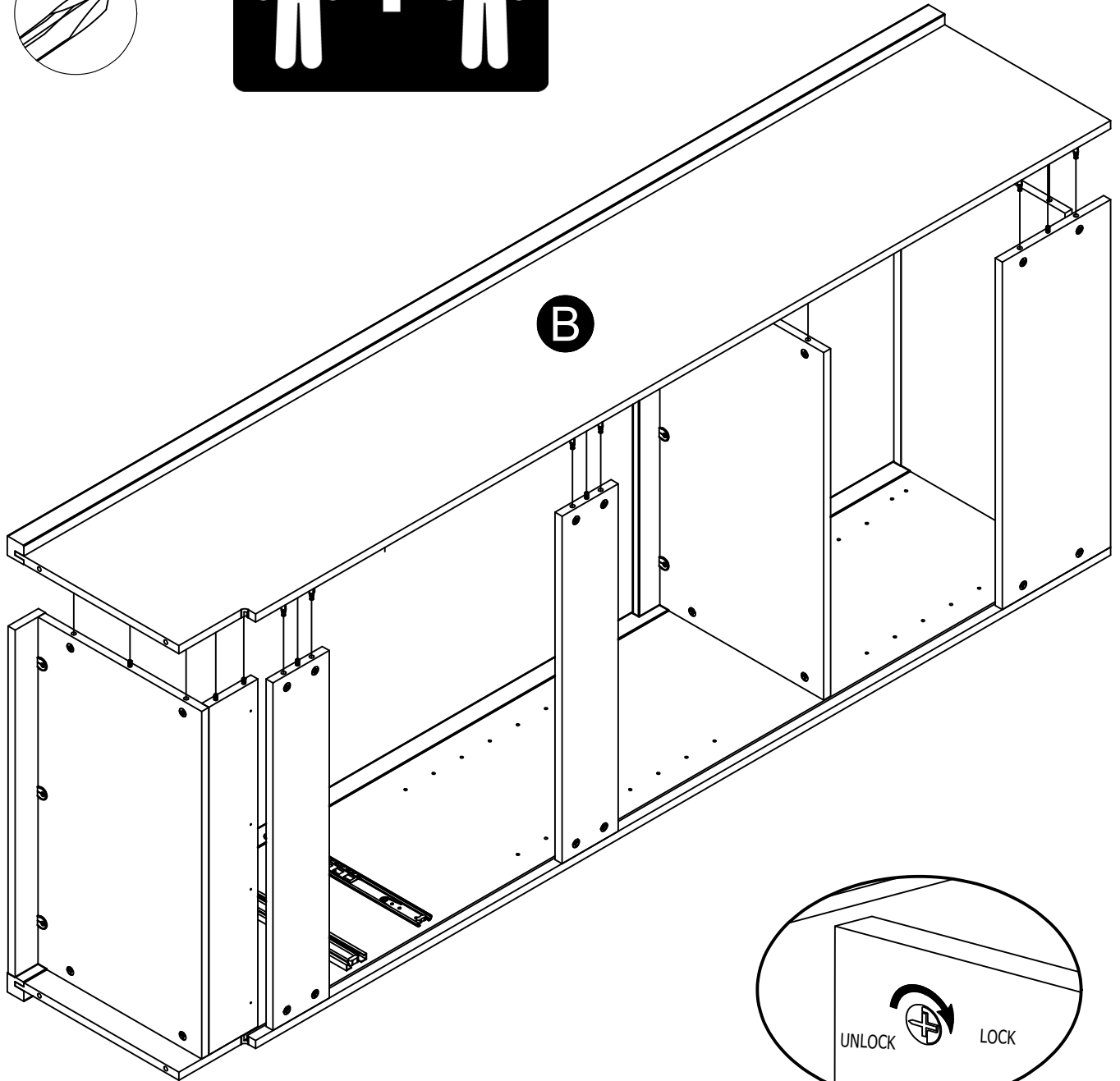
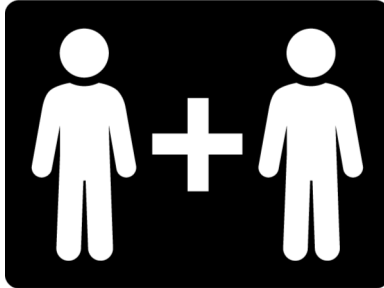
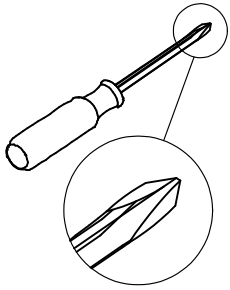
STEP 14



STEP 15



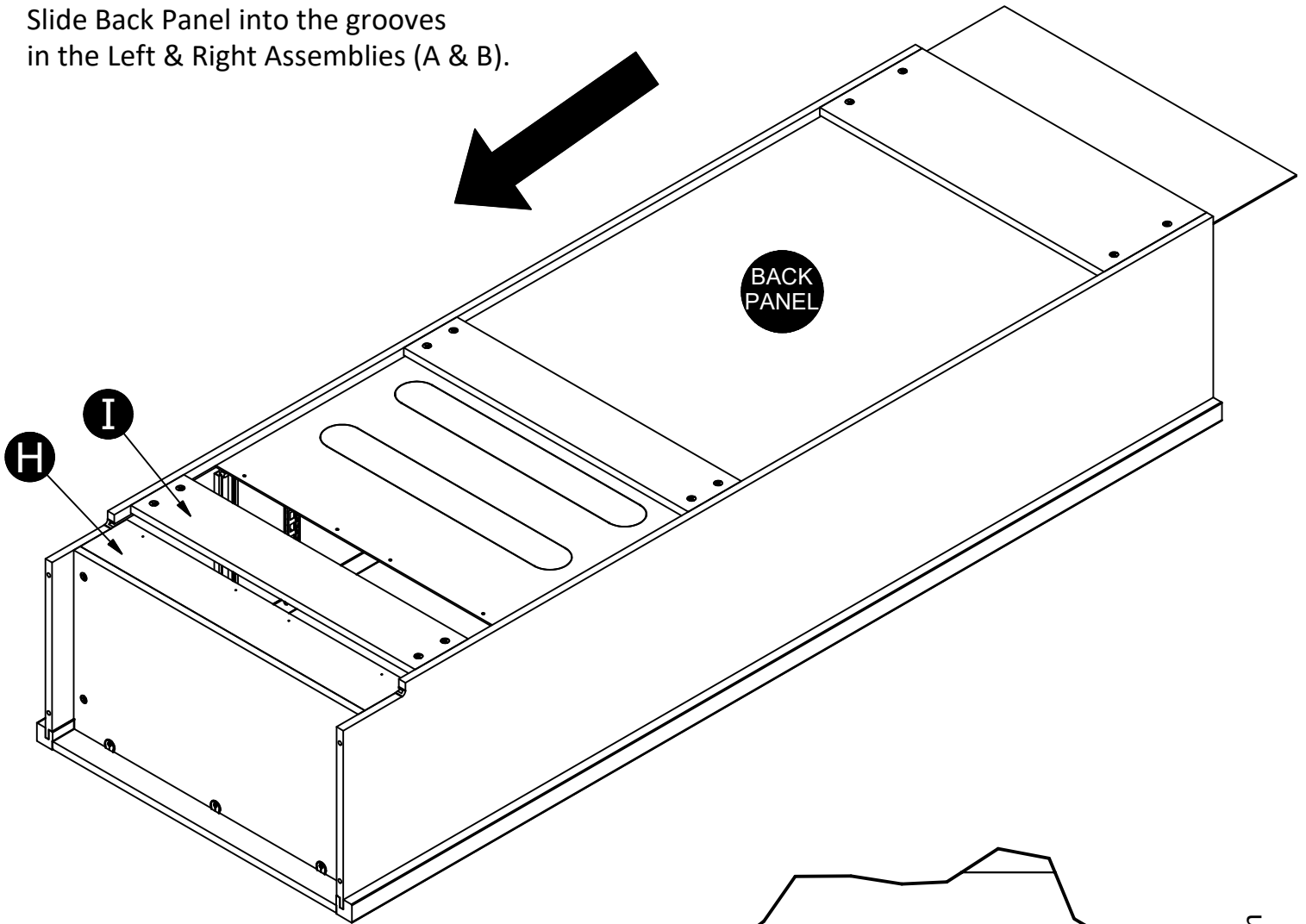
STEP 16



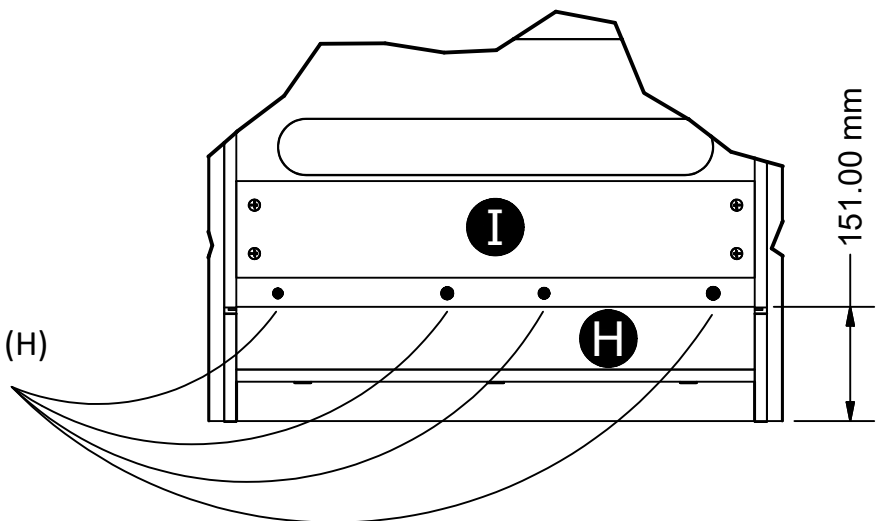
STEP 17

Place your unit onto its front...

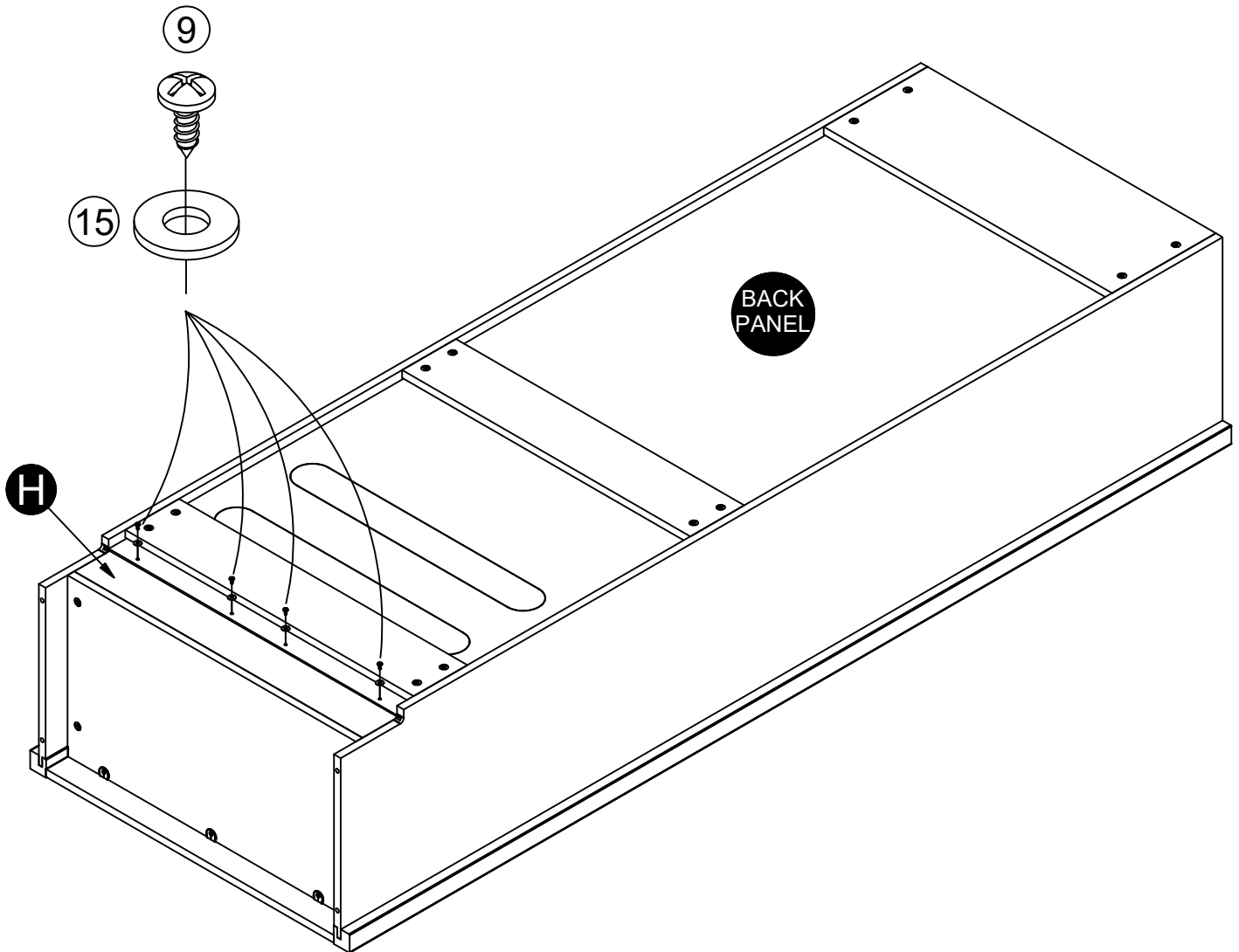
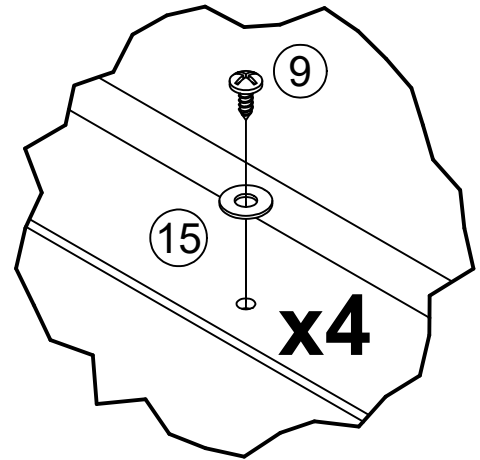
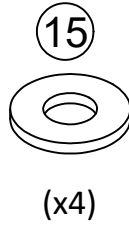
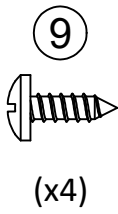
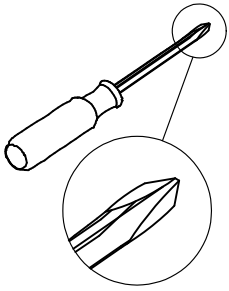
Slide Back Panel into the grooves
in the Left & Right Assemblies (A & B).



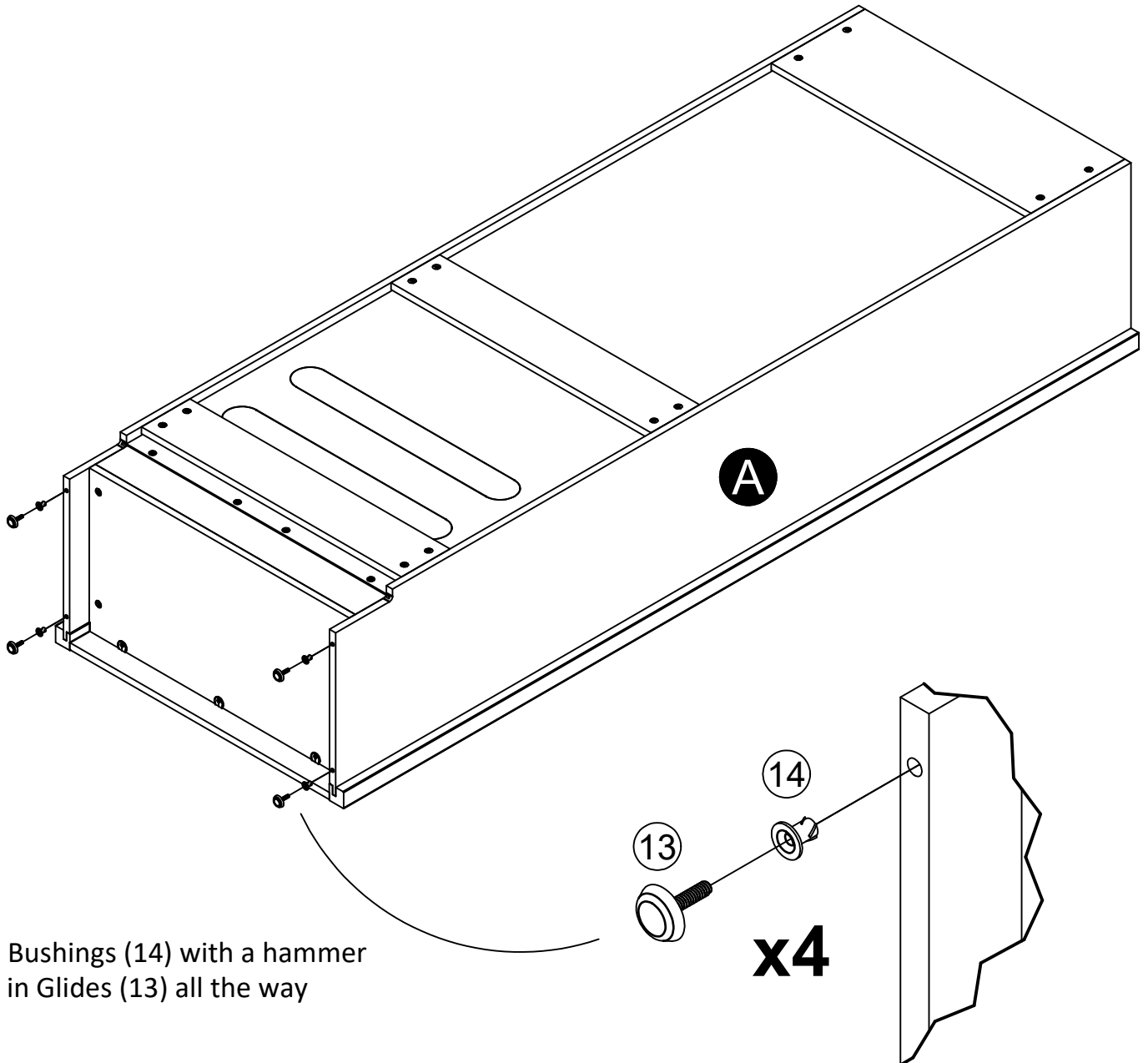
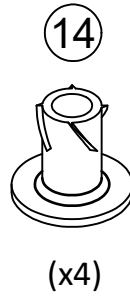
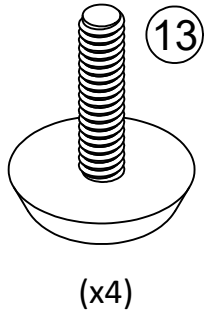
Please assure the Back Panel is
aligned with the holes in the Back Rail (H)



STEP 18



STEP 19



Tap in Bushings (14) with a hammer
Screw in Glides (13) all the way

The next steps are to assemble your unit to the wall

**Assembled unit MUST be square on the height, width,
and depth to function properly**

Assembled unit MUST be placed flat against the wall

**Assembled unit MUST be screwed into wall studs for
safety**

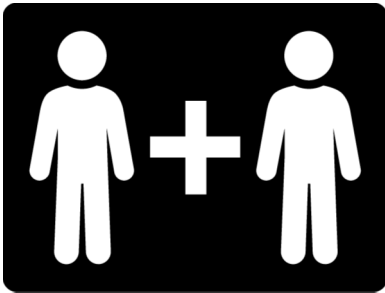
DO NOT use wall anchors to fasten your unit to the wall

**For Masonry, Concrete, or other
wall materials:**

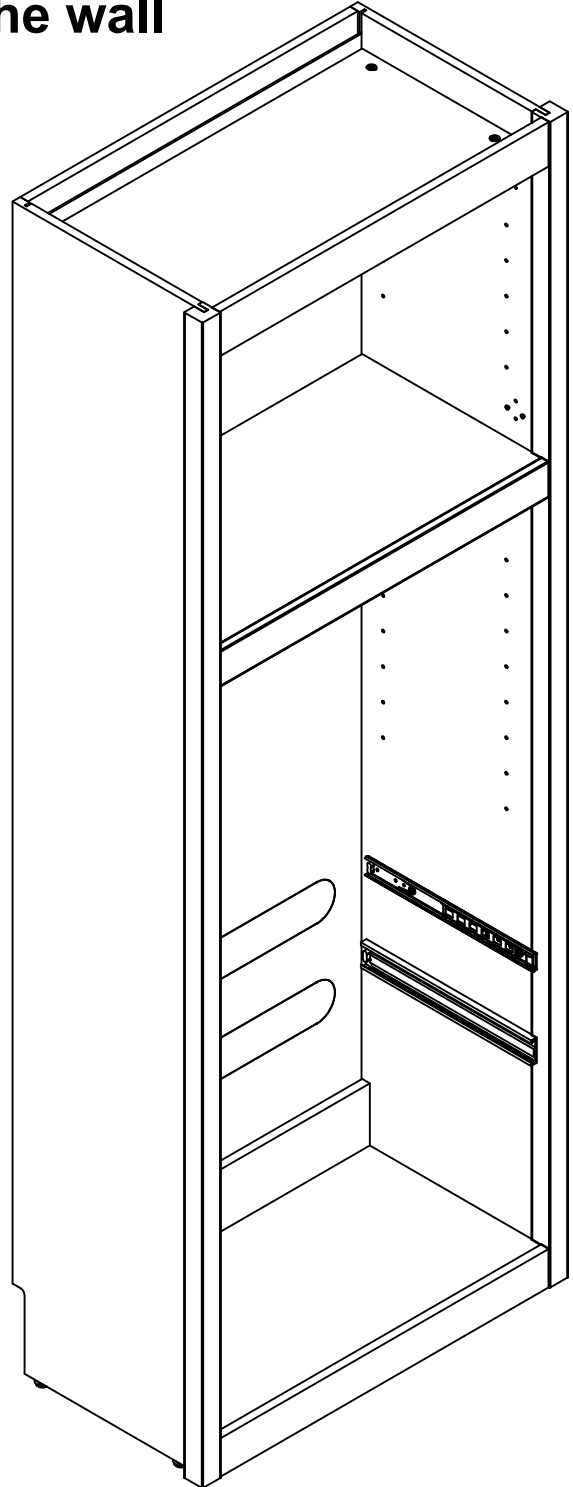
Consult your local hardware store
for appropriate anchors to securely
attach your unit to the wall.

STEP 20

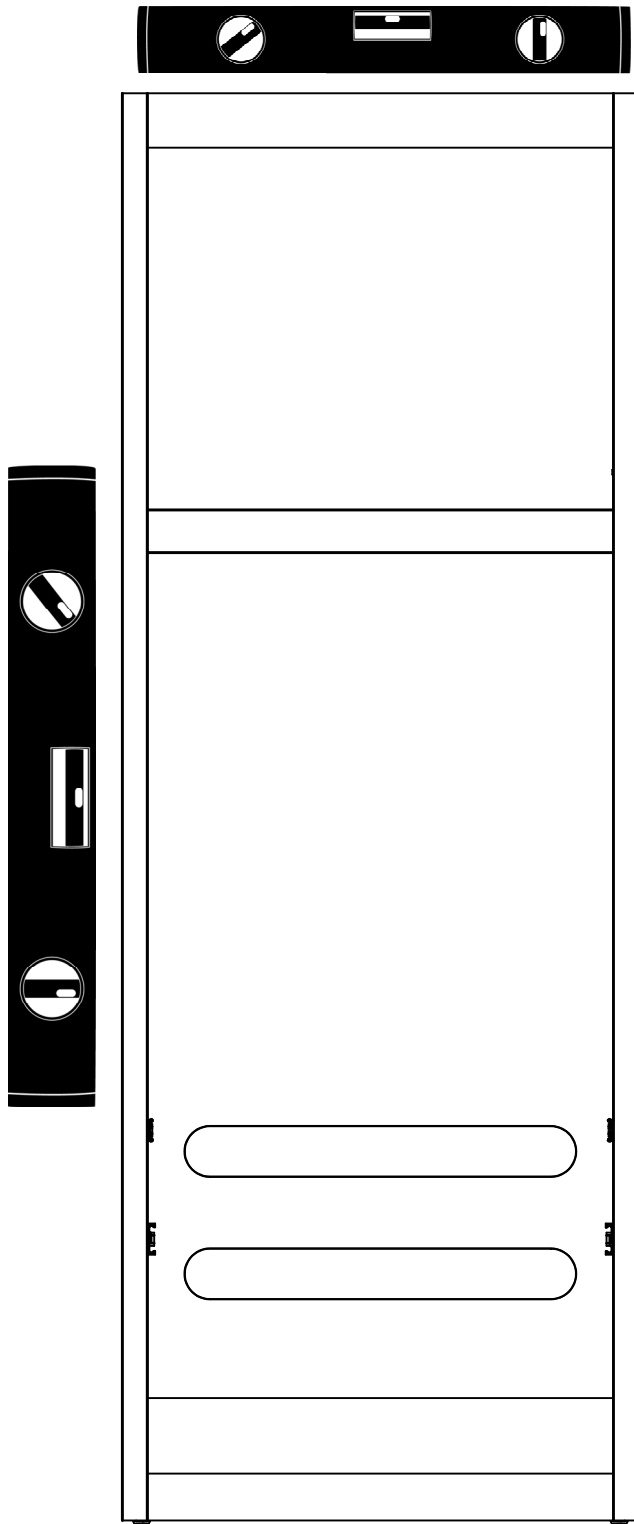
Place your unit FLUSH against the wall



There are notches provided at the back of your unit. These notches are to fit around the baseboard on your wall. If your baseboard is higher or thicker than the notches provided on the unit, you will need to remove the baseboard, cut it down to fit on both sides of your unit, then refasten to the wall.



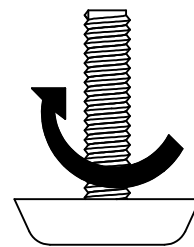
STEP 21



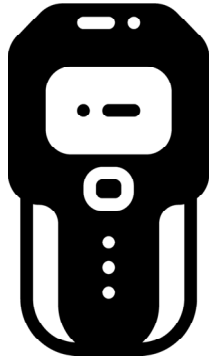
Assembled unit MUST be square on the height, width, and depth to function properly

**A ladder will be required
Do not lean against the
top of the unit, it may
cause sagging**

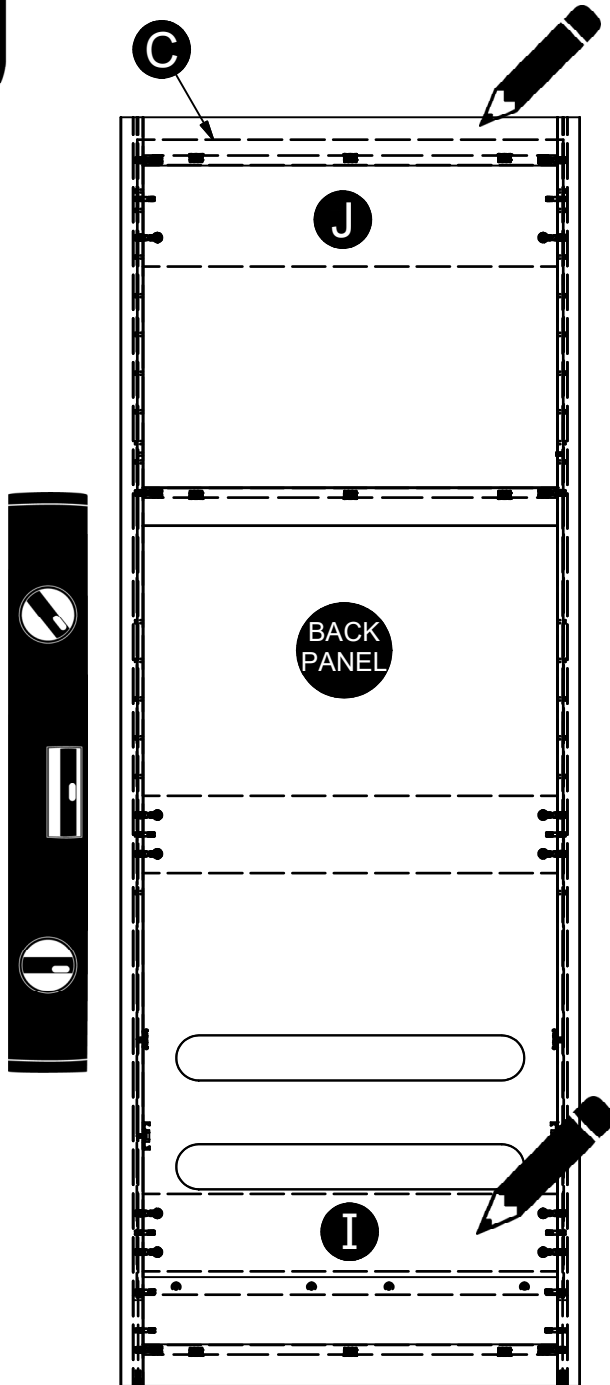
If required, unscrew the Glides counter-clockwise as necessary in all 4 corners until your unit is level in all directions



STEP 22

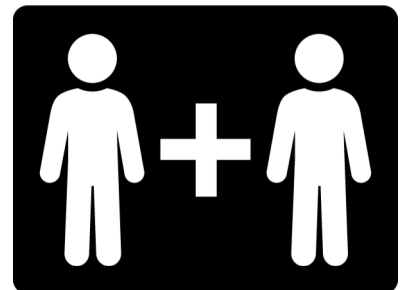


Locate the studs in the wall, using a stud finder. Using a pencil, mark the stud locations on the upper surface of the Upper Back Panel (J) above the Shelf (C) and on the lower Stringer (I). Locate the Lower Stringer (I) behind the Back Panel.

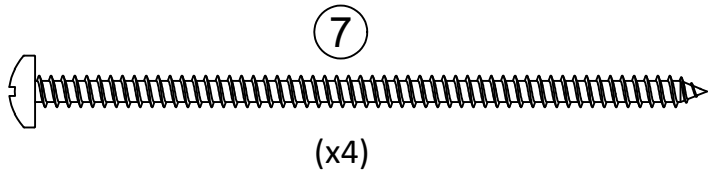


You need to locate 2 studs (2 marks at the top & 2 marks at the bottom).

**A ladder will be required
Do not lean against the top of the unit, it may cause sagging**

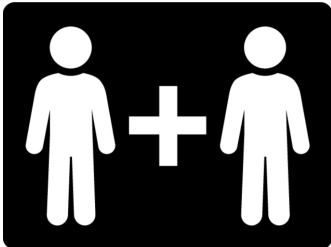


STEP 23

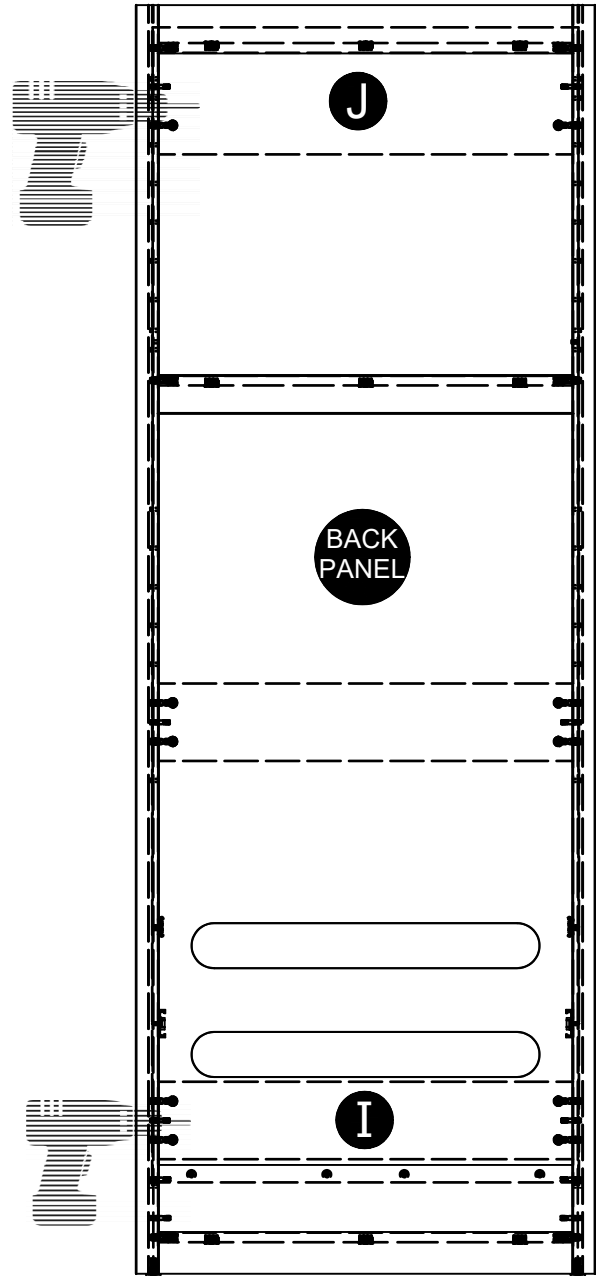


First, make sure that your unit is still level in all directions.

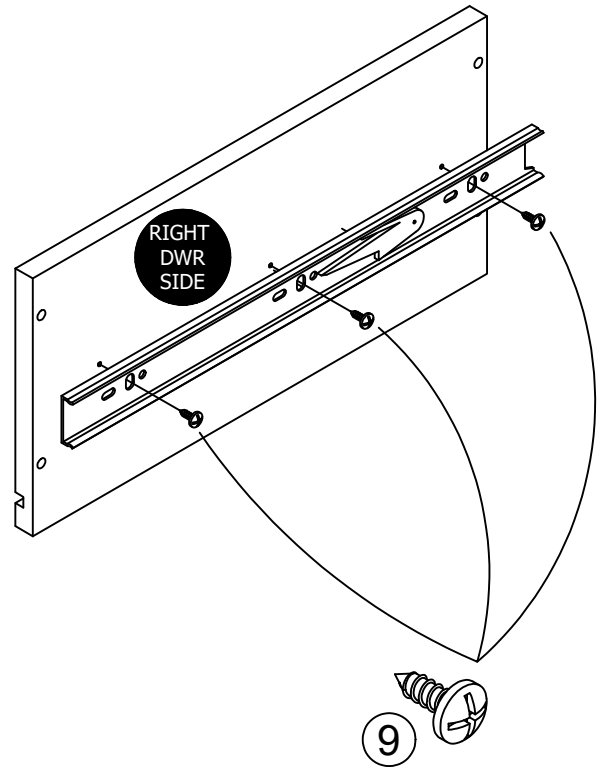
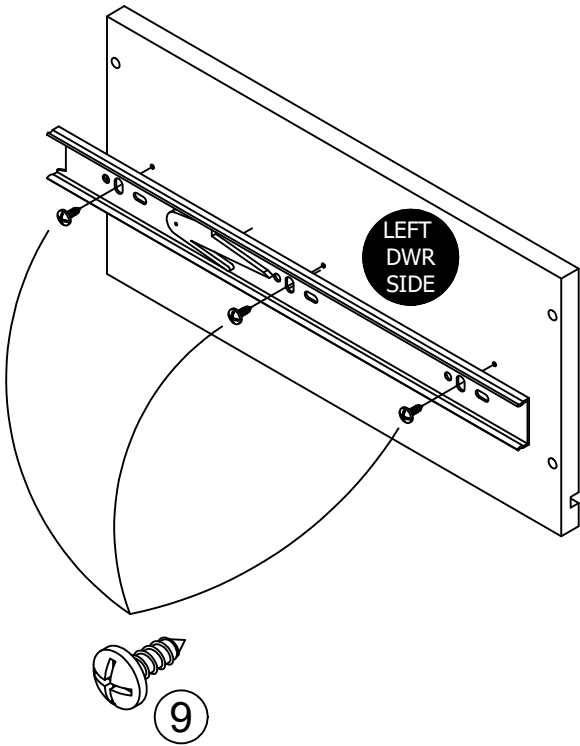
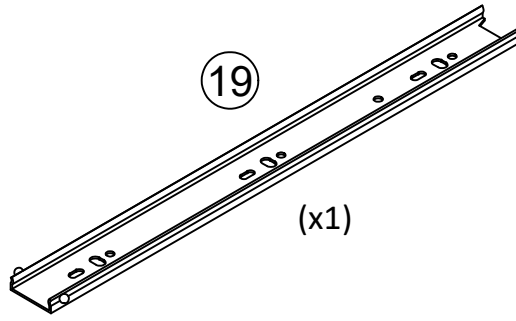
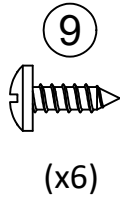
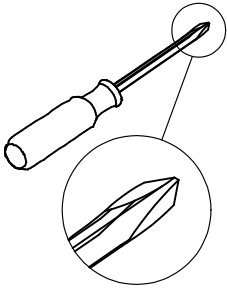
Drill 1/8" (3mm) pilot holes through the Upper Back Panel (J) and through the Back Panel and Stringer (I) at the stud locator marks. Fasten the unit to the studs in the wall with the Screws (7).



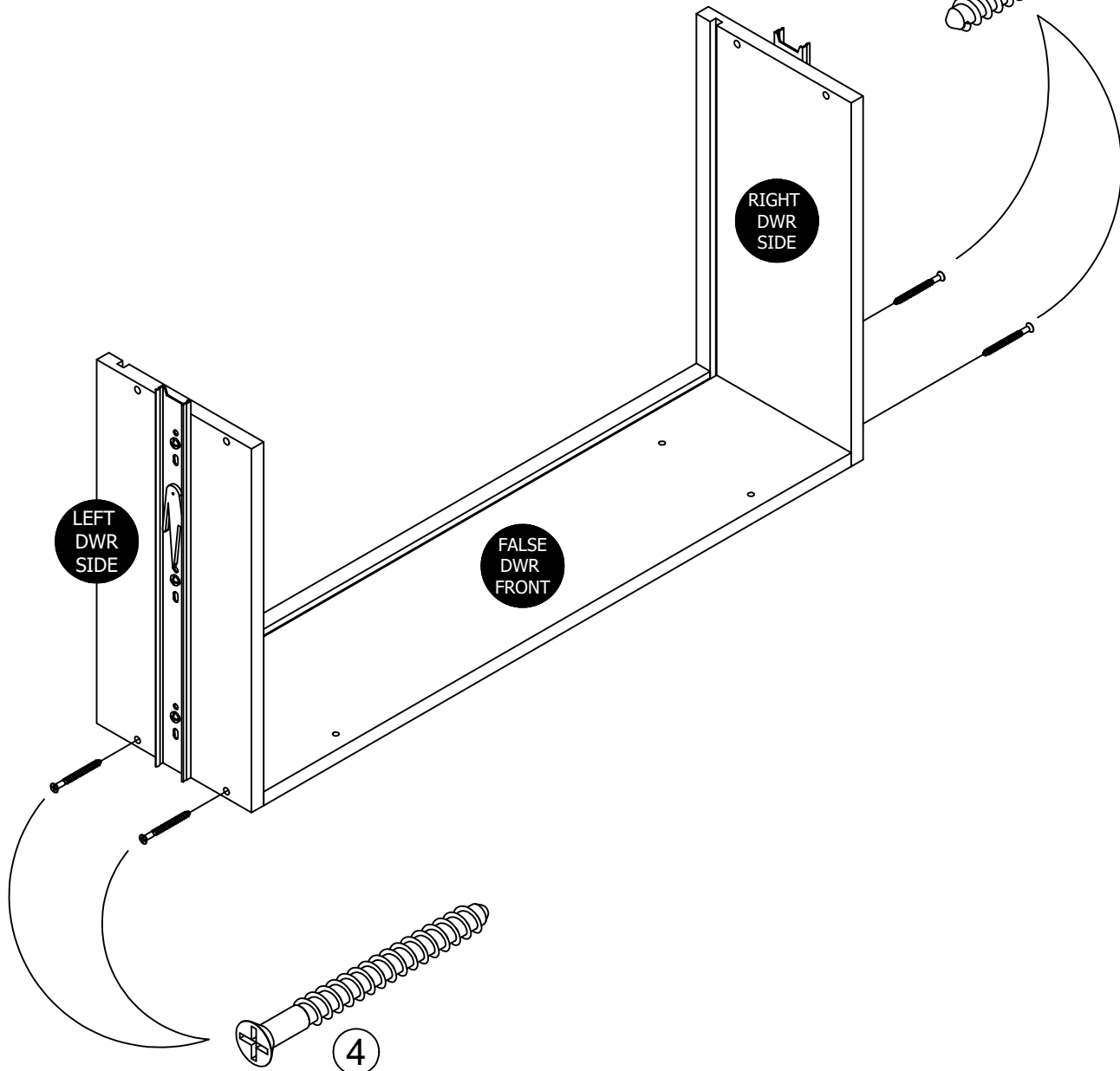
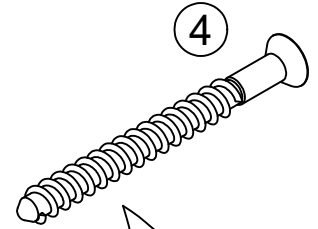
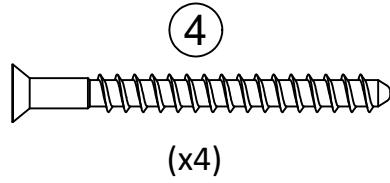
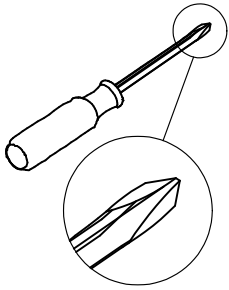
A ladder will be required
Do not lean against the top of the unit, it may cause sagging



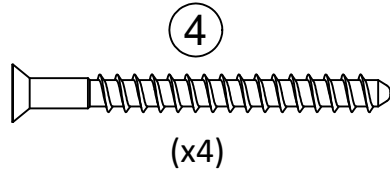
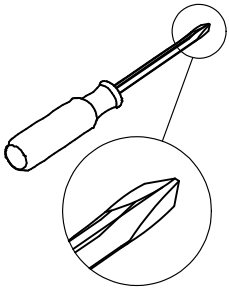
STEP 24



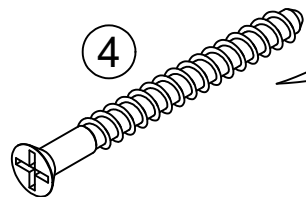
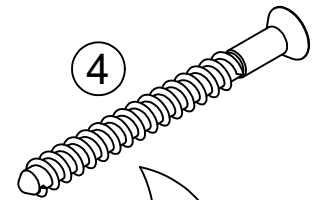
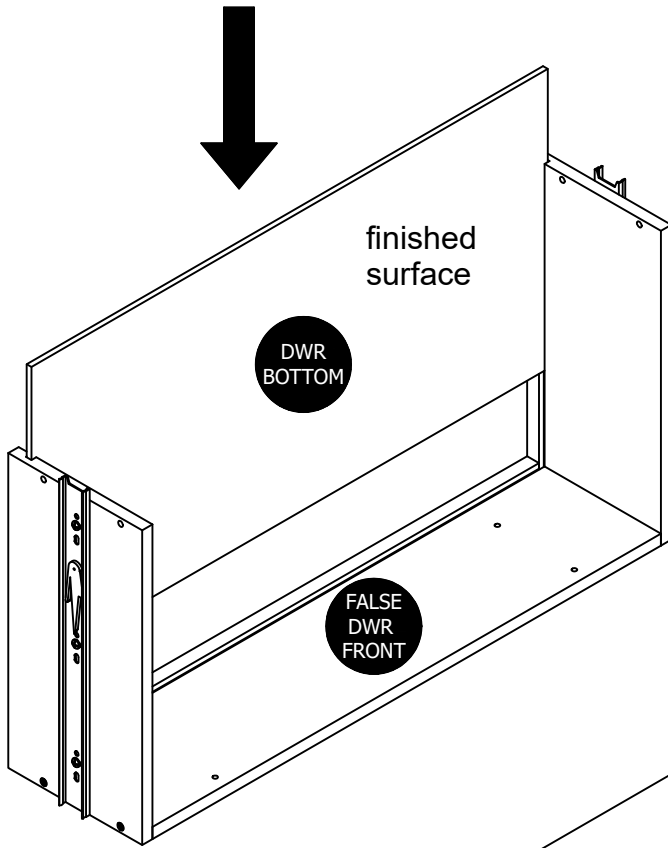
STEP 25



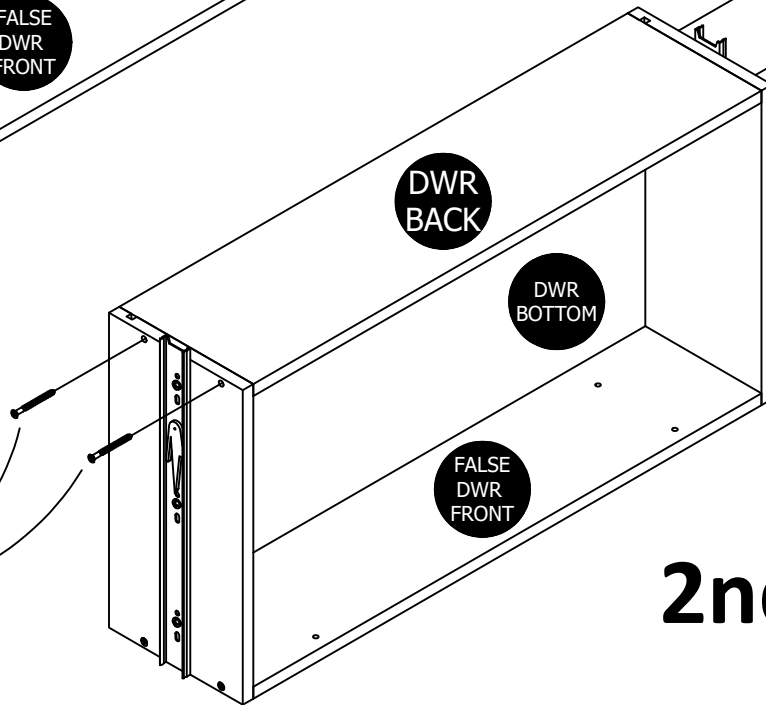
STEP 26



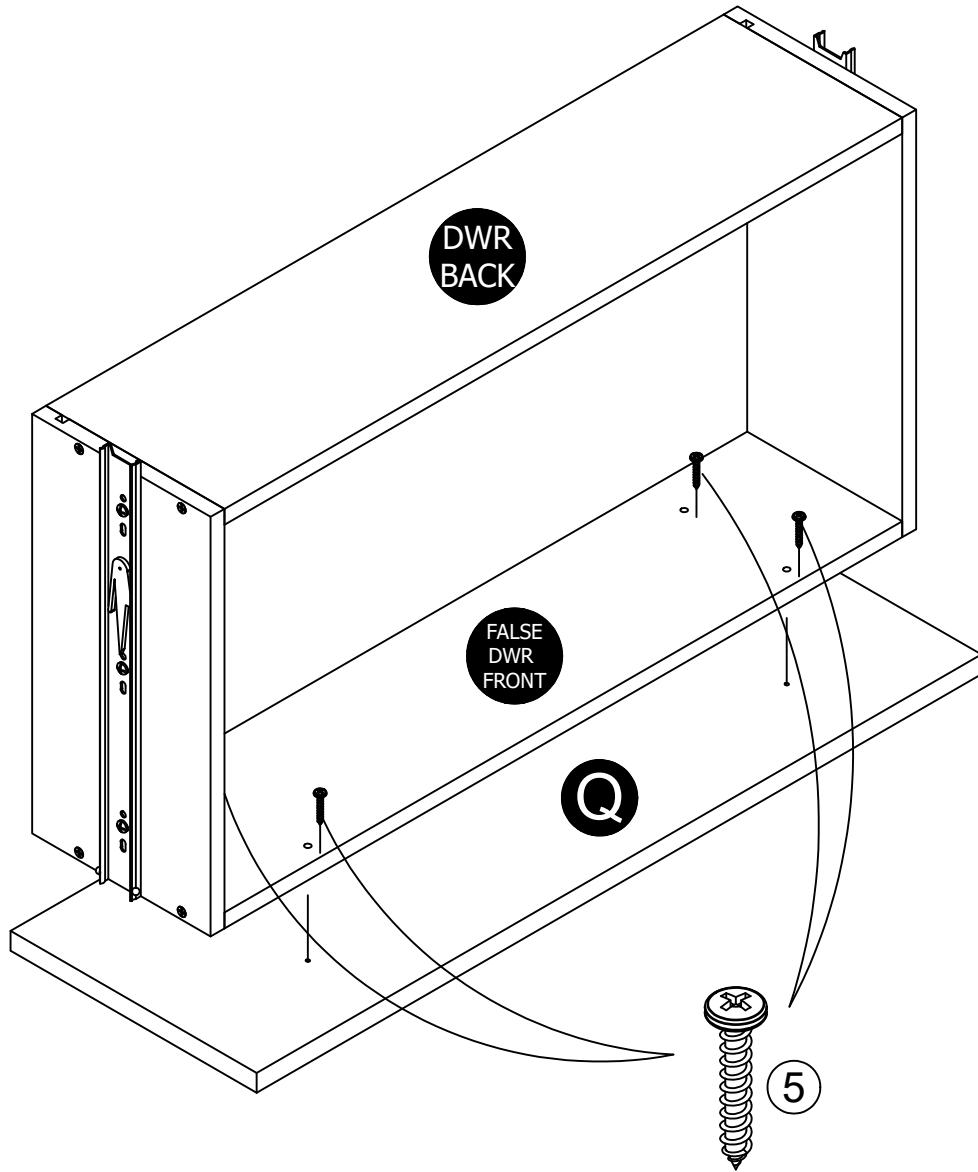
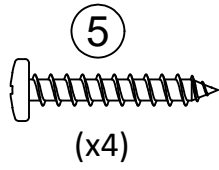
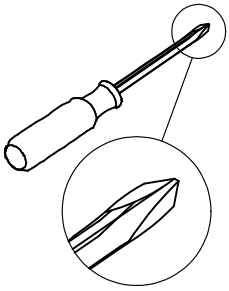
1st



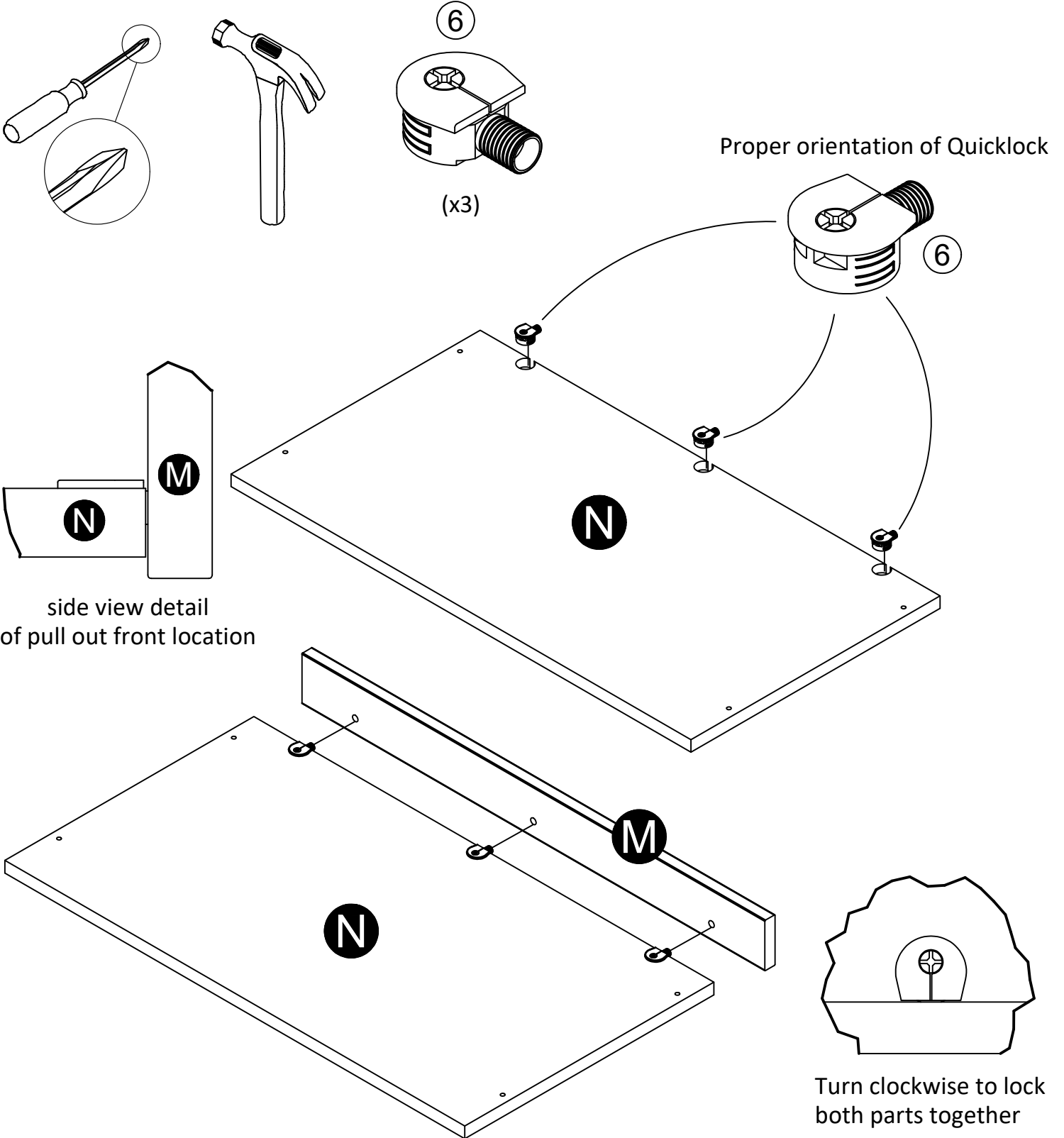
2nd



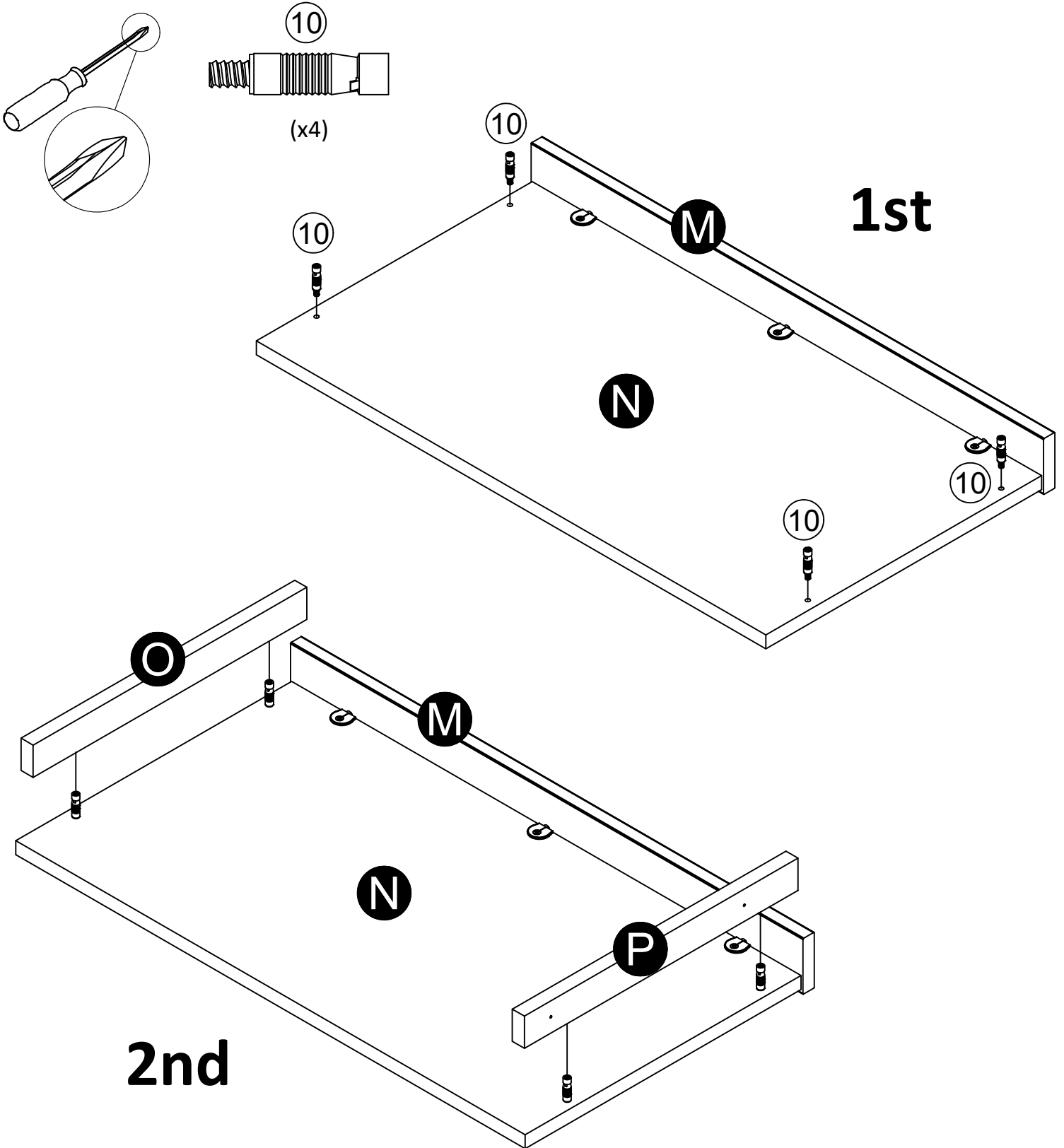
STEP 27



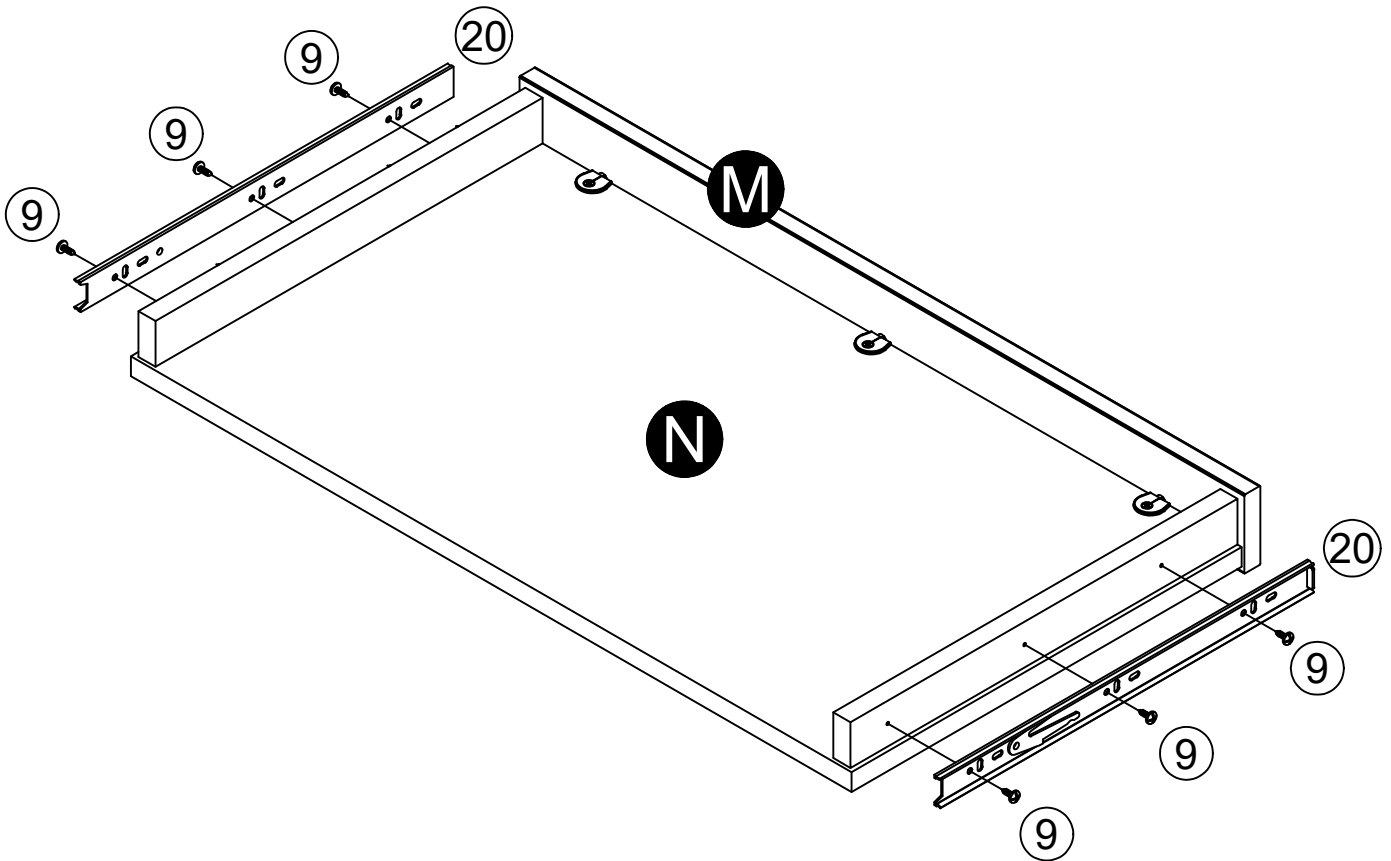
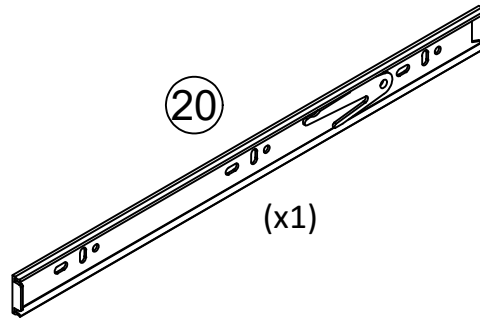
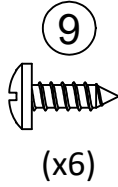
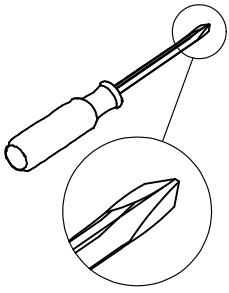
STEP 28



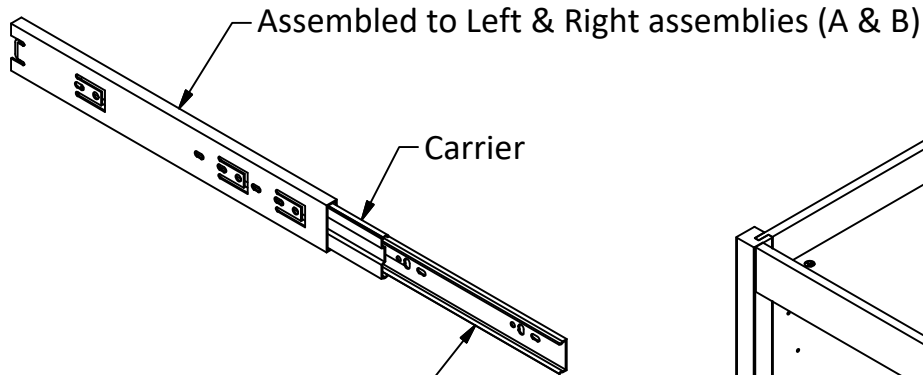
STEP 29



STEP 30

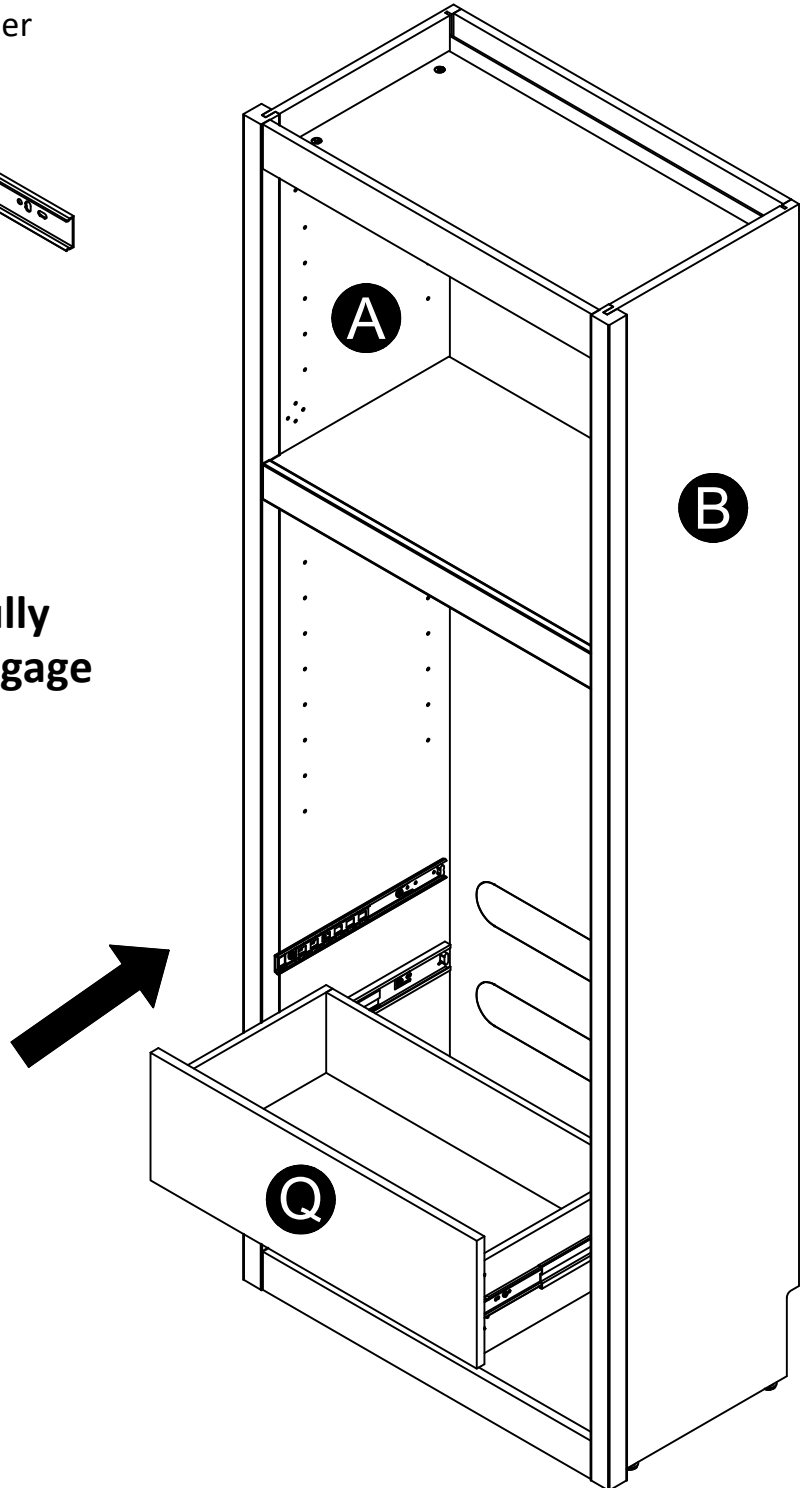
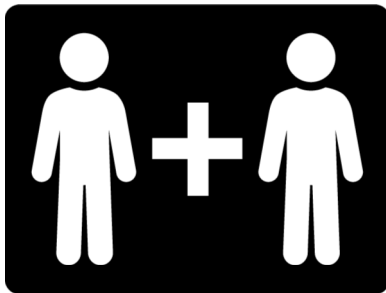


STEP 31

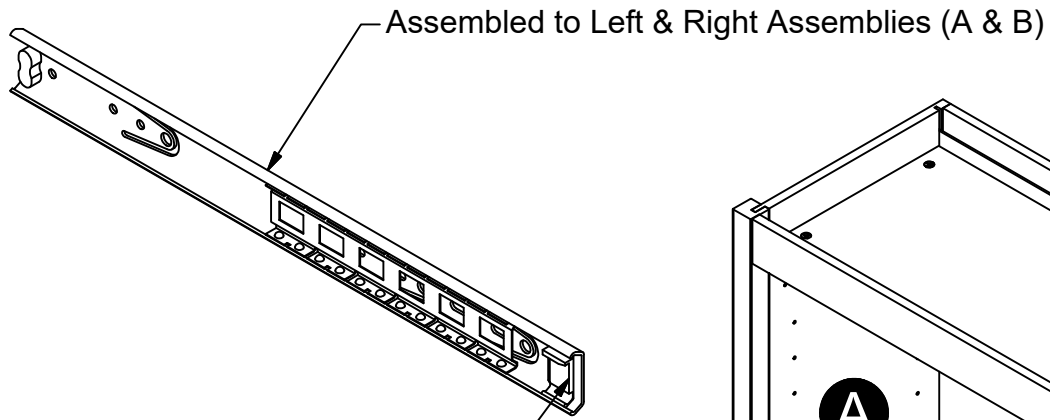


Assembled to drawer sides (make sure to fully engage into carrier)

You will need to push forcefully onto the assembly to fully engage the slides

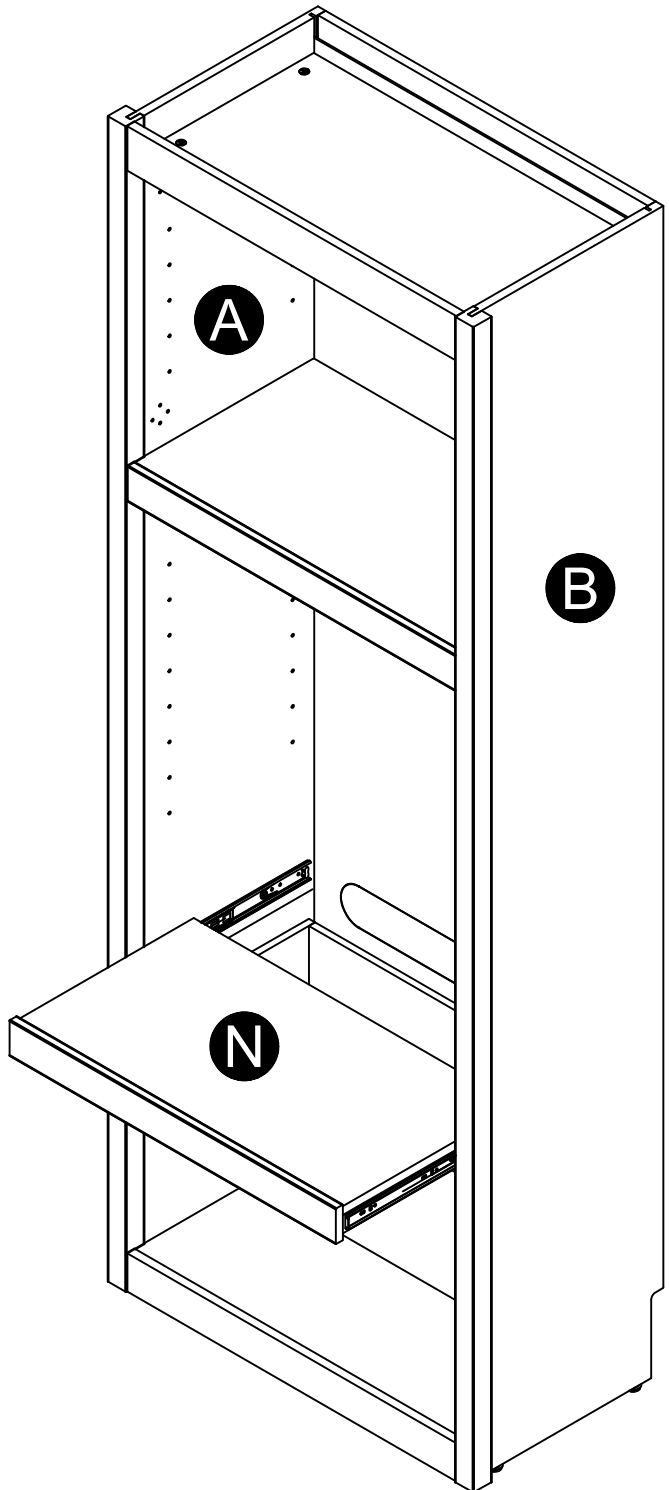
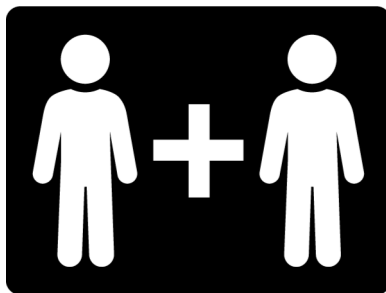


STEP 32



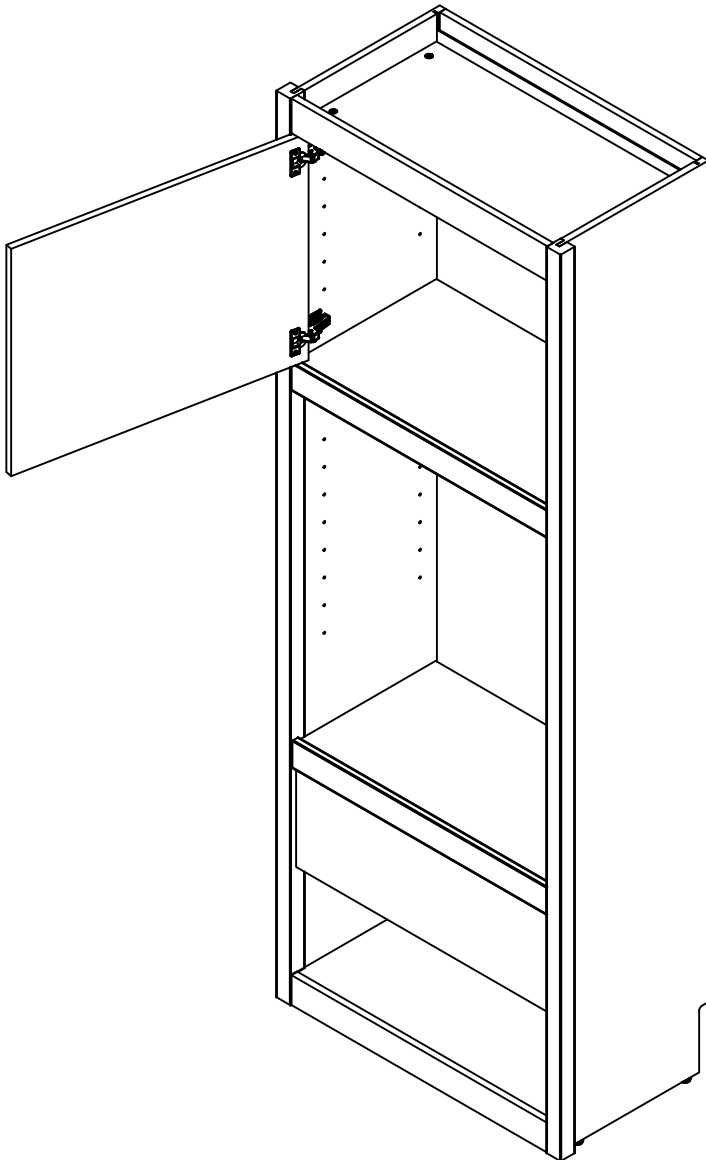
Be sure the carrier of the slide is positioned all the way to the front of the slide before you install the pullout shelf.

You will need to push forcefully onto the assembly to fully engage the slides

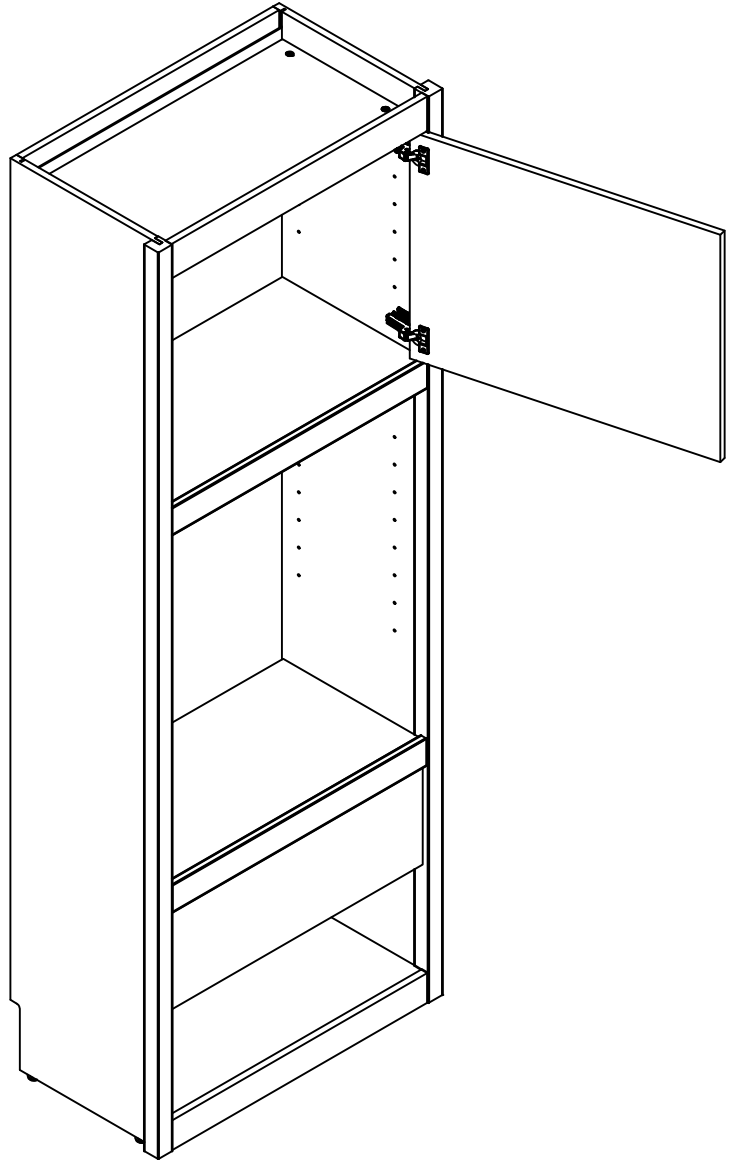


Door Options...

You may choose which way you want the door to open.

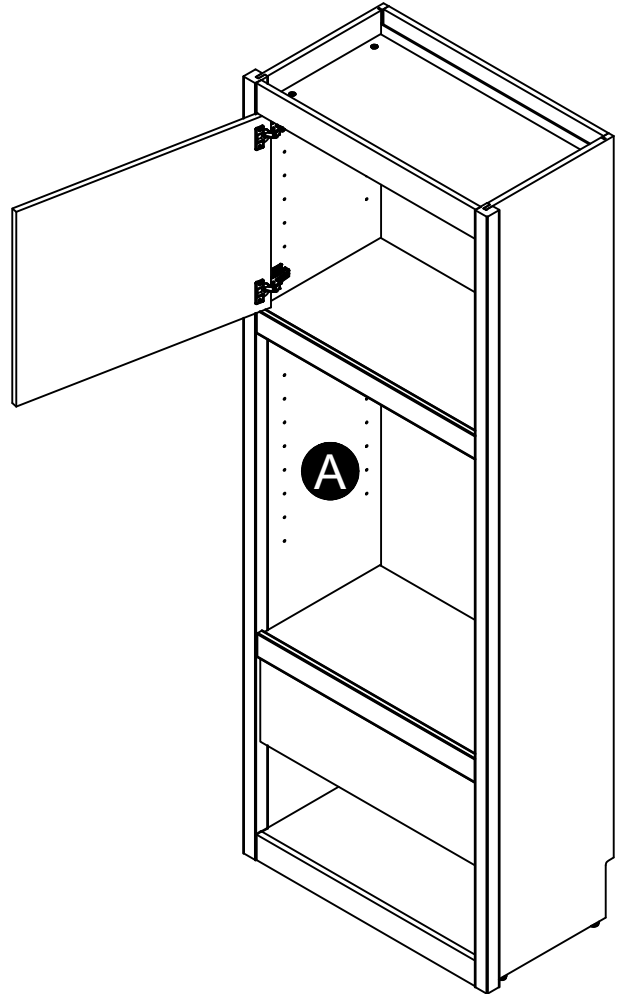
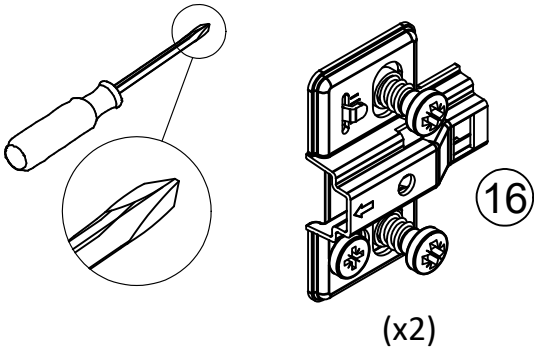


Open to the left

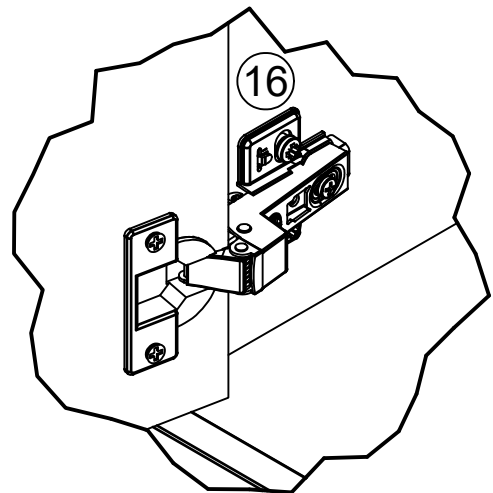
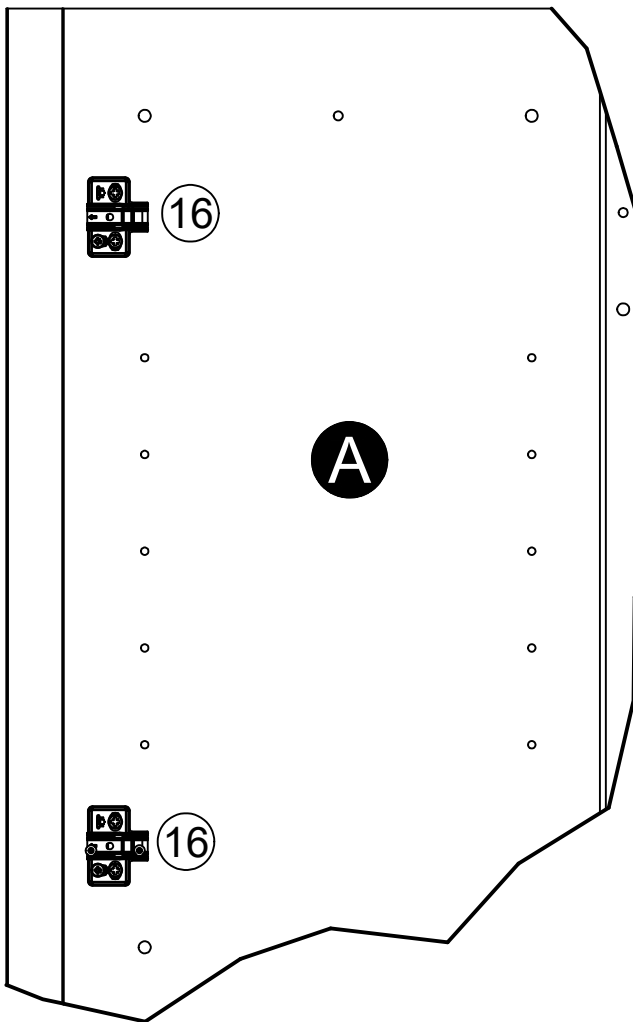


Open to the right

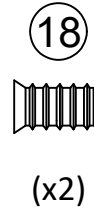
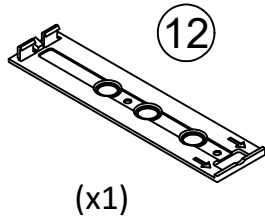
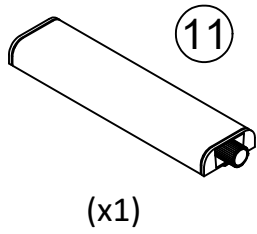
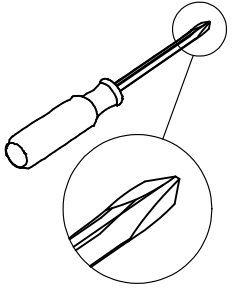
STEP 34



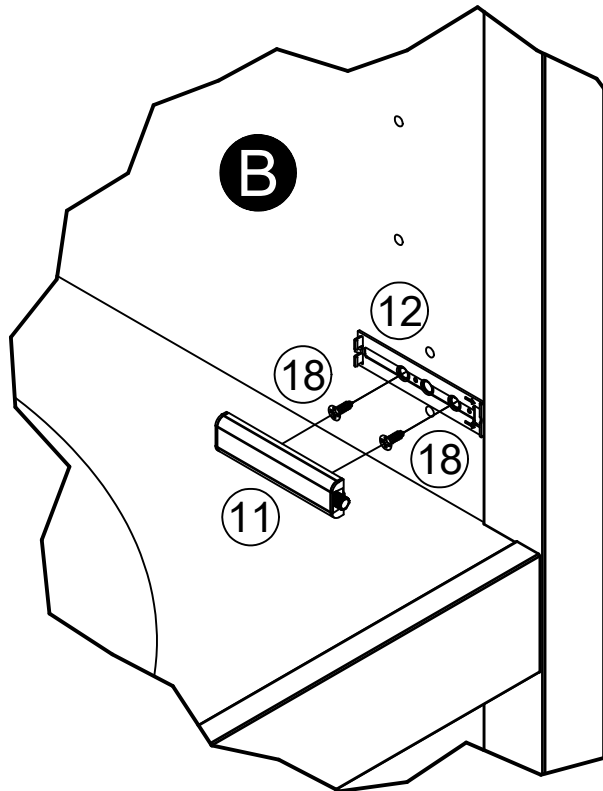
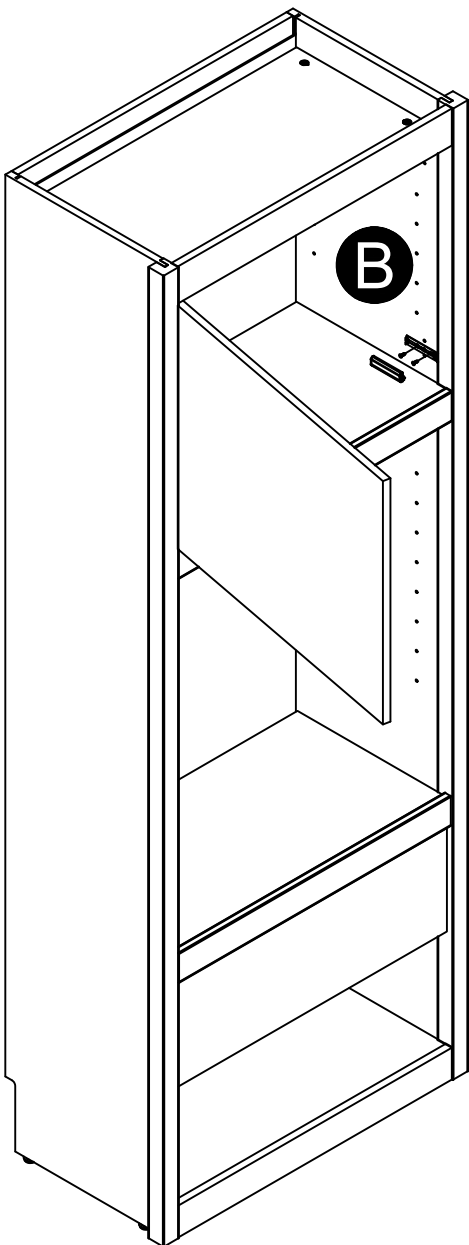
Instructions for door opening to the left...



STEP 35

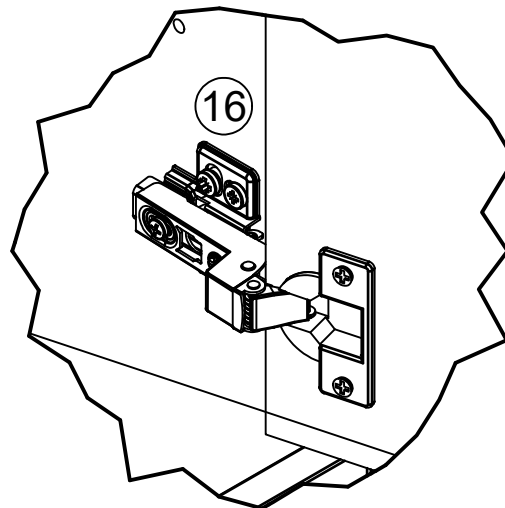
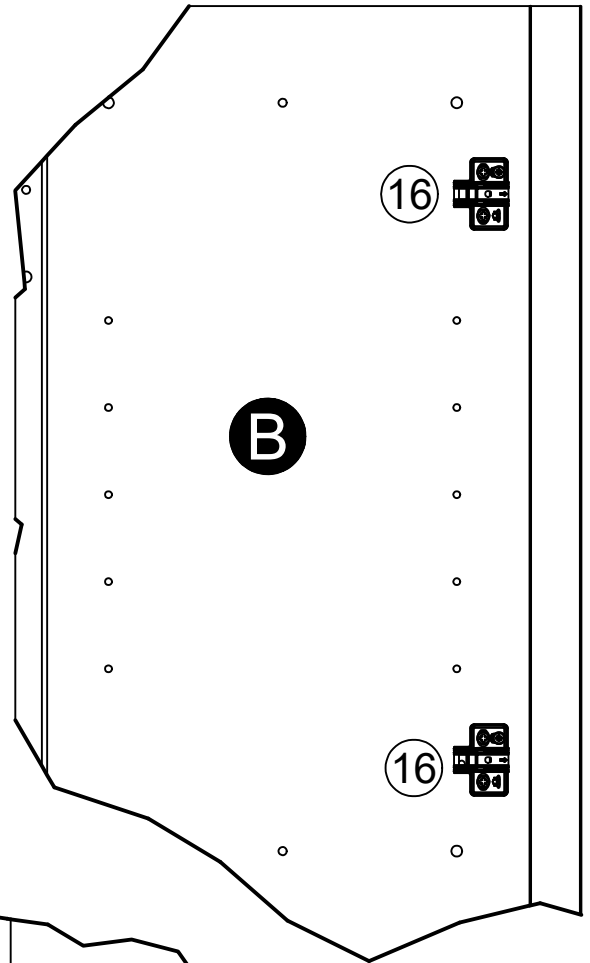
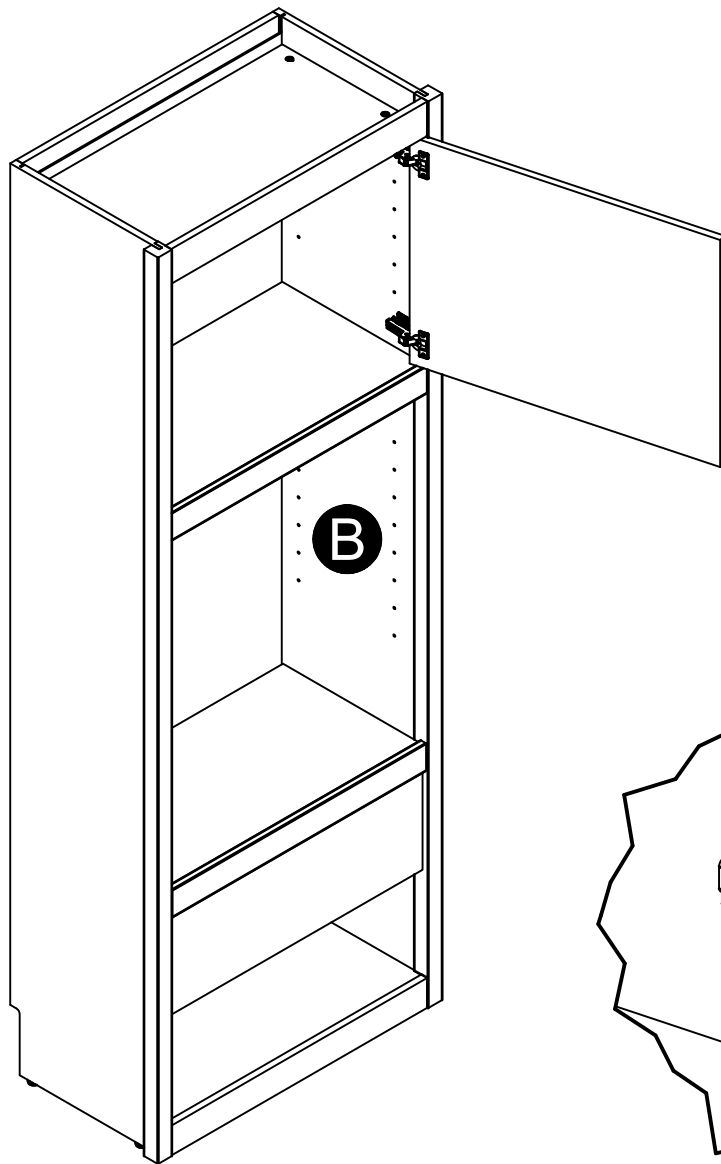
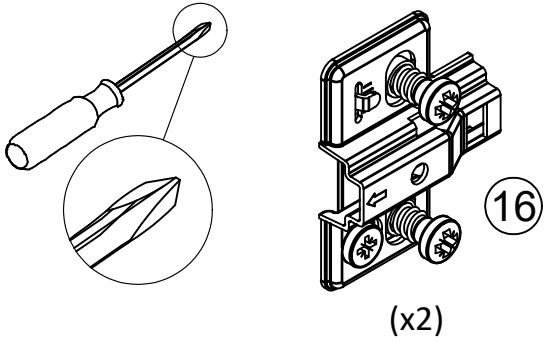


Continued for door opening to the left...

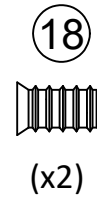
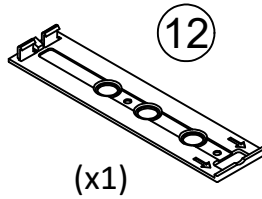
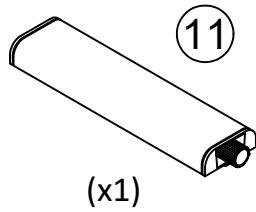
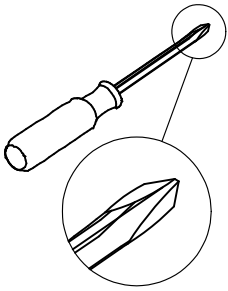


STEP 36

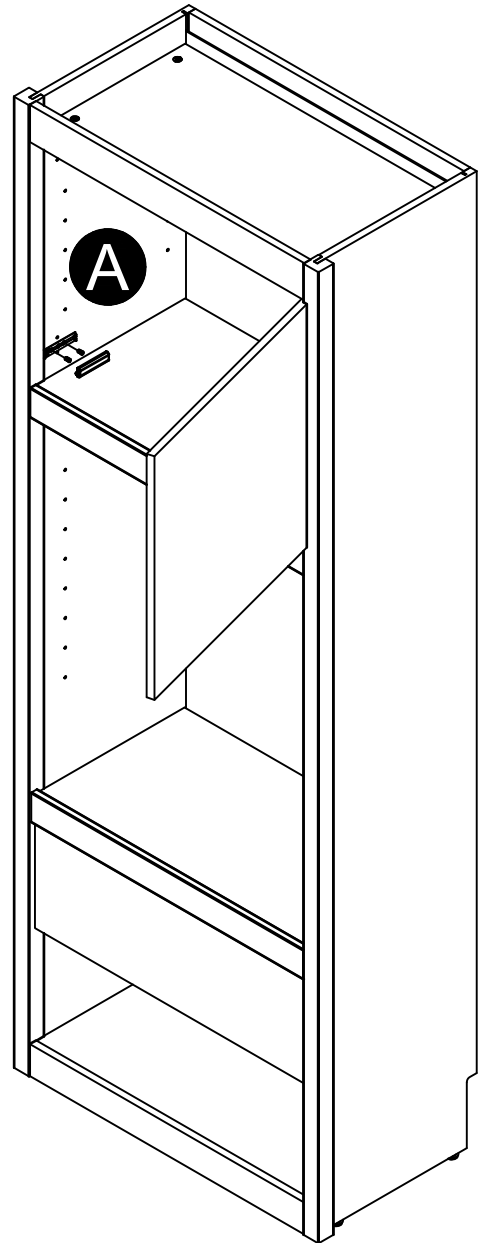
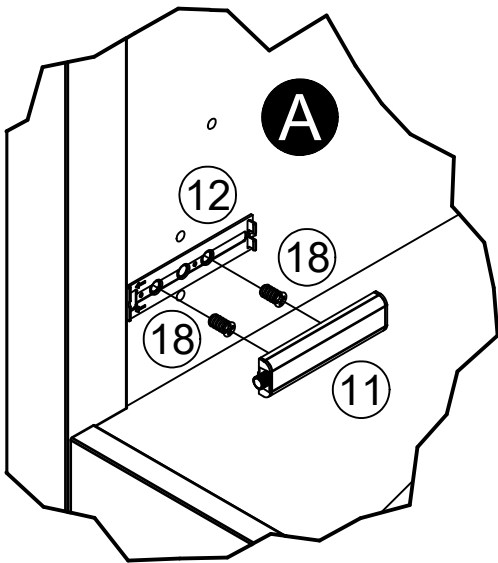
Instructions for door opening to the right...

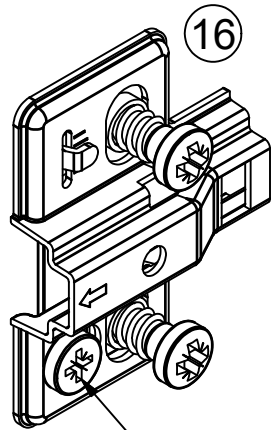
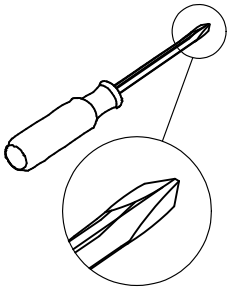


STEP 37

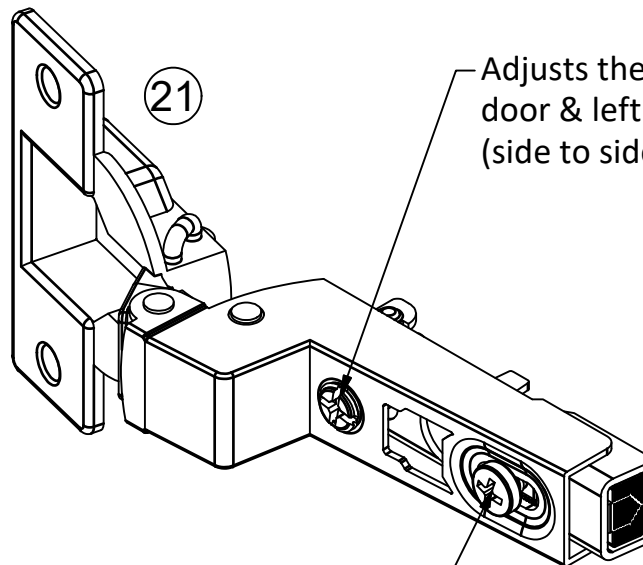


Continued for door opening to the right...





Eccentric adjustment screw - shifts the whole hinge up and down.
(up and down)

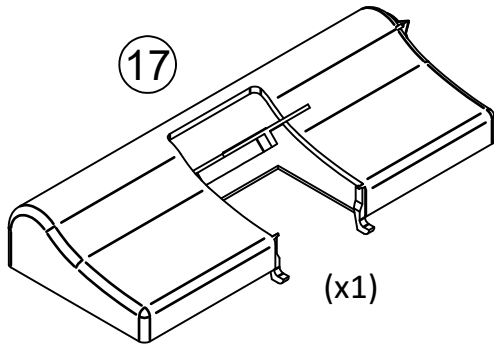


Adjusts the gaps between the door & left & right assemblies (A & B)
(side to side)

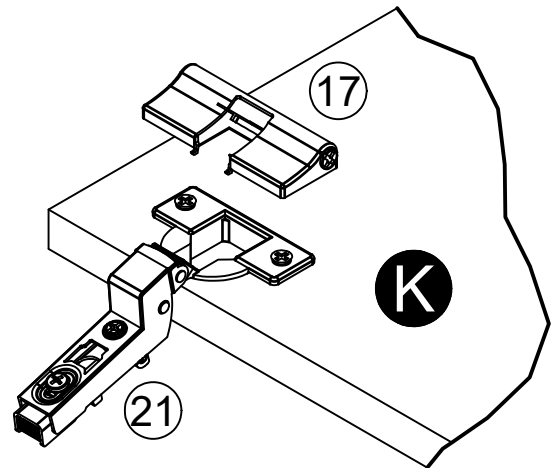
Adjusts the gap between the face of the door and the face of the vertical molding on the left & right assemblies when in the closed position.
(front to back)

STEP 38

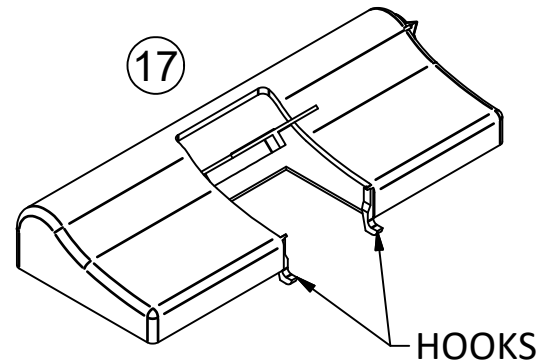
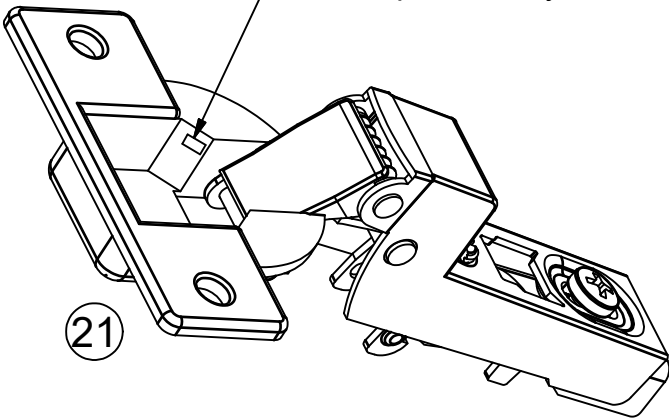
This step is optional...



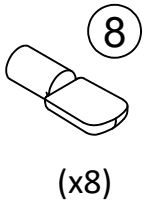
Place glissando soft close (17) on the lower hinge of the Door (K).



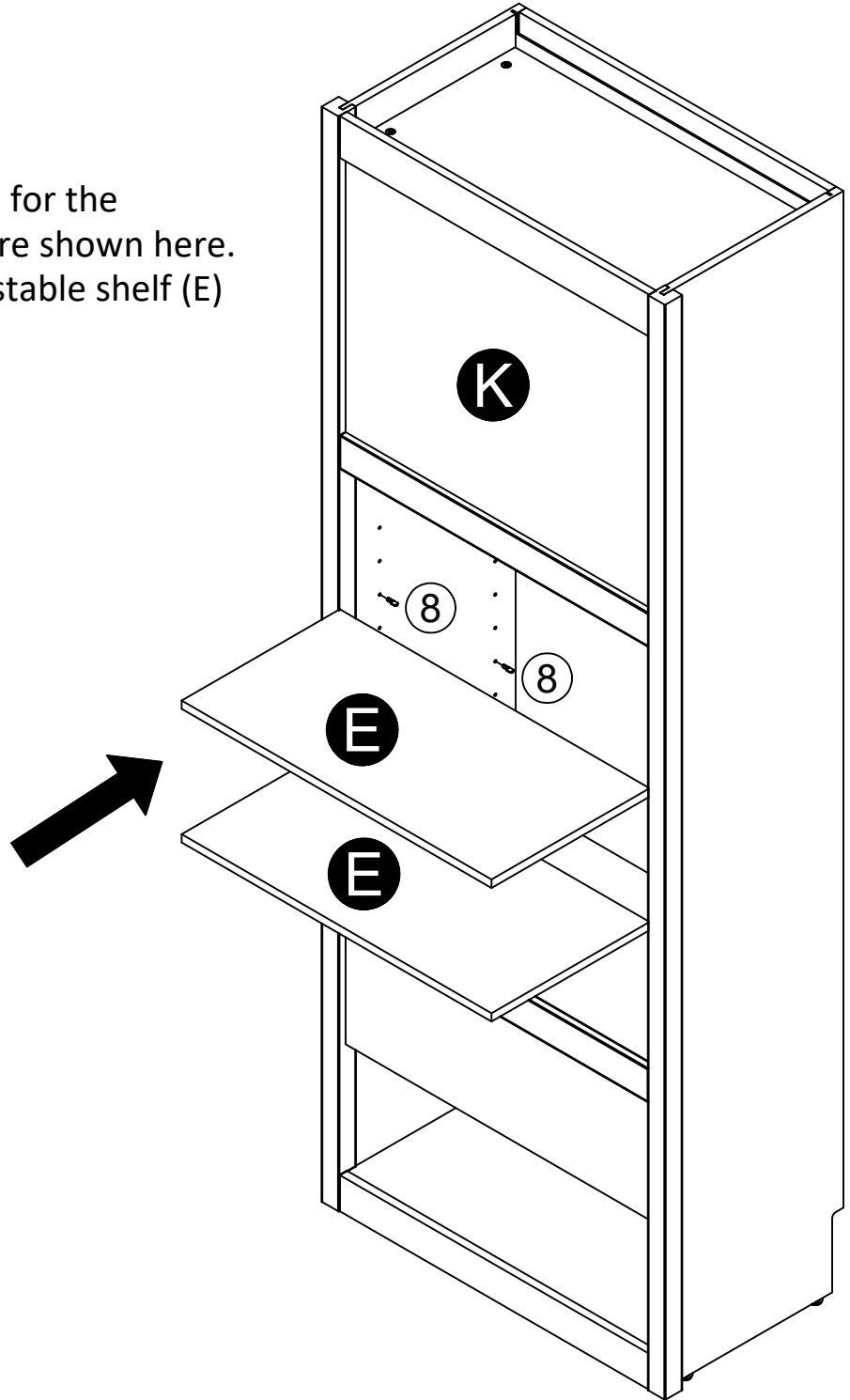
Insert hooks of glissando into these holes on the cup of the hinge on both sides, then press firmly to lock in place.



STEP 39

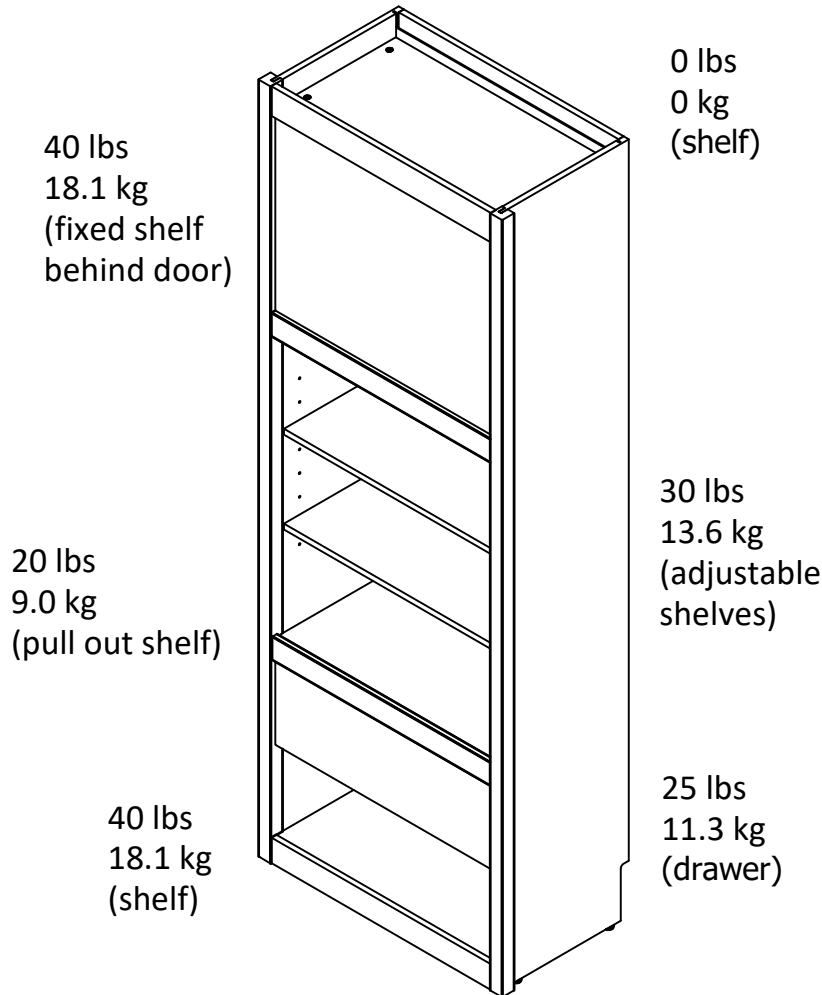


There are 3 desired locations for the adjustable shelves (E). Two are shown here. You may also place one adjustable shelf (E) behind the door (K).



Maximum Loads

This unit has been designed to support the maximum loads shown. Exceeding these load limits could cause sagging, instability, product collapse, and/or serious injury.



Warning: Risk of injury to persons - do not place a television on this furniture. This furniture is not approved for use with a television.

Certificate of Conformity

1. This certificate applies to the Dorel Home Furnishings, Inc. product identified by this instruction manual.
2. This certificate applies to compliance of this product with the CPSC Ban on Lead-Containing Paint (16 CFR 1303).
3. This product is distributed by: Dorel Home Furnishings, Inc.
410 East First Street South
Wright City, MO 63390
636-745-3351
4. Site of Manufacture: Cornwall, ON
5. See front page of instruction manual for date of manufacture.

Register your product to receive the following:



- * New trend details - sneak peek on what's new
- * Surveys - have a voice within our community
- * Exclusive deals and discount codes
- * Quick and easy replacement part service

To register your product, visit ameriwoodhome.com

5 Star Rating



Visit your local retailer's website, rate your purchased product and leave us some feedback!

We would like to extend a big "Thank You" to all of our customers for taking the time to assemble this Ameriwood Home product, and to give us your valuable feedback.

*Thank
You!*

Cubierta Delantera

Este libro de instrucciones contiene información **IMPORTANTE** de seguridad. Por favor lea y manténgalo para referencia en el futuro.

No Regrese este producto! Comuníquese con nuestro amigable equipo de servicio al cliente para obtener ayuda.

Llámenos al: 1-800-489-3351 (Gratis) Lunes - Viernes 9am - 5pm CST

Visitar: www.ameriwoodhome.com

PRECAUCION

Este mueble puede volcarse y causar graves heridas y/o muerte.

Anclar el mueble a un poste de madera en la pared (si esto se requiere).

No Permita que los niños monten el mueble.

Consejos Útiles (página 2)

- Abra su artículo en el área donde usted planea utilizarlo para evitar levantar y moverlo menos
- Identificar, ordenar y contar las piezas antes de intentar ensamblar
- Las clavijas de compresión se golpean con un martillo
- Las diapositivas están marcadas con una R (derecha) y L (izquierda) para la colocación correcta
- Asegúrese de que siempre este el punto localizado en la parte superior de bloqueador de leva este volteado hacia borde exterior
- Utilizar todos los clavos para el panel de atrás y distribuirlos por igual
- El panel de atrás debe utilizarse para asegurarse de que la unidad quede fija y firme
- No use químicas fuertes ni limpiadores abrasivos en este artículo
- Nunca empuje, tire ni arrastre los muebles

Antes de Que Empieces (página 3)

- Lea cuidadosamente cada paso y siga el orden correcto
- Separar y contar todas sus piezas y hardware
- Dése suficiente espacio para el proceso de ensamble
- Tenga las siguientes herramientas: destornillador de cabeza plana, #2 cabeza Phillips
Destornillador y martillo
- Precaución: Si usa un taladro electrónico o un destornillador eléctrico para atornillar, por favor asegúrese que deje de atornillar cuando el tornillo este apretado. Fallar hacer esto puede causar barrer el tornillo.

Sistema de fijar el bloqueo de leva (página 3)

Este sistema de fijar el bloqueo de leva sera usado en todo el proceso ensamble.

Página 5

Esta pieza es de cartón. No está hecha de madera, pero es necesaria para el montaje de la unidad.

Página 14

Desmontaje de correderas (A56100)

Para montaje del cajón

Extienda la corredera como se muestra. Presione la palanca de apertura y retire la corredera interior. Tenga un trapo a mano, ya que puede haber grasa en las piezas internas.

Utilice estos orificios para fijar los montajes izquierdo y derecho (A y B)

Utilice estos orificios para fijar los laterales izquierdo y derecho del cajón

Página 15

Desmontaje de correderas (A56540)

Para montaje de la placa extraíble

Extienda cada corredera como se muestra. Presione la palanca negra hacia arriba y separe las dos piezas de la corredera.

Este lado exterior se unirá a los montajes izquierdo y derecho (A y B)

Utilice estos tres orificios para acoplar la corredera.

Esta corredera interior se acoplará al riel extraíble izquierdo y derecho.

Utilice estos tres orificios para acoplar la corredera interior.

Página 16, 17, 18 & 19

Orientación adecuada de la cerradura de leva

Orientación adecuada de la cerradura rápida

Superficie intacta

Página 21

Gire en el sentido de las agujas del reloj para juntar ambas piezas

Vista lateral de la ubicación del sujetador

Superficie intacta

Página 22

Gire en el sentido de las agujas del reloj para juntar ambas piezas

Vista lateral de la ubicación de la cenefa

Superficie intacta

Página 23

Gire en el sentido de las agujas del reloj para juntar ambas piezas

Vista lateral de la ubicación de la moldura

Página 28

Pequeños orificios ubicados aquí

Página 32

Coloque la unidad de frente...

Deslice el panel posterior por las ranuras de los montajes izquierdo y derecho (A y B).

Asegúrese de que el panel posterior esté alineado con los orificios del riel posterior (H).

Página 34

Golpee los bujes (14) con un martillo.
Atornille los deslizadores (13) totalmente.

Página 35

Los siguientes pasos son montar su unidad en la pared.
La unidad ensamblada DEBE estar a escuadra en altura, ancho y profundidad para funcionar correctamente
La unidad ensamblada DEBE colocarse plana contra la pared
La unidad debe atornillarse a los montantes por seguridad
NO use anclajes de pared para sujetar su unidad a la pared
Para mampostería, hormigón u otros materiales de pared: consulte con su ferretería local para obtener los anclajes adecuados para sujetar firmemente su unidad a la pared.

Página 36

Coloque su unidad al ras contra la pared
Hay muescas en la parte posterior de su unidad.
Estas muescas deben encajar alrededor del zócalo de la pared.
Si su zócalo es más alto o más grueso que las muescas provistas en la unidad, deberá quitar el zócalo, cortarlo para que quepa en ambos lados de su unidad y luego volver a fijarlo a la pared.

Página 37

La unidad DEBE quedar precisa en altura, ancho y profundidad para que funcione correctamente.
Se requerirá una escalera
No se apoye contra la parte superior de la unidad, puede causar flacidez
Si es necesario, desatornille los deslizadores en sentido antihorario según sea necesario en las cuatro esquinas hasta que su unidad esté nivelada en todas las direcciones.

Página 38

Ubique los montantes en la pared con un detector de vigas. Con un lápiz, marque las ubicaciones de los montantes en la superficie superior del panel posterior superior (J), por encima de la placa (C) y en el travesaño inferior (I). Ubique el travesaño inferior (I) detrás del panel posterior.
Debe ubicar 2 montantes (2 marcas en la parte superior y 2 en la parte inferior).
Se requerirá una escalera
No se apoye contra la parte superior de la unidad, puede causar flacidez

Página 39

Primero, asegúrese de que su unidad aún esté nivelada en todas las direcciones.
Taladre orificios guía de 1/8" (3 mm) en el panel posterior superior (J), y en el panel posterior y el travesaño (I) sobre las marcas del detector de vigas.
Fije la unidad a los montantes con los tornillos (7).
Se requerirá una escalera
No se apoye contra la parte superior de la unidad, puede causar flacidez

Página 44

Orientación adecuada de la cerradura rápida
Gire en el sentido de las agujas del reloj para juntar ambas piezas

Página 47

Montado en los montajes izquierdo y derecho (A y B)
Soporte
Montado en los laterales del cajón (asegúrese de que encajen totalmente en el soporte)
Deberá presionar con fuerza sobre el montaje para que encajen bien todas la correderas

Página 48

Montado en los montajes izquierdo y derecho (A y B)
Asegúrese de que el soporte de la corredera esté bien ubicado al frente de la corredera antes de instalar los cajones.
Deberá presionar con fuerza sobre el montaje para que encajen bien todas la correderas

Página 49

Opciones de la puerta...
Puede elegir de qué manera quiere que se abra la puerta.
Abierta a la izquierda
Abierta a la derecha

Página 51

Instrucciones para que la puerta se abra a la izquierda...

Página 52

Continuación: para que la puerta se abra a la izquierda...

Página 53

Instrucciones para que la puerta se abra a la derecha...

Página 54

Continuación: para que la puerta se abra a la derecha...

Página 55

Ajustes de la puerta...
Tornillo de ajuste excéntrico: desplaza toda la bisagra hacia arriba y hacia abajo. (Arriba y abajo)
Ajusta los espacios entre la puerta y los montajes izquierdo y derecho (A y B) (De lado a lado)
Ajusta el espacio entre la cara de la puerta y la cara de la moldura vertical en los montajes izquierdo y derecho cuando está en posición cerrada. (Del frente hacia atrás)

Página 56

Este paso es opcional...

Coloque el cierre amortiguador Glissando (17) en la bisagra inferior de la puerta (K).

Inserte los ganchos del Glissando en estos orificios de la cazoleta de la bisagra en ambos lados, luego presione firmemente para ajustarlos en su lugar.

Ganchos

Página 57

Hay 3 ubicaciones recomendadas para las placas ajustables (E). Aquí se muestran dos. También puede colocar una placa ajustable (E) detrás de la puerta (K).

Página 58

CARGA MAXIMA

Esta unidad ha sido diseñada para soportar la carga máxima anotada. El exceder estos límites puede causar inestabilidad, colapsarse y/o causar serias lesiones.

ADVERTENCIA: Riesgo de lesiones a las personas - no coloque un televisor sobre muebles. Este mueble no está aprobado para su uso con un televisor.

Página 59

Registre su producto para recibir lo siguiente:

- * Detalles de nuevas tendencias - Vistazo a lo nuevo
- * Encuestas - alec su voz entre su comunidad
- * Códigos de ofertas y descuentos exclusivos
- * Fácil y rápido servicio de partes de remplace

Para registrar su producto, visite ameriwoodhome.com

Clasificación de 5 estrellas

Visite el sitio web de su tienda local, califique su comprado y denos sus comentarios!

Nos gustaría enviar un gran "Agradecimiento" a todos nuestros clientes por tomarse el tiempo de ensamblar este producto de Ameriwood Home, y por darnos sus valiosos comentarios.

Gracias

Couverture Avant

CE LIVRET D'INSTRUCTION CONTIENT DES INFORMATIONS **IMPORTANTES** SUR LA SÉCURITÉ. VEUILLEZ LIRE ET GARDER POUR UNE RÉFÉRENCE FUTURE

Ne retournez pas ce produit! Contactez notre équipe de service à la clientèle amicale d'abord pour obtenir de l'aide.

Appelez-nous: 1-800-489-3351 (sans frais) du Lundi au Vendredi de 9h à 17h Heure Centrale

Visitez: www.ameriwoodhome.com

ATTENTION

Le meuble peut basculer et causer des blessures graves ou la mort.

Ancrer le meuble à une planche murale dans le mur (si indiqué).

Ne laissez pas les enfants grimper sur le meuble.

Astuces Utiles (page 2)

- Ouvrez votre article dans la zone que vous prévoyez de le garder pour moins de levage lourd
- Identifier, trier et compter les pièces avant d'essayer d'assembler
- Les goujons de compression sont taraudés avec un Marteau
- Les glissières sont marquées d'un R (droit) et d'un L (gauche) pour un bon placement
- Assurez-vous toujours de faire face la pointe situé sur le haut de la Serrure de Came vers le bord extérieur
- Utiliser tous les clous fournis pour le panneau arrière et les répartir également
- Le panneau arrière doit être utilisé pour vous assurer que votre appareil est robuste
- N'utilisez pas de produits chimiques agressifs ou de nettoyeurs abrasifs sur cet appareil
- Ne jamais pousser, tirer, ou faire glisser votre meuble

Avant de Commencer (page 3)

- Lisez attentivement chaque étape et suivez le bon ordre
- Séparez et comptez toutes vos pièces et matériaux
- Donnez-vous suffisamment de place pour l'assemblage
- Avoir les outils suivants: tournevis à tête plate, #2 tournevis Phillips, et Marteau
- Attention: Si vous utilisez une perceuse électrique ou un tournevis électrique pour visser, veillez à ralentir et arrêter lorsque la vis est bien serrée. Le non-respect de cette consigne peut endommager la vis.

Système de Fixation de Came (page 3)

Ce Système de Fixation de Came sera utilisé tout au long de l'assemblage

Page 5

Cette pièce est une construction en carton. Il n'est pas en bois, mais est nécessaire à l'assemblage de votre meuble.

Page 14

Démonter les glissières (A56100)

À assembler au tiroir

Déployez la glissière comme indiqué. Appuyez sur le levier de libération et retirez la glissière intérieure. Gardez un chiffon à portée de main car les parties intérieures de la glissière seront recouvertes de graisse.

Utilisez ces trous pour fixer les assemblages gauche et droit (A et B).

Utilisez ces trous pour fixer les côtés gauche et droit du tiroir.

Page 15

Démonter les glissières (A56540)

À assembler pour faire sortir l'étagère

Déployez chaque glissière comme indiqué. Appuyez sur le levier noir vers le haut et séparez les deux parties de la glissière.

Ce côté extérieur sera fixé aux ensembles gauche et droit (A et B).

Utilisez ces trois trous pour fixer la glissière.

Cette glissière intérieure sera fixée au rail coulissant gauche et droit.

Utilisez ces trois trous pour fixer la glissière intérieure.

Page 16, 17, 18 & 19

Orientation correcte du verrou à came

Orientation correcte du verrouillage rapide

Surface brute

Page 21

Tournez dans le sens des aiguilles d'une montre pour verrouiller les deux parties ensemble

Détail de la vue latérale de l'emplacement du support

Surface brute

Page 22

Tournez dans le sens des aiguilles d'une montre pour verrouiller les deux parties ensemble

Détail de la vue latérale de l'emplacement de la cantonnière

Surface brute

Page 23

Tournez dans le sens des aiguilles d'une montre pour verrouiller les deux parties ensemble

Détail de la vue latérale de l'emplacement du moulage

Page 28

Petits trous situés ici

Page 32

Placez votre unité sur sa face avant...

Faites glisser le panneau arrière dans les rainures des assemblages gauche et droit (A et B).

Veillez à ce que le panneau arrière soit aligné avec les trous du rail arrière (H).

Page 34

Taper sur les douilles (14) avec un marteau.
Visser les patins (13) à fond.

Page 35

Les prochaines étapes consistent à assembler votre appareil au mur
L'unité assemblée DOIT être d'équerre sur la hauteur, la largeur et la profondeur pour fonctionner correctement
L'unité assemblée DOIT être placée à plat contre le mur
L'unité assemblée doit être vissée dans les montants du mur pour plus de sécurité.
N'UTILISEZ PAS d'ancrages muraux pour fixer votre appareil au mur
Pour la maçonnerie, le béton ou d'autres matériaux de mur: Consultez votre quincaillerie locale pour les ancrages appropriés pour fixer solidement votre unité au mur.

Page 36

Placez votre appareil contre le mur
Il y a des encoches à l'arrière de votre appareil.
Ces encoches doivent s'adapter autour de la plinthe sur votre mur.
Si votre plinthe est plus haute ou plus épaisse que les encoches fournies sur l'unité, vous devrez retirer la plinthe, la couper pour qu'elle s'adapte des deux côtés de votre unité, puis la remettre au mur.

Page 37

L'unité assemblée DOIT être d'équerre en hauteur, en largeur et en profondeur pour fonctionner correctement.
Une échelle sera nécessaire Ne vous appuyez pas contre le dessus de l'appareil, cela pourrait provoquer un affaissement
Si nécessaire, dévissez les sous-pattes dans le sens antihoraire si nécessaire dans les 4 coins jusqu'à ce que votre appareil soit de niveau dans toutes les directions

Page 38

Repérer les montants du mur à l'aide d'un détecteur de montants. À l'aide d'un crayon, marquez l'emplacement des montants sur la surface supérieure du panneau arrière supérieur (J) au-dessus de la tablette (C) et sur le longeron inférieur (I). Placez la traverse inférieure (I) derrière le panneau arrière.
Vous devez localiser 2 goujons (2 marques en haut et 2 marques en bas).
Une échelle sera nécessaire Ne vous appuyez pas contre le dessus de l'appareil, cela pourrait provoquer un affaissement

Page 39

Tout d'abord, assurez-vous que votre appareil est toujours de niveau dans toutes les directions.
Percez des avant-trous de 3 mm (1/8 pouce) à travers le panneau arrière supérieur (J) et à travers le panneau arrière et le limon (I) aux points de repère des montants. Fixez l'unité aux montants du mur à l'aide des vis (7).
Une échelle sera nécessaire Ne vous appuyez pas contre le dessus de l'appareil, cela pourrait provoquer un affaissement

Page 44

Orientation correcte du verrouillage rapide

Tournez dans le sens des aiguilles d'une montre pour verrouiller les deux parties ensemble

Page 47

Assemblé aux assemblages gauche et droit (A et B)

Transporteur

Assemblé sur les côtés du tiroir (assurez-vous d'engager complètement dans le support)

Vous devrez pousser avec force sur l'assemblage pour engager complètement les glissières

Page 48

Assemblé aux assemblages gauche et droit (A et B)

Assurez-vous que le support de la glissière est positionné complètement à l'avant de la glissière avant d'installer les tiroirs.

Vous devrez pousser avec force sur l'assemblage pour engager complètement les glissières

Page 49

Options de porte...

Vous pouvez choisir dans quel sens vous voulez que la porte s'ouvre.

Ouvert à gauche

Ouvert à droite

Page 51

Instructions pour l'ouverture de la porte à gauche...

Page 52

Suite de l'ouverture de la porte à gauche...

Page 53

Instructions pour l'ouverture de la porte à droite...

Page 54

Suite de l'ouverture de la porte à droite...

Page 55

Réglages de la porte...

Vis de réglage excentrique -- déplace l'ensemble de la charnière de haut en bas. (De haut en bas)

Ajuste l'écart entre la porte et les assemblages gauche et droit (A et B) (d'un côté à l'autre).

Règle l'espace entre la face de la porte et la face de la moulure verticale sur les ensembles gauche et droit en position fermée. (De l'avant à l'arrière)

Page 56

Cette étape est facultative...

Placez le glissando soft close (17) sur la charnière inférieure de la porte (K).

Insérez les crochets du glissando dans ces trous sur la coupe de la charnière des deux côtés, puis appuyez fermement pour verrouiller en place.

Crochets

Page 57

Il y a 3 emplacements souhaités pour les étagères réglables (E). Deux sont illustrés ici. Vous pouvez également placer une étagère réglable (E) derrière la porte (K).

Page 58

CHARGES MAXIMALES

Ce meuble a été conçu pour supporter les charges maximales indiquées. En excédant ces limites de charge, le meuble pourrait devenir instable, s'effondrer, et/ou causer des blessures graves.

AVERTISSEMENT : Risque de blessure corporelle - ne pas placer une télévision sur ce meuble. Ce meuble n'est pas approuvé pour une utilisation avec une télévision.

Page 59

Enregistrez votre produit pour recevoir les éléments suivantes:

- * Détails sur les nouvelles tendances - un aperçu sur les nouveautés
- * Sondages - avoir une voix au sein de notre communauté
- * Offres exclusives et codes promo
- * Service de pièces de rechange rapide et facile

Pour enregistrer votre produit, visitez ameriwoodhome.com

5 Étoiles

Visitez le site Web de votre détaillant local, évaluez votre produit acheté et laissez-nous quelques commentaires !

Nous tenons à offrir un grand "Merci" à tous nos clients pour avoir pris le temps d'assembler ce produit "Ameriwood Home", et de nous donner vos commentaires précieux.

Merci