

- 8368220COM (Raven Oak)
- 8368222COM (Columbia Walnut)
- 8368335COM (Nightfall Oak)
- 8368340COM (Andover Oak)
- 8368341COM (Magnolia Oak)
- 8368344COM (Silverton Oak)
- 8368356COM (Monterey Oak)



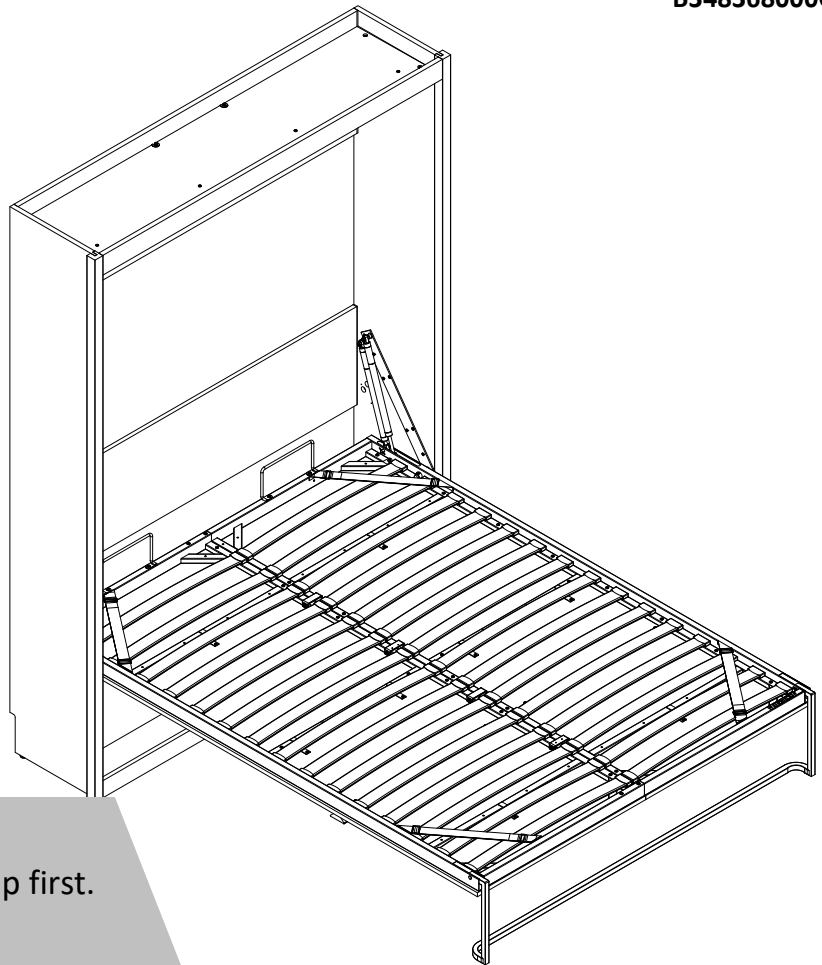
## Wall Bed

Date of Purchase \_\_\_ / \_\_\_ / \_\_\_  
 Lot Number:

B348368000COM3

**WARNING:**

\* **WARNING FOR YOUNG CHILDREN** - This product contains small components, please ensure that they are kept away from small children. Children under the age of 6, small infants and babies must not sleep on this bed for safety reasons. To prevent injury and damage to this unit, PROHIBIT jumping on it.  
 \* This product is designed for home use and not intended for commercial use.



**Do Not Return This Product!**

Contact our customer service team for help first.

**Call:** 1-800-489-3351 (toll free)

**Visit:** [www.ameriwoodhome.com](http://www.ameriwoodhome.com)

THIS INSTRUCTION BOOKLET CONTAINS **IMPORTANT** SAFETY INFORMATION. PLEASE READ AND KEEP FOR FUTURE REFERENCE.

**Professional installation is required for this unit.**



## WARNING

- Unit can tip over causing severe injury or death.
- Anchor unit to studs in wall (if instructed to).
- Do Not allow children to climb on unit.



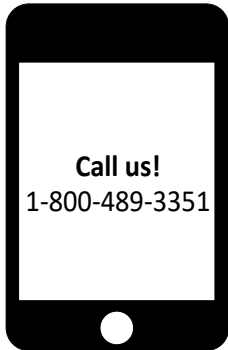
Follow Ameriwood Home



# Contact Us!

## Do NOT return this product!

Contact our friendly customer service team first for help.



Visit [ameriwoodhome.com](http://ameriwoodhome.com) to view the limited warranty valid in the U.S. and Canada.

Assembly Tips



# Helpful Hints

## PEOPLE NEEDED FOR ASSEMBLY: 2

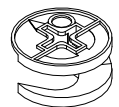
- Open your item in the area you plan to keep it to avoid excessive heavy lifting.



- Identify, sort and count the parts before attempting assembly.



- Make sure to always face the point on the top of the Cam Lock towards the outer edge.

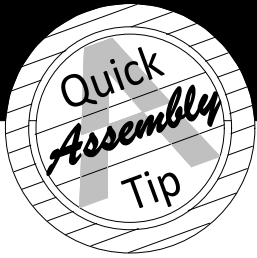


- Do NOT use harsh chemicals or abrasive cleaners on this item.



- Never push, pull, or drag your furniture.



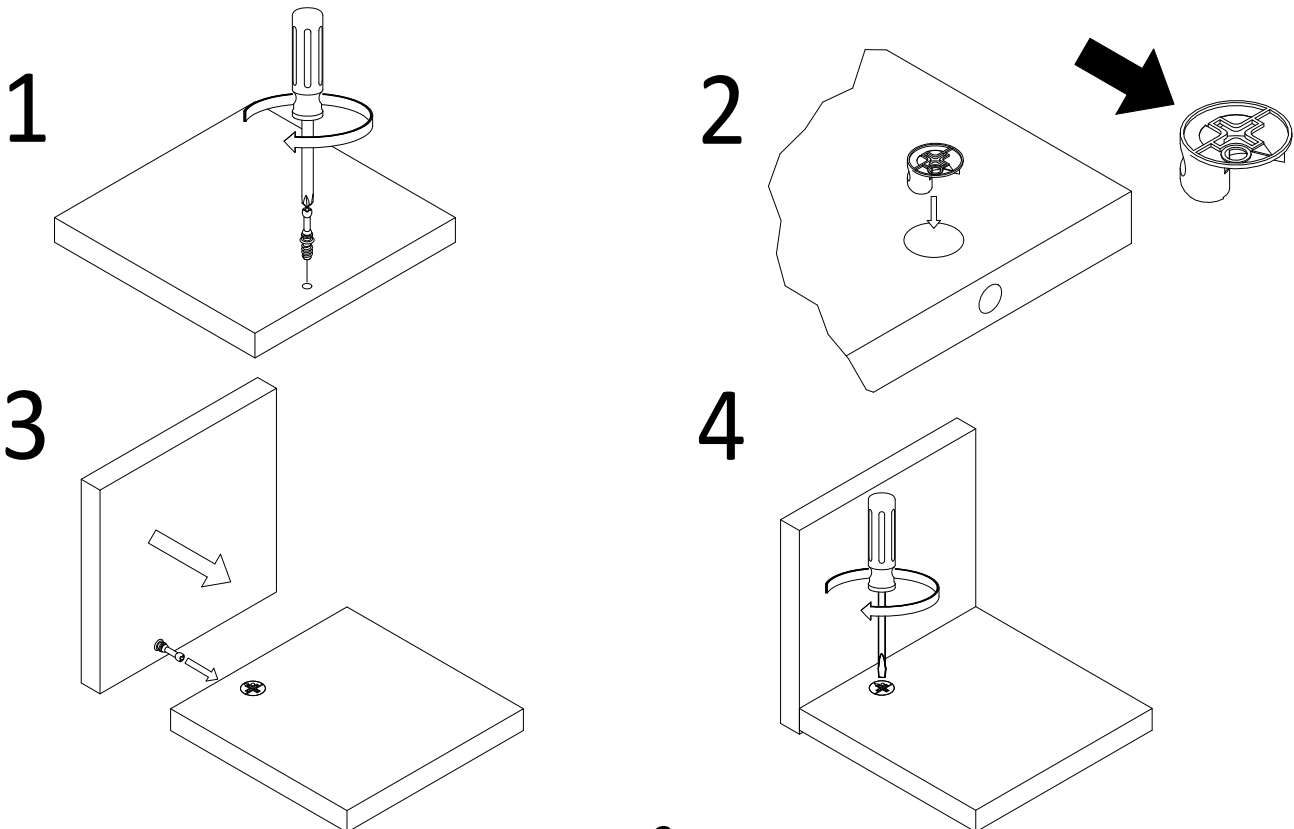


# Before You Start

- ✓ Read through each step carefully and follow the proper order
- ✓ Separate and count all your parts and hardware
- ✓ Give yourself enough room for the assembly process
- ✓ Have the following tools: #2 Phillips Head Screwdriver, Hammer, Level, Stud Finder, Pencil, Drill with 1/8" and 1/4" bits.
- ✓ Caution: If using a power drill or power screwdriver for screwing, please be aware to slow down and stop when screw is tight. Failure to do so may result in stripping the screw.

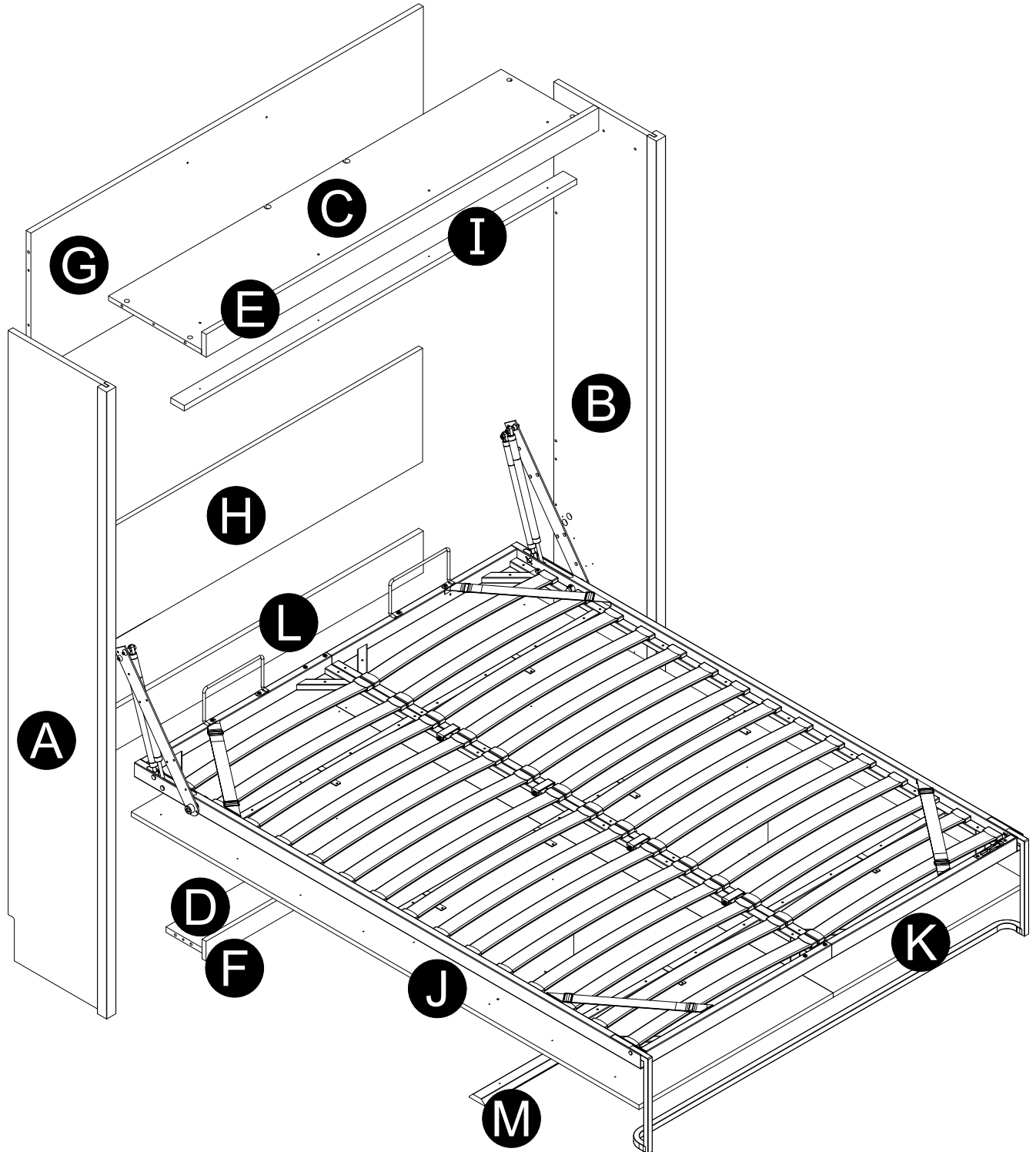
# Cam Lock Fastening System

This Cam Lock Fastening System will be used throughout the assembly process.



# Board Identification

Not actual size



# Board Identification

## parts for 8368220COM (Raven Oak)

Parts List			
ITEM	QTY	PART NUMBER	DESCRIPTION
A	1	38368220010	LEFT PANEL
B	1	38368220020	RIGHT PANEL
C	1	38368220031	TOP
D	1	38368220041	BOTTOM
E	1	38368220051	VALANCE
F	1	38368220061	KICK
G	1	38368220071	UPPER BACK PANEL
H	1	38368220081	LOWER BACK PANEL
I	1	38368220091	STOP RAIL
J	1	38368220100	LEFT DOOR PANEL
K	1	38368220110	RIGHT DOOR PANEL
L	1	38368220121	BOTTOM STRINGER
M	2	38368220130	HANDLE MOLDING

## parts for 8368222COM (Columbia Walnut)

Parts List			
ITEM	QTY	PART NUMBER	DESCRIPTION
A	1	38368222010	LEFT PANEL
B	1	38368222020	RIGHT PANEL
C	1	38368222031	TOP
D	1	38368222041	BOTTOM
E	1	38368222051	VALANCE
F	1	38368222061	KICK
G	1	38368222071	UPPER BACK PANEL
H	1	38368222081	LOWER BACK PANEL
I	1	38368222091	STOP RAIL
J	1	38368222100	LEFT DOOR PANEL
K	1	38368222110	RIGHT DOOR PANEL
L	1	38368222121	BOTTOM STRINGER
M	2	38368222130	HANDLE MOLDING

## parts for 8368335COM (Nightfall Oak)

Parts List			
ITEM	QTY	PART NUMBER	DESCRIPTION
A	1	38368335010	LEFT PANEL
B	1	38368335020	RIGHT PANEL
C	1	38368335031	TOP
D	1	38368335041	BOTTOM
E	1	38368335051	VALANCE
F	1	38368335061	KICK
G	1	38368335071	UPPER BACK PANEL
H	1	38368335081	LOWER BACK PANEL
I	1	38368335091	STOP RAIL
J	1	38368335100	LEFT DOOR PANEL
K	1	38368335110	RIGHT DOOR PANEL
L	1	38368335121	BOTTOM STRINGER
M	2	38368335130	HANDLE MOLDING

## parts for 8368340COM (Andover Oak)

Parts List			
ITEM	QTY	PART NUMBER	DESCRIPTION
A	1	38368340010	LEFT PANEL
B	1	38368340020	RIGHT PANEL
C	1	38368222031	TOP
D	1	38368222041	BOTTOM
E	1	38368222051	VALANCE
F	1	38368222061	KICK
G	1	38368222071	UPPER BACK PANEL
H	1	38368222081	LOWER BACK PANEL
I	1	38368222091	STOP RAIL
J	1	38368222100	LEFT DOOR PANEL
K	1	38368222110	RIGHT DOOR PANEL
L	1	38368222121	BOTTOM STRINGER
M	2	38368222130	HANDLE MOLDING

# Board Identification

## parts for 8368341COM (Magnolia Oak)

Parts List			
ITEM	QTY	PART NUMBER	DESCRIPTION
A	1	38368341010	LEFT PANEL
B	1	38368341020	RIGHT PANEL
C	1	38368222031	TOP
D	1	38368222041	BOTTOM
E	1	38368222051	VALANCE
F	1	38368222061	KICK
G	1	38368222071	UPPER BACK PANEL
H	1	38368222081	LOWER BACK PANEL
I	1	38368222091	STOP RAIL
J	1	38368222100	LEFT DOOR PANEL
K	1	38368222110	RIGHT DOOR PANEL
L	1	38368222121	BOTTOM STRINGER
M	2	38368222130	HANDLE MOLDING

## parts for 8368344COM (Silverton Oak)

Parts List			
ITEM	QTY	PART NUMBER	DESCRIPTION
A	1	38368344010	LEFT PANEL
B	1	38368344020	RIGHT PANEL
C	1	38368344031	TOP
D	1	38368344041	BOTTOM
E	1	38368344051	VALANCE
F	1	38368344061	KICK
G	1	38368344071	UPPER BACK PANEL
H	1	38368344081	LOWER BACK PANEL
I	1	38368344091	STOP RAIL
J	1	38368344100	LEFT DOOR PANEL
K	1	38368344110	RIGHT DOOR PANEL
L	1	38368344121	BOTTOM STRINGER
M	2	38368344130	HANDLE MOLDING

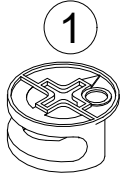
## parts for 8368356COM (Monterey Oak)

Parts List			
ITEM	QTY	PART NUMBER	DESCRIPTION
A	1	38368356010	LEFT PANEL
B	1	38368356020	RIGHT PANEL
C	1	38368356031	TOP
D	1	38368356041	BOTTOM
E	1	38368356051	VALANCE
F	1	38368356061	KICK
G	1	38368356071	UPPER BACK PANEL
H	1	38368356081	LOWER BACK PANEL
I	1	38368356091	STOP RAIL
J	1	38368356100	LEFT DOOR PANEL
K	1	38368356110	RIGHT DOOR PANEL
L	1	38368356121	BOTTOM STRINGER
M	2	38368356130	HANDLE MOLDING

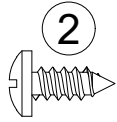
Note that your unit may contain extra hardware

# Part List

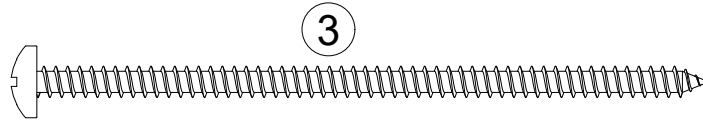
Actual Size



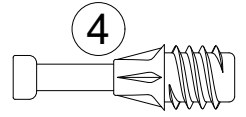
(x22)  
#A22620  
cam lock



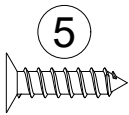
(x16)  
#A12100  
#8x7/16" pan head



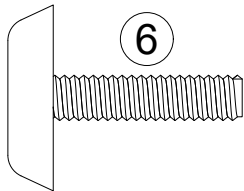
(x8)  
#A13950  
#8x3-1/2" pan head



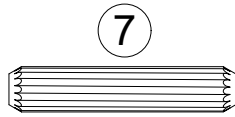
(x22)  
#A22610  
cam bolt



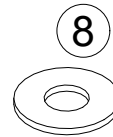
(x16)  
#A12400  
#8x5/8" flat head



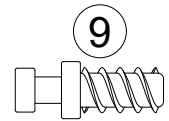
(x4)  
#A43020  
glide



(x14)  
#A21660  
wood dowel



(x8)  
#A25400  
washer

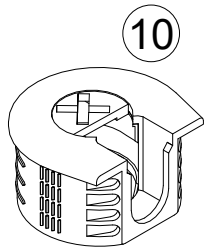


(x14)  
#A22910  
connector bolt

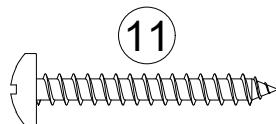
14

ATTENTION / ATENCION / ATTENTION

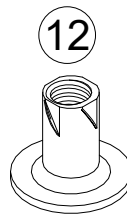
(x1)  
#B64481  
warning label



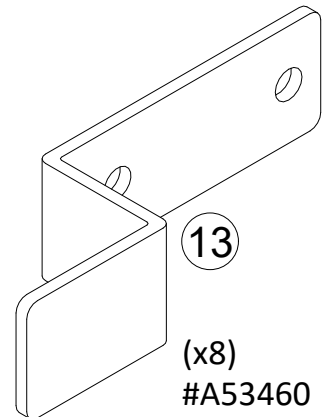
(x14)  
#A22920  
connector



(x52)  
#A13020  
#8x1-1/4" pan head



(x4)  
#A20330  
nut

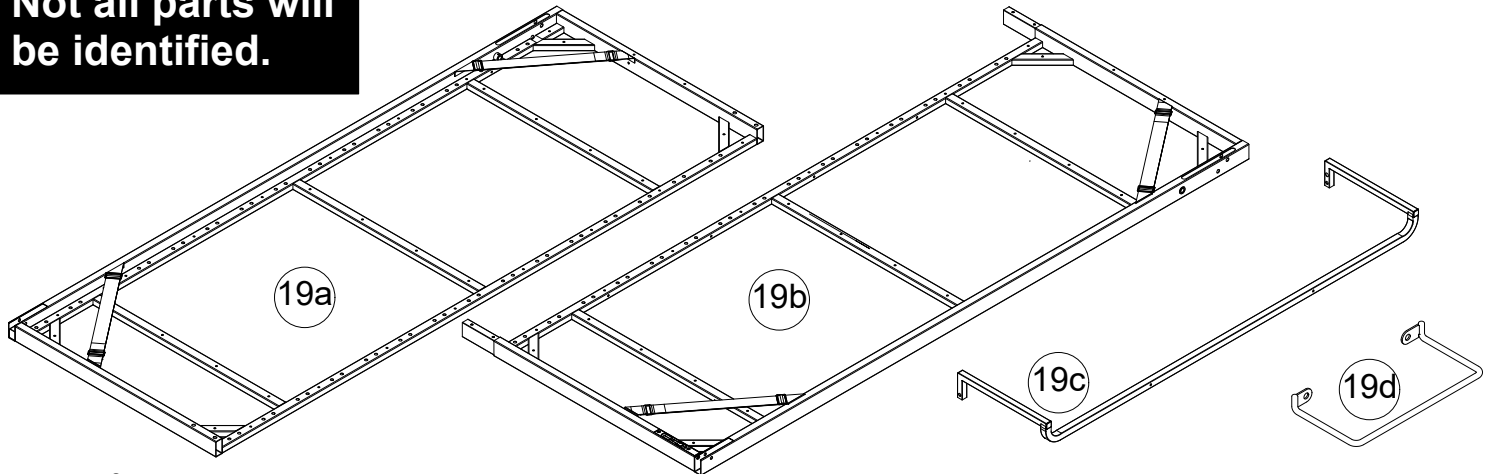


(x8)  
#A53460  
bracket

# Bed Frame Identification

**Note:**  
Not all parts will  
be identified.

Not actual size

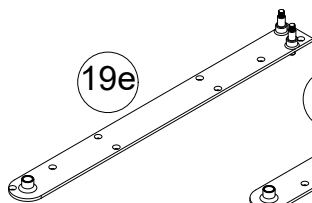


Left Assembly  
9632096-19a

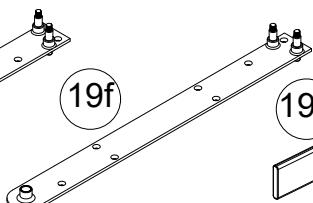
Right Assembly  
9632096-19b

Leg  
9632096-19c

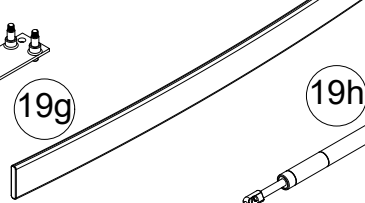
Mattress Holder (2)  
9632096-19d



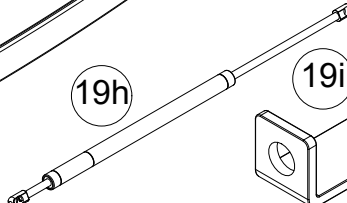
Left Pivot Arm  
9632096-19e



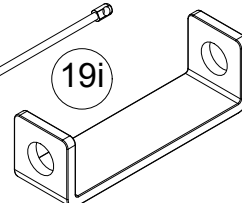
Right Pivot Arm  
9632096-19f



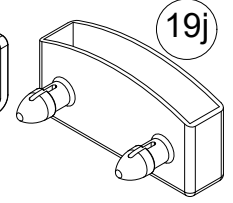
Wood Slats (30)  
9632096-19g



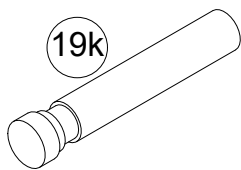
Gas Piston (4)  
9632096-19h



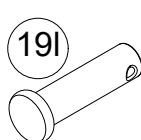
U Bracket (4)  
9632096-19i



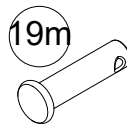
Plastic Cap (60)  
9632096-19j



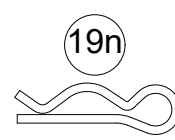
Pivot Pin (2)  
9632096-19k



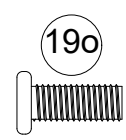
Large Clevis Pin (4)  
9632096-19l



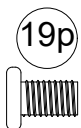
Small Clevis Pin (2)  
9632096-19m



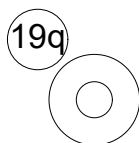
Cotter Pin (6)  
9632096-19n



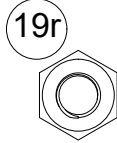
M6 x 16mm Bolt (12)  
9632096-19o



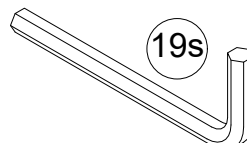
M6 x 10mm Bolt (6)  
9632096-19p



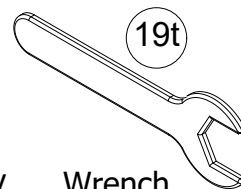
Washer (8)  
9632096-19q



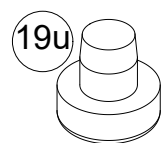
Hex Nut (4)  
9632096-19r



4mm Hex Key  
9632096-19s



Wrench  
9632096-19t



Rubber Foot (3)  
9632096-19u

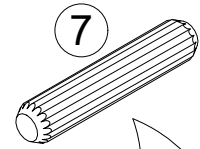
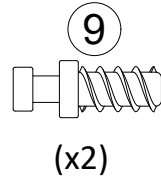
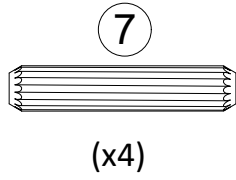


## VERY IMPORTANT INFORMATION!

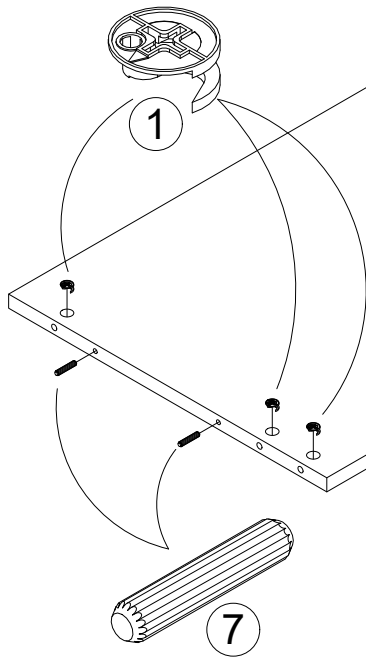


**Caution: Failure to use 2 professionals for this assembly could result in unit damage or personal injury.**

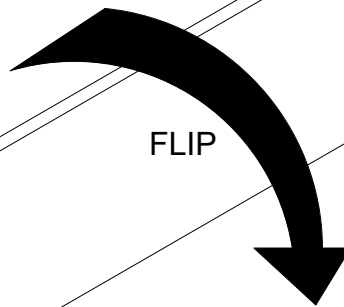
# STEP 1



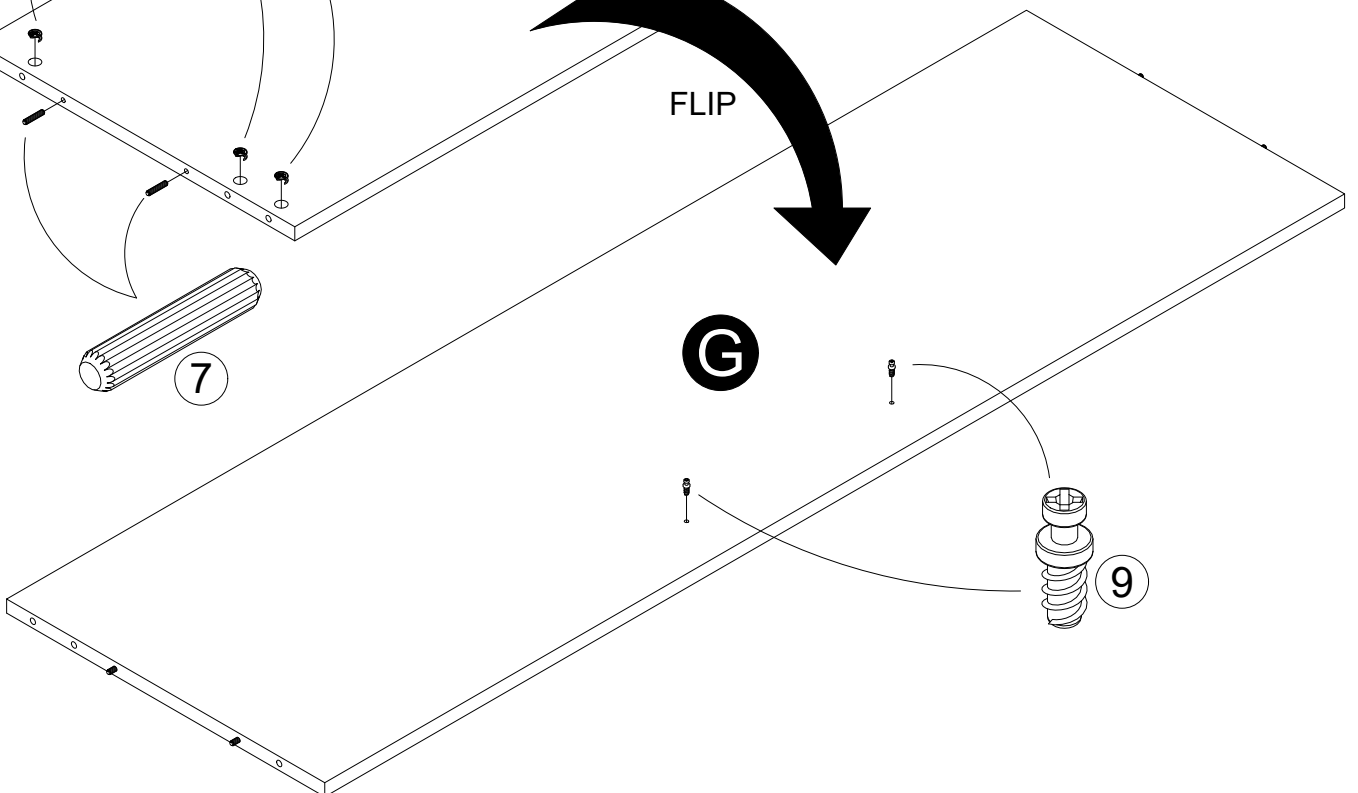
Proper orientation of Cam Lock



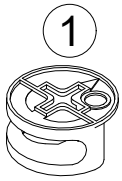
Proper orientation of Cam Lock



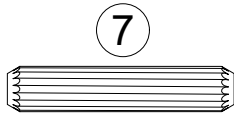
FLIP



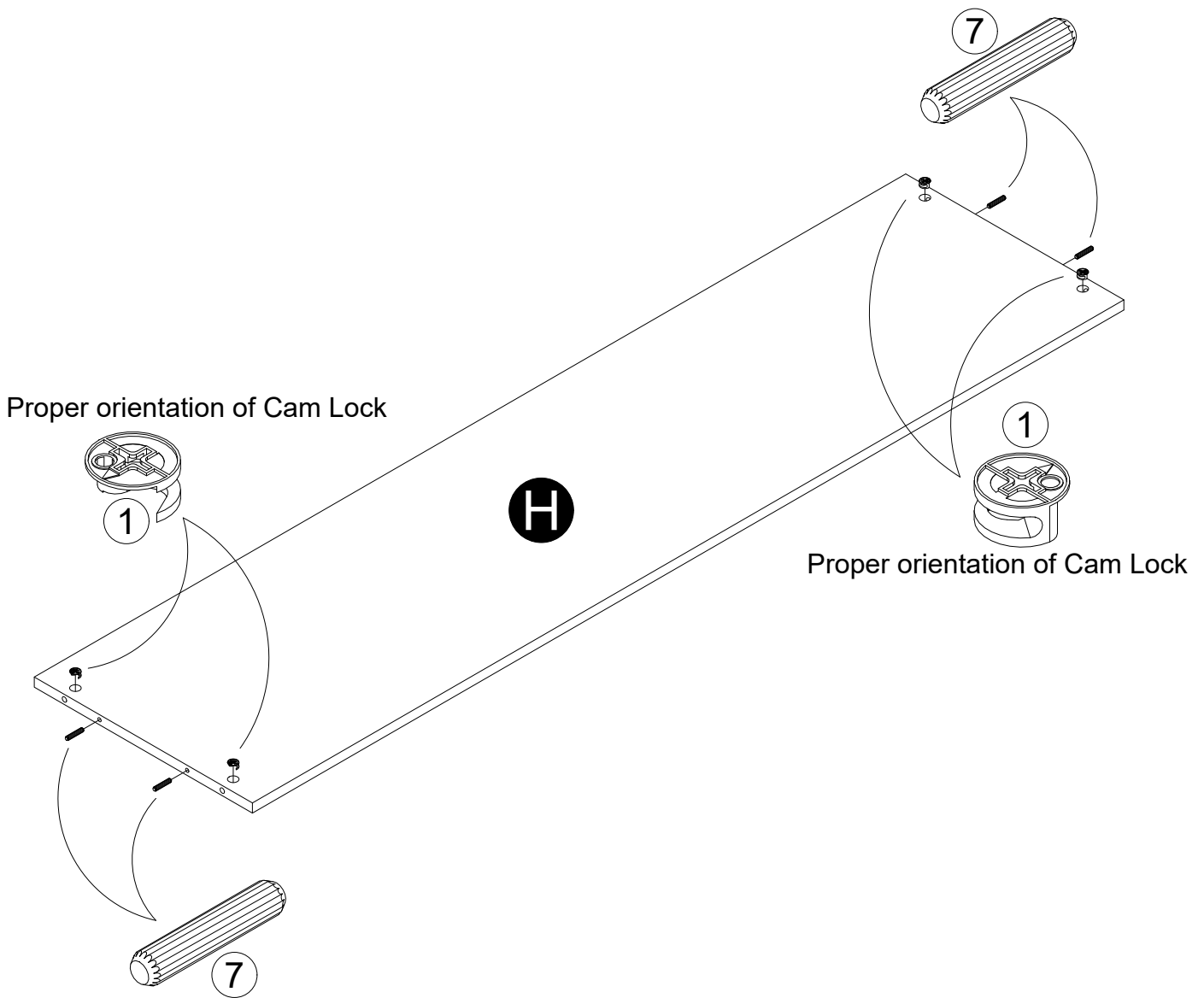
# STEP 2



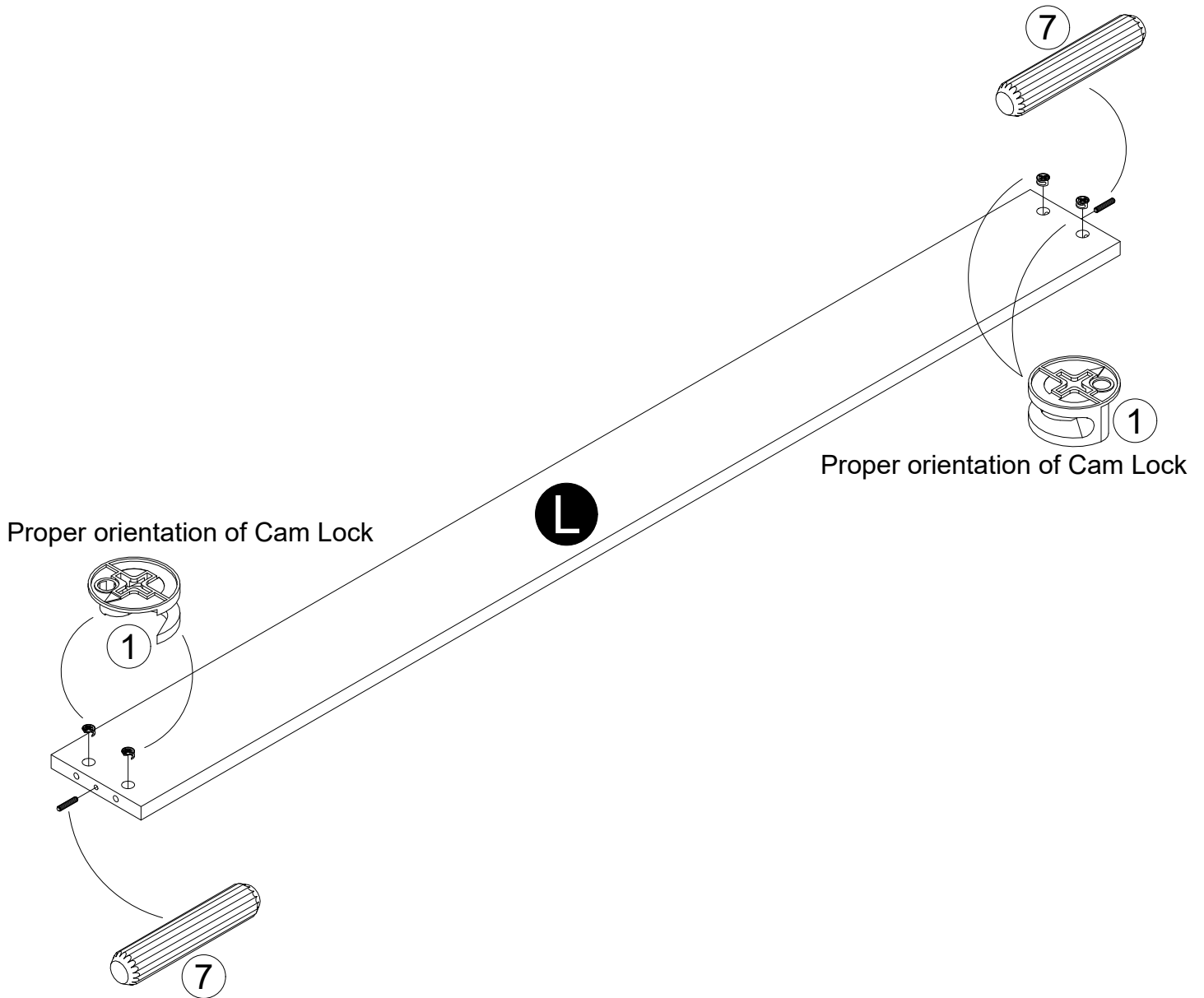
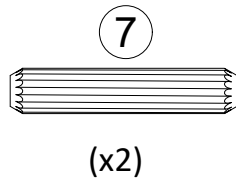
(x4)



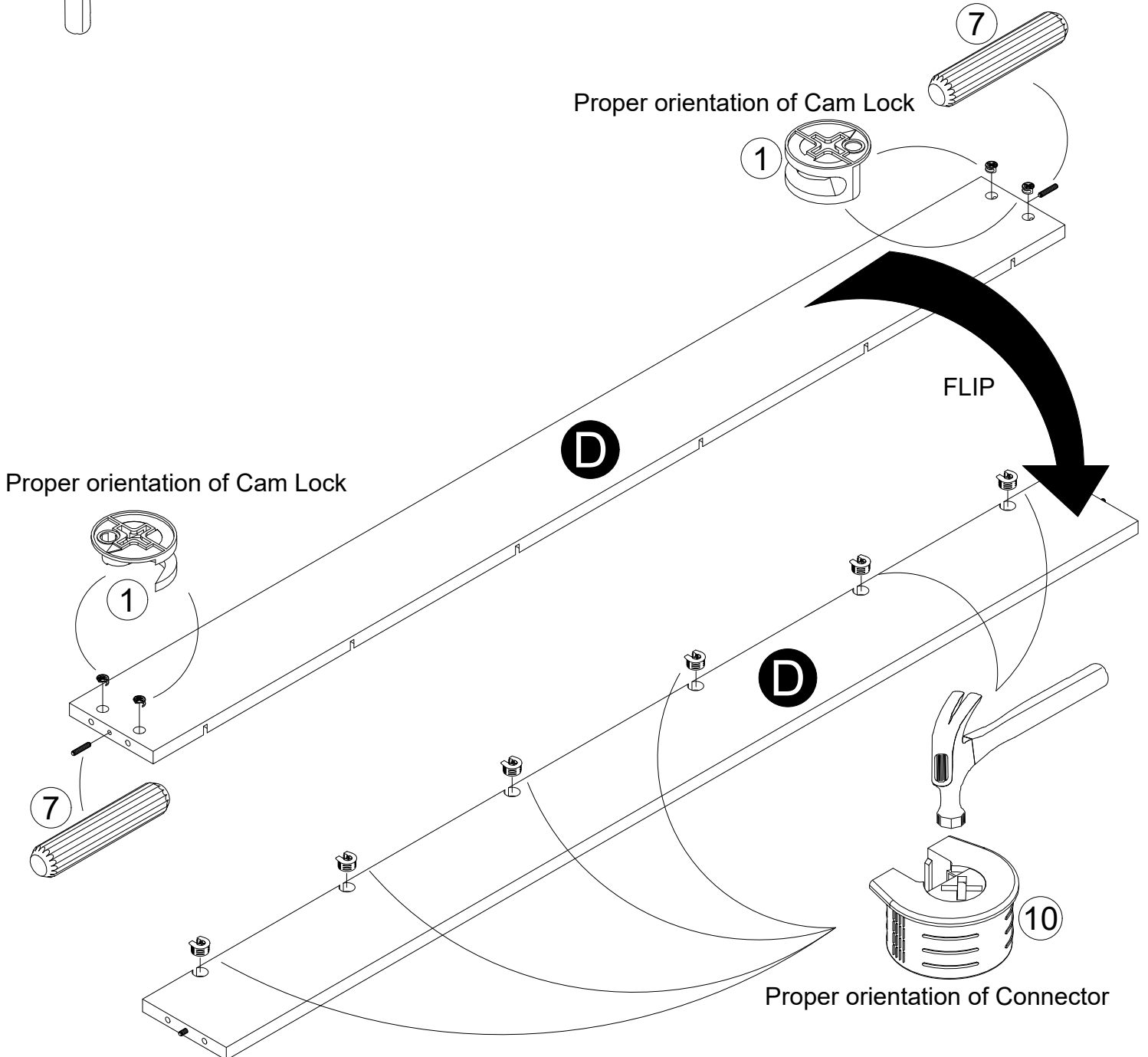
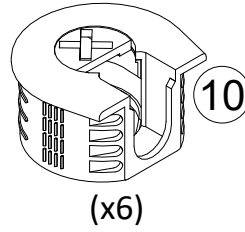
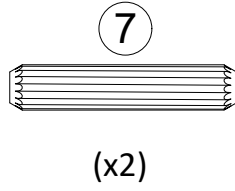
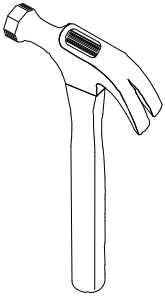
(x4)



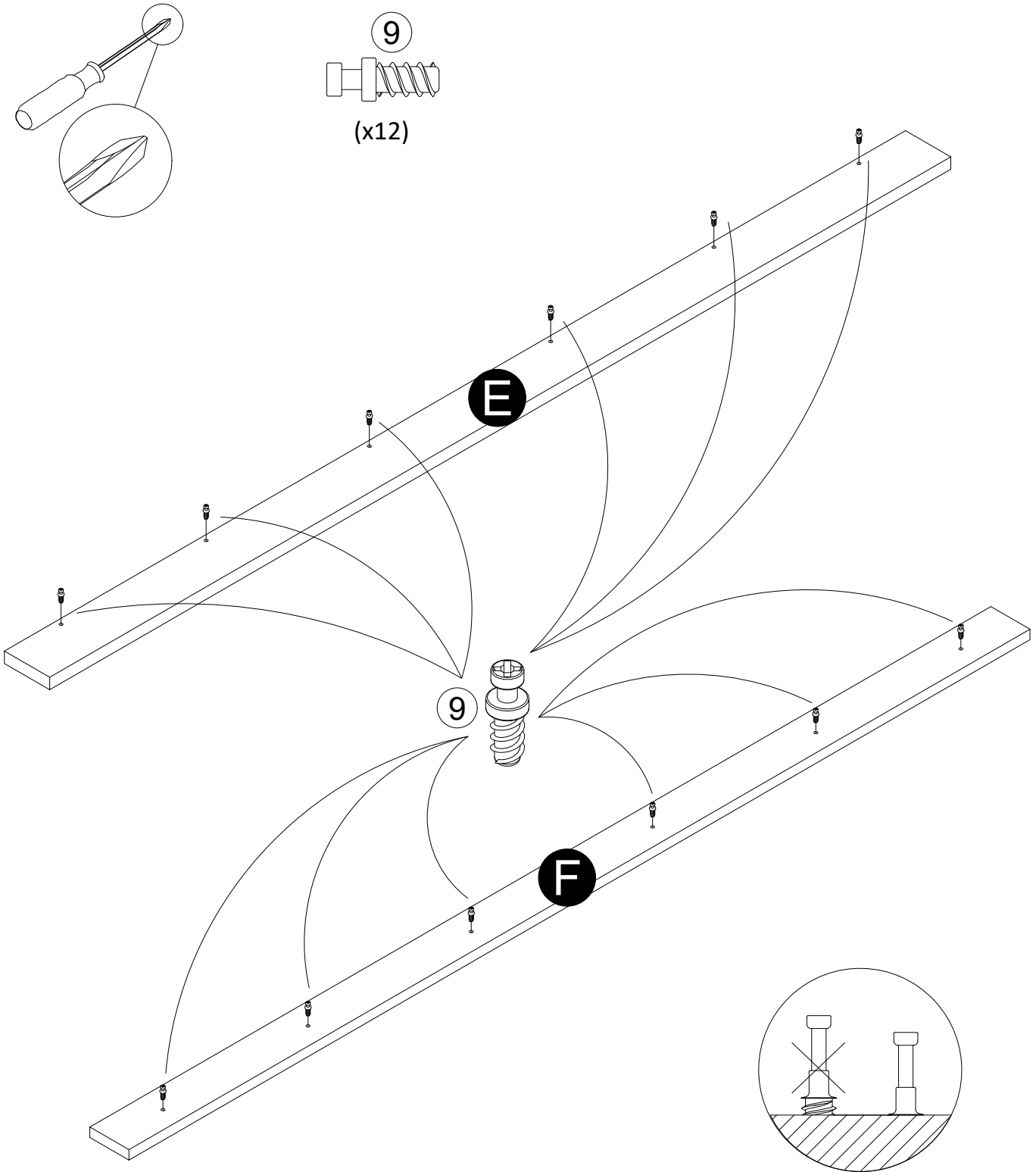
# STEP 3



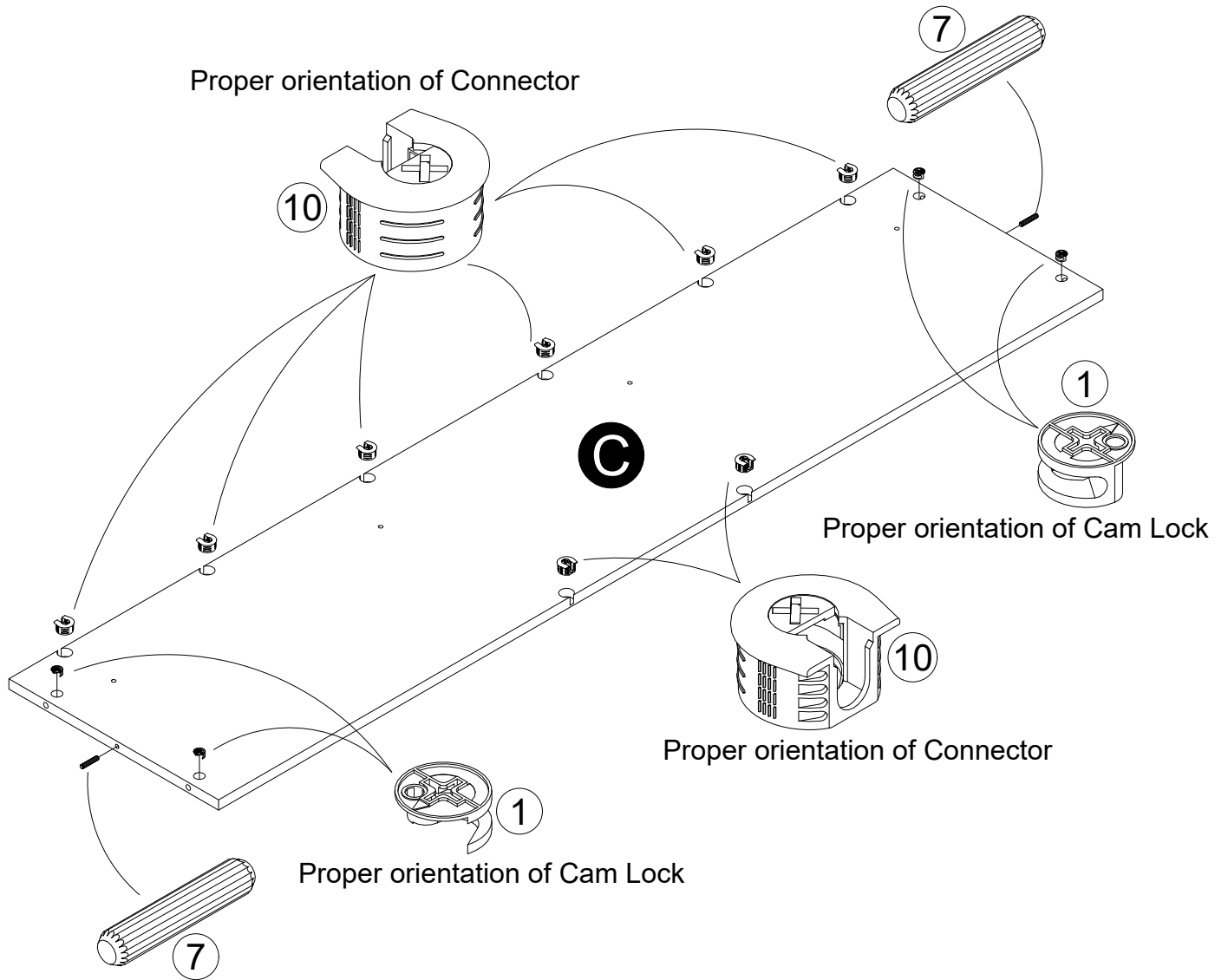
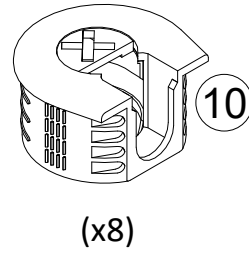
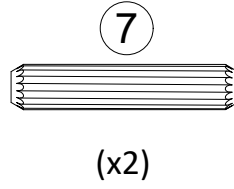
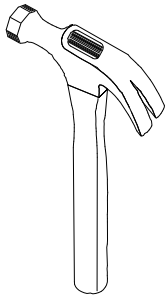
# STEP 4



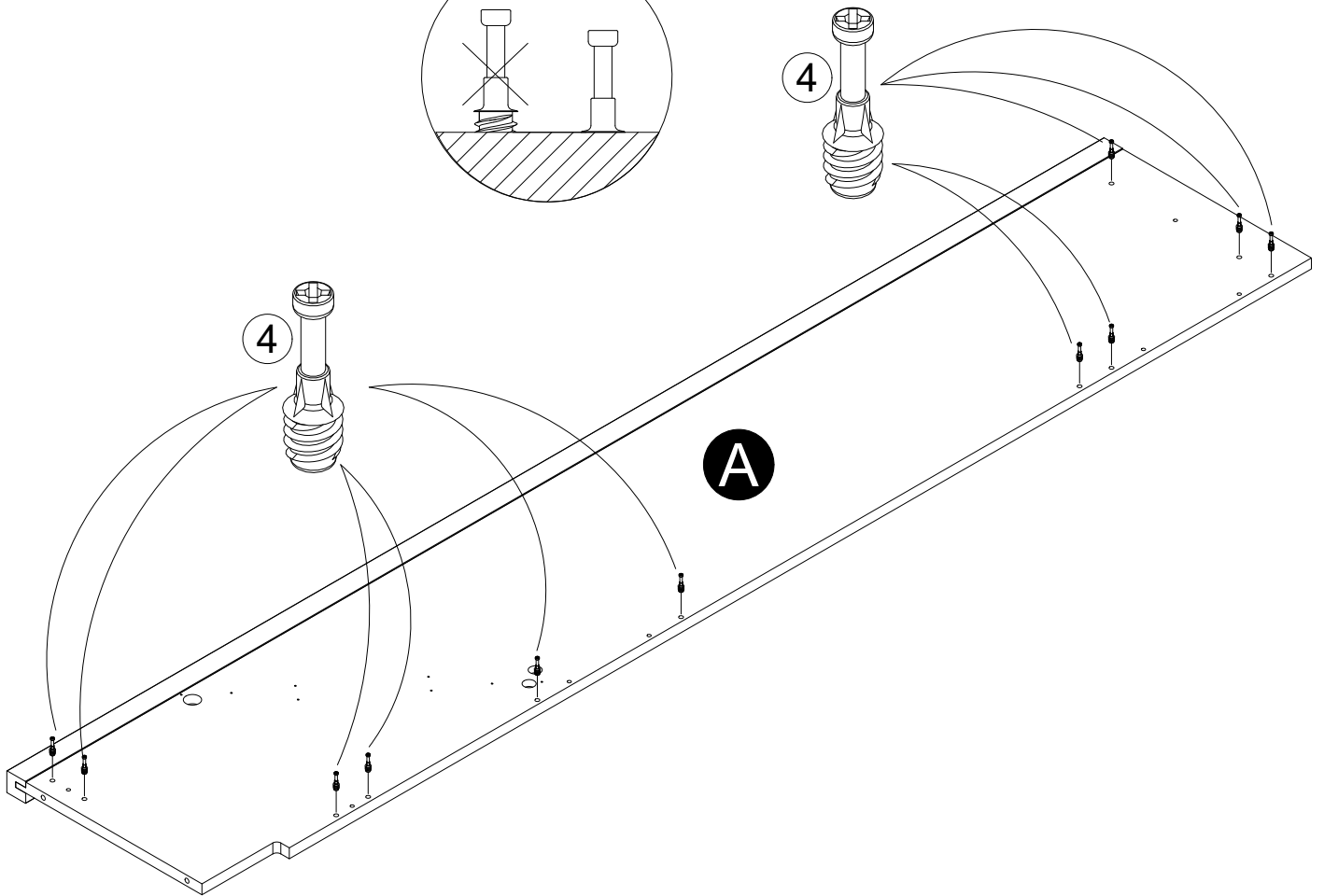
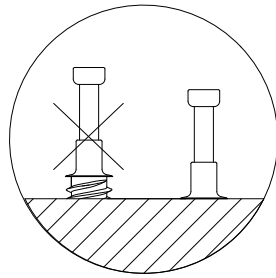
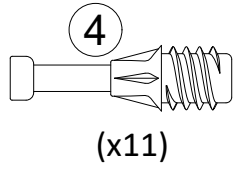
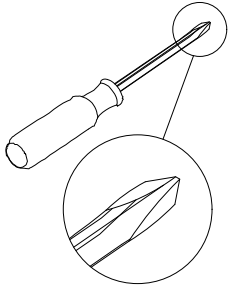
# STEP 5



# STEP 6

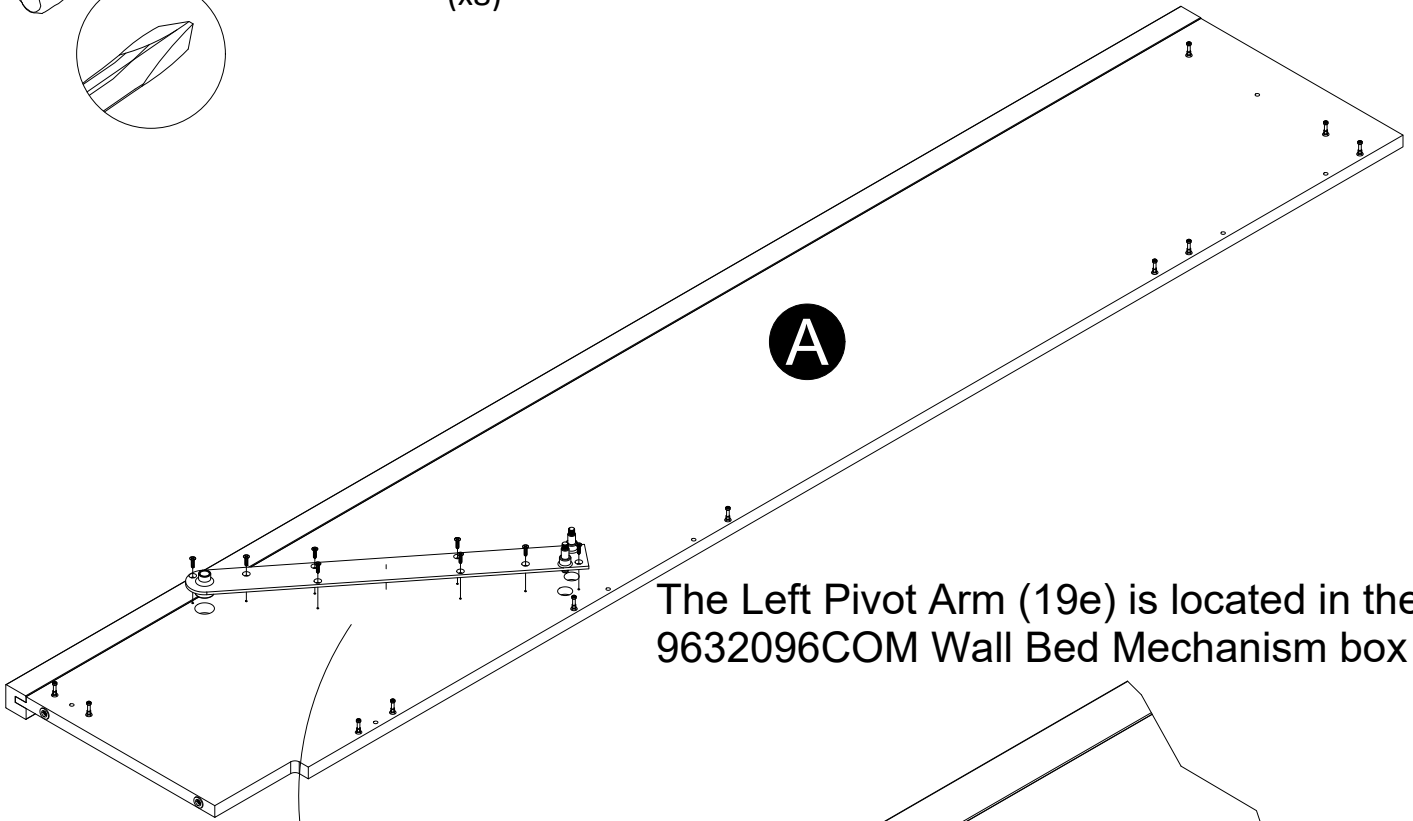
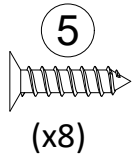
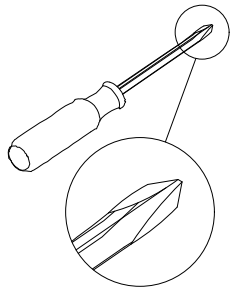


# STEP 7

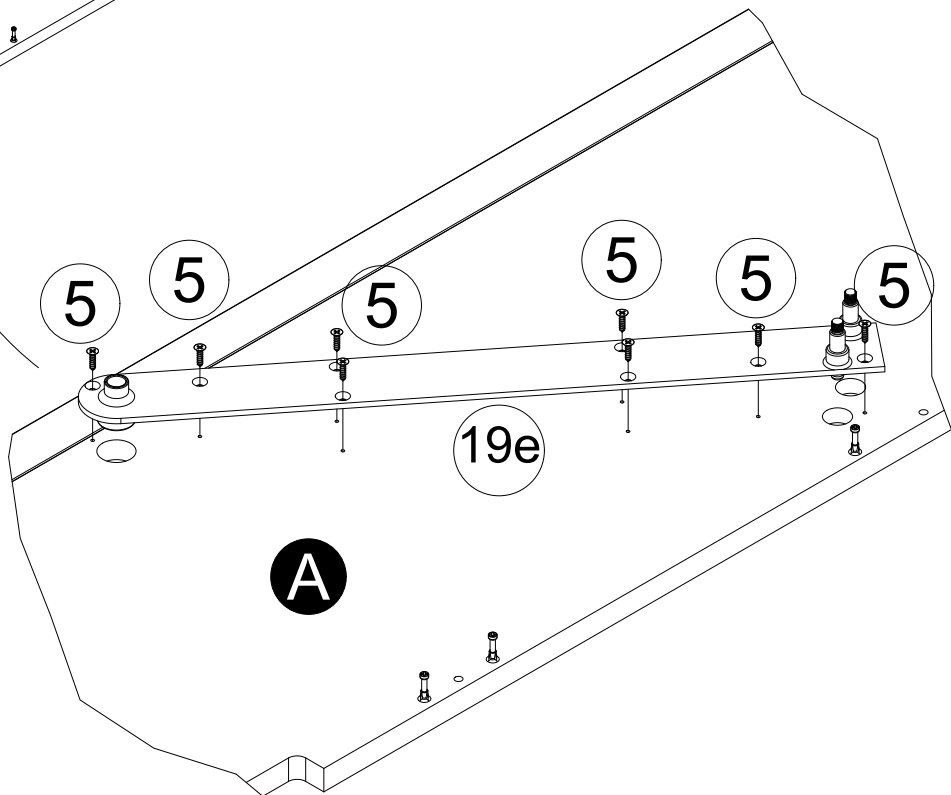




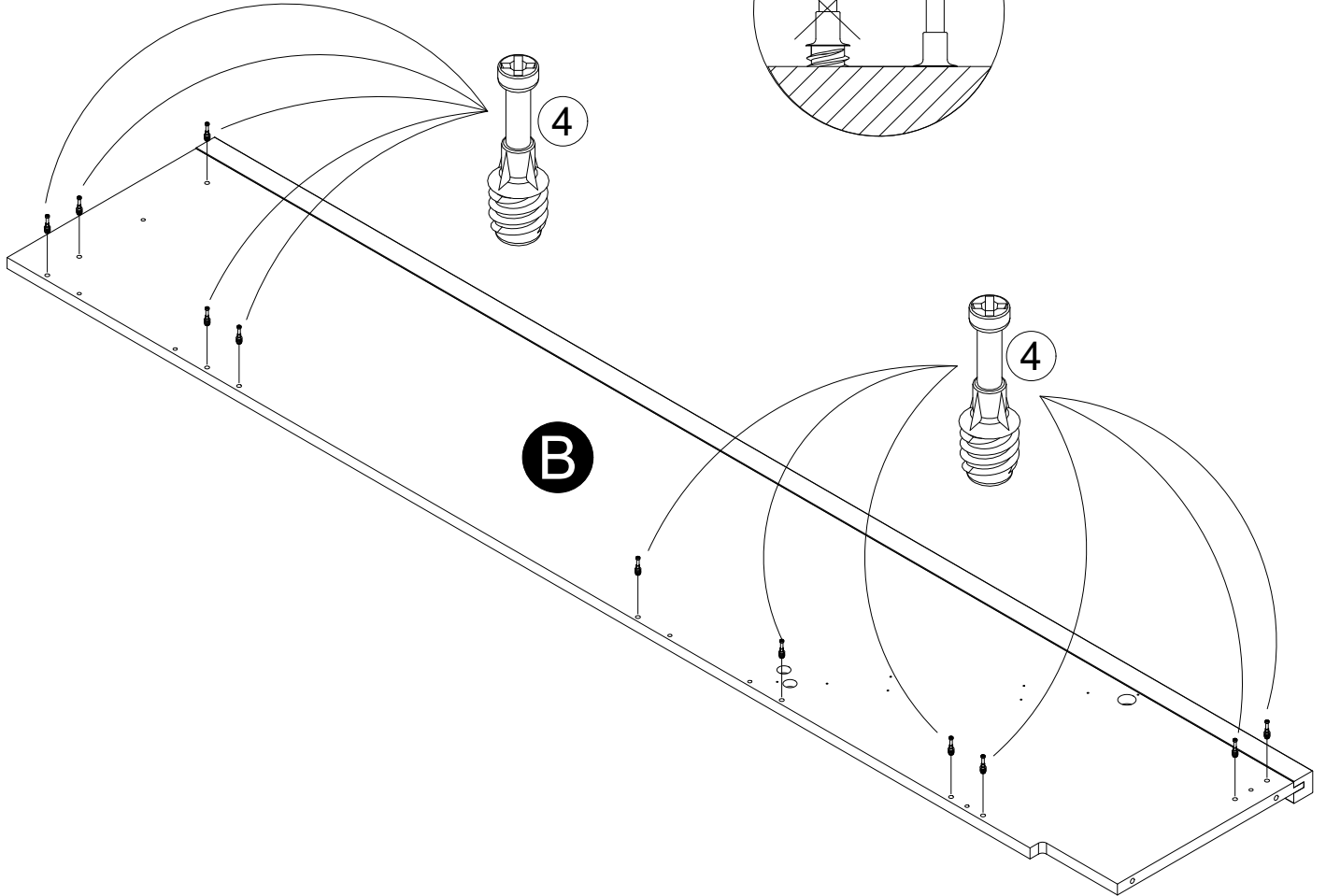
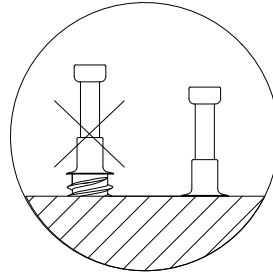
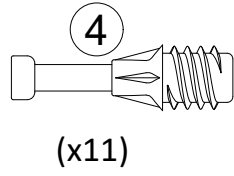
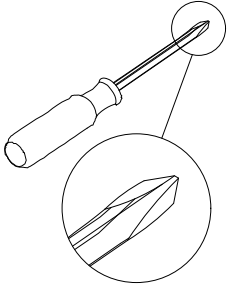
# STEP 8



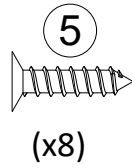
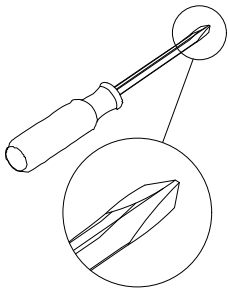
The Left Pivot Arm (19e) is located in the 9632096COM Wall Bed Mechanism box



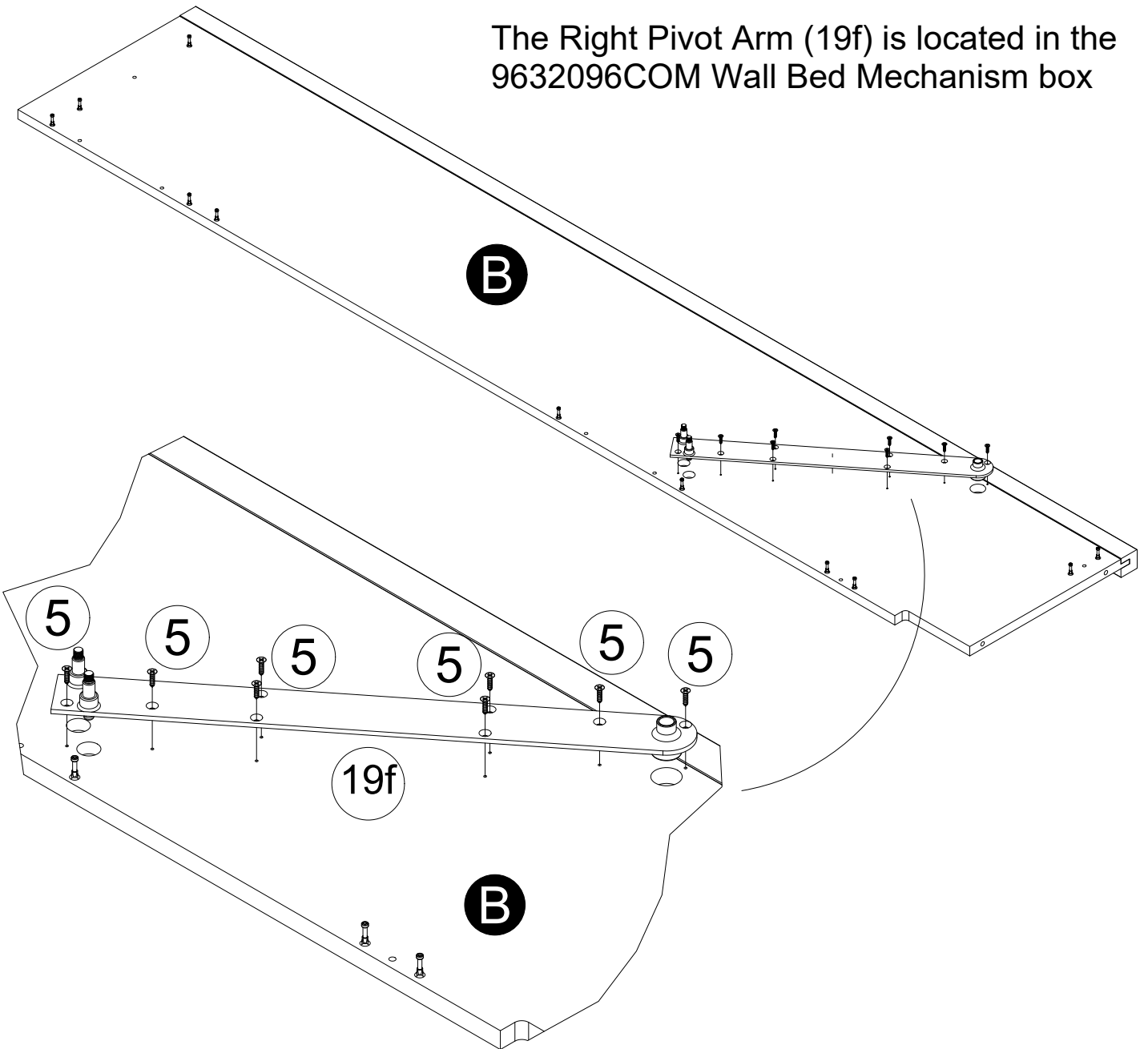
# STEP 9



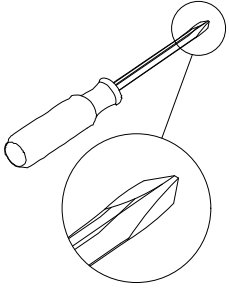
# STEP 10



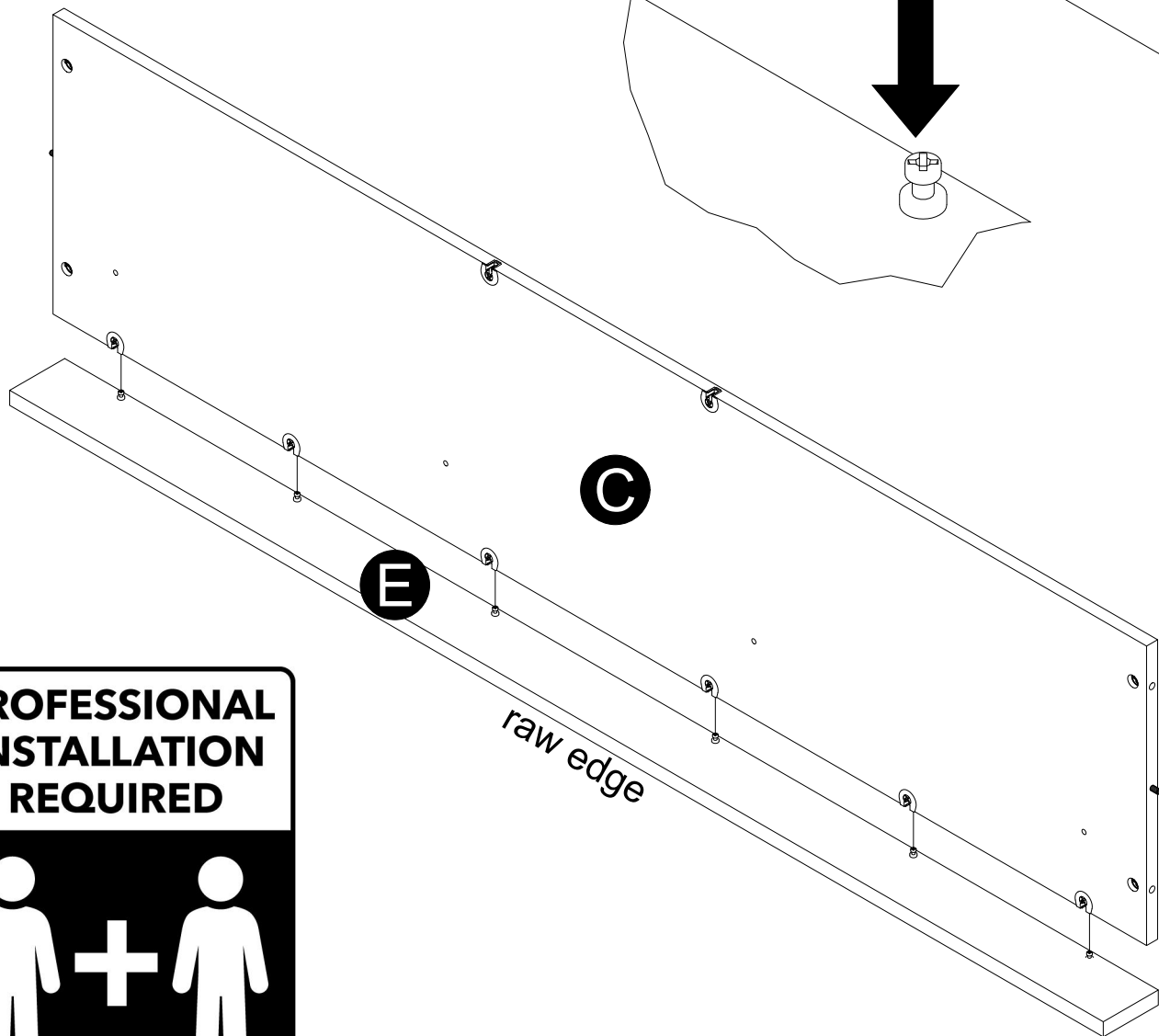
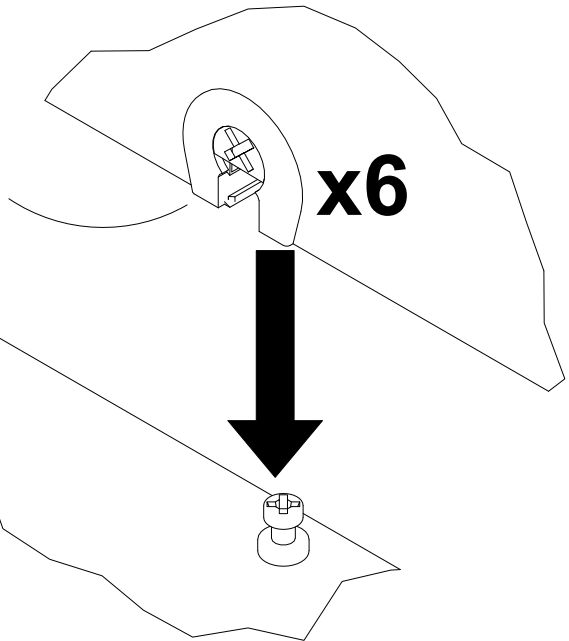
The Right Pivot Arm (19f) is located in the 9632096COM Wall Bed Mechanism box



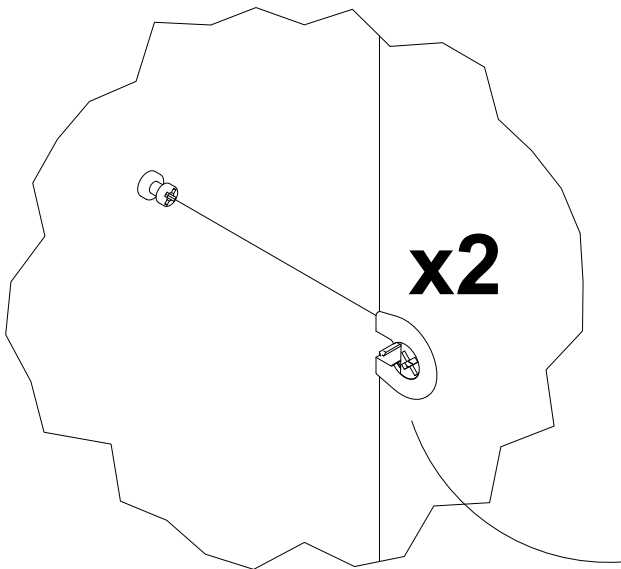
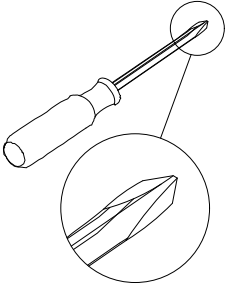
# STEP 11



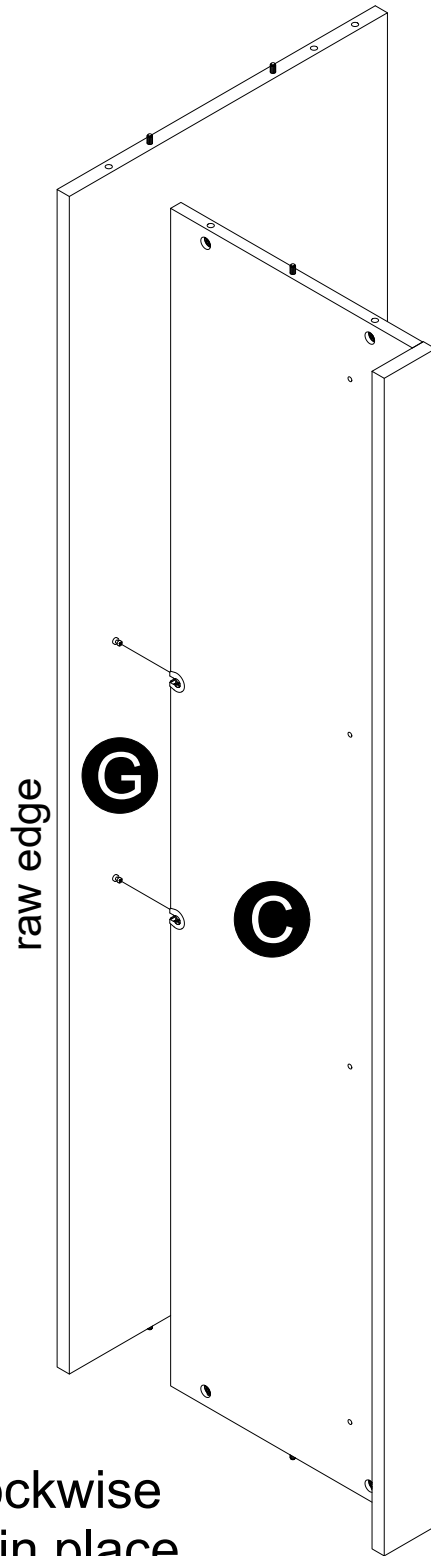
turn clockwise  
to lock in place



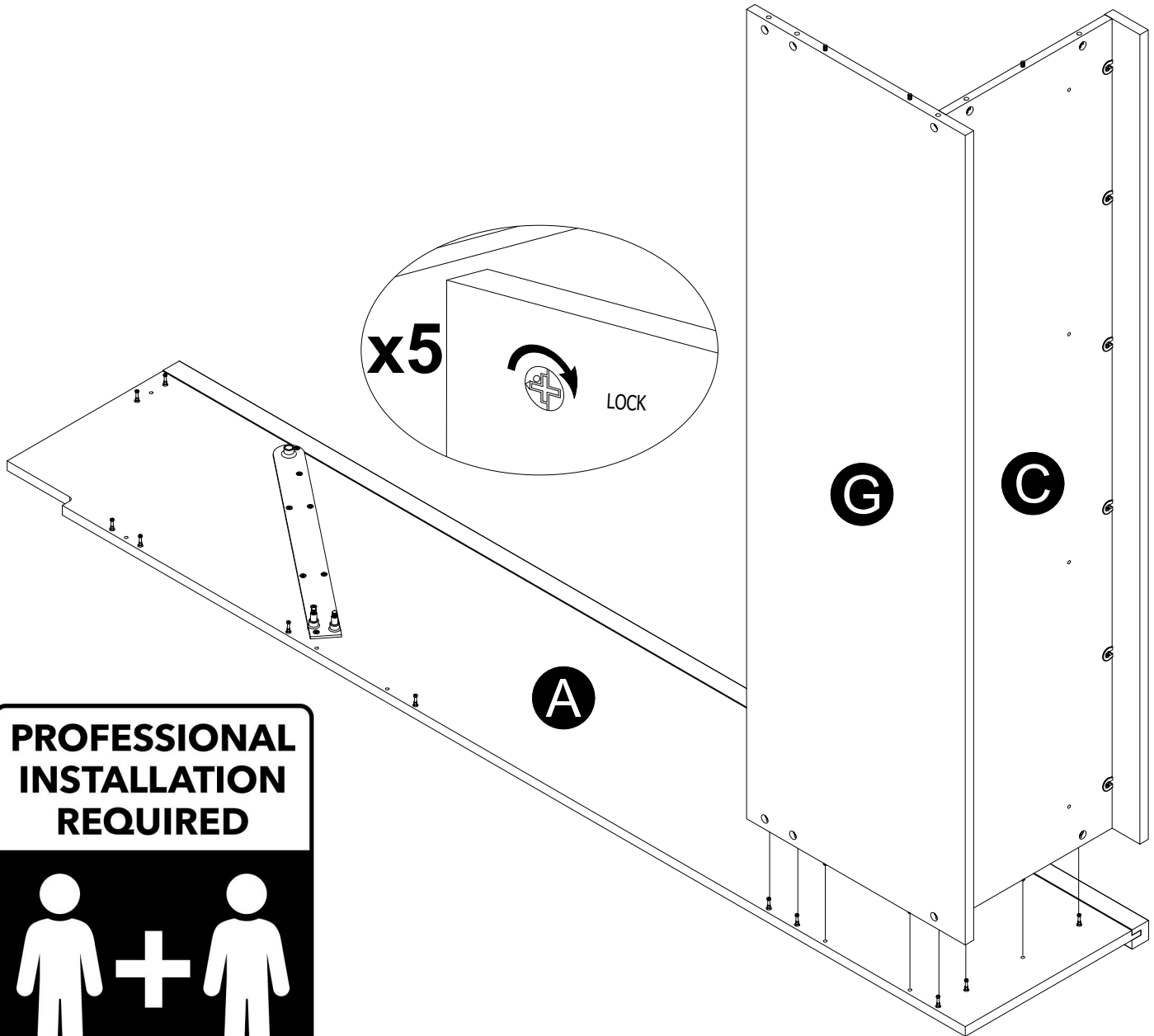
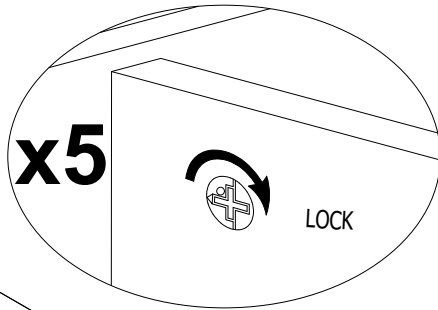
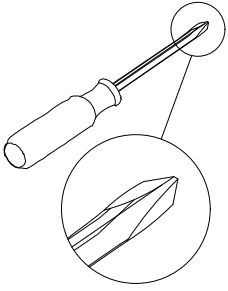
# STEP 12



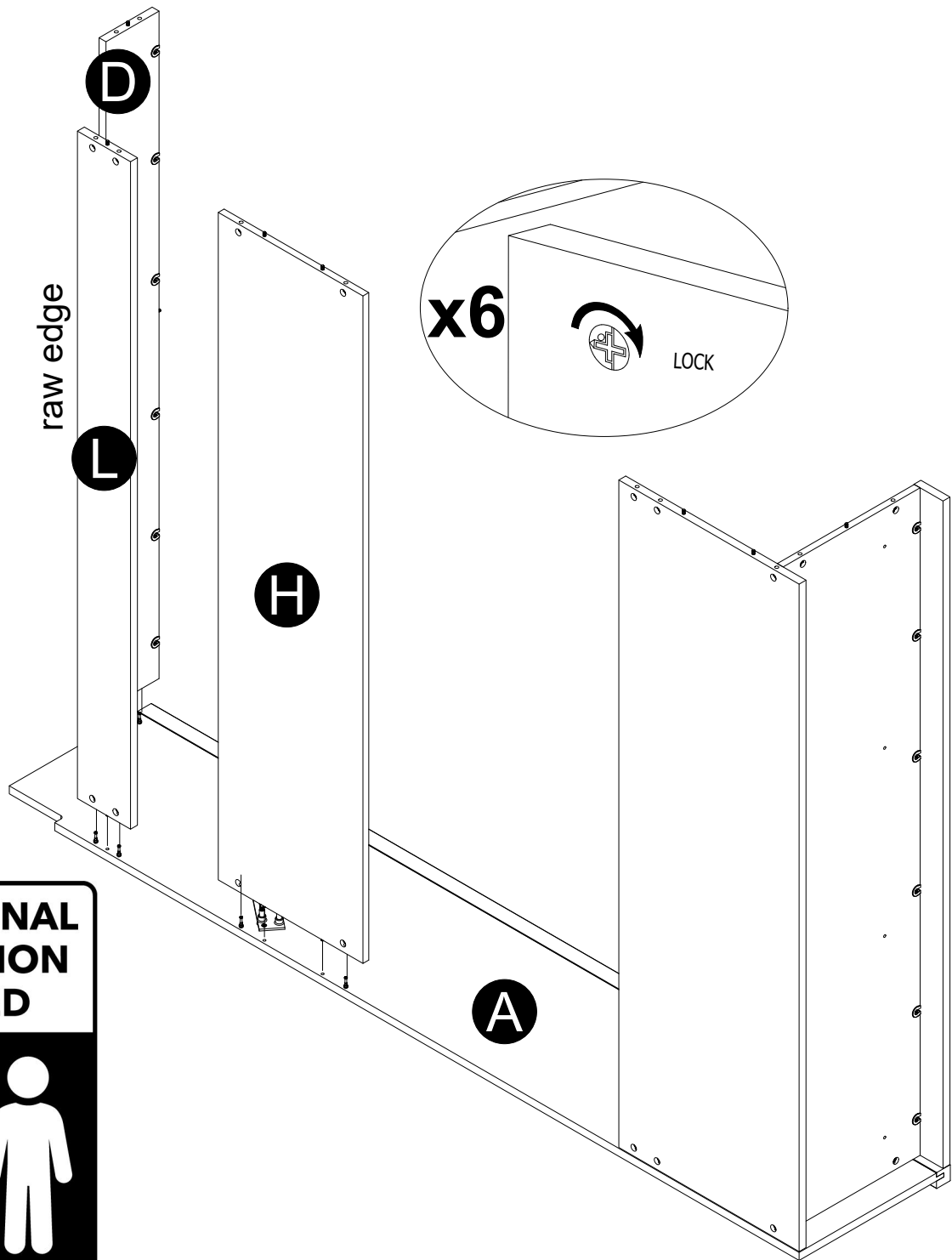
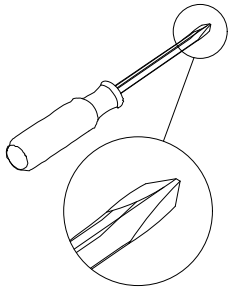
turn clockwise  
to lock in place



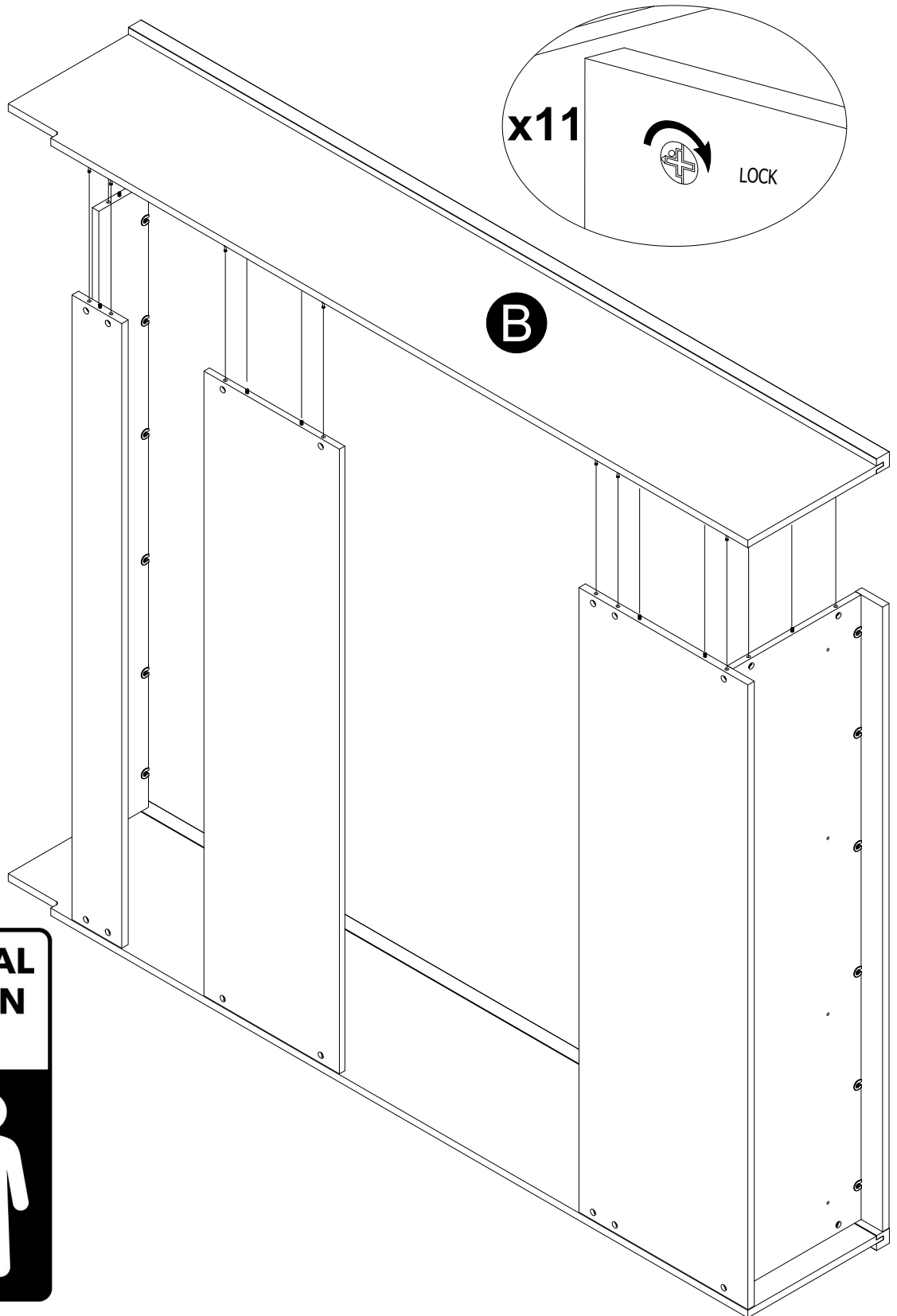
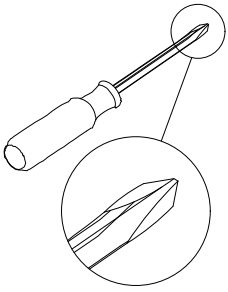
# STEP 13



# STEP 14

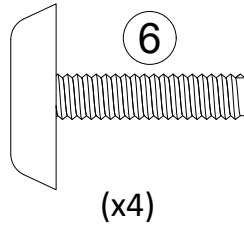
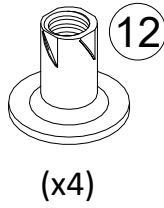
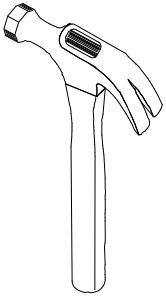


# STEP 15

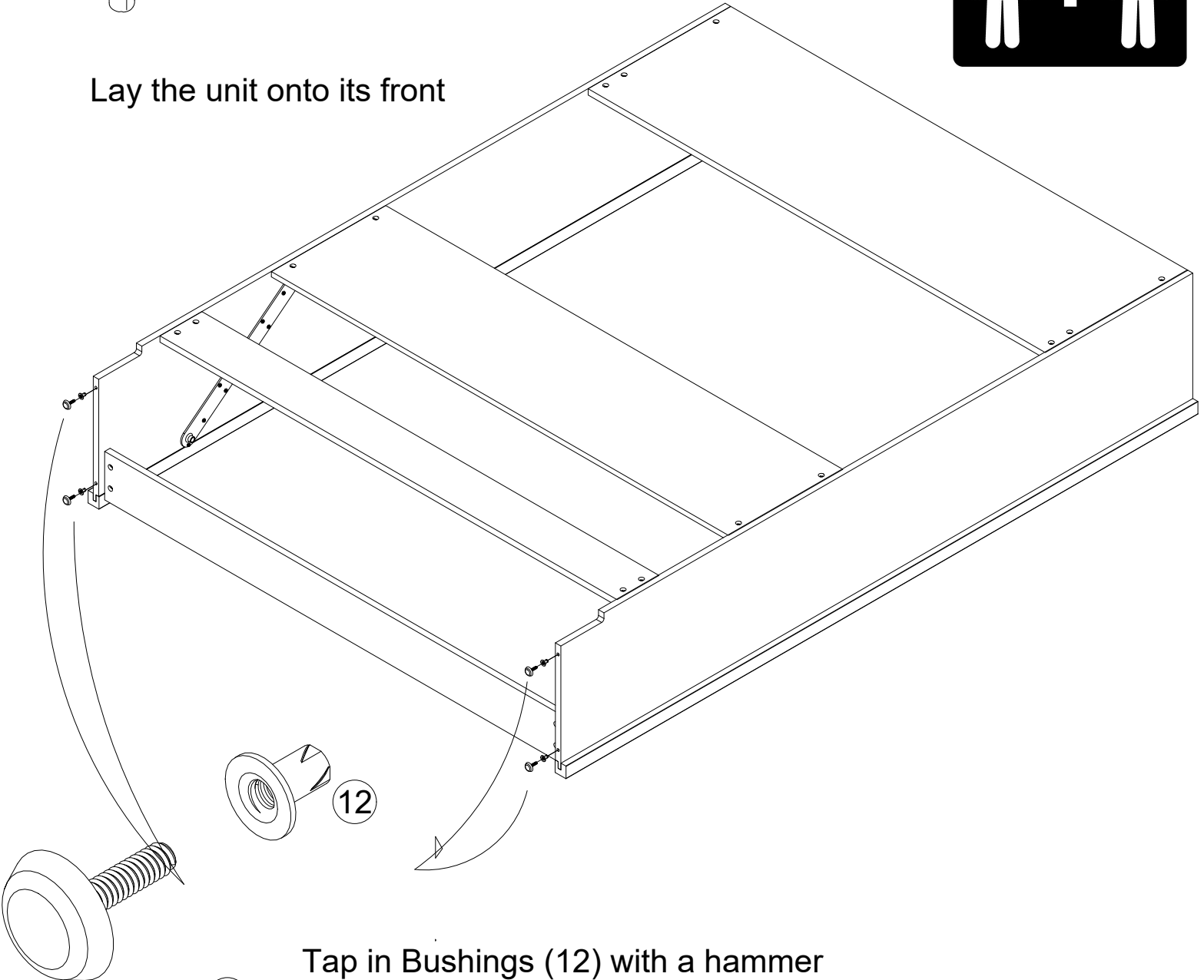




# STEP 16



Lay the unit onto its front



Tap in Bushings (12) with a hammer  
Screw in Glides (6) all the way

The next steps are to assemble your unit to the wall



**Assembled unit MUST be square on the height, width, and depth to function properly**

**Assembled unit MUST be placed flat against the wall**

**Assembled unit MUST be screwed into 3 DIFFERENT wall studs at the top and bottom for safety**

**Screws provided are for drywall and wood studs. If walls are masonry, concrete, or other wall materials: Use appropriate hardware to securely attach your unit to the wall**

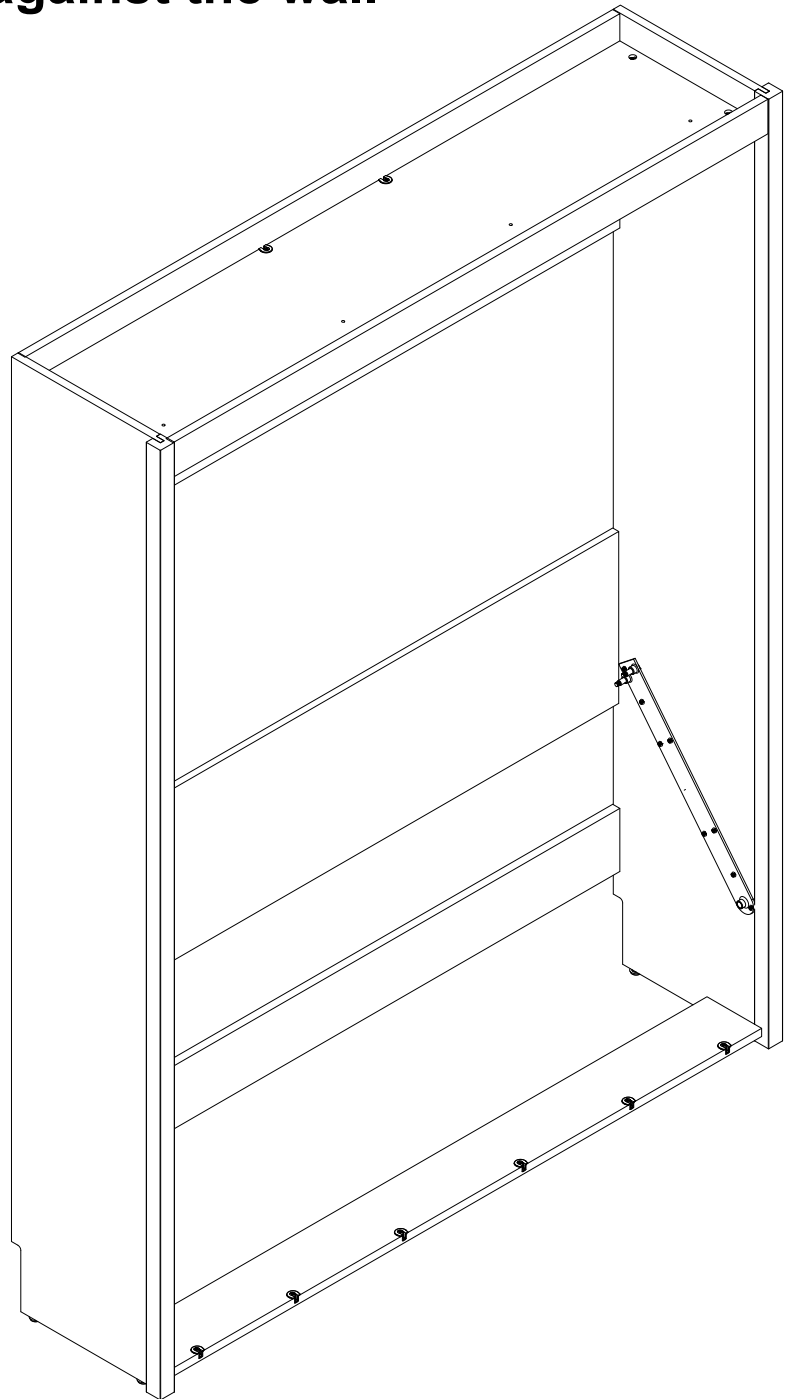
**DO NOT use wall anchors to fasten your unit to the wall**

**Relocation isn't suggested after assembly!**

## Place your unit FLUSH against the wall

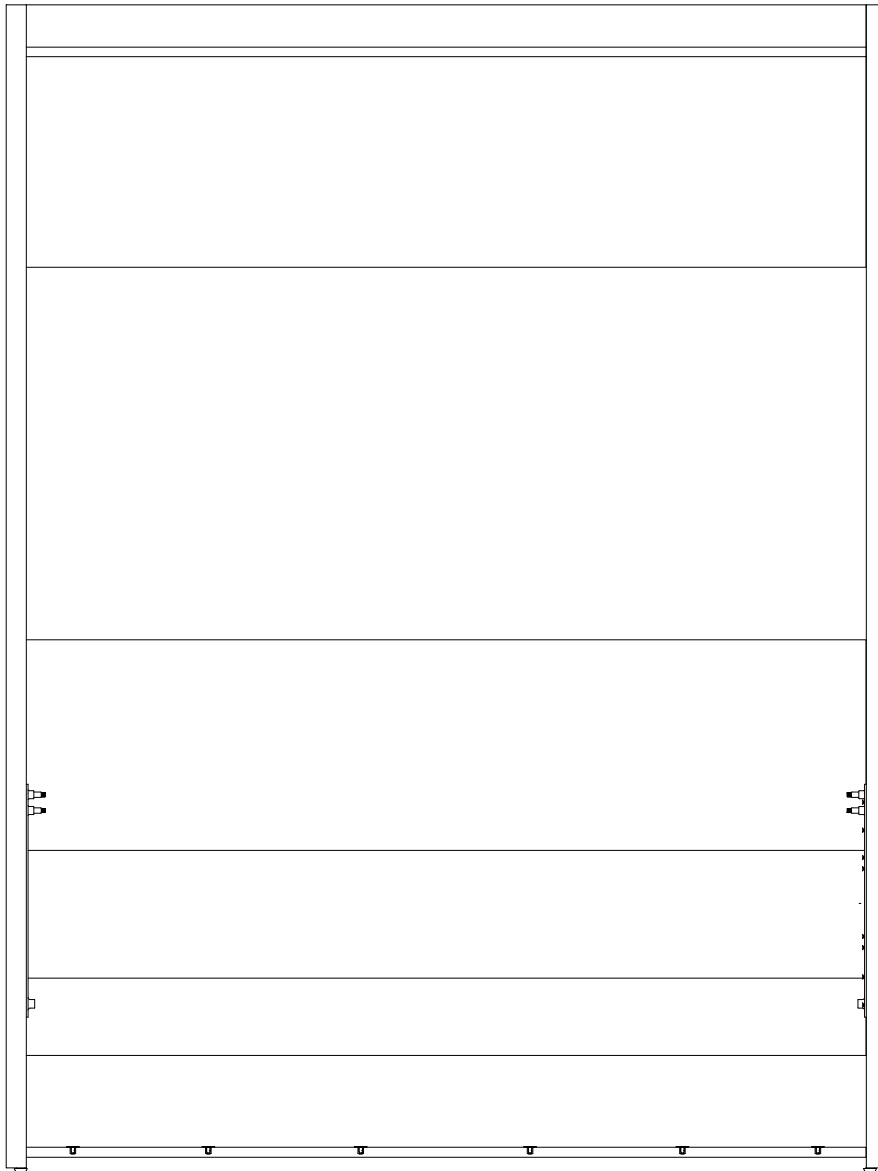
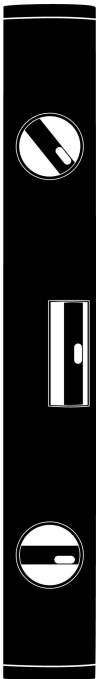
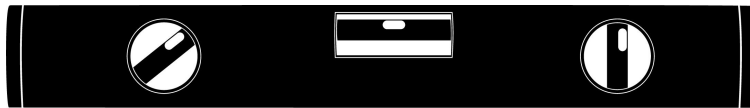


There are notches provided at the back of your unit. These notches are to fit around the baseboard on your wall. If your baseboard is higher or thicker than the notches provided on the unit, you will need to remove the baseboard, cut it down to fit on both sides of your unit, then refasten to the wall.



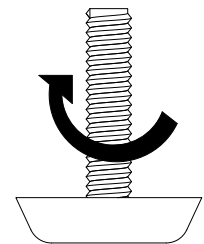
# STEP 18

Assembled unit MUST be flush on the height, width, and depth to function properly

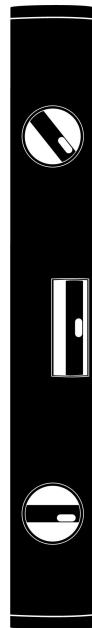
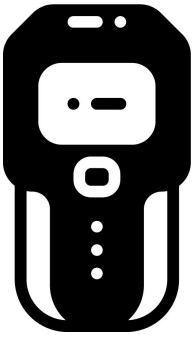


**A ladder will be required  
Do not lean against the  
top of the unit, it may  
cause sagging**

If required, unscrew the  
Glides counter-clockwise  
as necessary in all 4  
corners until your unit is  
level in all directions



# STEP 19



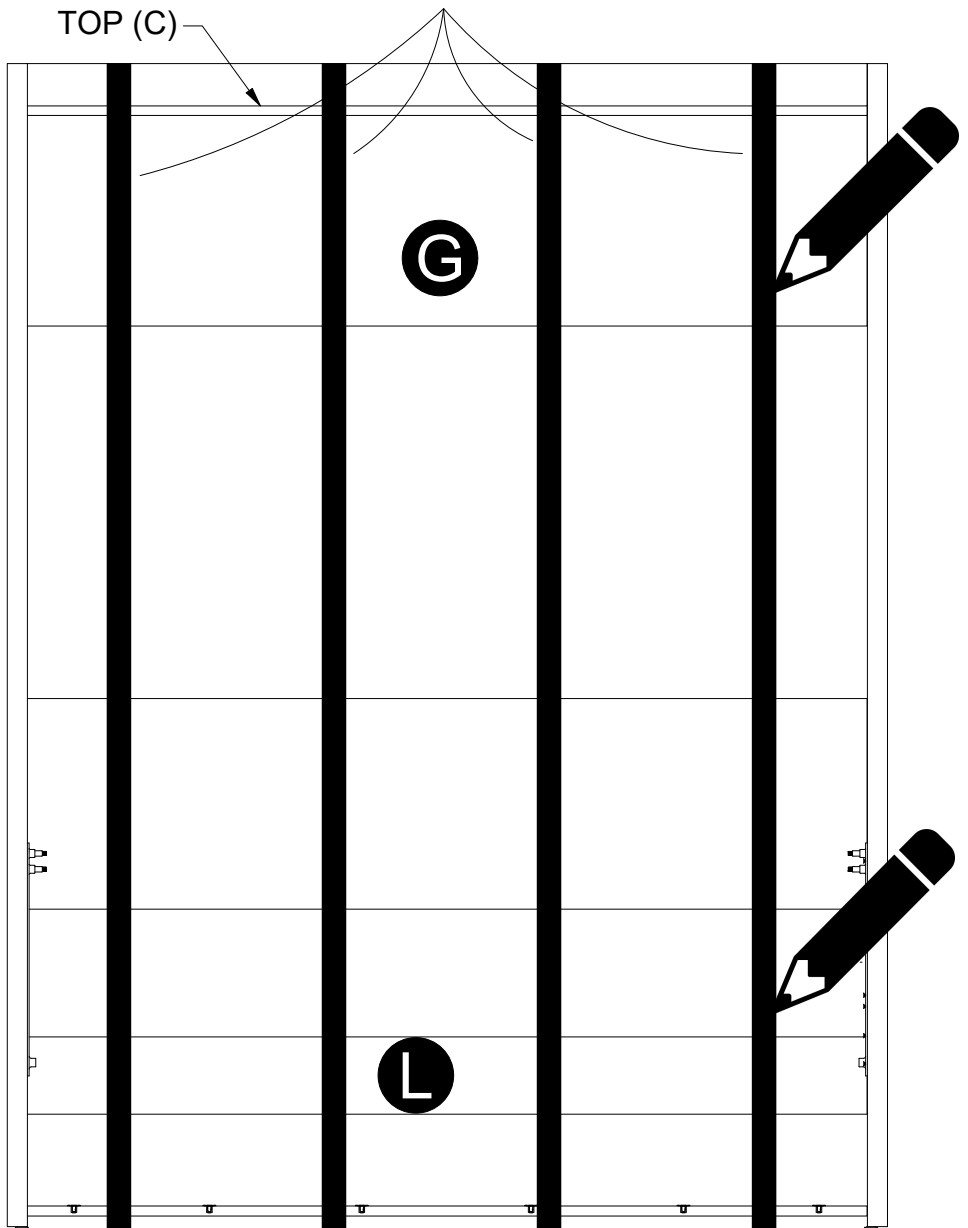
**A ladder will be required  
Do not lean against the  
top of the unit, it may  
cause sagging**



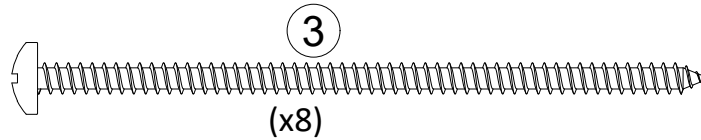
Locate the studs in the wall, using a stud finder.  
Using a pencil, mark the stud locations on the upper surface of the Upper Back Panel (G).  
Using a level, carry the stud locations down to the Bottom Stringer (L), and with a pencil, mark the stud locations.

**You need to locate at least 3  
DIFFERENT studs, in the horizontal  
direction, but 4 is better.**

## Wall Studs

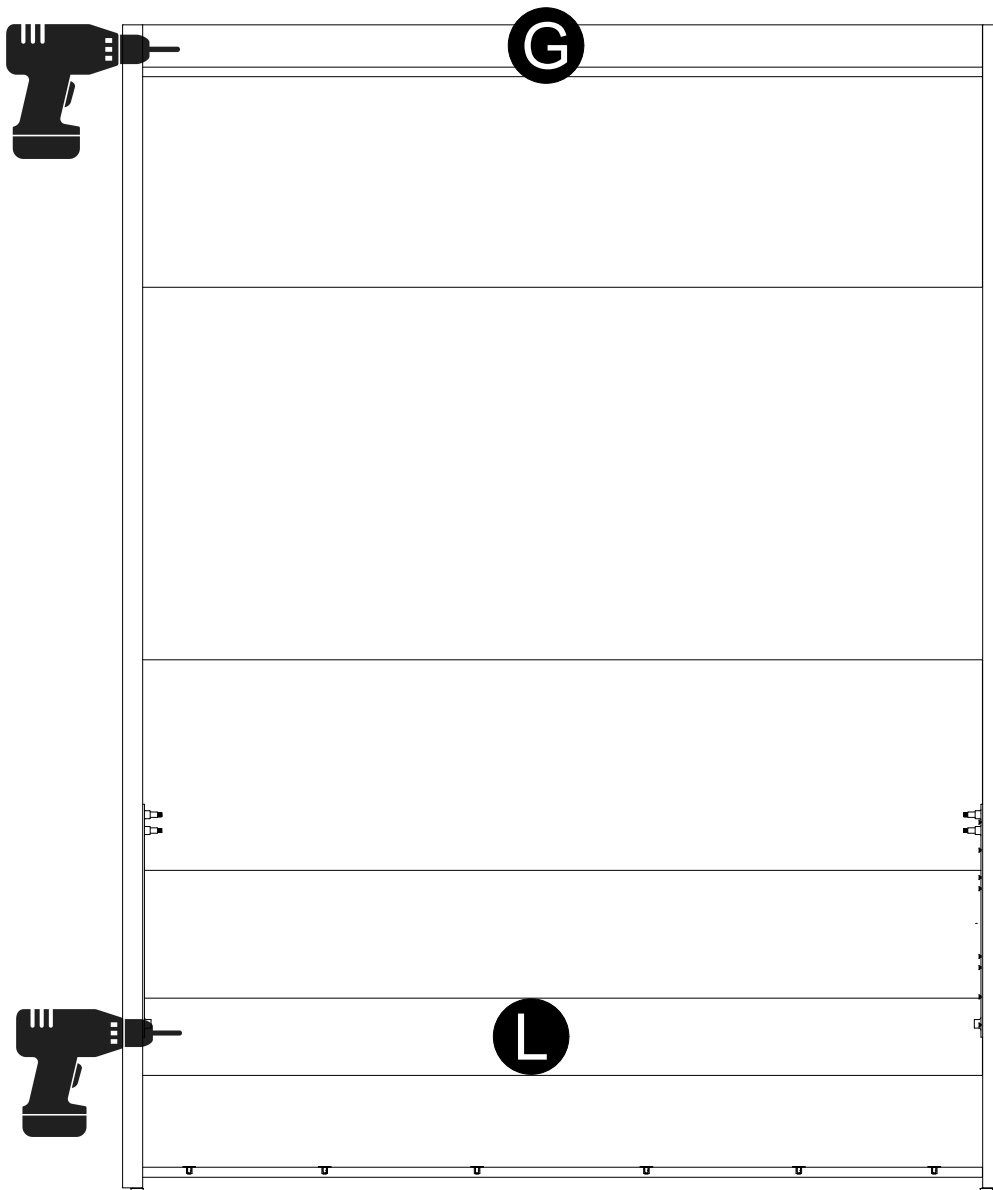


# STEP 20



**First, make sure that your unit is still level in all directions.**

Drill 1/8" (3mm) pilot holes through the Upper Back Panel (G) and Bottom Stringer (L) at the stud locator marks. Fasten the unit to the studs in the wall with the Screws (3).



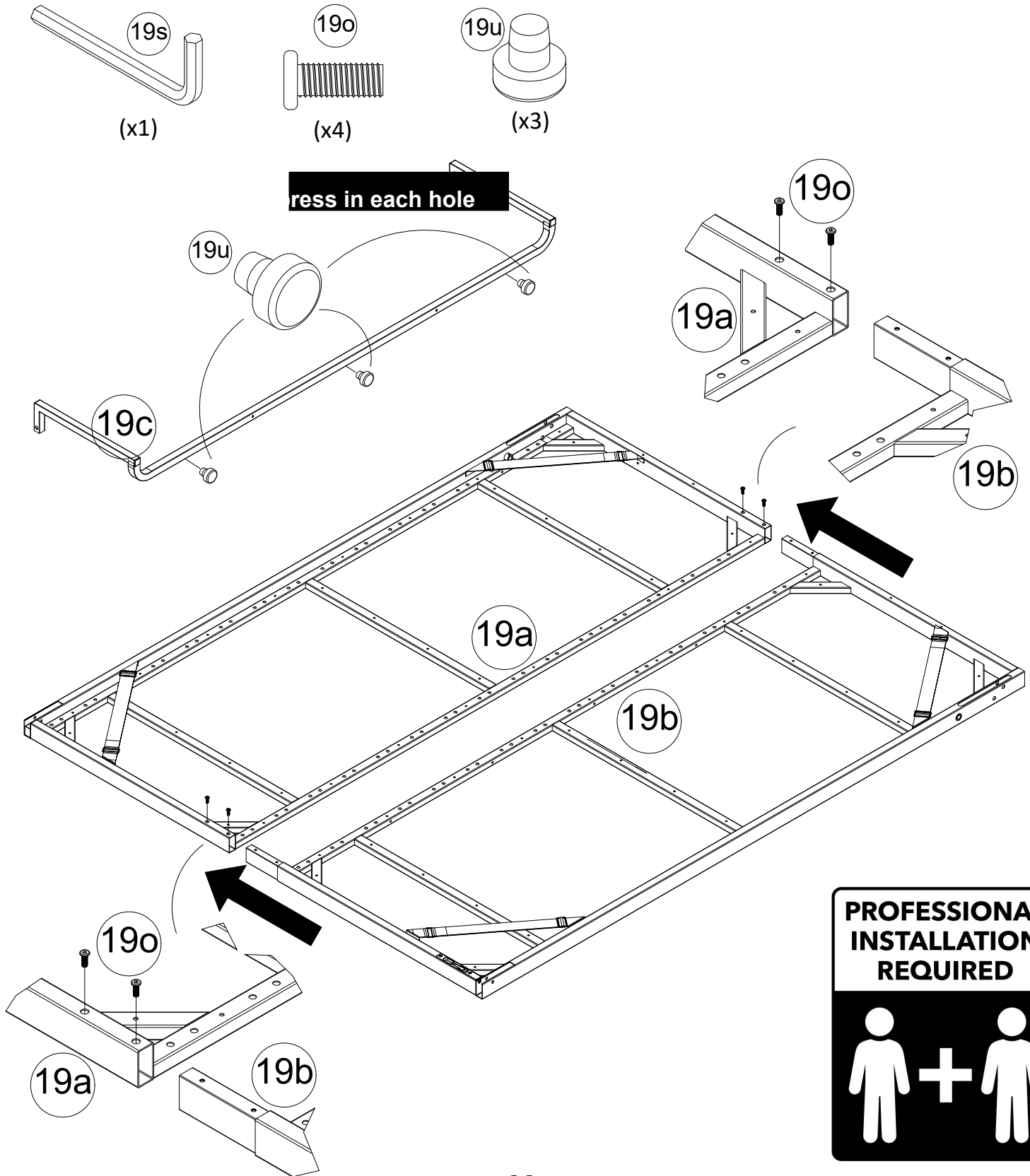
**A ladder will be required  
Do not lean against the  
top of the unit, it may  
cause sagging**



**The next steps are to assemble the metal bed  
frame and mechanism**

**These parts are located in the #9632096COM  
Wall Bed Mechanism Carton**

# STEP 21

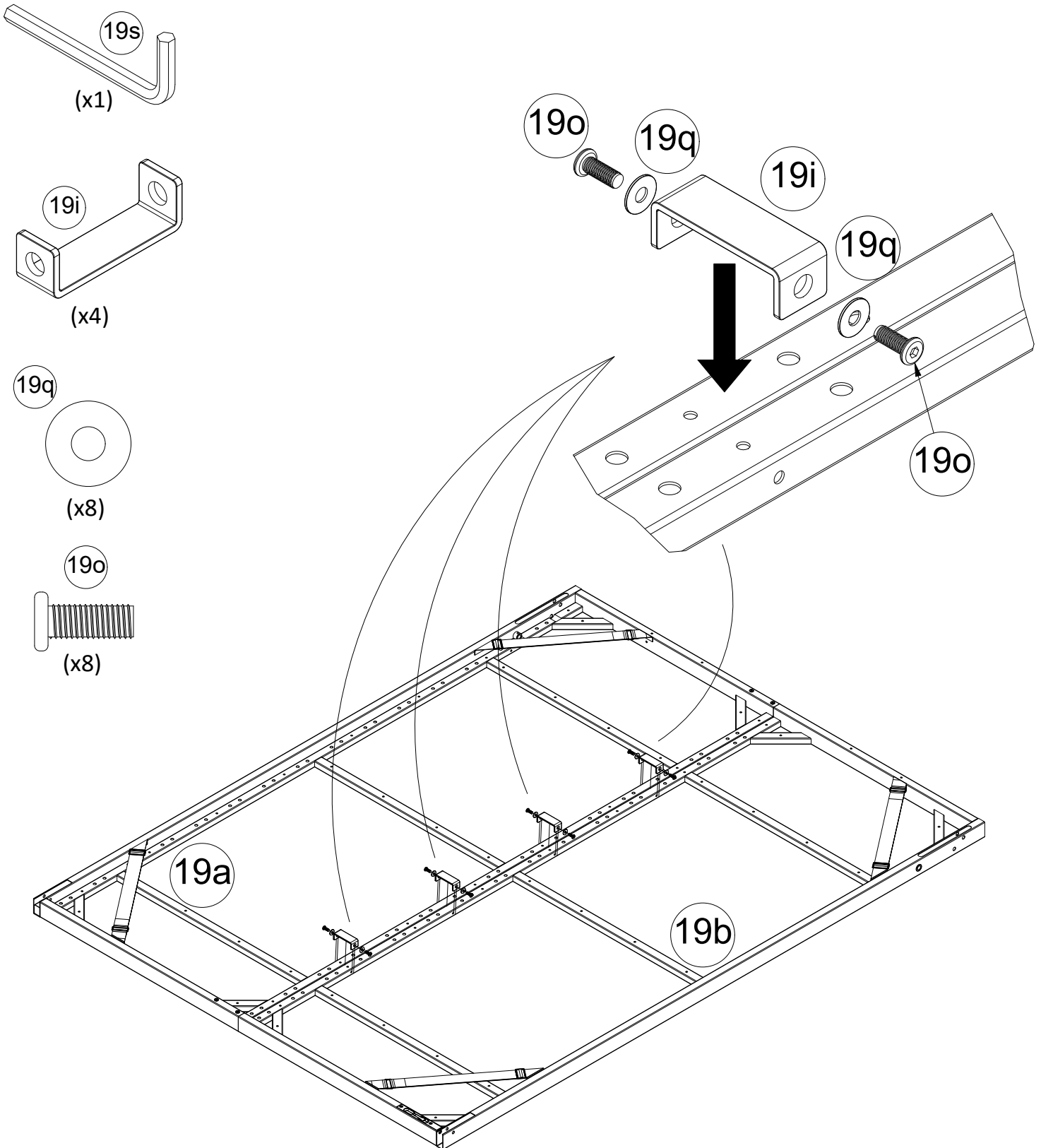


**PROFESSIONAL  
INSTALLATION  
REQUIRED**

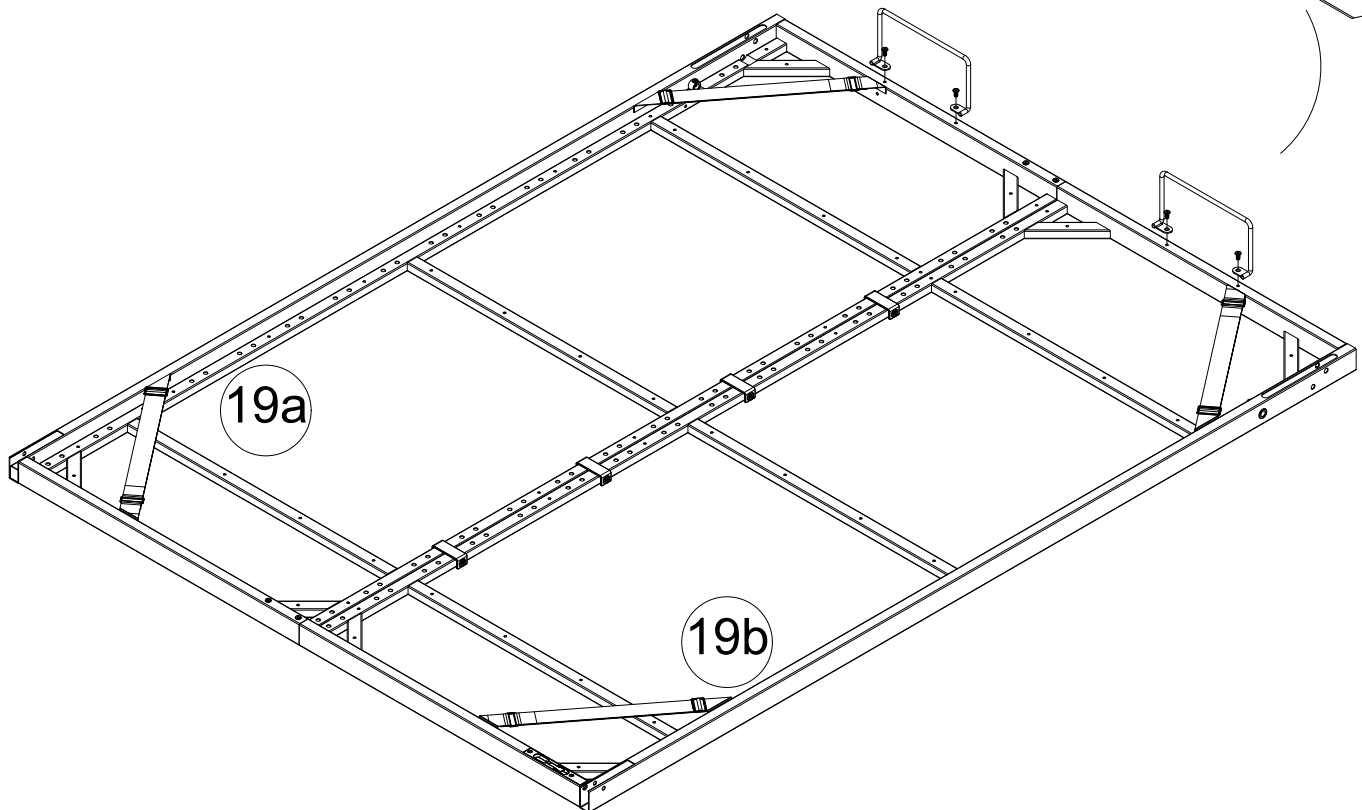
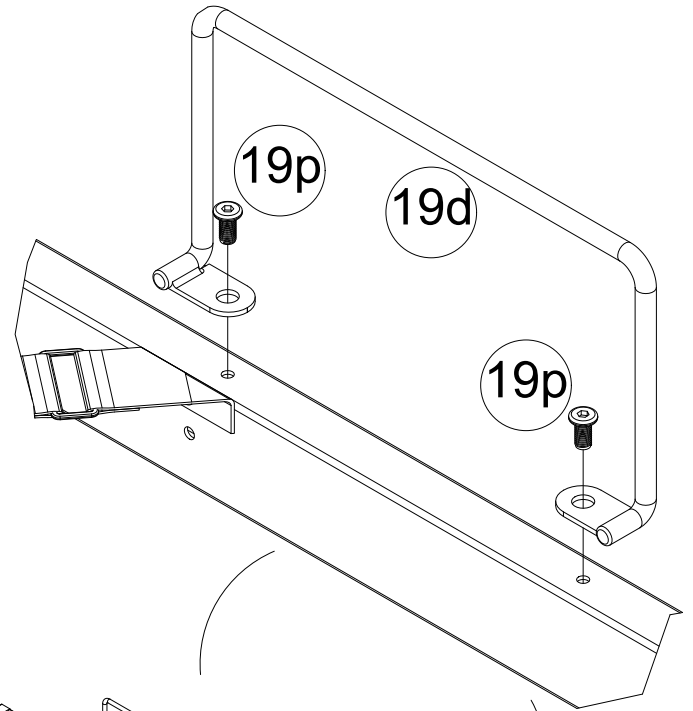
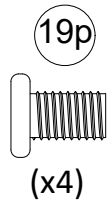
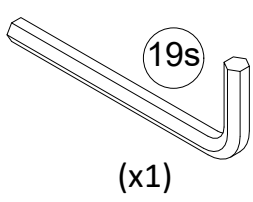




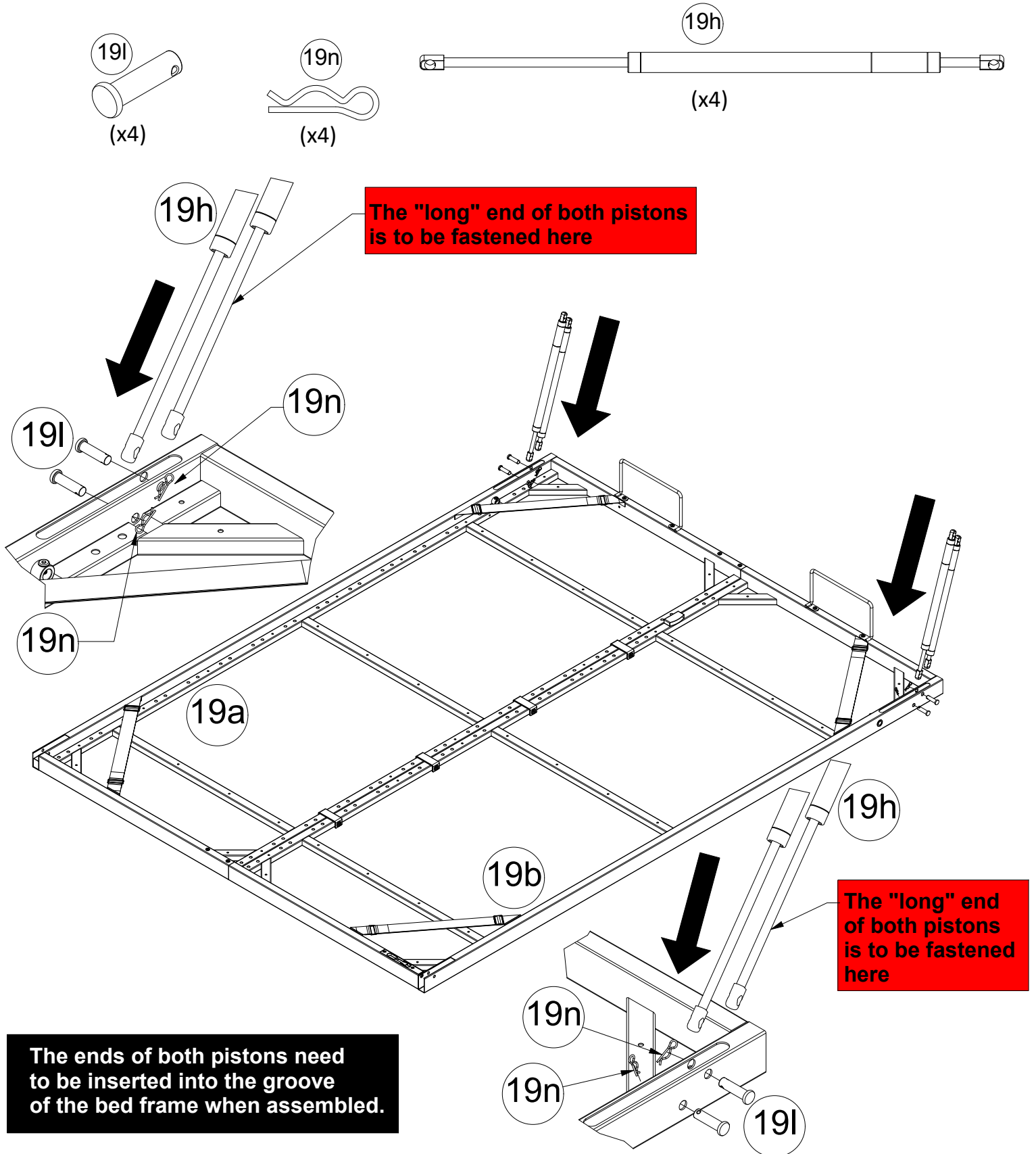
# STEP 22



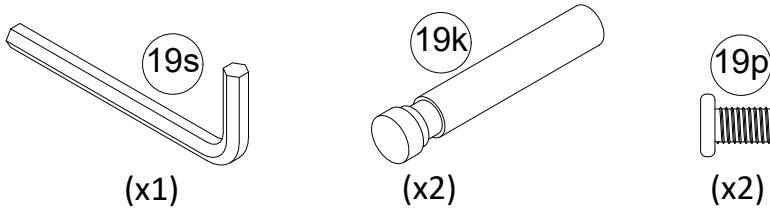
# STEP 23



# STEP 24

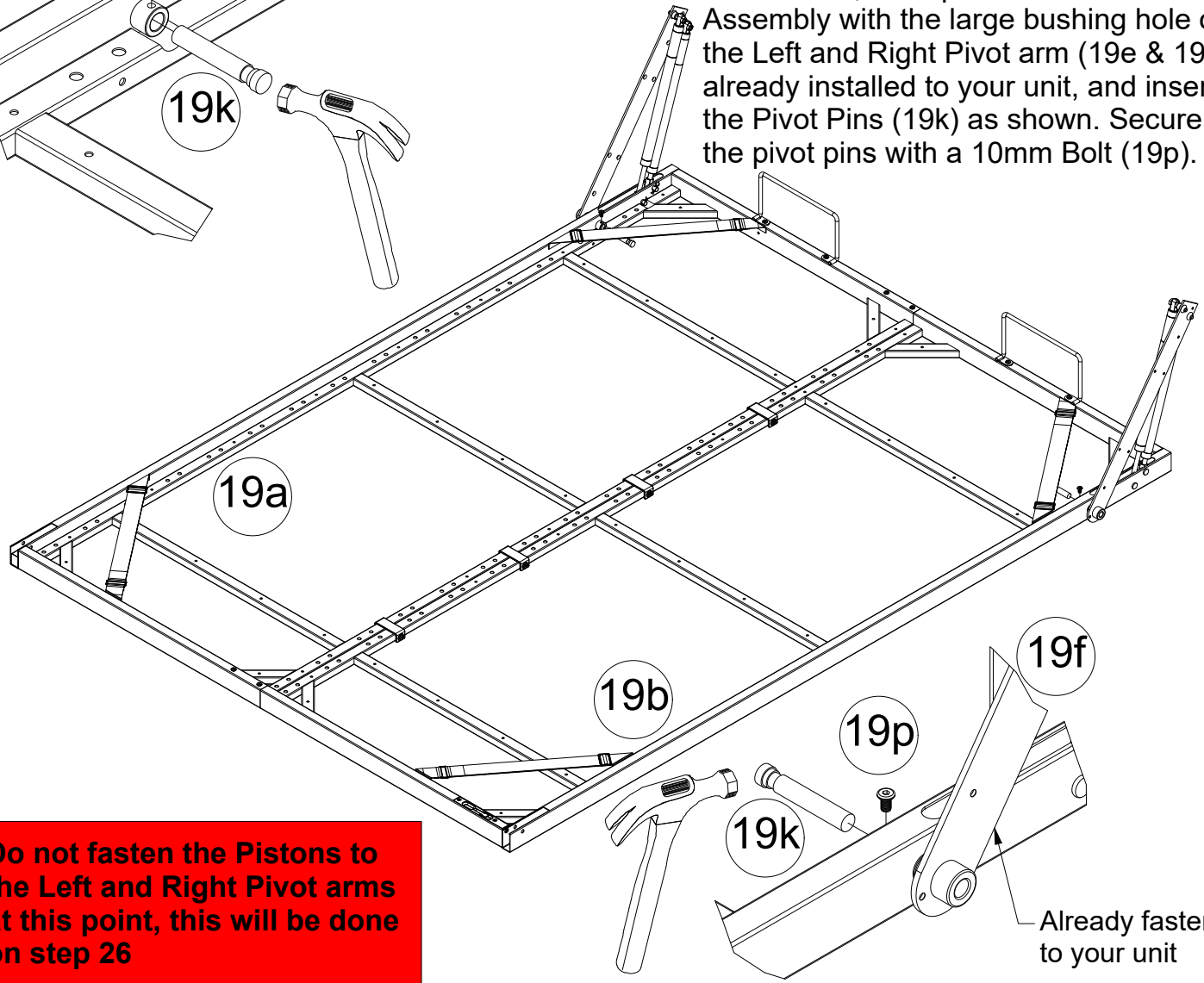
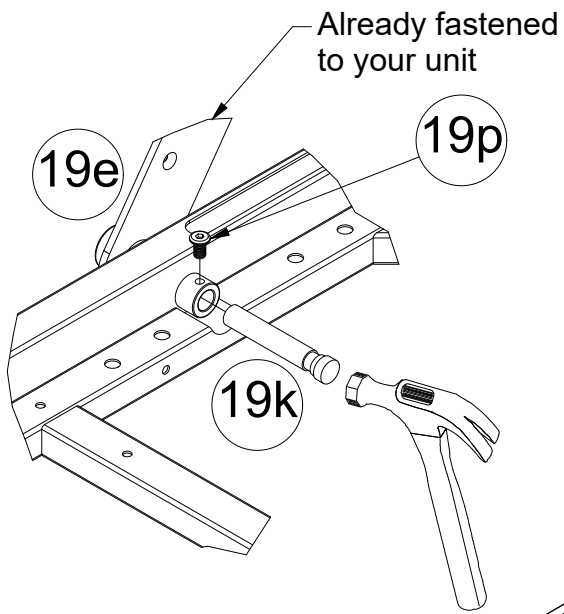


# STEP 25



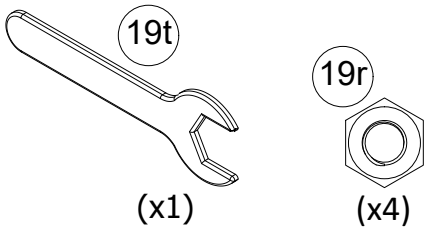
The cabinet is not shown to allow a clear view of the bed frame assembly

With a person on each side, lift the bed mechanism, line up the holes of the Bed Assembly with the large bushing hole of the Left and Right Pivot arm (19e & 19f) already installed to your unit, and insert the Pivot Pins (19k) as shown. Secure the pivot pins with a 10mm Bolt (19p).



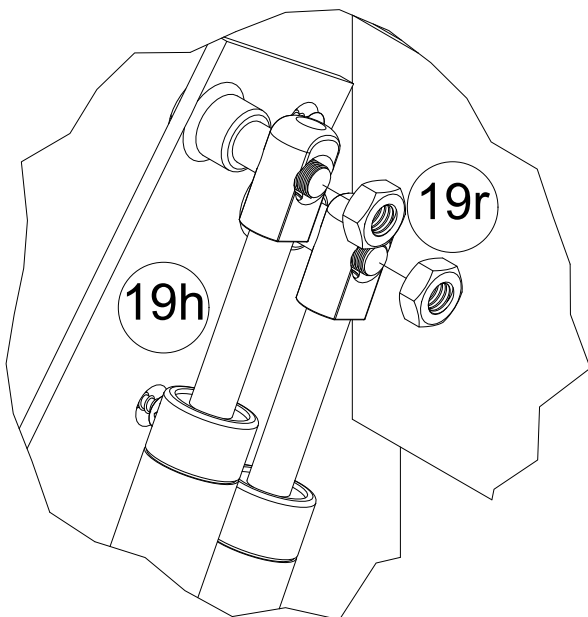
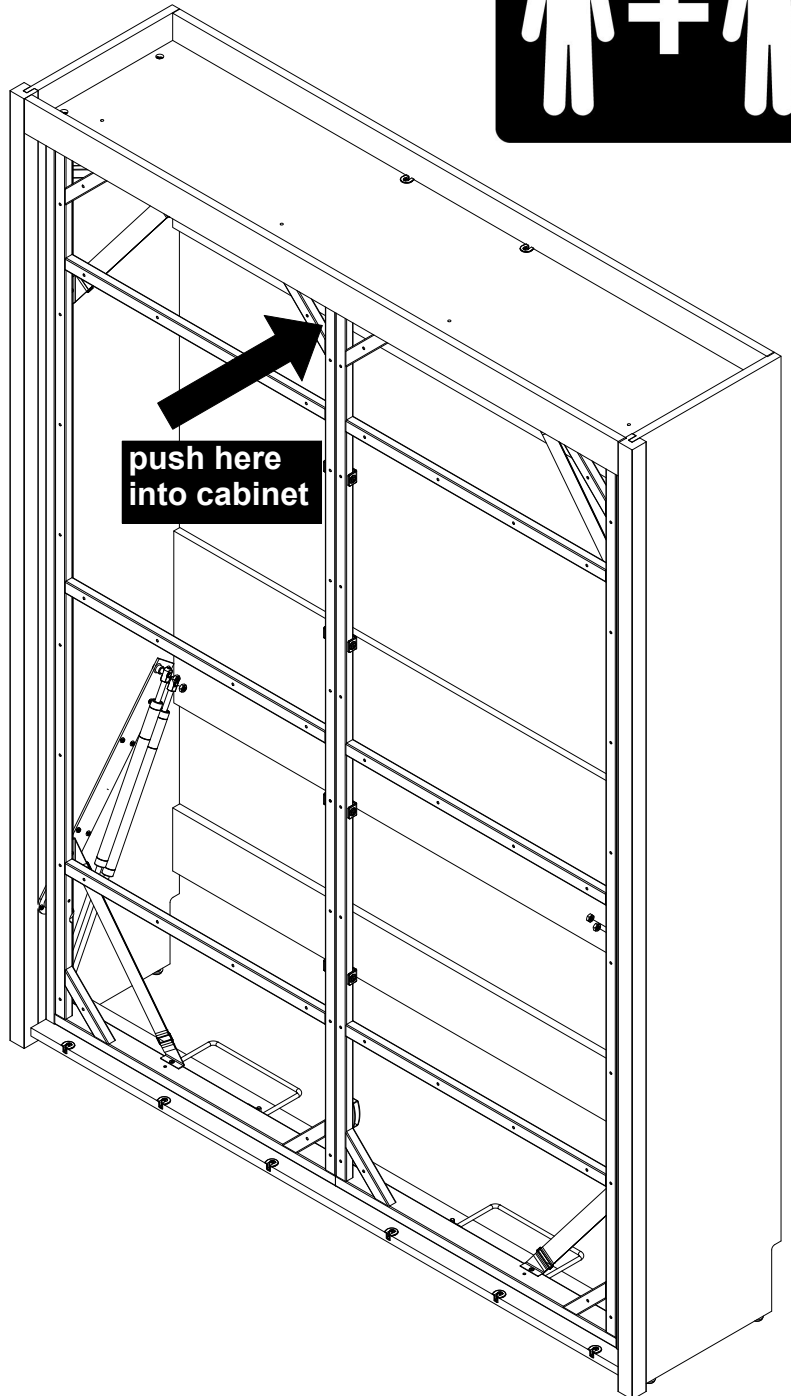
Do not fasten the Pistons to the Left and Right Pivot arms at this point, this will be done on step 26

# STEP 26

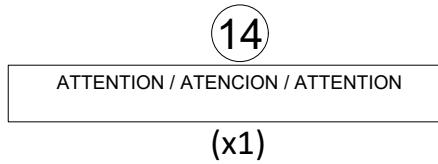
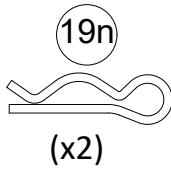
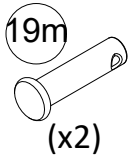


With a person on each side, carefully lift the bed frame in the closed position. While one person pushes the bed frame into the cabinet, passed the 90 degrees, the other person is to engage the "front" Gas Piston (19h) on each side of the unit, to the front pin of the Left and Right Pivot Arm (19e & 19f). Then tightly secure with two Nuts (19r).

To engage the "rear" Gas Piston (19h) on each side of the unit, slowly and carefully wiggle the bed frame back and forth until you can insert the Gas Pistons (19h) onto the rear pin of the Left and Right Pivot Arm (19e & 19f). Then tightly secure with two Nuts (19r).

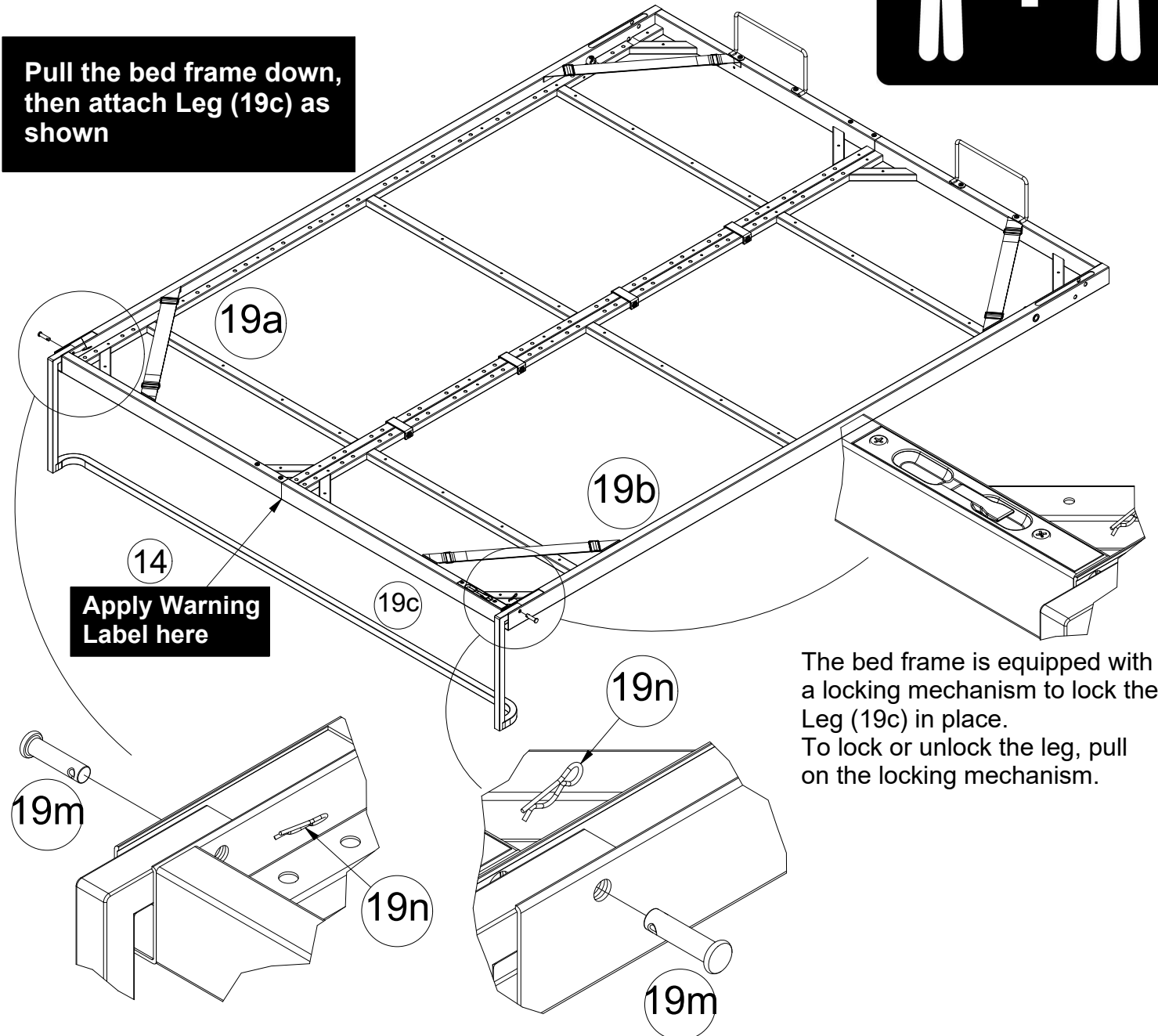


# STEP 27



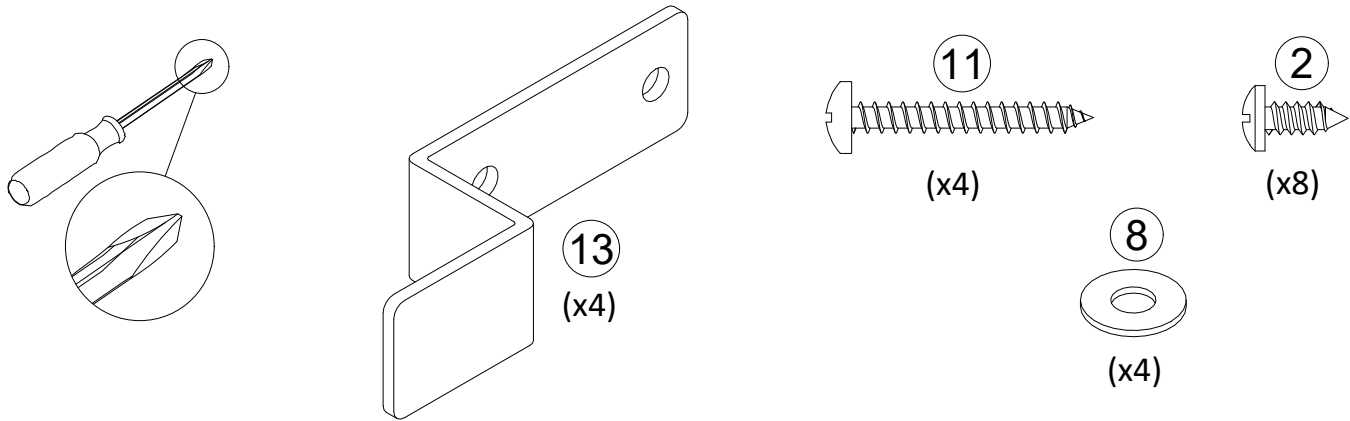
The cabinet is not shown to allow a clear view of the bed frame assembly

Pull the bed frame down, then attach Leg (19c) as shown

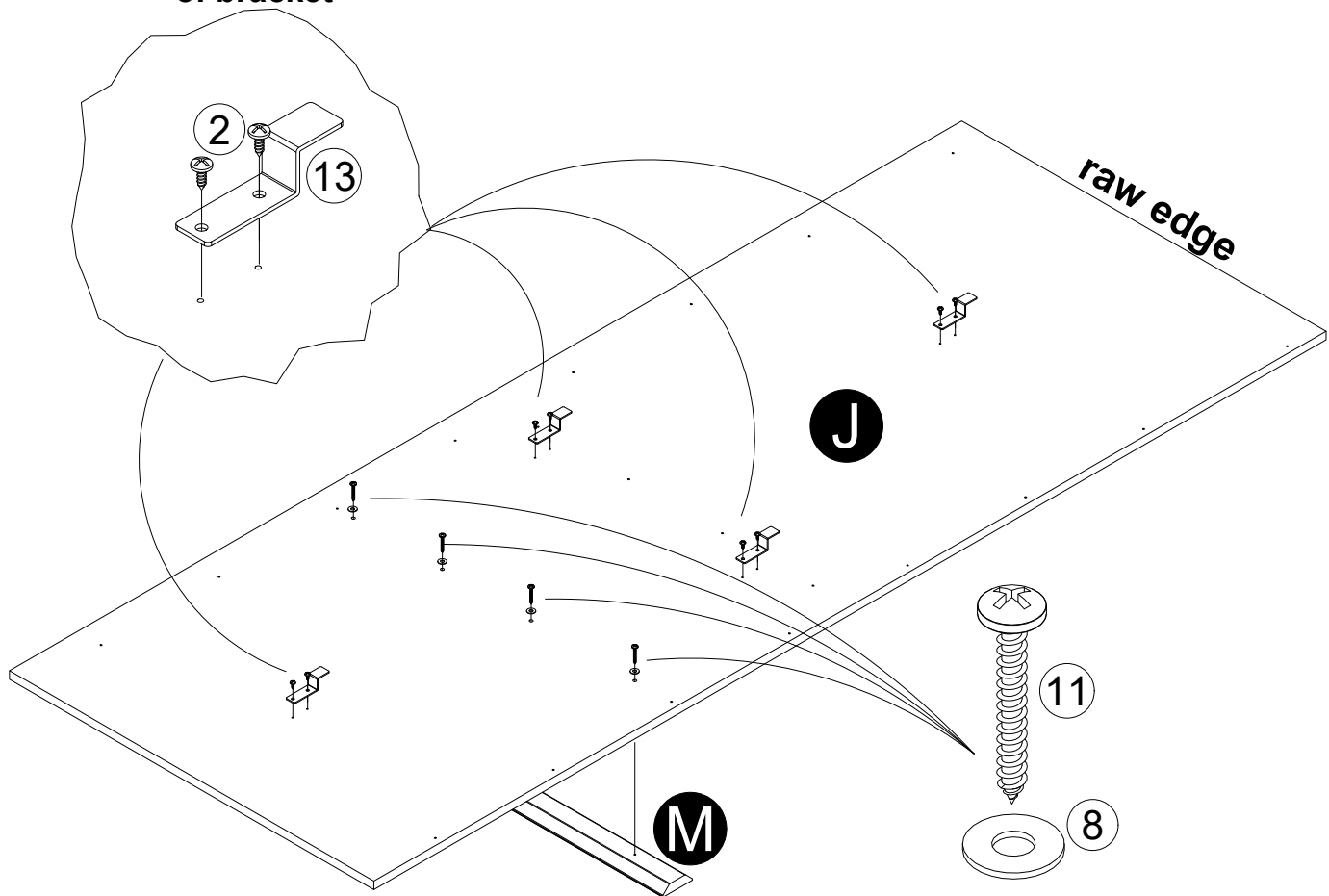


The bed frame is equipped with a locking mechanism to lock the Leg (19c) in place. To lock or unlock the leg, pull on the locking mechanism.

# STEP 28

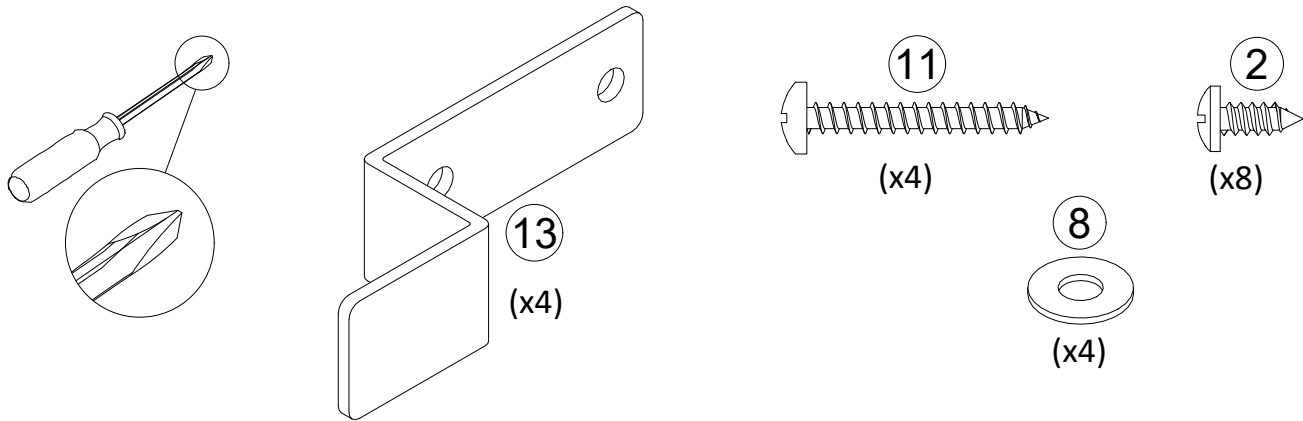


Proper orientation of bracket

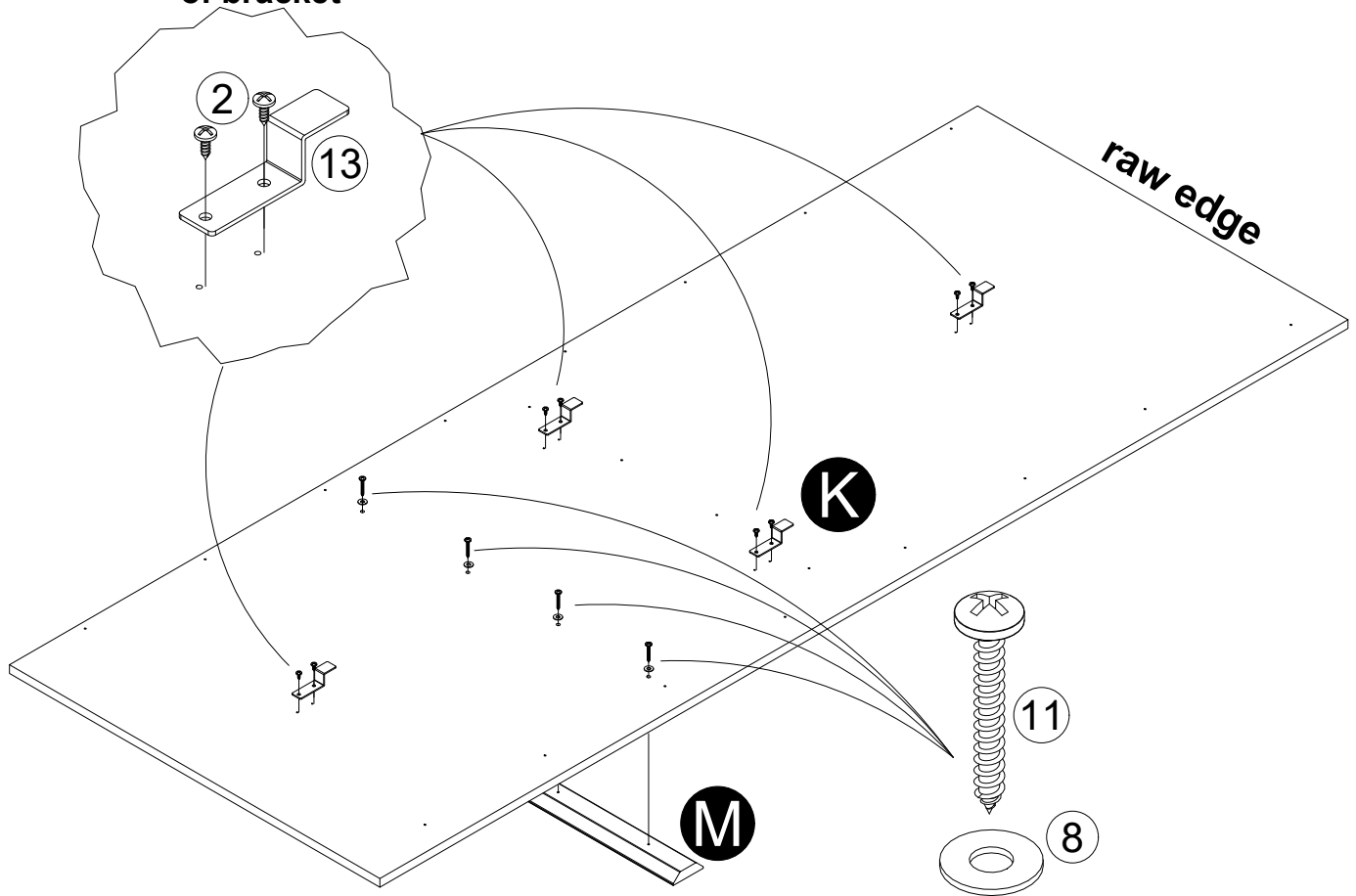


Handle Molding (M) is to be centered on the Left Door Panel (J)

# STEP 29



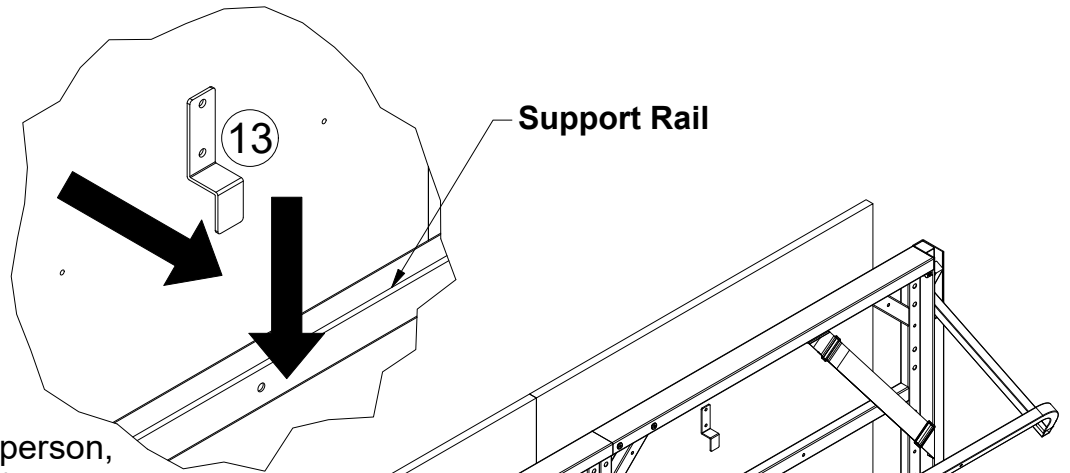
Proper orientation of bracket



Handle Molding (M) is to be centered on the Right Door Panel (K)



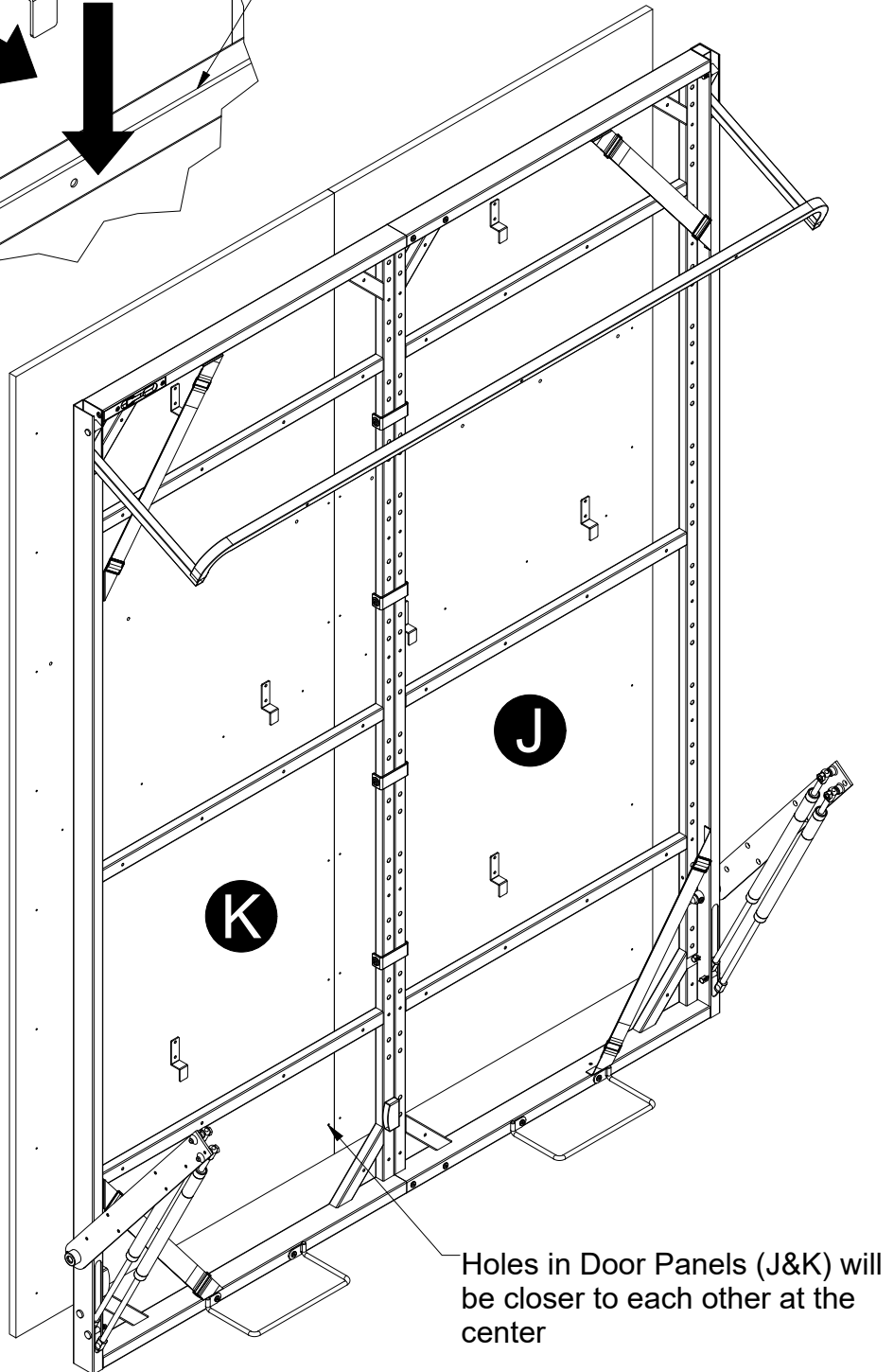
# STEP 30



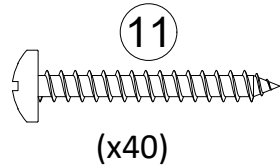
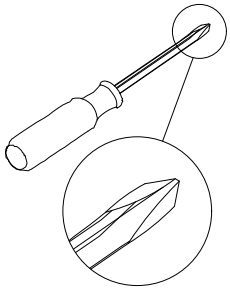
With the help of another person, lift the Left Door Panel (J), position the Brackets (13) over the three Support Rails of the Bed Frame, and drop into position. Repeat the procedure for the Right Door Panel (K).

**IMPORTANT:**  
First, unlock and flip the leg into the cabinet.  
Then, lower the bed frame down a bit to allow clearance to hook Door Panels (J&K).

The cabinet is not shown to allow a clear view of the bed frame assembly

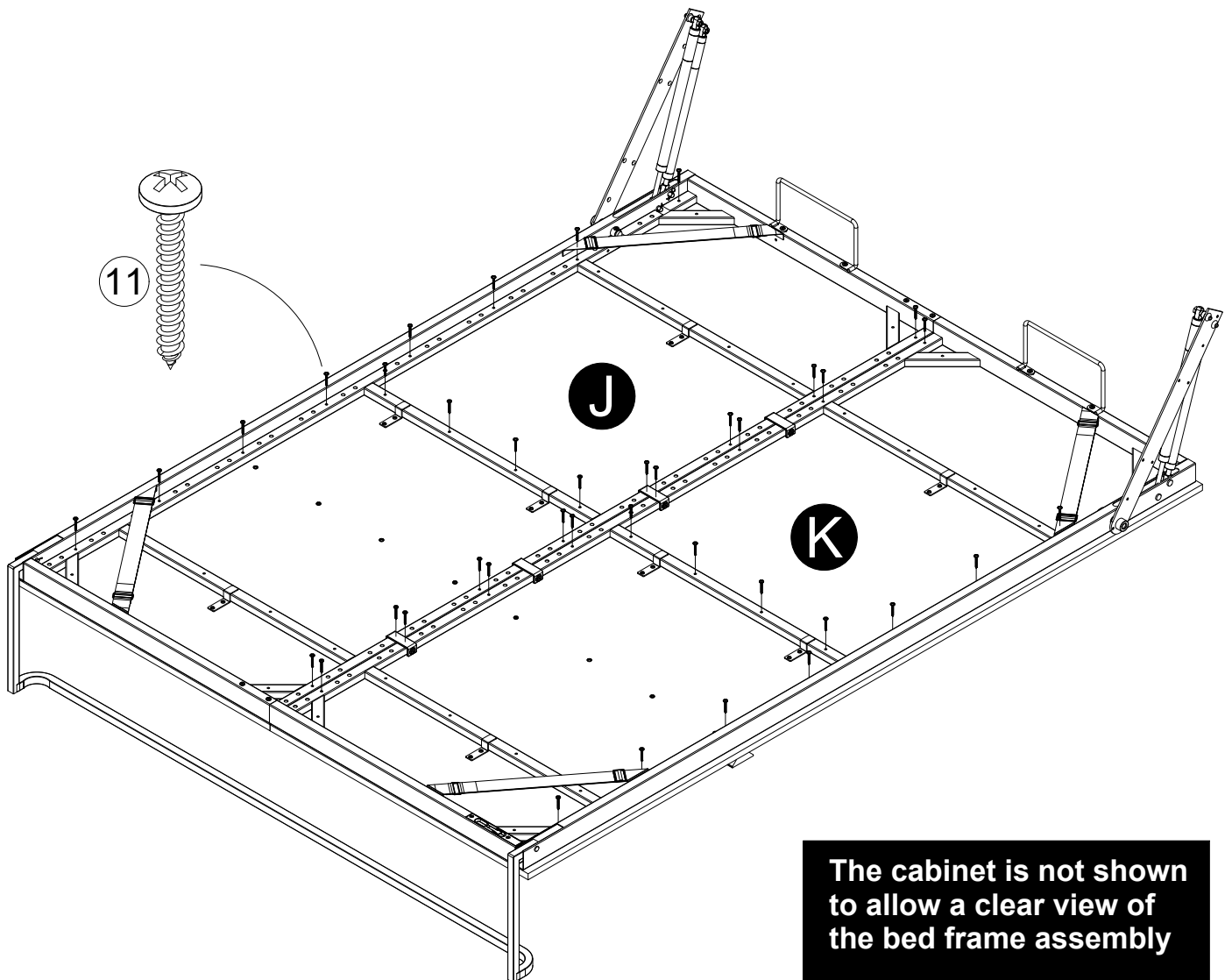


# STEP 31



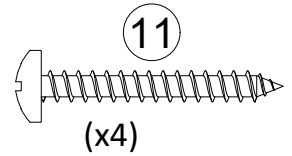
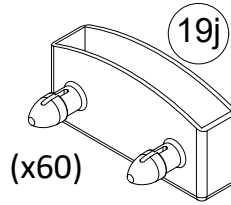
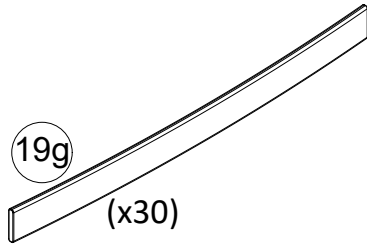
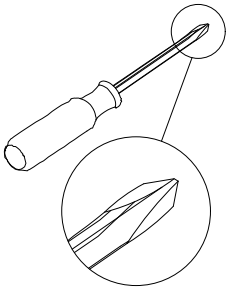
**With the help of another person, carefully pull the bed frame open**

Line up the holes of the bed frame with the holes in Panels (J&K), and fasten with Screws (11).

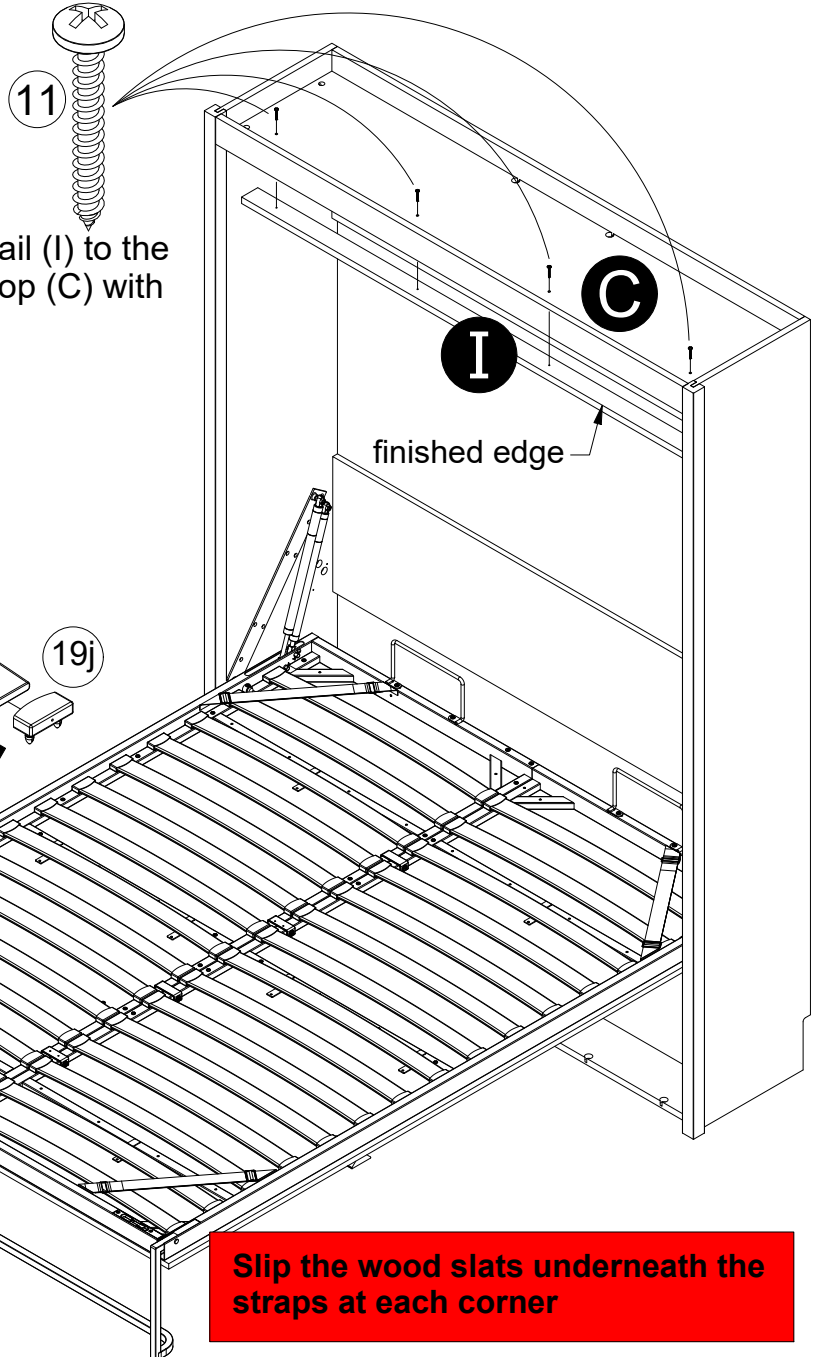


The cabinet is not shown to allow a clear view of the bed frame assembly

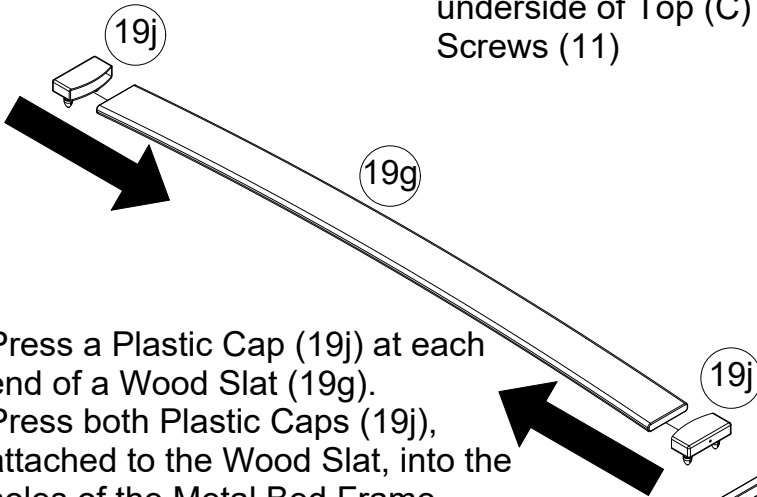
# STEP 32



**A ladder will be required  
Do not lean against the  
top of the unit, it may  
cause sagging**



Fasten Stop Rail (I) to the underside of Top (C) with Screws (11)



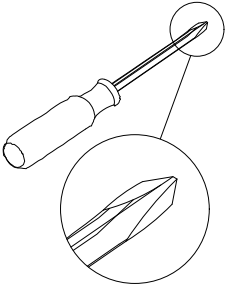
Press a Plastic Cap (19j) at each end of a Wood Slat (19g). Press both Plastic Caps (19j), attached to the Wood Slat, into the holes of the Metal Bed Frame. Repeat the procedure for all 30 wood slats and 60 plastic caps.

**PROFESSIONAL  
INSTALLATION  
REQUIRED**



**Slip the wood slats underneath the straps at each corner**

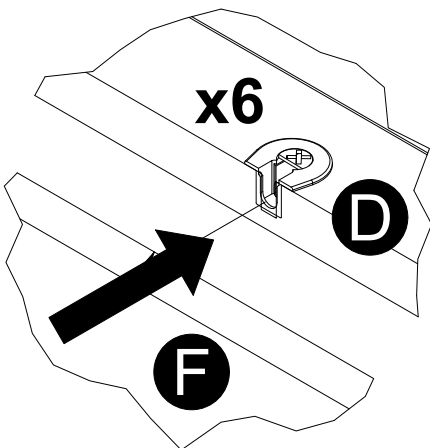
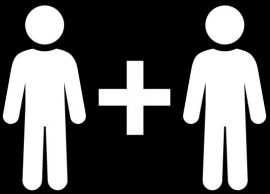
# STEP 33



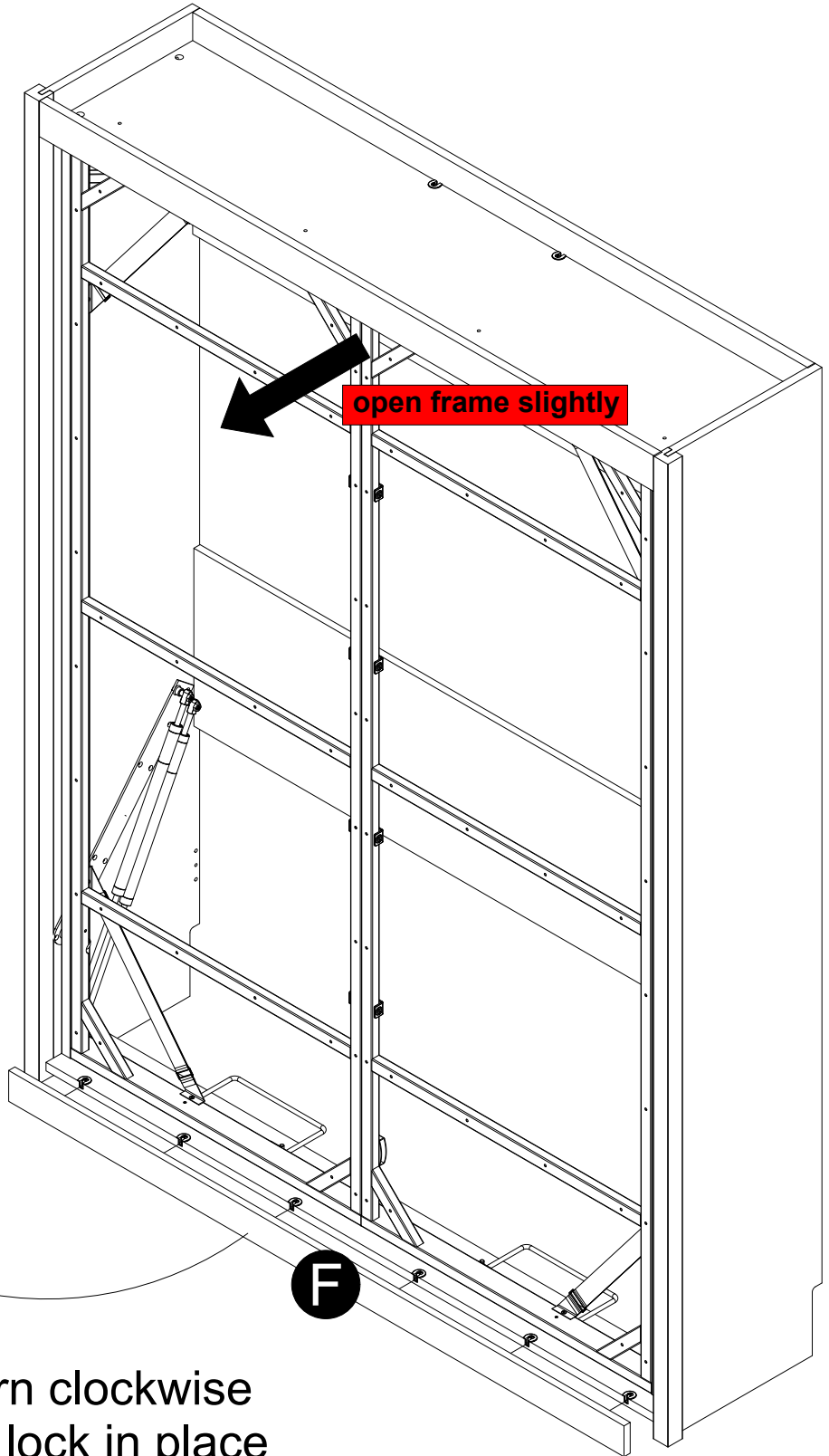
Front of unit is not shown to allow a clear view of the kick and bottom

While one person slightly opens the bed frame and holds it in place, insert the connector bolts installed in the Kick (F) into the connectors of the Bottom (D). Turn the connectors clockwise to lock in place.

**PROFESSIONAL  
INSTALLATION  
REQUIRED**



turn clockwise  
to lock in place



# Maximum Loads

This unit has been designed to support the maximum loads shown. Exceeding these load limits could cause sagging, instability, product collapse, and/or serious injury.

This bed is designed to accommodate a Queen Size Mattress, up to 10" inches thick.

\* with a maximum weight of 70 lbs (31.8 kgs)

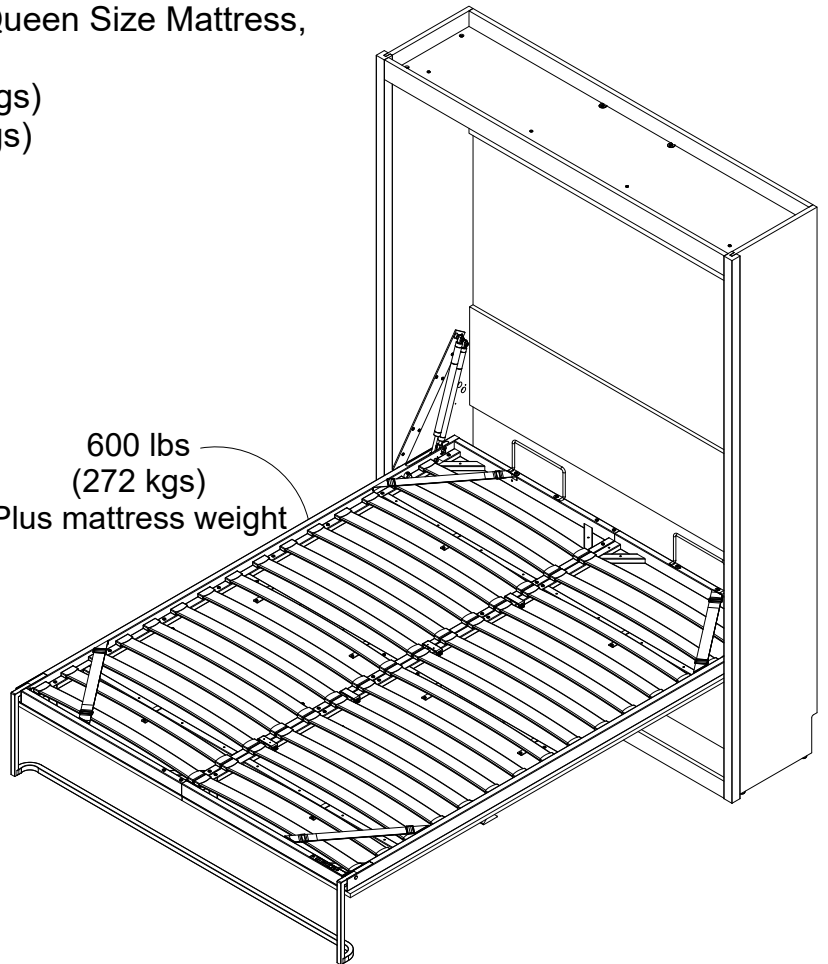
\* with a minimum weight of 35 lbs (15.9 kgs)

After you have finished assembling your wall bed, please keep the assembly manual by placing it under the mattress, in the frame of the mobile part of the bed.

## **Caution**

**Two people may be required to open and close the bed**

600 lbs  
(272 kgs)  
Plus mattress weight



Once you've placed your fitted sheet onto your mattress, secure your mattress with the straps provided in all 4 corners of the bed frame.

Keep the bed closed when not in use. It is recommended not to leave pillows and/or ornamental pillows in place when the bed is closed to preserve the mechanism.

## Register your product to receive the following:



- \* New trend details - sneak peek on what's new
- \* Surveys - have a voice within our community
- \* Exclusive deals and discount codes
- \* Quick and easy replacement part service

To register your product, visit [ameriwoodhome.com](http://ameriwoodhome.com)

## *5 Star Rating*



Visit your local retailer's website, rate your purchased product and leave us some feedback!

*Thank  
You!*

## Cubierta Delantera

Este libro de instrucciones contiene información **IMPORTANTE** de seguridad. Por favor lea y manténgalo para referencia en el futuro.

**No Regrese este producto!** Comuníquese con nuestro amigoso equipo de servicio al cliente para obtener ayuda.

Llámenos al: 1-800-489-3351 (Gratis)

Visitar: [www.ameriwoodhome.com](http://www.ameriwoodhome.com)

## PRECAUCION

Este mueble puede volcarse y causar graves heridas y/o muerte.

Anclar el mueble a un poste de madera en la pared (si esto se requiere).

No Permita que los niños monten el mueble.

\* **ADVERTENCIA** para los niños pequeños - Este producto contiene piezas pequeñas, por favor asegúrese de que se mantengan alejados de los niños pequeños. Los niños menores de 6 años, los niños pequeños y los bebés no deben dormir en esta cama por razones de seguridad. Para evitar lesiones y daños en la unidad, PROHIBIR saltar sobre ella.

\* Este producto está diseñado para uso doméstico y no para uso comercial.

**Recomendamos encarecidamente que un profesional monte su producto.**

## Consejos Útiles (página 2)

- Abra su artículo en el área donde usted planea utilizarlo para evitar levantar y moverlo menos
- Identificar, ordenar y contar las piezas antes de intentar ensamblar
- Asegúrese de que siempre este el punto localizado en la parte superior de bloqueador de leva este volteado hacia borde exterior
- No use químicas fuertes ni limpiadores abrasivos en este artículo
- Nunca empuje, tire ni arrastre los muebles

## Antes de Que Empieces (página 3)

- Lea cuidadosamente cada paso y siga el orden correcto
- Separar y contar todas sus piezas y hardware
- Dése suficiente espacio para el proceso de ensamble
- Tenga las siguientes herramientas: destornillador de cabeza Phillips #2, un martillo, un buscador de vigas, lápiz, taladro con brocas de 1/8" y 1/4".
- Precaución: Si usa un taladro electrónico o un destornillador eléctrico para atornillar, por favor asegúrese que deje de atornillar cuando el tornillo este apretado. Fallar hacer esto puede causar barrer el tornillo.

## Sistema de fijar el bloqueo de leva (página 3)

Este sistema de fijar el bloqueo de leva sera usado en todo el proceso ensamble.

## Página 7

Tenga en cuenta que su unidad puede contener hardware adicional

## **Página 8**

Nota: No se identificarán todas las piezas.

## **Página 9**

Antes de comenzar! INFORMACIÓN MUY IMPORTANTE! Precaución: No utilizar 2 profesionales para este montaje podría resultar en daños a la unidad o lesiones personales.

## **Página 10, 11, 12, 13, 15**

orientación adecuada del bloqueo de la leva  
dale la vuelta  
orientación adecuada del conector

## **Página 17**

el brazo de pivote izquierdo (19e) se encuentra en la caja del mecanismo de cama de pared 9632096COM

## **Página 19**

el brazo de pivote derecho (19f) se encuentra en la caja del mecanismo de cama de pared 9632096COM

## **Página 20, 21**

gire en el sentido de las agujas del reloj para bloquear en su lugar  
borde crudo

## **Página 25**

coloque la unidad sobre su frente  
Golpee los bujes (12) con un martillo  
Atornille los deslizadores (6) completamente

## **Página 26**

Los siguientes pasos son ensamblar su unidad a la pared  
Los siguientes pasos son ensamblar su unidad en la pared:  
La unidad ensamblada DEBE estar a escuadra en altura, ancho y profundidad para funcionar correctamente.  
La unidad ensamblada DEBE colocarse plana contra la pared.  
La unidad ensamblada DEBE atornillarse a 3 montantes de pared DIFERENTES en la parte superior e inferior para mayor seguridad.  
Los tornillos proporcionados son para paredes de yeso y montantes de madera. Si las paredes son de mampostería, hormigón u otros materiales: utilice el hardware adecuado para sujetar firmemente su unidad a la pared.  
NO use anclajes de pared para fijar su unidad a la pared.  
¡No se sugiere la reubicación después del montaje



## **Página 27**

Coloque su unidad al ras contra la pared

Hay muescas en la parte posterior de su unidad.

Estas muescas deben encajar alrededor del zócalo de la pared.

Si su zócalo es más alto o más grueso que las muescas provistas en la unidad, deberá quitar el zócalo, cortarlo para que quepa en ambos lados de su unidad y luego volver a fijarlo a la pared.

## **Página 28**

La unidad ensamblada DEBE estar nivelada en altura, ancho y profundidad para funcionar correctamente.

Si es necesario, desatornille los deslizadores en sentido antihorario según sea necesario en las cuatro esquinas hasta que su unidad esté nivelada en todas las direcciones.

Se requerirá una escalera

No se apoye contra la parte superior de la unidad, puede causar flacidez

## **Página 29**

Para localizar los montantes en la pared, sigue estos pasos:

Utiliza un detector de montantes para encontrar las ubicaciones de los montantes en la pared.

Marca las ubicaciones de los montantes en la superficie superior del Panel Posterior Superior (G) con un lápiz.

Utilizando un nivel, lleva las ubicaciones de los montantes hacia abajo hasta el Travesaño Inferior (L) y marca las ubicaciones con un lápiz.

Asegúrate de localizar al menos 3 montantes DIFERENTES en la dirección horizontal, aunque 4 sería aún mejor.

Necesitarás una escalera para alcanzar las partes superiores de la pared.

No te apoyes contra la parte superior de la unidad, ya que podría provocar que se hunda.

## **Página 30**

Primero, asegúrese de que su unidad aún esté nivelada en todas las direcciones.

Taladre orificios guía de 1/8 "(3 mm) a través del panel posterior superior (G) y el larguero inferior (L) en las marcas de ubicación de los postes. Fije la unidad a los montantes de la pared con los tornillos (3).

Se requerirá una escalera

No se apoye contra la parte superior de la unidad, puede causar flacidez

## **Página 31**

Los siguientes pasos son ensamblar el marco y el mecanismo de la cama de metal

Estas piezas se encuentran en la caja de cartón del mecanismo de cama mural #9632096COM

## **Página 32**

presione en cada agujero

## **Página 35**

El extremo "largo" de ambos pistones debe fijarse aquí.

Los extremos de ambos pistones deben insertarse en la ranura del marco de la cama cuando se ensamblan.

## **Página 36**

Ya fijado a su unidad

Con una persona a cada lado, levante el mecanismo de la cama, alinee los orificios del conjunto de la cama con el orificio del buje grande del brazo de pivote izquierdo y derecho (19e y 19f) ya instalado en su unidad e inserte los pasadores de pivote (19k) como se muestra.

Asegure los pasadores de pivote con un Perno de 10mm (19p).

El gabinete no se muestra para permitir una vista clara del ensamblaje del marco de la cama No sujete los pistones a los brazos de pivote izquierdo y derecho en este punto, esto se hará en el paso 26

## **Página 37**

Con una persona a cada lado, levante con cuidado el marco de la cama en la posición cerrada. Mientras una persona empuja el armazón de la cama dentro del gabinete, pasando los 90 grados, la otra persona debe enganchar el pistón de gas delantero (19h) a cada lado de la unidad, al pasador delantero del brazo de pivote izquierdo y derecho (19e y 19f). Luego asegúrelo firmemente con dos tuercas (19r). Para acoplar el pistón de gas trasero (19h) a cada lado de la unidad, mueva lenta y cuidadosamente el marco de la cama hacia adelante y hacia atrás hasta que pueda insertar los pistones de gas (19h) en el pasador trasero del brazo de pivote izquierdo y derecho (19e y 19f). Luego asegúrelo firmemente con dos tuercas (19r).

Empuje aquí en el gabinete

## **Página 38**

El gabinete no se muestra para permitir una vista clara del ensamblaje del marco de la cama

Jale el marco de la cama hacia abajo, luego conecte la Pata (19c) como se muestra

El armazón de la cama está equipado con un mecanismo de bloqueo para bloquear la Pata (19c) en su lugar. Para bloquear o desbloquear la pierna, tire del mecanismo de bloqueo.

Aplicar la etiqueta de advertencia aquí

## **Página 39**

Orientación adecuada del soporte

borde crudo

La moldura de la manija (M) debe estar centrada en el panel de la puerta izquierda (J)

## **Página 40**

Orientación adecuada del soporte

borde crudo

La moldura de la manija (M) debe estar centrada en el panel de la puerta derecha (K)

## **Página 41**

Carril de soporte

Con la ayuda de otra persona, levante el panel de la puerta izquierda (J), coloque los soportes (13) sobre los tres rieles de soporte del marco de la cama y colóquelos en su posición.

Repita el procedimiento para el panel de la puerta derecha (K).

**IMPORTANTE:** Primero, desbloquee y coloque la pata en el gabinete. Luego, baje un poco el marco de la cama para dejar espacio para enganchar los paneles de la puerta (J y K).

El gabinete no se muestra para permitir una vista clara del ensamblaje del marco de la cama

Los agujeros en los paneles de las puertas (J y K) estarán más cerca entre sí en el centro

## **Página 42**

Con la ayuda de otra persona, abra con cuidado el marco de la cama.

Alinee los orificios del armazón de la cama con los orificios de los paneles (J y K) y fíjelos con tornillos (11).

El gabinete no se muestra para permitir una vista clara del ensamblaje del marco de la cama

## **Página 43**

Se requerirá una escalera

No se apoye contra la parte superior de la unidad, puede causar flacidez

Sujete el riel de tope (I) a la parte inferior de la parte superior (C) con tornillos (11)

Presione una tapa de plástico (19j) en cada extremo de un listón de madera (19g).

Presione ambas tapas de plástico (19j), unidas al listón de madera, en los orificios del marco de la cama de metal.

Repita el procedimiento para las 30 tablillas de madera y las 60 tapas de plástico.

Deslice los listones de madera debajo de las correas en cada esquina.

## **Página 44**

marco abierto ligeramente

La parte delantera de la unidad no se muestra para permitir una vista clara de la patada y el fondo.

Mientras una persona abre ligeramente el armazón de la cama y lo mantiene en su lugar, inserte los

pernos del conector instalados en la patada (F) en los conectores de la parte inferior (D). Gire los

conectores en el sentido de las agujas del reloj para bloquearlos en su lugar.

Gire en sentido horario para bloquear en su lugar

## Página 45

### CARGA MAXIMA

Esta unidad ha sido diseñada para soportar la carga máxima anotada. El exceder estos límites puede causar inestabilidad, colapsarse y/o causar serias lesiones.

Esta cama está diseñada para acomodar un colchón tamaño Queen, de hasta 10" pulgadas de grosor.

\* con un peso máximo de 70 libras (31,8 kgs)

\* con un peso mínimo de 35 libras (15.9 kgs)

Una vez que haya terminado de montar su cama abatible, conserve el manual de montaje colocándolo debajo del colchón, en el marco de la parte móvil de la cama.

Una vez que haya colocado su sábana ajustable en su colchón, asegure su colchón con las correas provistas en las 4 esquinas del marco de la cama.

Mantenga la cama cerrada cuando no esté en uso.

Se recomienda no dejar almohadas y / o almohadas ornamentales en su lugar cuando la cama está cerrada para preservar el mecanismo.

Más peso del colchón

Precaución

Es posible que se necesiten dos personas para abrir y cerrar la cama.

## Página 46

Registre su producto para recibir lo siguiente:

\* Detalles de nuevas tendencias - Vistazo a lo nuevo

\* Encuestas - aloc su voz entre su comunidad

\* Códigos de ofertas y descuentos exclusivos

\* Fácil y rápido servicio de partes de remplace

Para registrar su producto, visite [ameriwoodhome.com](http://ameriwoodhome.com)

Clasificación de 5 estrellas

Visite el sitio web de su tienda local, califique su comprado y denos sus comentarios!

Gracias

## Couverture Avant

CE LIVRET D'INSTRUCTION CONTIENT DES INFORMATIONS **IMPORTANTES** SUR LA SÉCURITÉ. VEUILLEZ LIRE ET GARDER POUR UNE RÉFÉRENCE FUTURE

**Ne retournez pas ce produit!** Contactez notre équipe de service à la clientèle amicale d'abord pour obtenir de l'aide.

**Appelez-nous:** 1-800-489-3351 (sans frais)

**Visitez:** [www.ameriwoodhome.com](http://www.ameriwoodhome.com)

Le meuble peut basculer et causer des blessures graves ou la mort.

Ancrer le meuble à une planche murale dans le mur (si indiqué).

Ne laissez pas les enfants grimper sur le meuble.

### ATTENTION:

\* **AVERTISSEMENT POUR LES JEUNES ENFANTS** - Ce produit contient de petits composants, s'il vous plaît veiller à ce qu'ils sont tenus à l'écart des petits enfants. Les enfants de moins de 6 ans, les petits nourrissons et les bébés ne doivent pas dormir sur ce lit pour des raisons de sécurité. Pour éviter les blessures et les dommages à cet appareil, **INTERDIRE** sautant sur elle.

\* Ce produit est conçu pour un usage domestique et non destiné à un usage commercial.

**Nous vous recommandons vivement de faire assembler votre produit par un professionnel**

### Astuces Utiles (page 2)

-Ouvrez votre article dans la zone que vous prévoyez de le garder pour moins de lavage lourd

-Identifier, trier et compter les pièces avant d'essayer d'assembler

-Assurez-vous toujours de faire face la pointe situé sur le haut de la Serrure de Came vers le bord extérieur

-N'utilisez pas de produits chimiques agressifs ou de nettoyeurs abrasifs sur cet appareil

-Ne jamais pousser, tirer, ou faire glisser votre meuble

### Avant de Commencer (page 3)

-Lisez attentivement chaque étape et suivez le bon ordre

-Séparez et comptez toutes vos pièces et matériaux

-Donnez-vous suffisamment de place pour l'assemblage

-Avoir les outils suivants: tournevis à tête Phillips #2, Marteau, Niveau, Localisateur de Panneau, Crayon, perceuse avec des mèches de 1/8" et 1/4"

-Attention: Si vous utilisez une perceuse électrique ou un tournevis électrique pour visser, veillez à ralentir et arrêter lorsque la vis est bien serrée. Le non-respect de cette consigne peut endommager la vis.

### Système de Fixation de Came (page 3)

Ce Système de Fixation de Came sera utilisé tout au long de l'assemblage

### Page 7

Notez que votre appareil peut contenir du matériel supplémentaire

## Page 8

Remarque: les pièces ne seront pas toutes identifiées.

## Page 9

Avant de commencer ! INFORMATION TRÈS IMPORTANTE ! Précaution : Ne pas utiliser 2 professionnels pour ce montage pourrait entraîner des dommages à l'unité ou des blessures personnelles.

## Page 10, 11, 12, 13, 15

bonne orientation du verrou à came

retourner

bonne orientation du connecteur

## Page 17

Le Bras Pivotant Gauche (19e) est situé dans le  
9632096COM Boîte de mécanisme de lit escamotable

## Page 19

Le Bras Pivotant Droit (19f) est situé dans le  
9632096COM Boîte de mécanisme de lit escamotable

## Page 20, 21

tourner dans le sens des aiguilles d'une montre pour verrouiller en place  
bord brut

## Page 25

Posez l'appareil sur son devant

Taper les douilles (12) avec un marteau

Visser complètement les sous-pattes (6)

## Page 26

Les prochaines étapes consistent à assembler votre unité au mur. L'unité assemblée DOIT être parfaitement d'équerre en hauteur, en largeur et en profondeur pour fonctionner correctement. L'unité assemblée DOIT être placée à plat contre le mur.

L'unité assemblée DOIT être vissée dans 3 montants de mur DIFFÉRENTS en haut et en bas pour des raisons de sécurité.

Les vis fournies sont destinées aux cloisons sèches et aux montants en bois. Si les murs sont en maçonnerie, en béton ou dans d'autres matériaux de mur : utilisez des fixations appropriées pour attacher solidement votre unité au mur.

N'utilisez PAS de chevilles murales pour fixer votre unité au mur. Le déplacement n'est pas recommandé après l'assemblage ! .

## Page 27

Placez votre appareil contre le mur

Il y a des encoches à l'arrière de votre appareil.

Ces encoches doivent s'adapter autour de la plinthe sur votre mur.

Si votre plinthe est plus haute ou plus épaisse que les encoches fournies sur l'unité, vous devrez retirer la plinthe, la couper pour qu'elle s'adapte des deux côtés de votre unité, puis la remettre au mur.

## Page 28

L'unité assemblée DOIT affleurer la hauteur, la largeur et la profondeur pour fonctionner correctement

Une échelle sera nécessaire

Ne vous appuyez pas contre le dessus de l'appareil, cela pourrait provoquer un affaissement

Si nécessaire, dévissez les sous-pattes dans le sens antihoraire si nécessaire dans les 4 coins jusqu'à ce que votre appareil soit de niveau dans toutes les directions

## Page 29

Localisez les montants dans le mur à l'aide d'un détecteur de montants. À l'aide d'un crayon, marquez les emplacements des montants sur la surface supérieure du panneau arrière supérieur (G). À l'aide d'un niveau, reportez les emplacements des montants sur le montant inférieur (L) et, avec un crayon, marquez les emplacements des montants. Vous devez localiser au moins 3 montants DIFFÉRENTS dans la direction horizontale, mais 4 est préférable. Montants de mur. Une échelle sera nécessaire. Ne vous appuyez pas contre le haut de l'unité, cela pourrait provoquer un affaissement.

## Page 30

Tout d'abord, assurez-vous que votre appareil est toujours de niveau dans toutes les directions. Percez des avant-trous de 3mm (1/8 po) à travers le panneau arrière supérieur (G) et le support inférieur (L) au niveau des repères de localisation des montants.

Fixez l'unité aux montants du mur avec les vis (3).

Une échelle sera nécessaire

Ne vous appuyez pas contre le dessus de l'appareil, cela pourrait provoquer un affaissement

## Page 31

Les prochaines étapes consistent à assembler le cadre et le mécanisme du lit en métal

Ces pièces se trouvent dans le carton du mécanisme de lit escamotable #9632096COM

## Page 32

pressez dans chaque trou

## Page 35

L'extrémité "longue" des deux pistons doit être fixée ici

Les extrémités des deux pistons doivent être insérées dans la rainure du cadre de lit une fois assemblées.

## Page 36

Déjà attaché à votre appareil

Avec une personne de chaque côté, soulevez le mécanisme du lit, alignez les trous de l'assemblage du lit avec le grand trou de douille des bras de pivot gauche et droit (19e et 19f) déjà installés sur votre unité, et insérez les broches de pivot (19k) comme montré. Fixez les axes de pivot avec un boulon de 10mm (19p).

L'armoire n'est pas illustrée pour permettre une vue dégagée de l'ensemble du cadre de lit

Ne fixez pas les pistons aux bras de pivot gauche et droit à ce stade, cela sera fait à l'étape 26

## Page 37

Avec une personne de chaque côté, soulevez délicatement le cadre de lit en position fermée.

Pendant qu'une personne pousse le cadre du lit dans l'armoire, passé les 90 degrés, l'autre personne doit engager le piston à gaz avant (19h) de chaque côté de l'unité, à la broche avant des bras de pivot gauche et droit (19e et 19f). Ensuite, fixez fermement avec deux écrous (19r).

Pour engager le piston à gaz arrière (19h) de chaque côté de l'unité, agitez lentement et soigneusement le cadre de lit d'avant en arrière jusqu'à ce que vous puissiez insérer les pistons à gaz (19h) sur la goupille arrière des bras de pivot gauche et droit (19e & 19f). Ensuite, fixez fermement avec deux écrous (19r).

Poussez ici dans l'armoire

## Page 38

L'armoire n'est pas illustrée pour permettre une vue dégagée de l'ensemble du cadre de lit

Tirez le cadre de lit vers le bas, puis fixez la jambe (19c) comme illustré

Le cadre de lit est équipé d'un mécanisme de verrouillage pour verrouiller la jambe (19c) en place.

Pour verrouiller ou déverrouiller le pied, tirez sur le mécanisme de verrouillage.

Appliquez l'étiquette d'avertissement ici

## Page 39

Bonne orientation du support

bord brut

La moulure de poignée (M) doit être centrée sur le panneau de porte gauche (J)

## Page 40

Bonne orientation du support

bord brut

La moulure de poignée (M) doit être centrée sur le panneau de porte droit (K)



## Page 41

Rail de support

Avec l'aide d'une autre personne, soulevez le panneau de porte gauche (J), positionnez les supports (13) sur les trois rails de support du cadre de lit et mettez-le en place.

Répétez la procédure pour le panneau de porte droit (K).

**IMPORTANT:**

Tout d'abord, déverrouillez et retournez le pied dans l'armoire.

Ensuite, abaissez un peu le cadre du lit pour permettre le dégagement d'accrocher les panneaux de porte (J et K).

L'armoire n'est pas illustrée pour permettre une vue dégagée de l'ensemble du cadre de lit

Les trous dans les panneaux de porte (J et K) seront plus proches les uns des autres au centre

## Page 42

Avec l'aide d'une autre personne, ouvrez délicatement le cadre de lit

Alignez les trous du cadre de lit avec les trous des panneaux (J et K) et fixez avec les vis (11).

L'armoire n'est pas illustrée pour permettre une vue dégagée de l'ensemble du cadre de lit

## Page 43

Une échelle sera nécessaire

Ne vous appuyez pas contre le dessus de l'appareil, cela pourrait provoquer un affaissement

Fixez le rail d'arrêt (I) sur la face inférieure du dessus (C) avec les vis (11)

Appuyez sur un capuchon en plastique (19j) à chaque extrémité d'une latte en bois (19g).

Enfoncez les deux capuchons en plastique (19j), attachés à la lamelle en bois, dans les trous du cadre de lit en métal.

Répétez la procédure pour les 30 lattes de bois et 60 capuchons en plastique.

bord fini

Glissez les lattes de bois sous les sangles à chaque coin

## Page 44

cadre légèrement ouvert

L'avant de l'appareil n'est pas illustré pour permettre une vue dégagée sur le support et le bas

Pendant qu'une personne ouvre légèrement le cadre du lit et le maintient en place, insérez les boulons de connexion installés dans le support (F) dans les connecteurs du bas (D).

Tournez les connecteurs dans le sens des aiguilles d'une montre pour les verrouiller en place.

Tournez dans le sens des aiguilles d'une montre pour verrouiller en place

## Page 45

### CHARGES MAXIMALES

Ce meuble a été conçu pour supporter les charges maximales indiquées. En excédant ces limites de charge, le meuble pourrait devenir instable, s'effondrer, et/ou causer des blessures graves.

Ce lit est conçu pour accueillir un matelas queen, jusqu'à 10 pouces d'épaisseur.

\* avec un poids maximum de 70 livres (31,8 kg)

\* avec un poids minimum de 35 livres (15,9 kg)

Après avoir fini d'assembler votre lit escamotable, veuillez conserver le manuel de montage en le plaçant sous le matelas, dans le cadre de la partie mobile du lit.

Une fois que vous avez placé votre drap housse sur votre matelas, fixez votre matelas avec les sangles fournies dans les 4 coins du cadre de lit.

Gardez le lit fermé lorsqu'il n'est pas utilisé.

Il est recommandé de ne pas laisser les oreillers et / ou oreillers décoratifs en place lorsque le lit est fermé pour préserver le mécanisme.

Plus le poids du matelas

Avertissement

Deux personnes peuvent être nécessaires pour ouvrir et fermer le lit

## Page 46

Enregistrez votre produit pour recevoir les éléments suivantes:

\* Détails sur les nouvelles tendances - un aperçu sur les nouveautés

\* Sondages - avoir une voix au sein de notre communauté

\* Offres exclusives et codes promo

\* Service de pièces de rechange rapide et facile

Pour enregistrer votre produit, visitez [ameriwoodhome.com](http://ameriwoodhome.com)

5 Étoiles

Visitez le site Web de votre détaillant local, évaluez votre produit acheté et laissez-nous quelques commentaires !

Merci