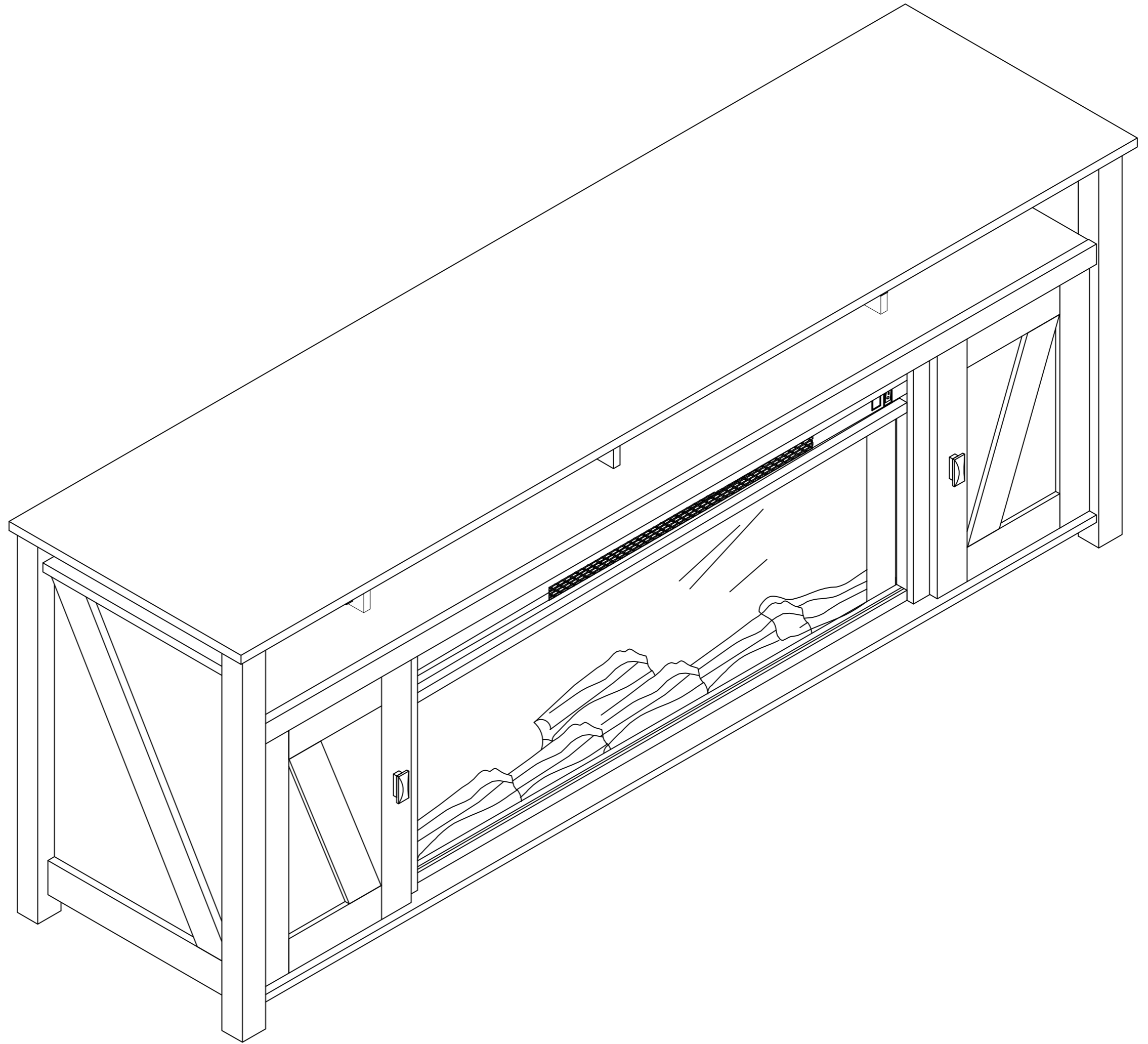


# 6387215COM FP Console for 85" TVs



Date of Purchase \_\_\_ / \_\_\_ / \_\_\_  
Lot Number:

**B346387215COM00SF**



THIS INSTRUCTION BOOKLET CONTAINS **IMPORTANT** SAFETY INFORMATION. PLEASE READ AND KEEP FOR FUTURE REFERENCE.

### Do Not Return This Product!

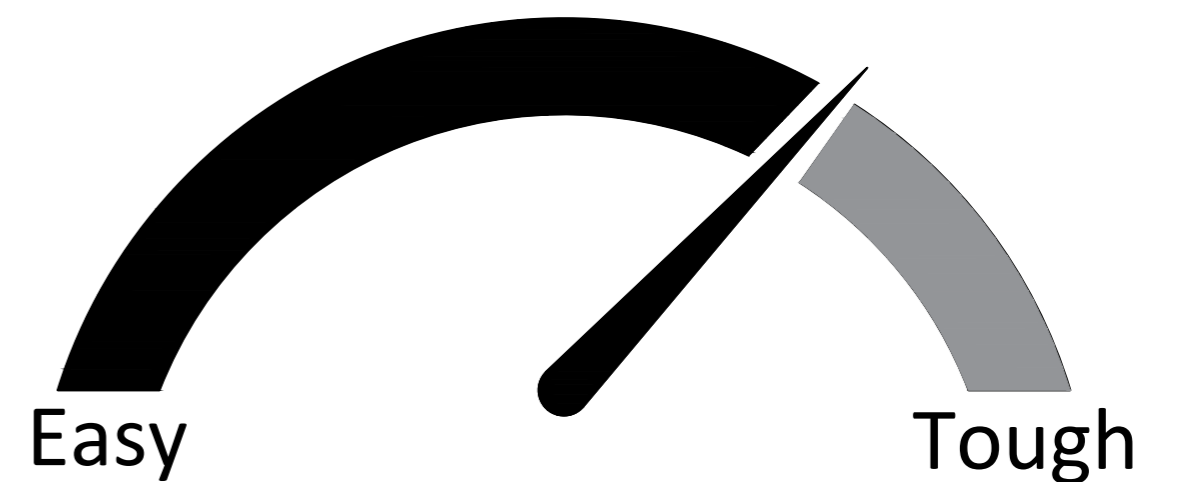
Contact our customer service team for help first.

**Call:** 1-800-489-3351 (toll free)

**Visit:** [www.ameriwoodhome.com](http://www.ameriwoodhome.com)

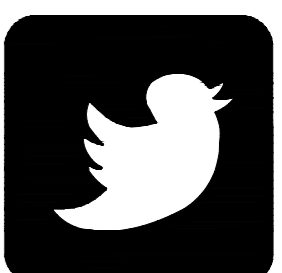
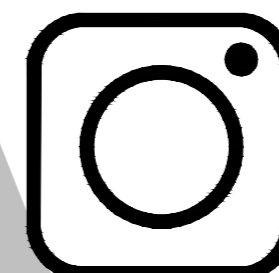
## **WARNING**

- Unit can tip over causing severe injury or death.
- Anchor unit to stud in wall (if instructed to).
- Do Not allow children to climb on unit.
- Put heavy items on lower shelves or drawers.



Easy Tough  
Assembly Difficulty Meter  
People needed for assembly: 2

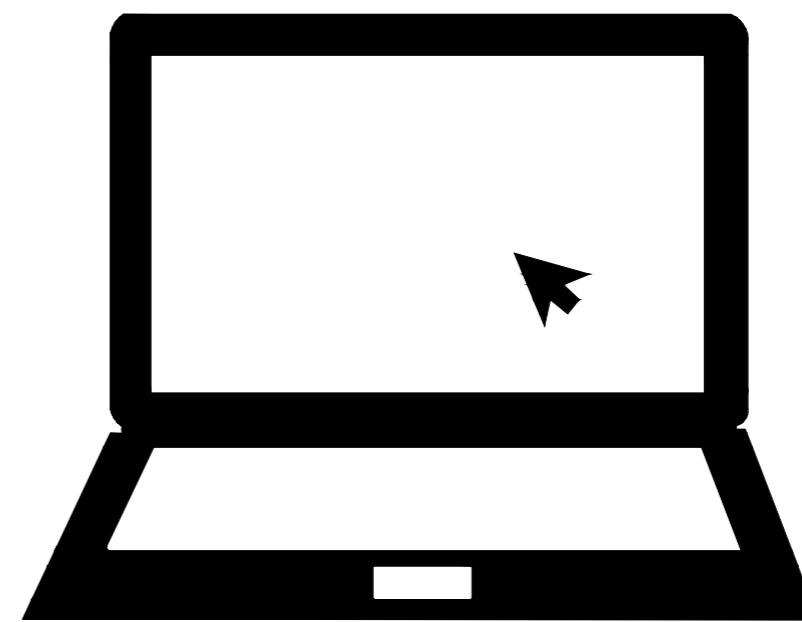
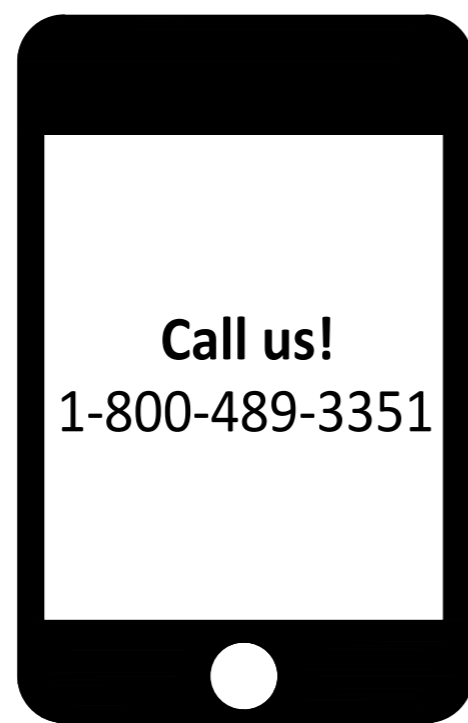
Follow Ameriwood Home



# Contact Us!

## Do NOT return this product!

Contact our friendly customer service team first for help.

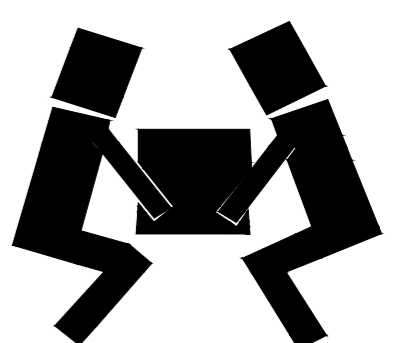
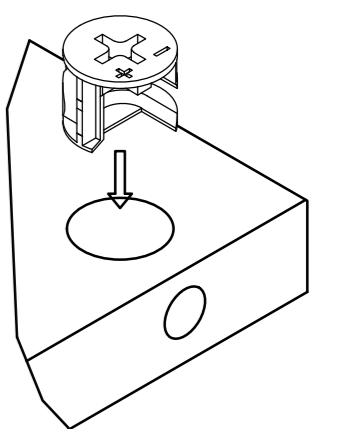
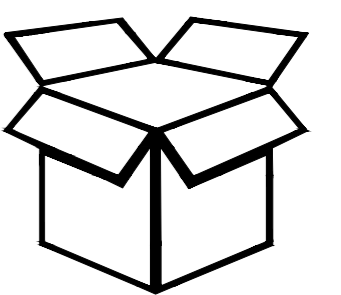


Visit [ameriwoodhome.com](http://ameriwoodhome.com)

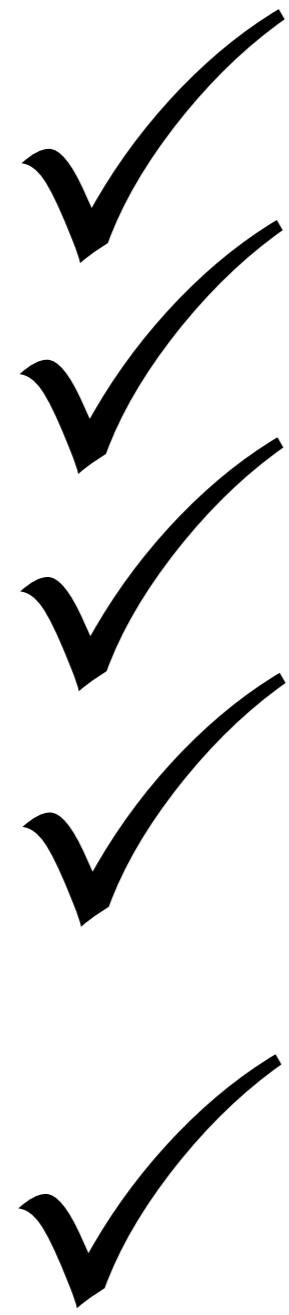
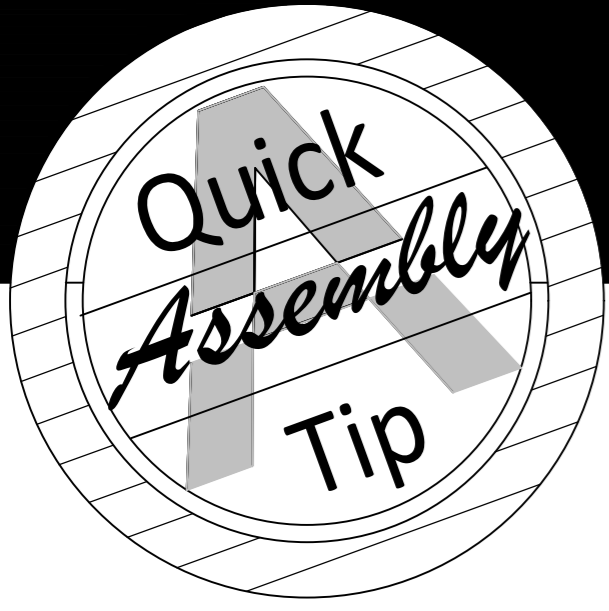
# Helpful Hints

PEOPLE NEEDED FOR ASSEMBLY: 2

- Open your item in the area you plan to keep it to avoid excessive heavy lifting.
- Identify, sort and count the parts before attempting assembly.
- Make sure to always face the point between (+) & (-) on the top of the Cam Lock towards the outer edge.
- Back panel must be used to make sure your unit is sturdy.
- Do NOT use harsh chemicals or abrasive cleaners on this item.
- Never push, pull, or drag your furniture.



# Before You Start



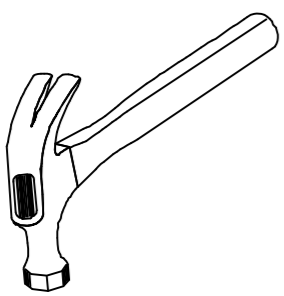
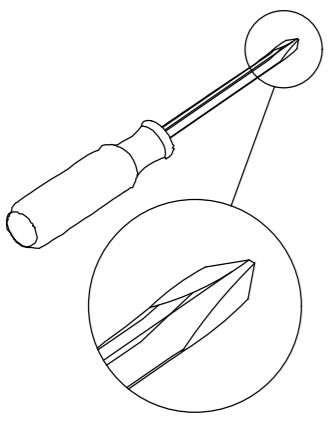
Read through each step carefully and follow the proper order

Separate and count all your parts and hardware

Give yourself enough room for the assembly process

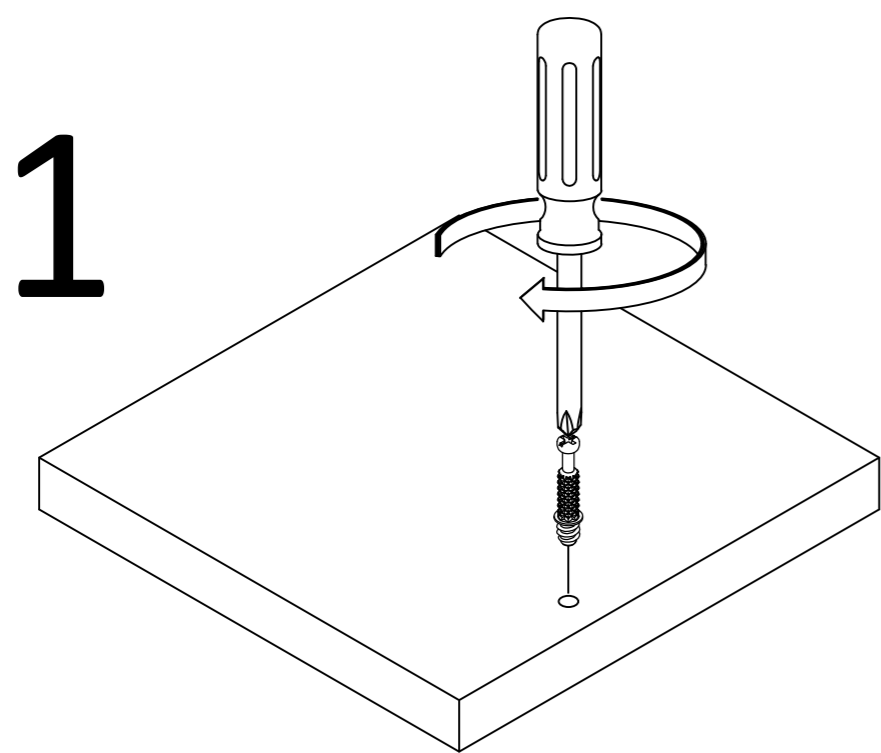
Have the following tools: #2 Phillips Head Screwdriver and Hammer

Caution: If using a power drill or power screwdriver for screwing, please be aware to slow down and stop when screw is tight. Failure to do so may result in stripping the screw.

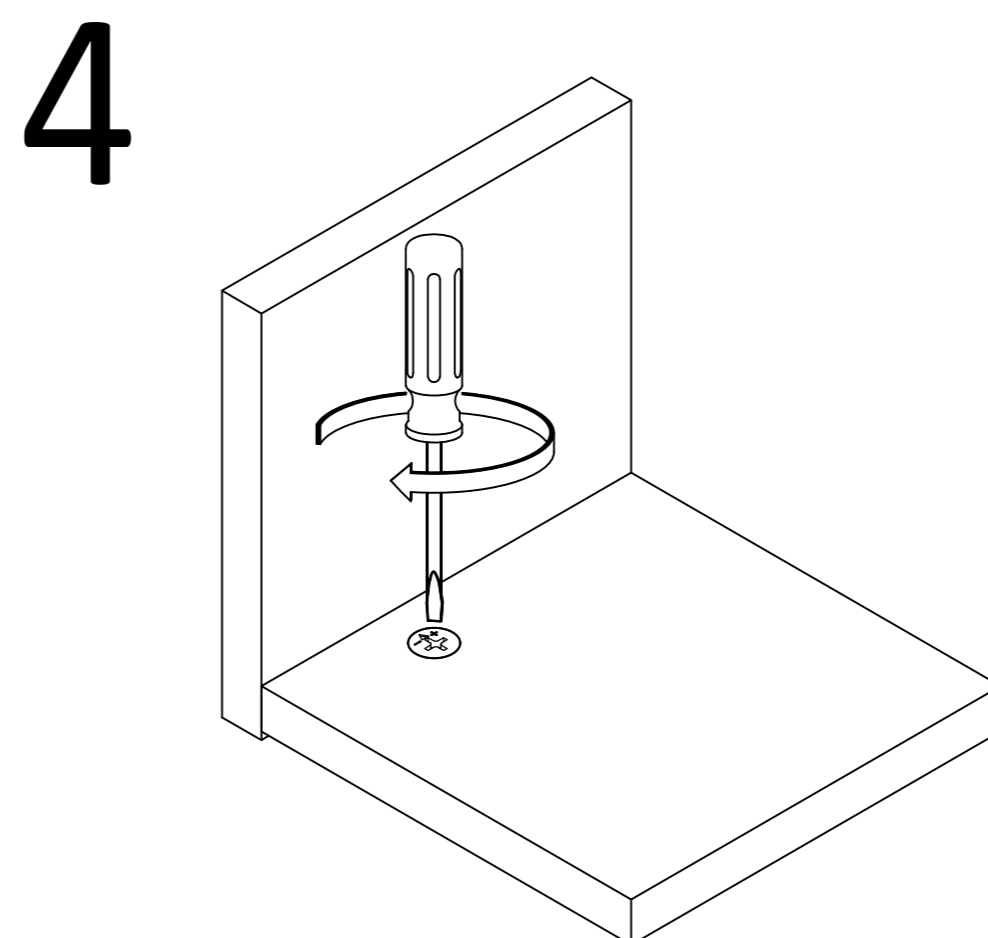
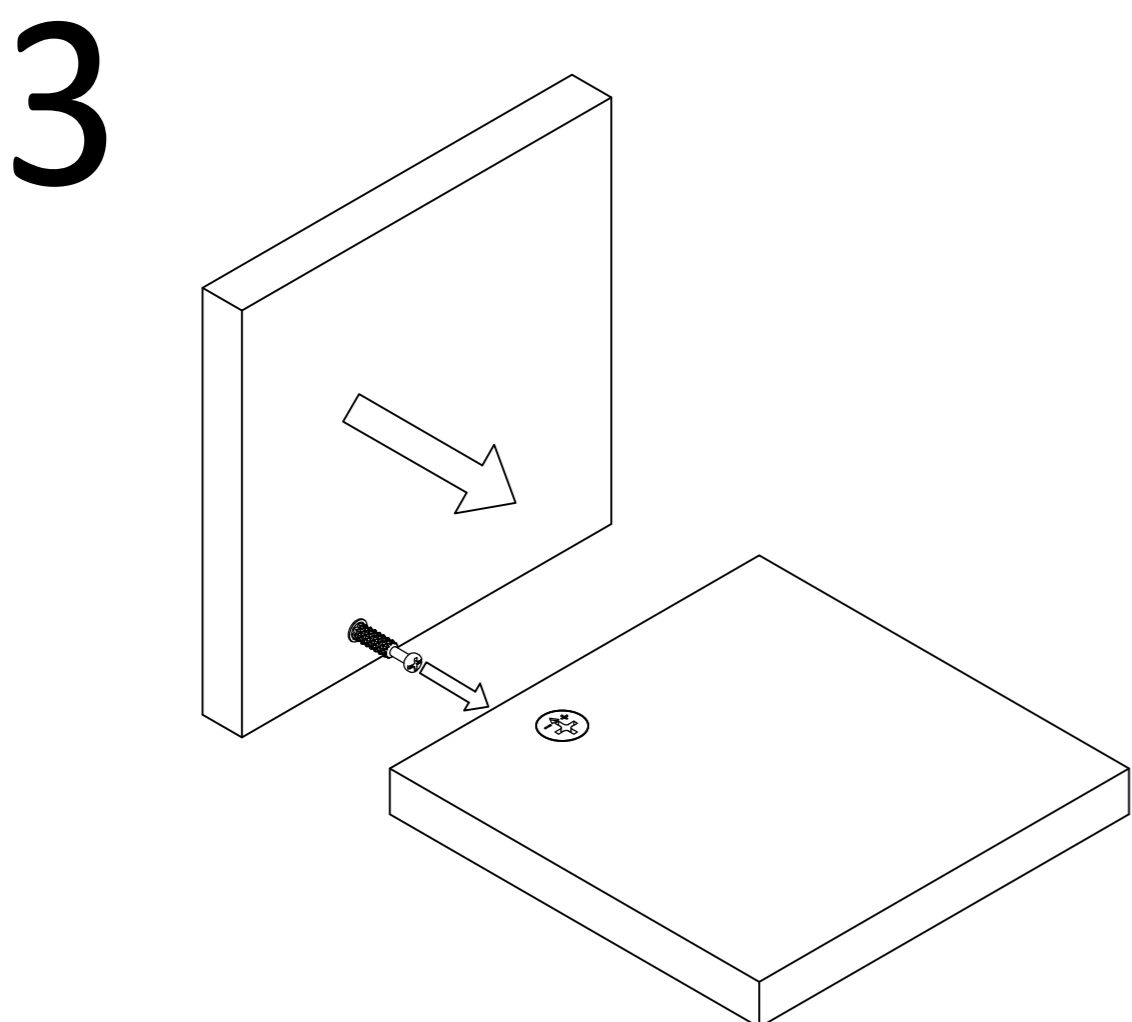
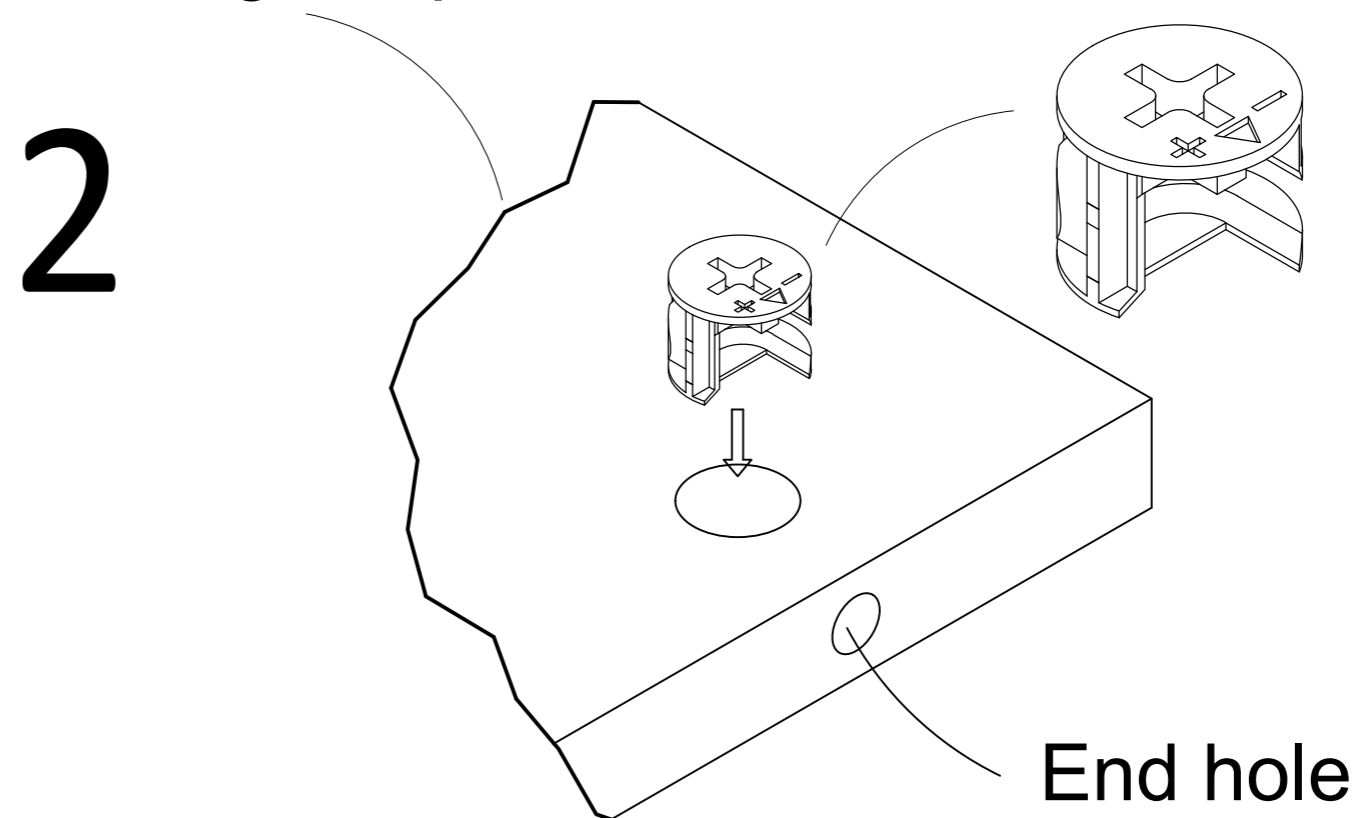


# Cam Lock Fastening System

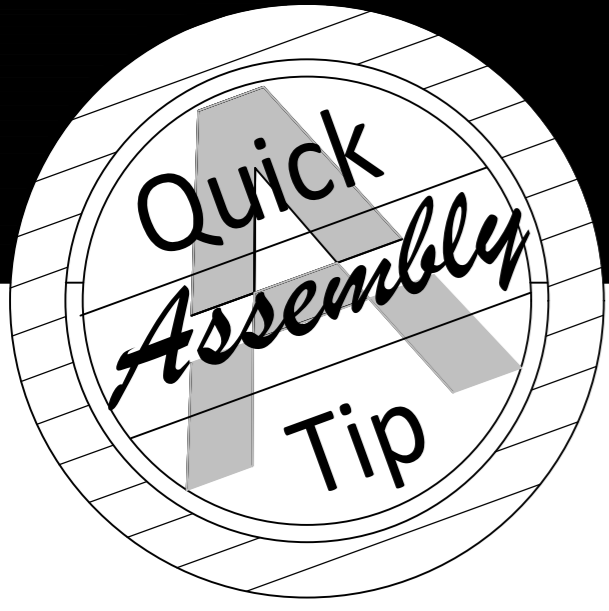
This Cam Lock Fastening System will be used throughout the assembly process.



Arrow to point towards end hole in edge of part

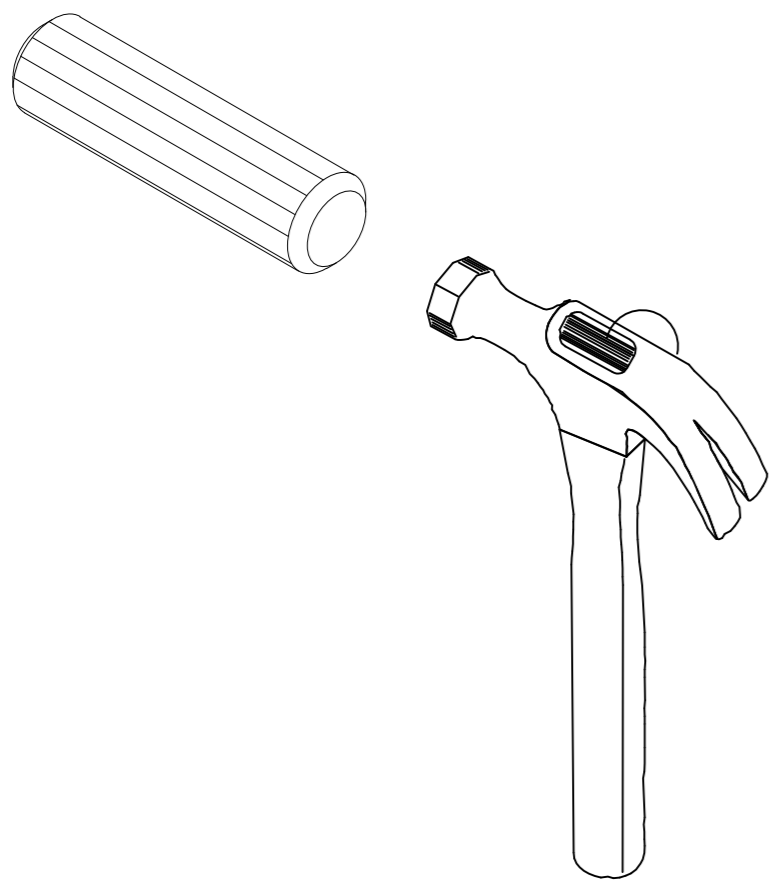


# Before You Start



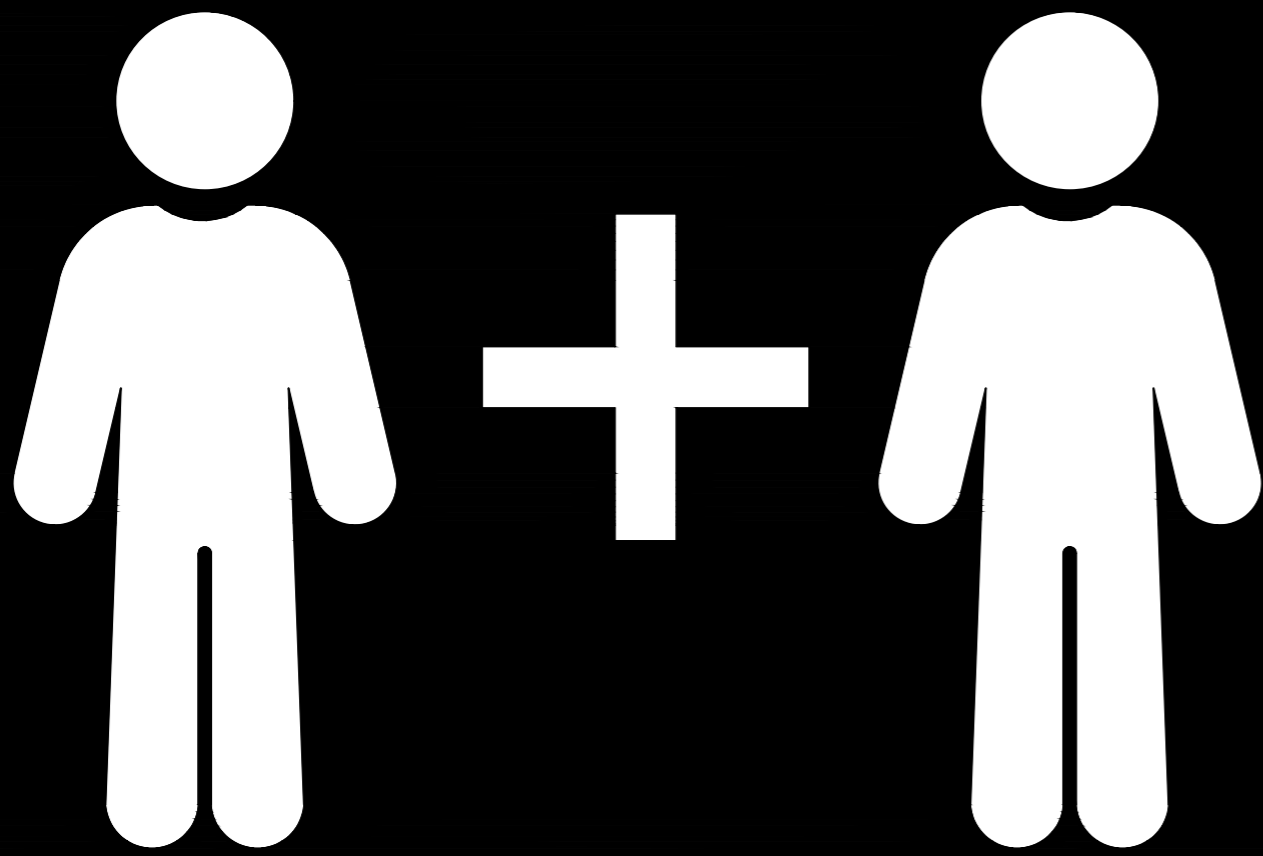
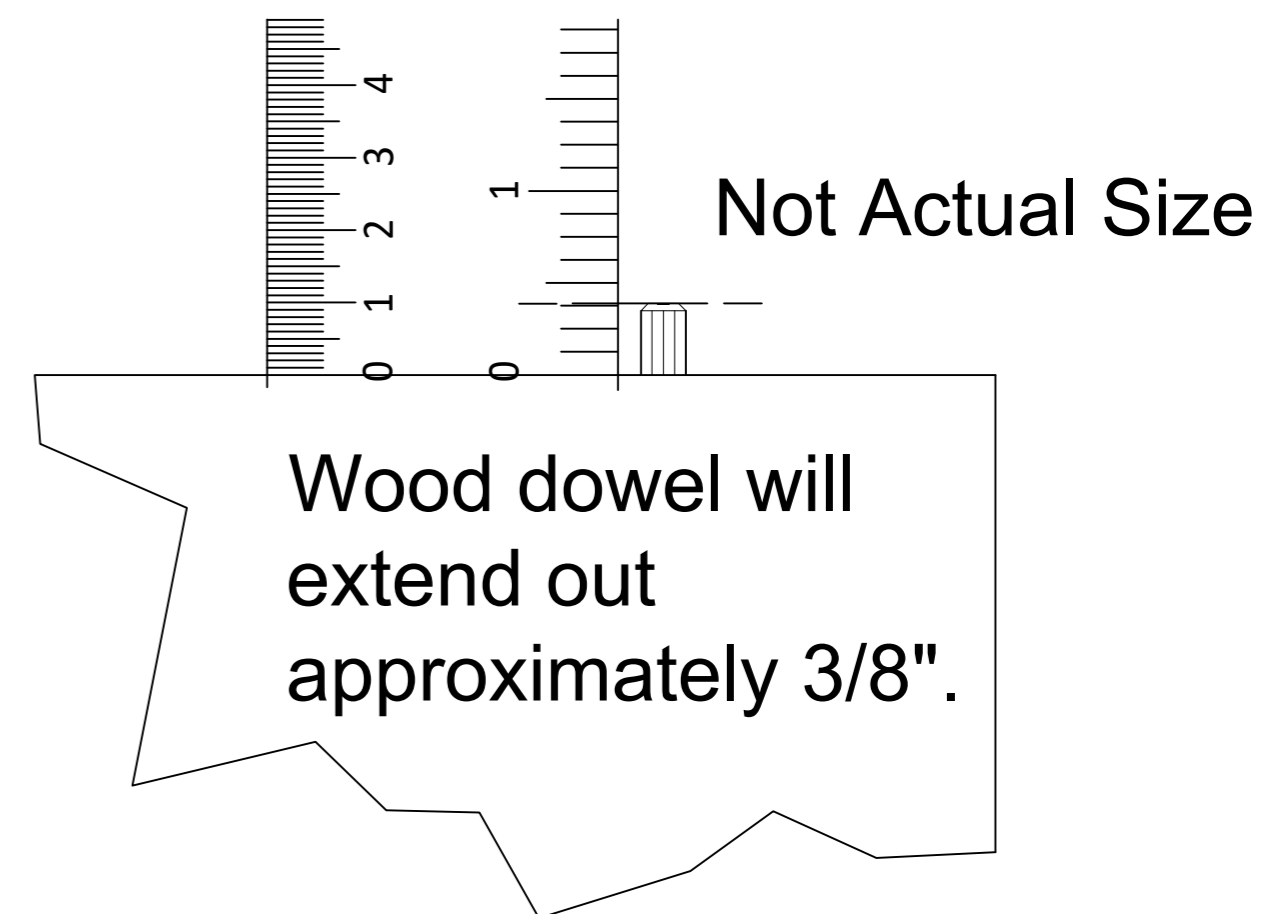
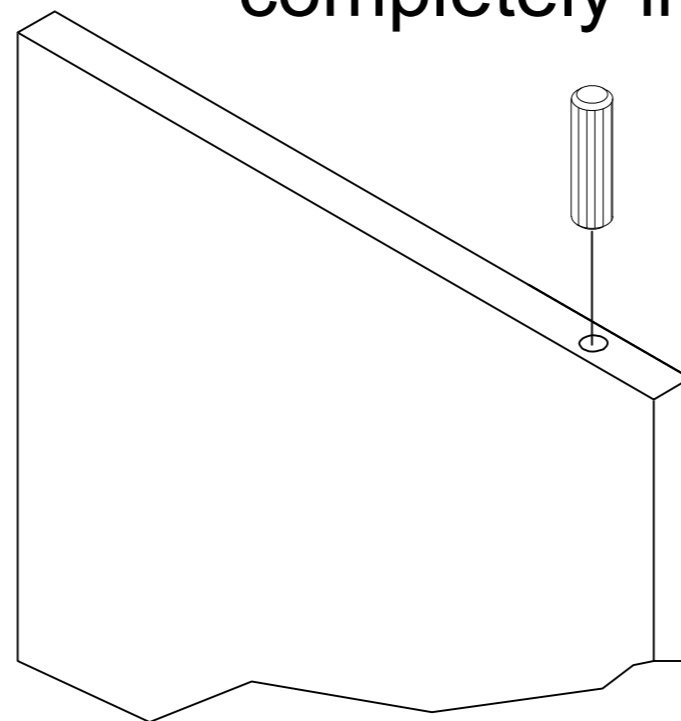
**Please Note:**

You may need to **lightly tap** the wood dowels with a hammer into the holes during your assembly process.



**Wood Dowel Insertion:**

Insert wood dowel completely into the hole.



**2 PEOPLE NEEDED FOR ASSEMBLY**

**2 PERSONAS NECESITADAS  
PARA LA ASAMBLEA**

**2 PERSONNES NÉCESSAIRES  
POUR L'ASSEMBLAGE**

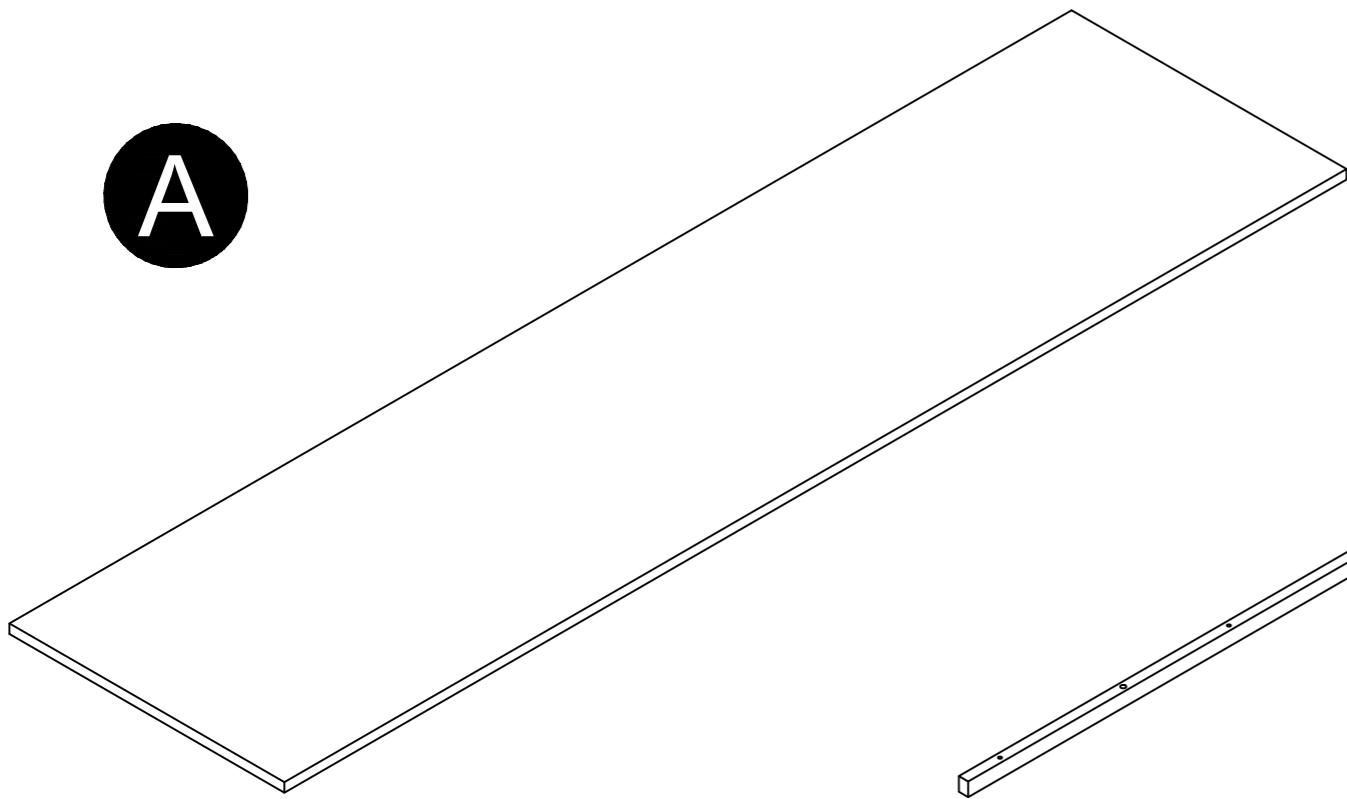
**CAUTION:** Failure to use 2 people for assembly could result in unit damage or personal injury.

**PRECAUCION:** Si no se utilizan 2 personas para el ensamblaje, se pueden producir daños en la unidad o lesiones personales.

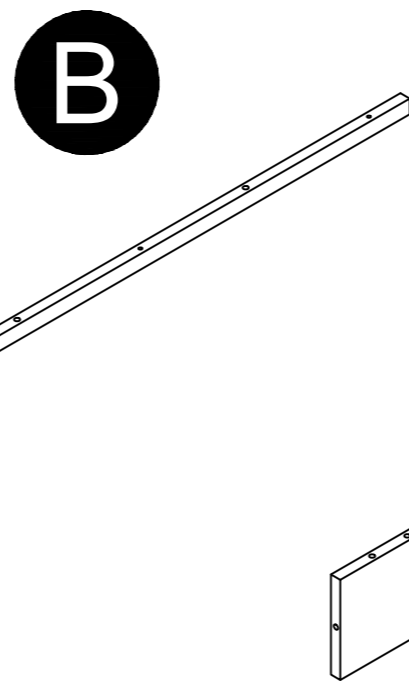
**ATTENTION:** Echec d'utiliser 2 personnes pour l'assemblage peut causer du dommage au meuble ou causer des blessures.

# Board Identification

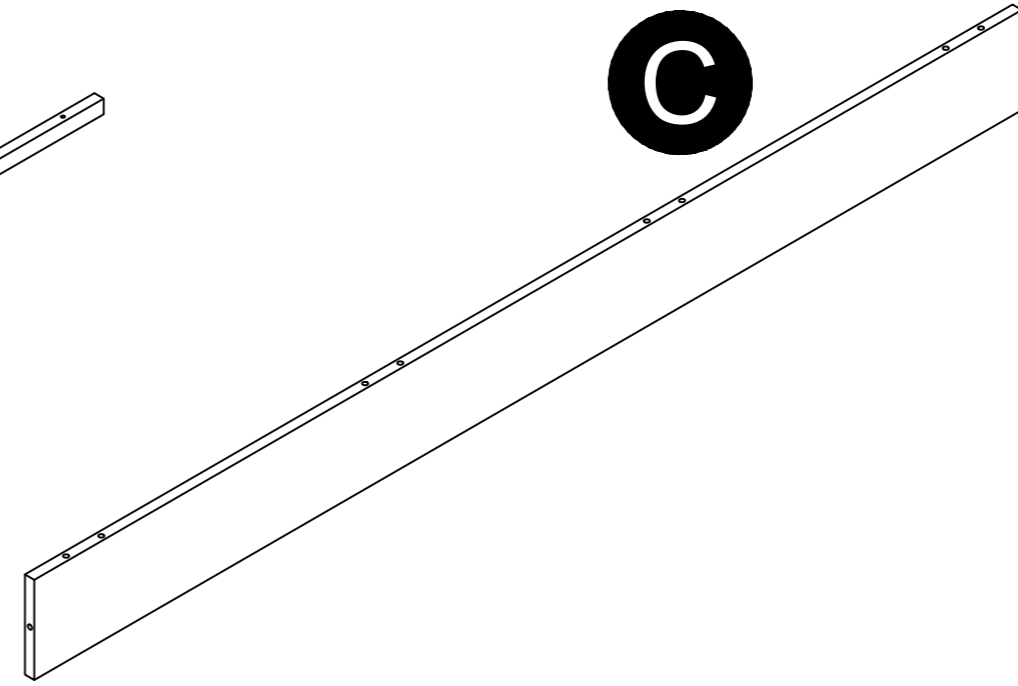
Not Actual Size



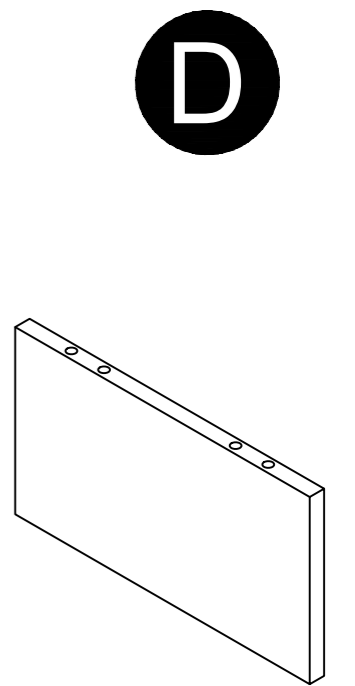
**A**  
Top Panel  
T6387215010SF



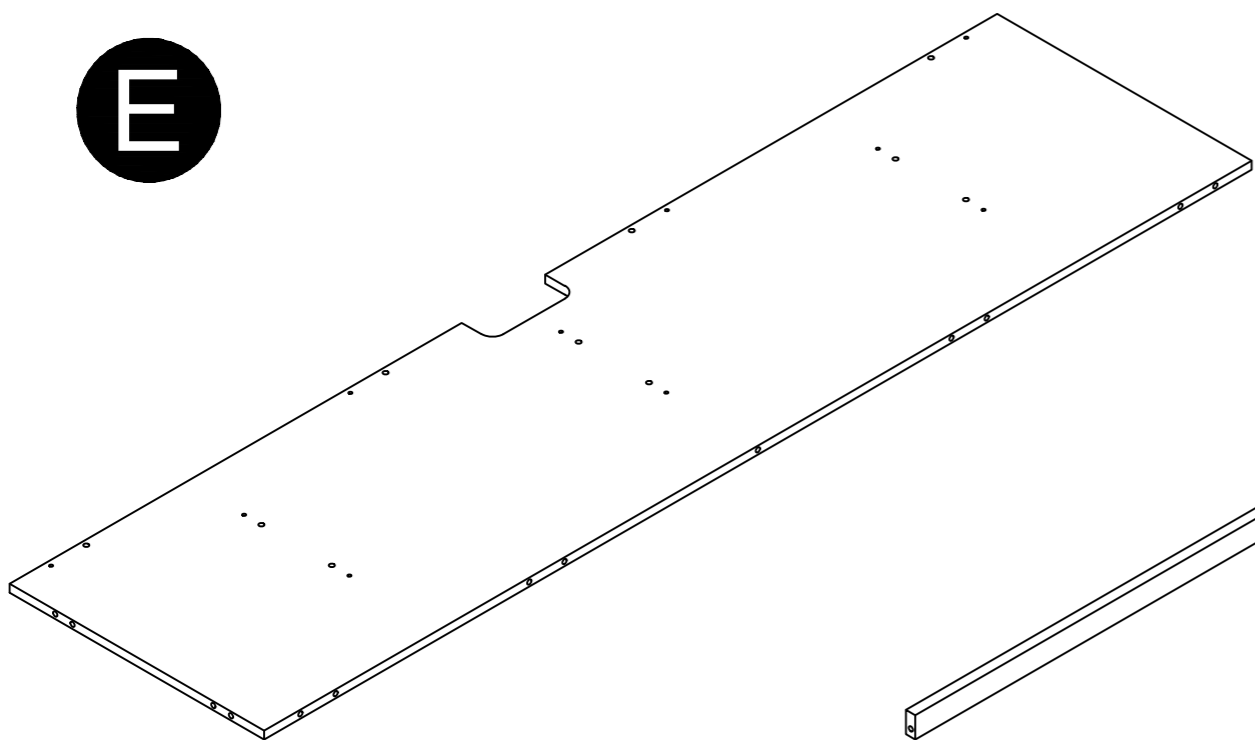
**B**  
Top Apron  
T6387215020SF



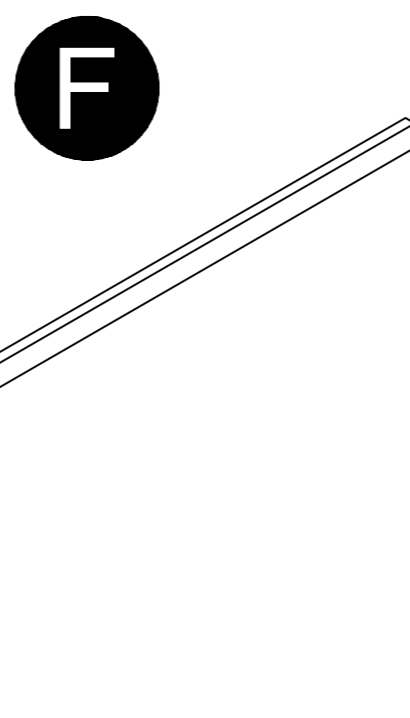
**C**  
Upper Back Panel  
T6387215030SF



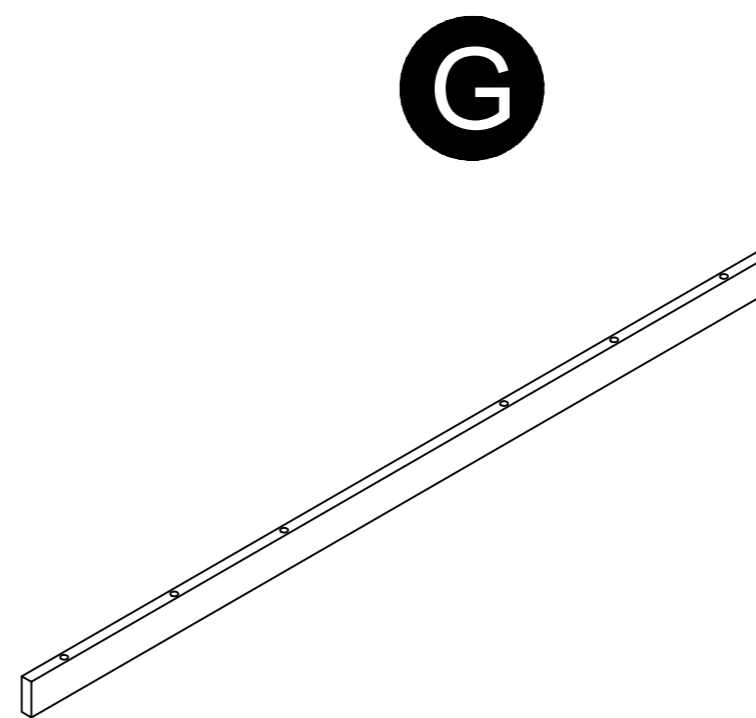
**D**  
Upper Partition  
T6387215040SF  
QTY: 3 PCS



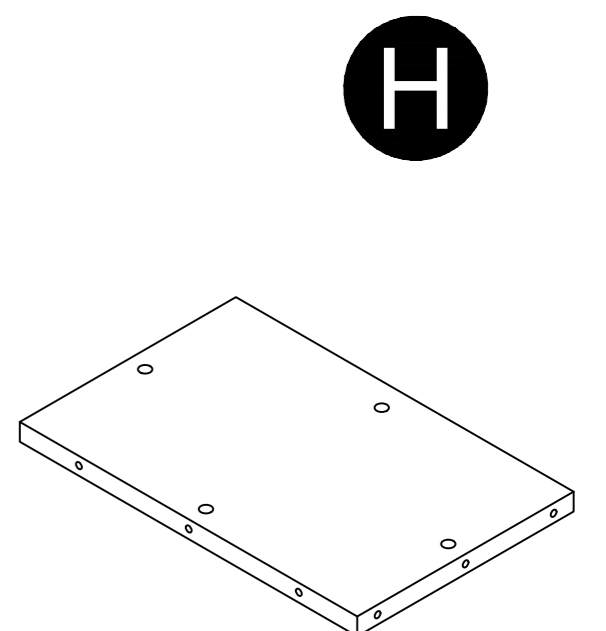
**E**  
Fixed Shelf  
T6387215050SF



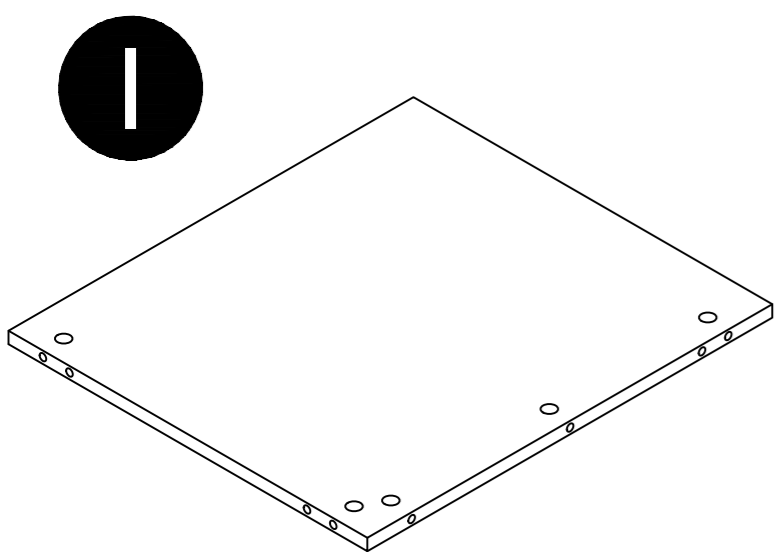
**F**  
Fixed Shelf Rail  
T6387215060SF



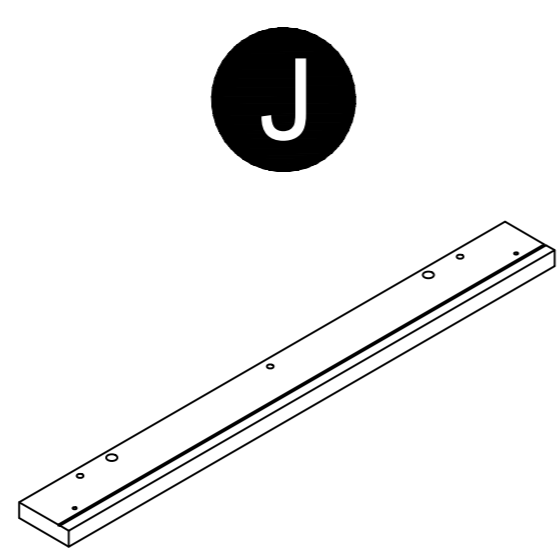
**G**  
Upper Molding  
T6387215070SF



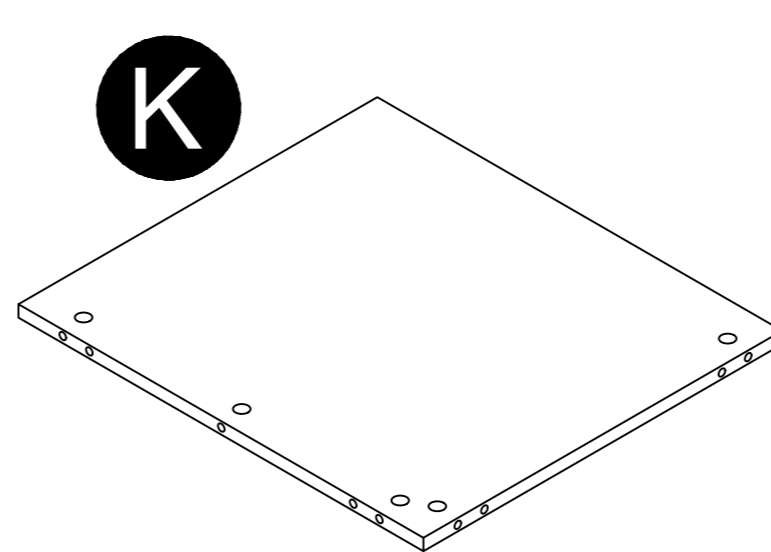
**H**  
Lower Back Panel  
T6387215080SF  
QTY: 2 PCS



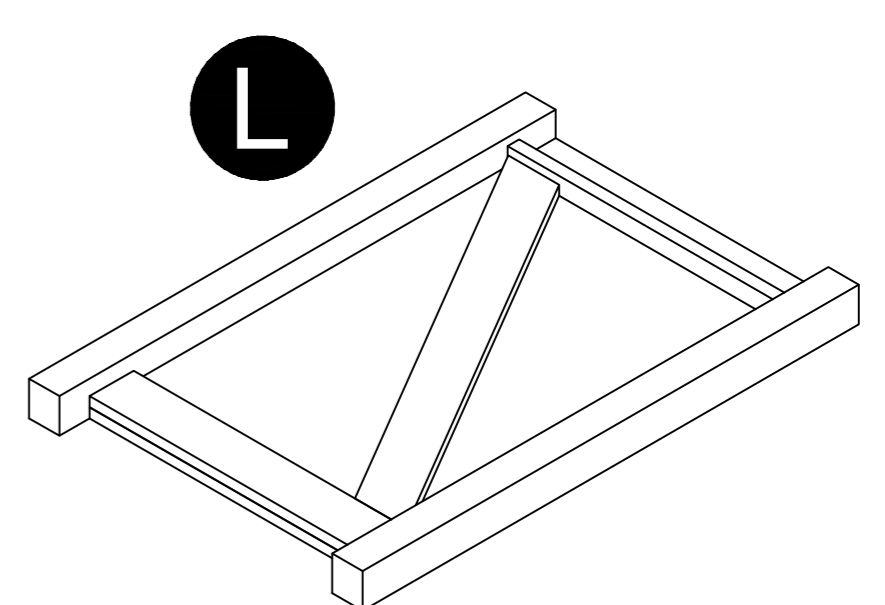
**I**  
Left Partition  
T6387215090SF



**J**  
Side Molding  
T6387215100SF  
QTY: 2PCS



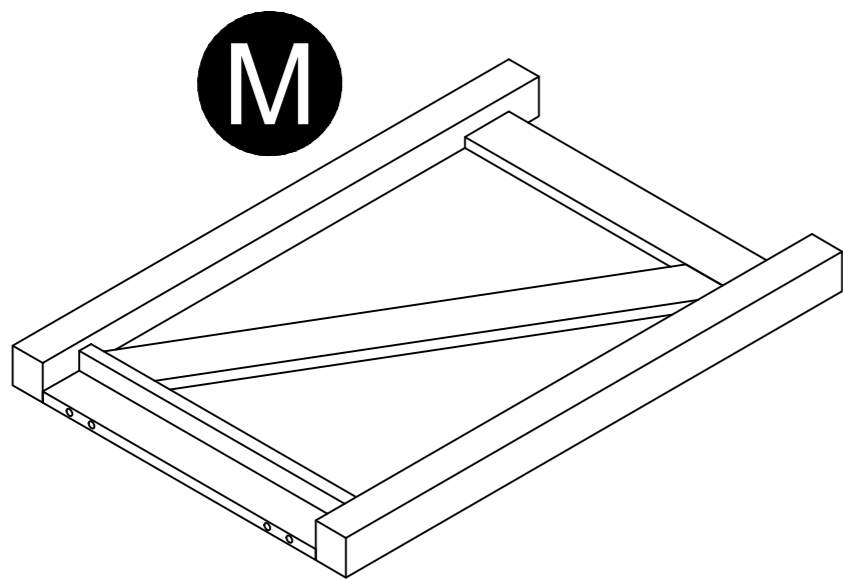
**K**  
Right Partition  
T6387215110SF



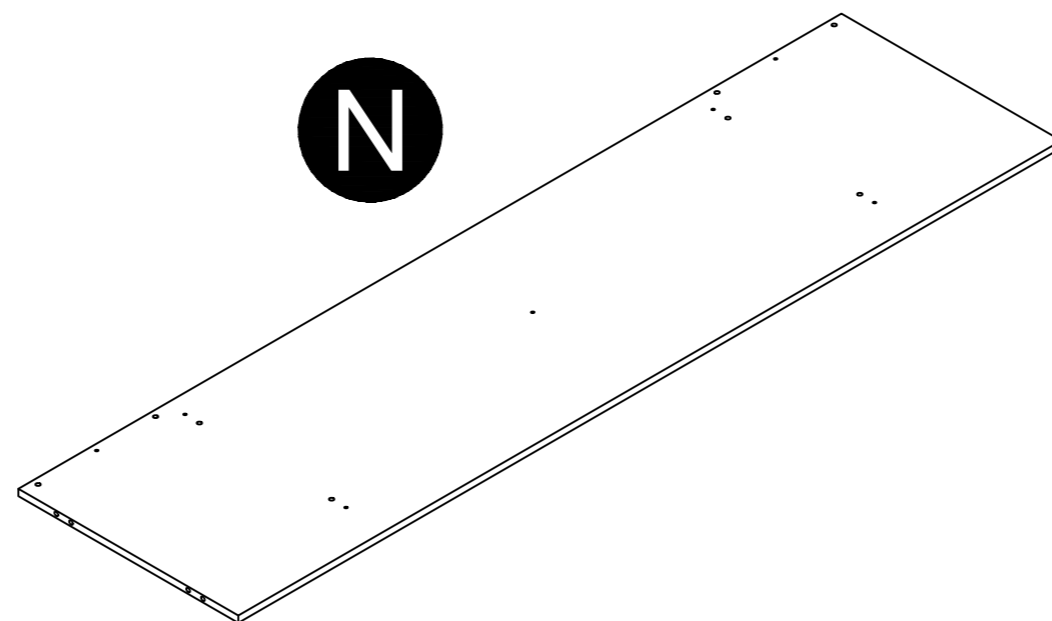
**L**  
Left Side Frame  
T6387215120SF

# Board Identification

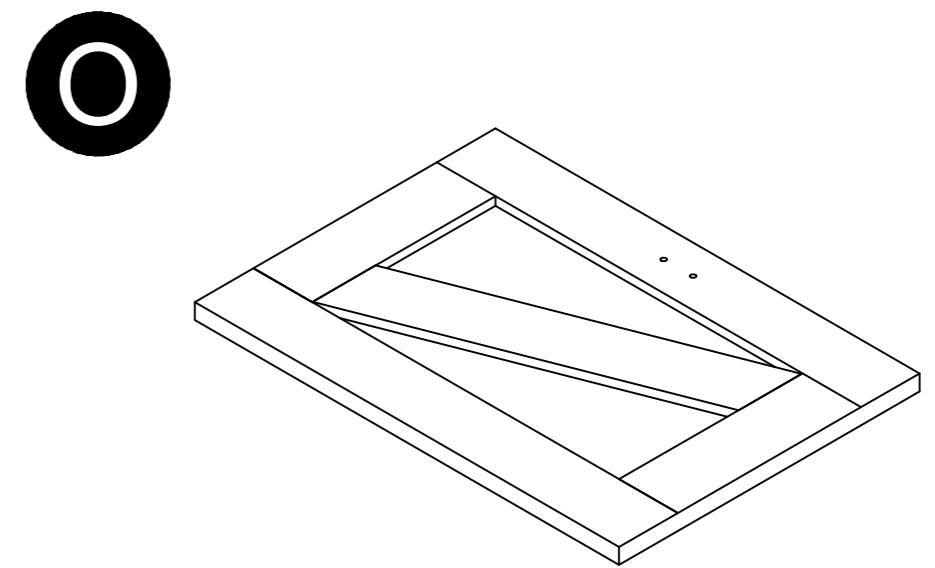
Not Actual Size



**M**  
Right Side Frame  
T6387215130SF

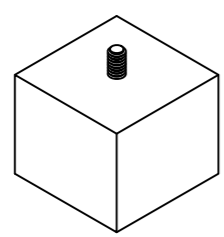


**N**  
Bottom Panel  
T6387215140SF



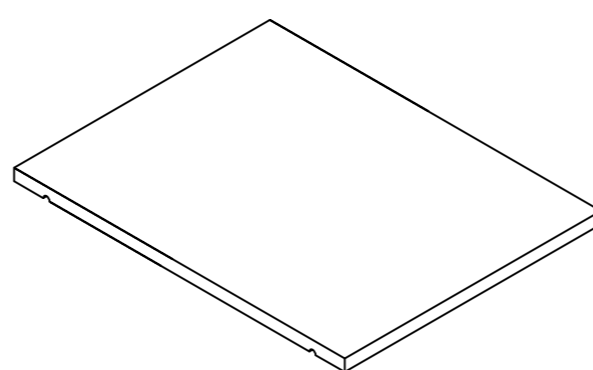
**O**  
Left Door  
T6387215150SF

**P**



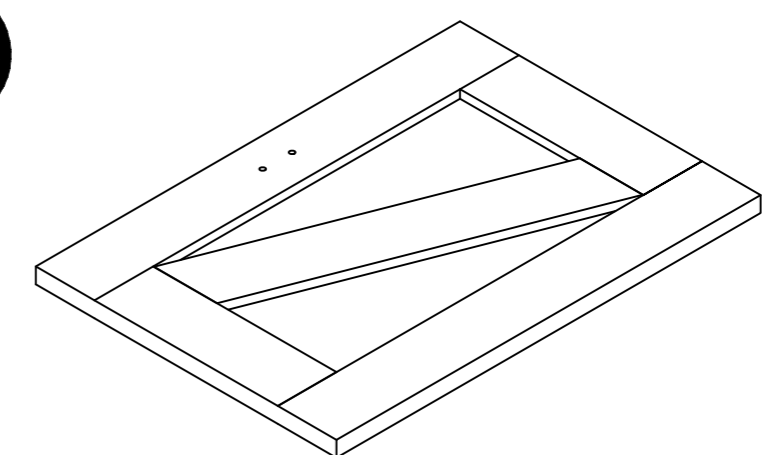
Middle Leg  
T6387215160SF  
QTY: 3 PCS

**Q**



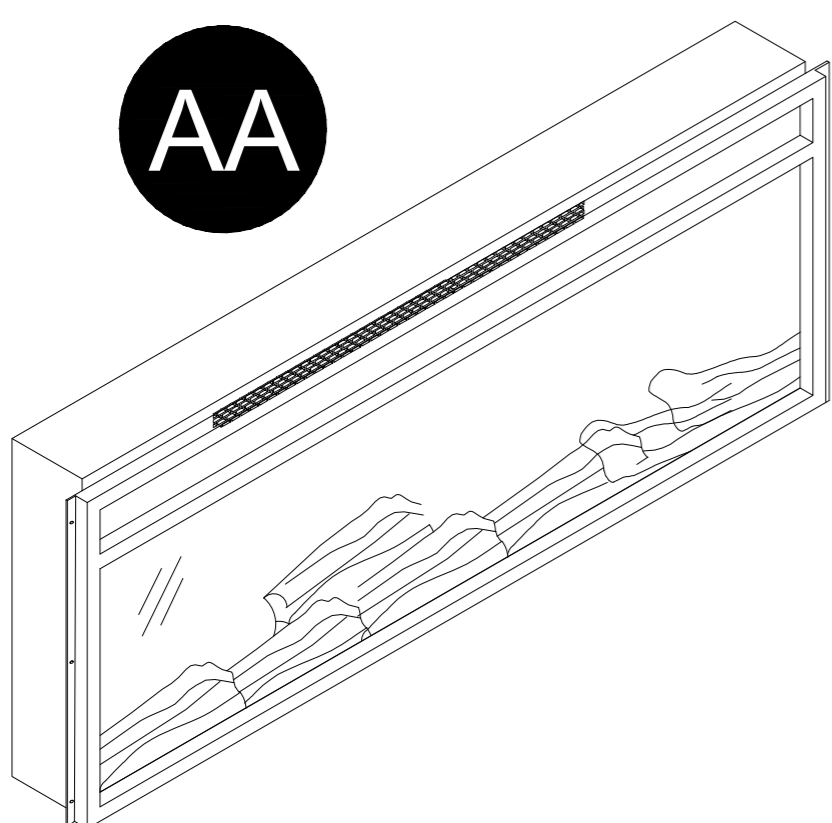
Adjustable Shelf  
T6387215170SF  
QTY: 2 PCS

**R**



Right Door  
T6387215180SF

**AA**

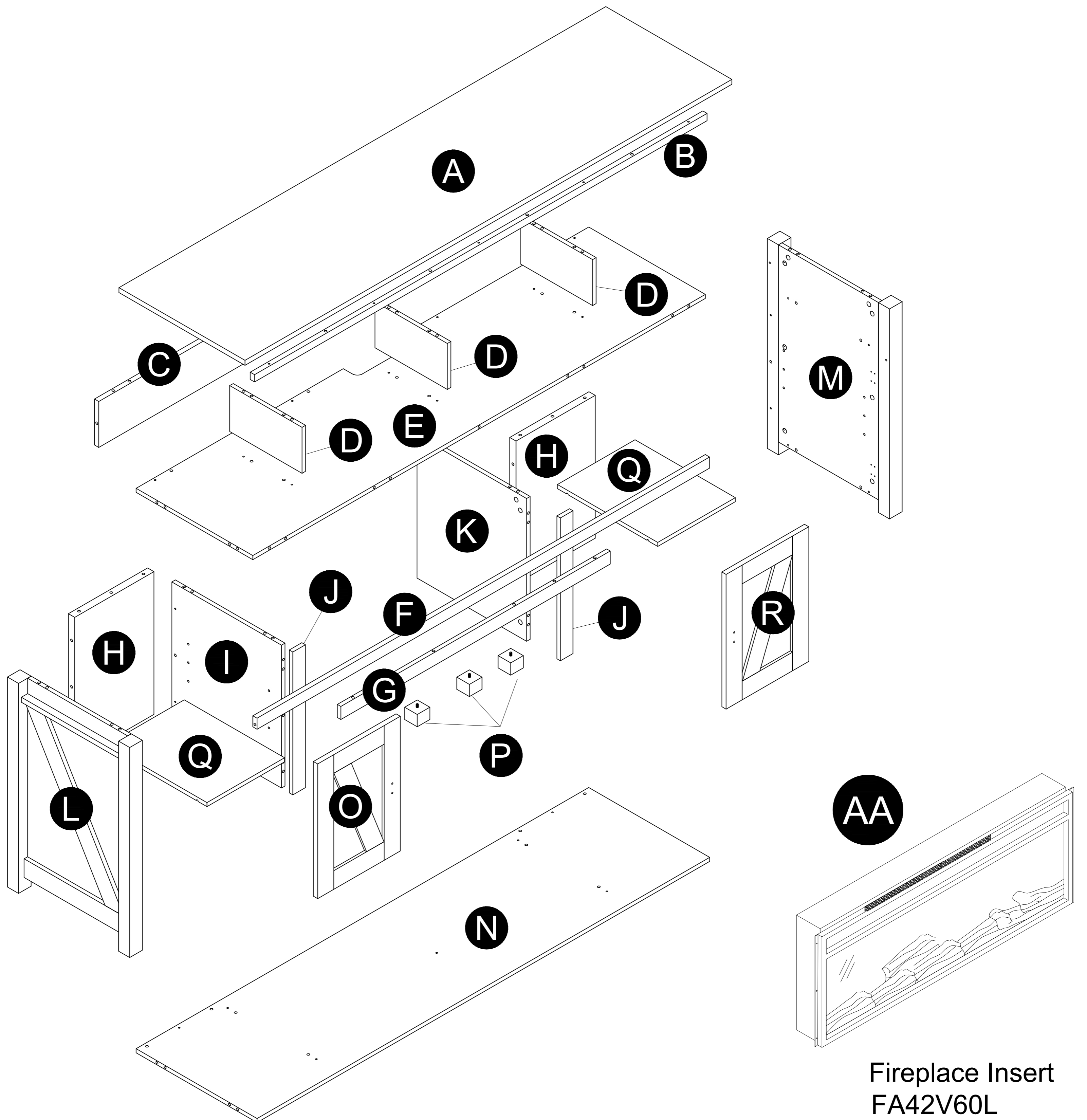


Fireplace Insert  
FA42V60L

\* See the manual came with your insert for part numbers and important safety information.

# Board Identification

Not Actual Size

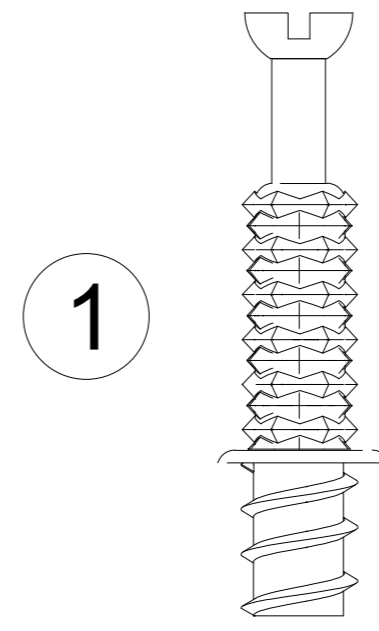


Fireplace Insert  
FA42V60L

# Part List

## Actual Size

For any replacement hardware,  
order part # **26387215COM0SF**

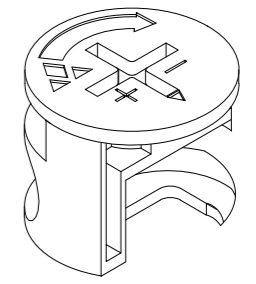


1

(x53)

TSF0354  
Cam Bolt  
Ø7x34 mm

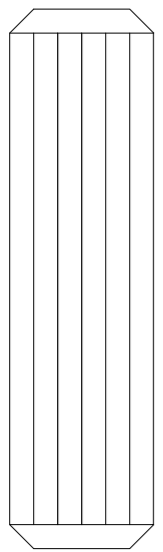
2



(x53)

TSF0314  
Cam Lock  
Ø15x12 mm

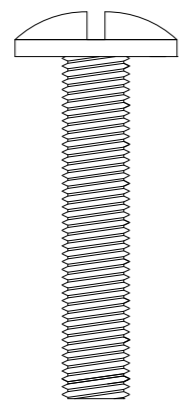
3



(x70)

TSF0501  
Wood Dowel  
Ø8x30 mm

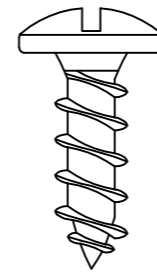
4



(x4)

TSF1811  
Bolt  
Ø5/32"x20 mm

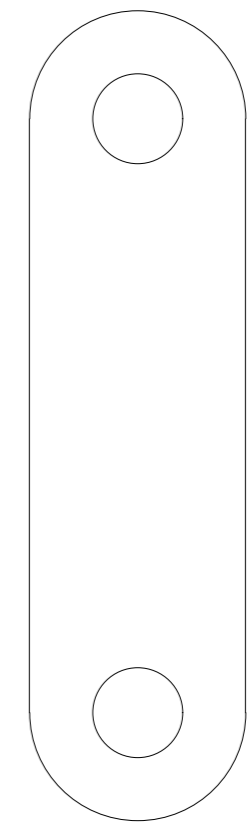
5



(x7)

TSF0610  
Screw  
Ø3.5x12 mm

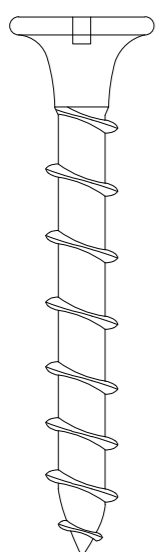
6



(x2)

TSF2402  
Metal Plate  
45x12x1 mm

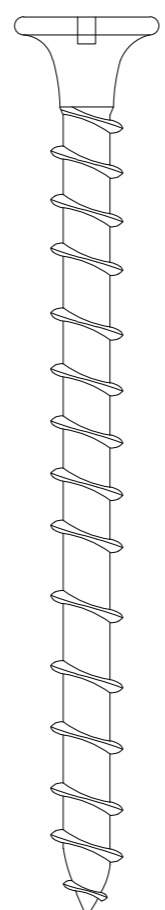
7



(x5)

TSF0602  
Screw  
Ø4x30 mm

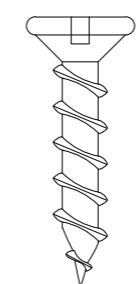
8



(x14)

TSF0621  
Screw  
Ø4x50 mm

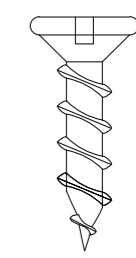
9



(x24)

TSF0805  
Screw  
Ø3.5x14 mm

10



(x4)

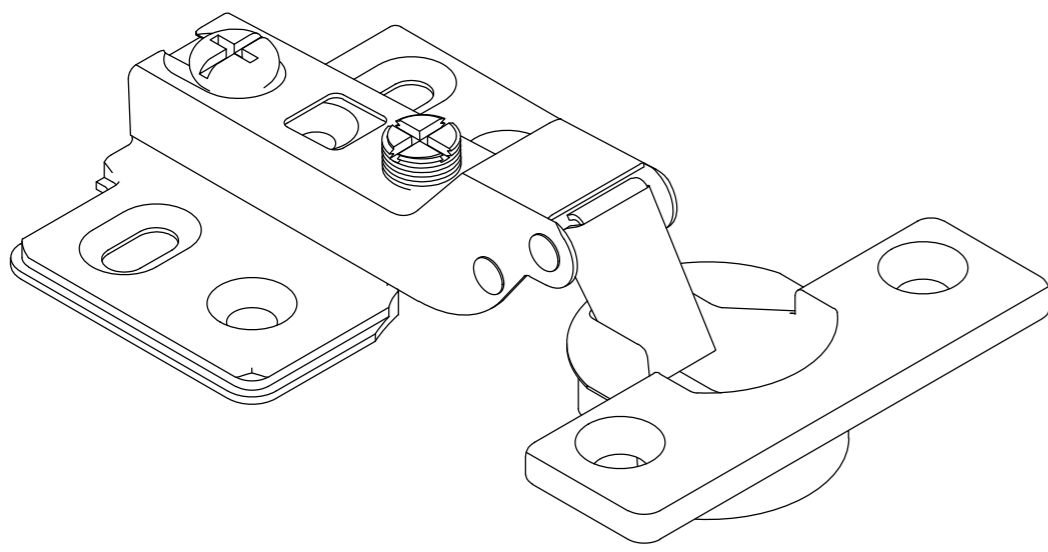
TSF0601  
Screw  
Ø3.5x12 mm



# Part List

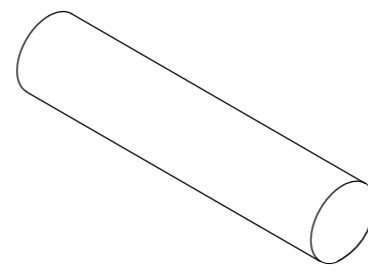
Not Actual Size

11



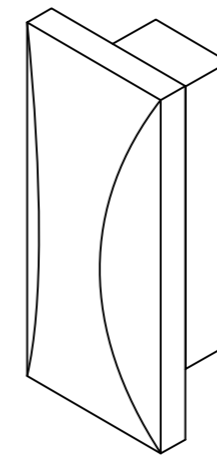
(x4)  
TSF2722  
Hinge

12



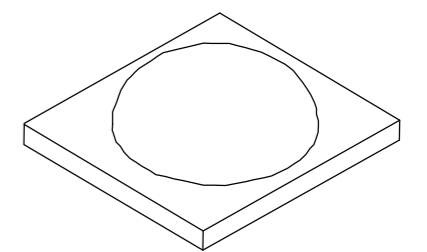
(x8)  
TSF0557  
Shelf Support

13



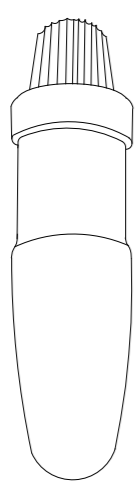
(x2)  
TSF2221  
Knob

14



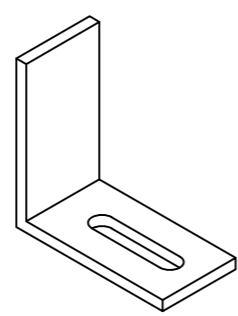
(x4)  
TSF3506  
Bumper

15



(x1)  
TSF0015  
Glue

16



(x1)  
TSF2635  
Angel Bracket

17



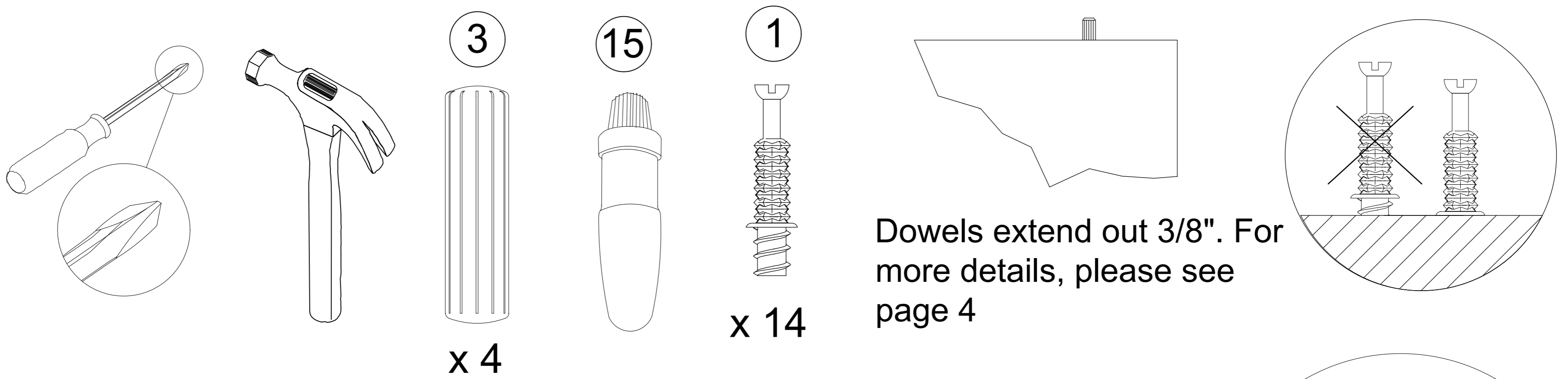
(x22)  
TSF3512  
Cam Cover

18

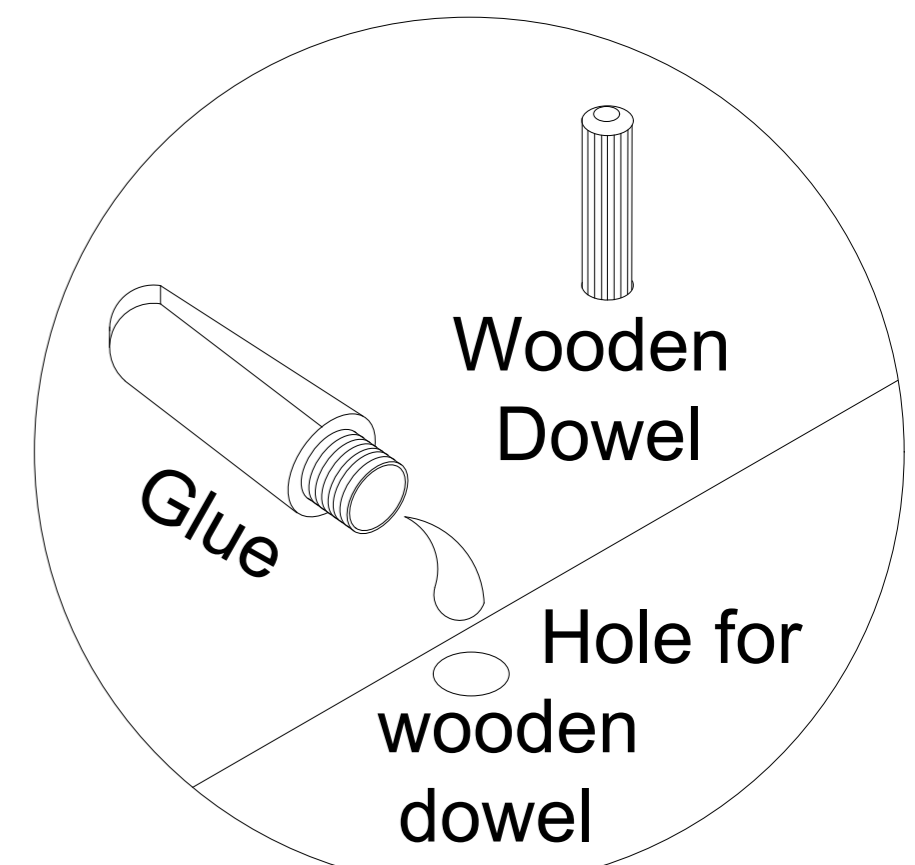


(x1)  
TSF2914  
Warning Label

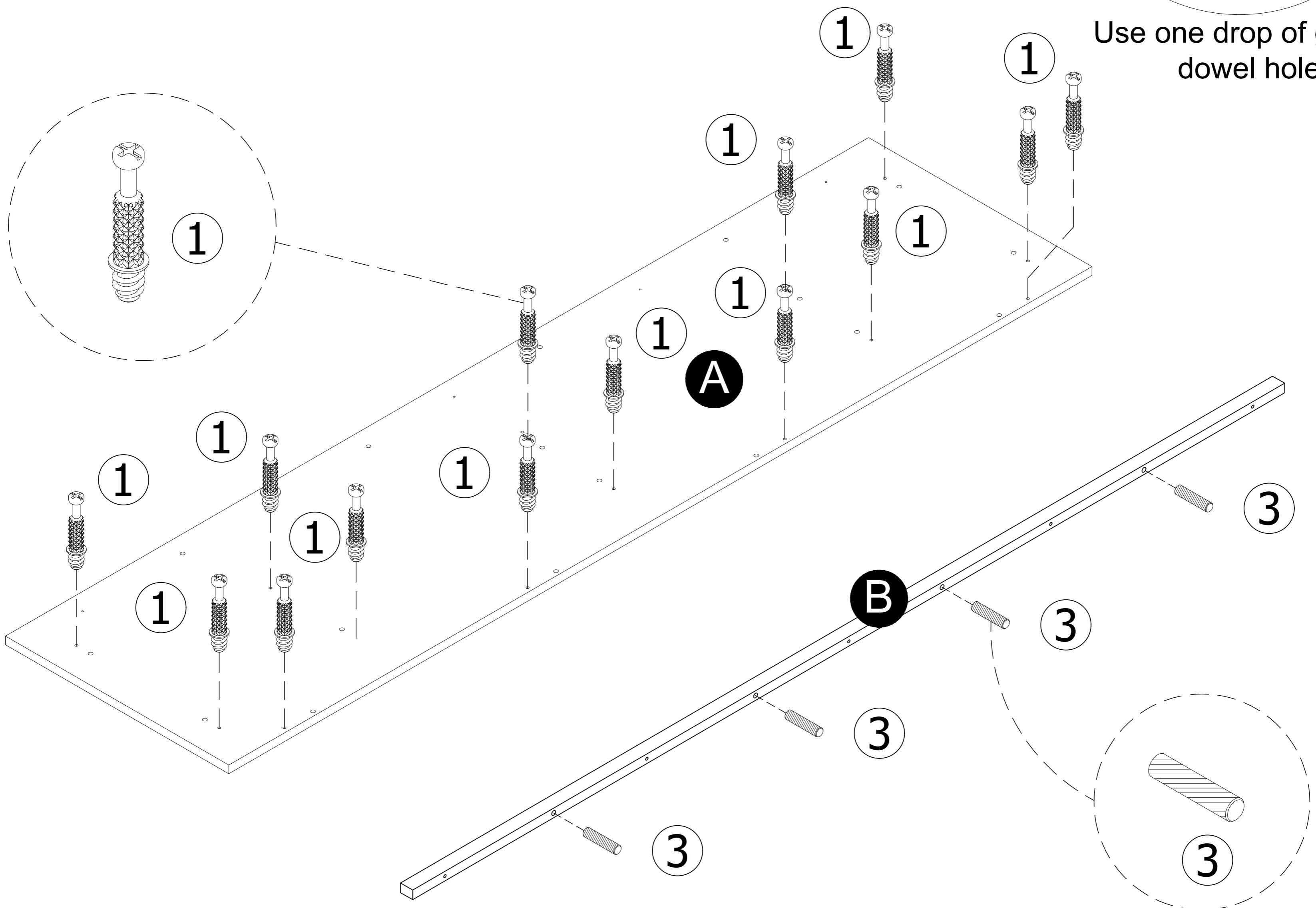
## STEP 1



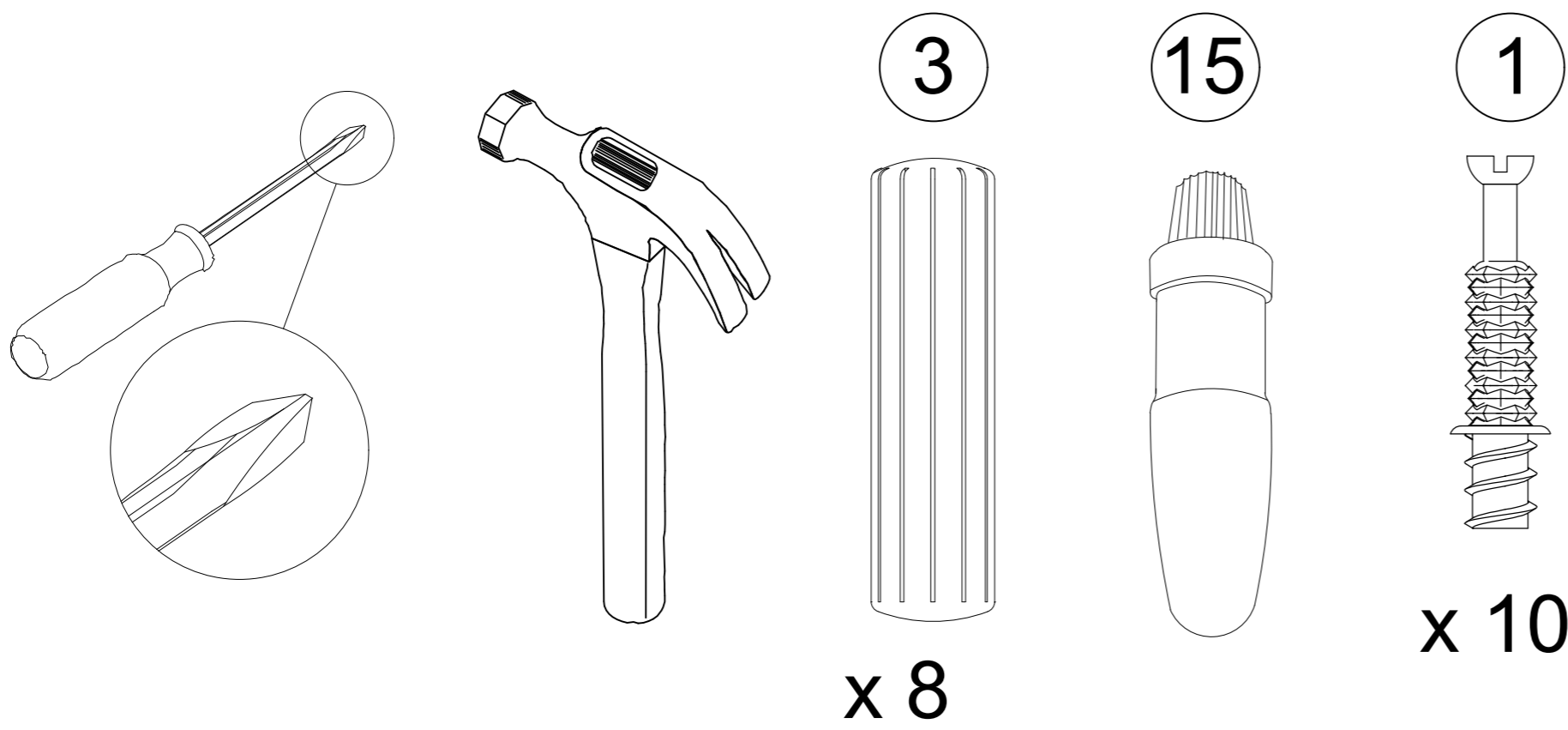
- Attach 14 Cam Bolts (1) to the Top Panel (A) as illustrated. Do NOT over-tighten.
- Insert four Wood Dowels (3) into Top Apron (B) as illustrated.



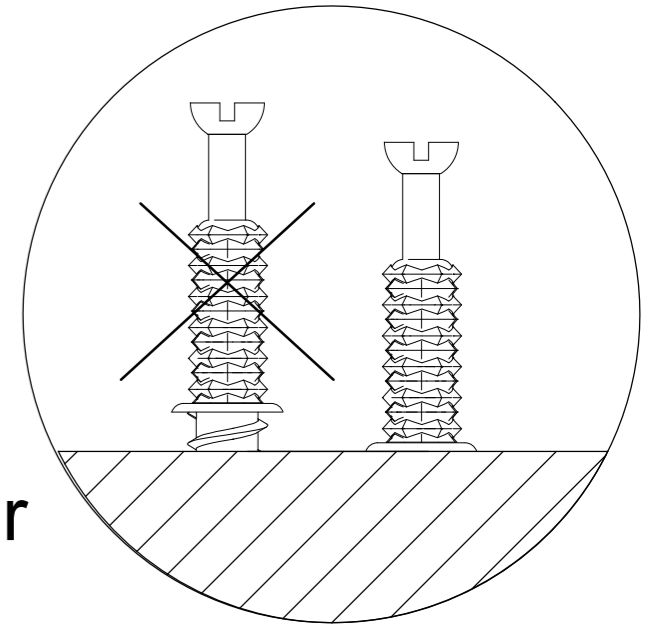
Use one drop of glue in dowel hole.



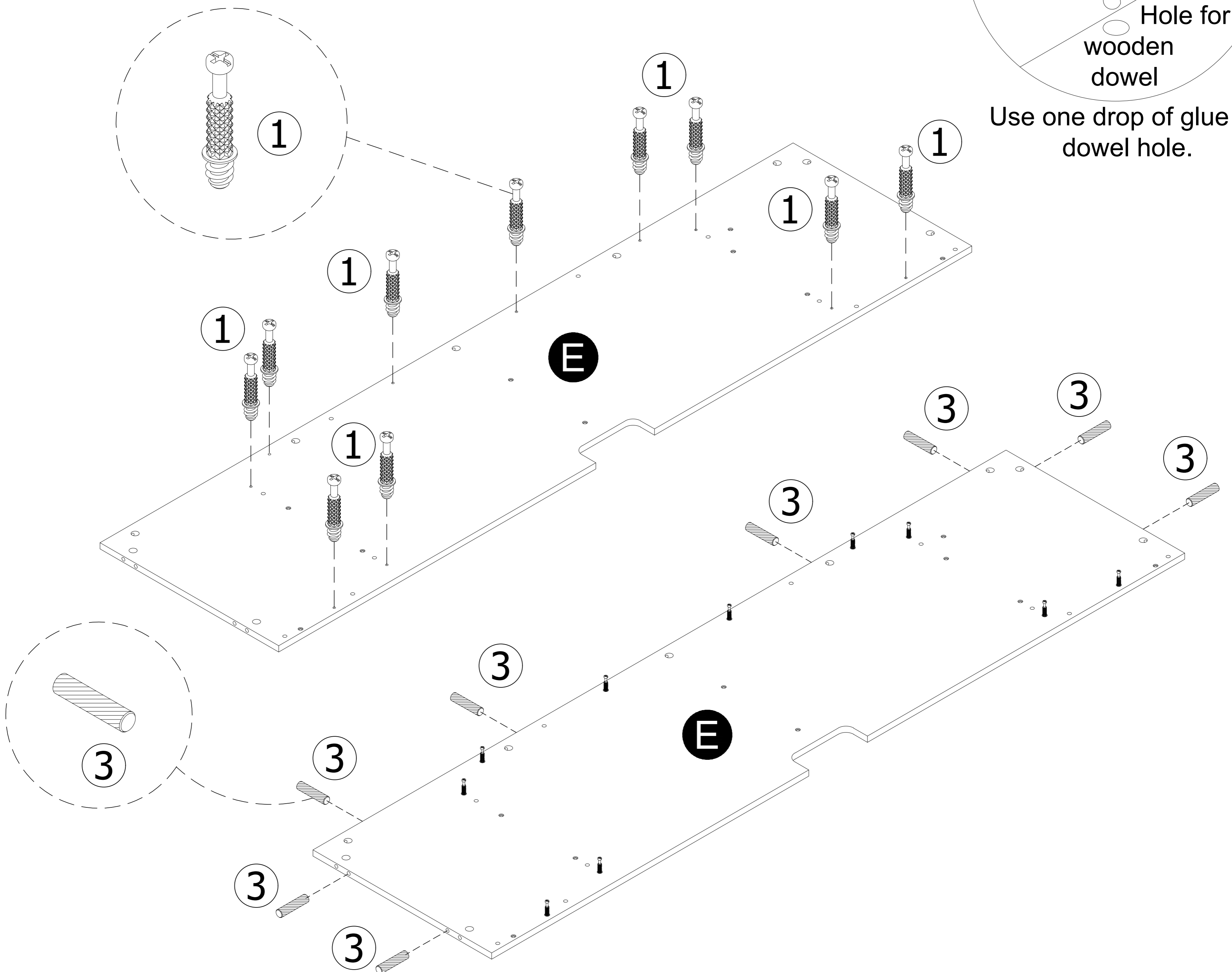
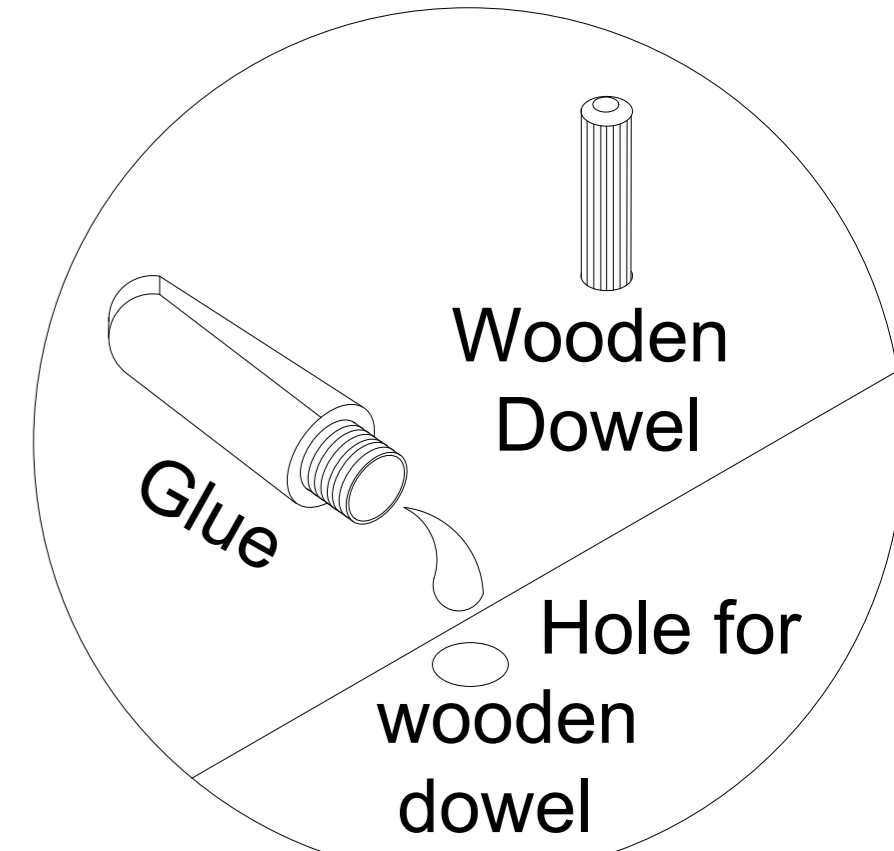
## STEP 2



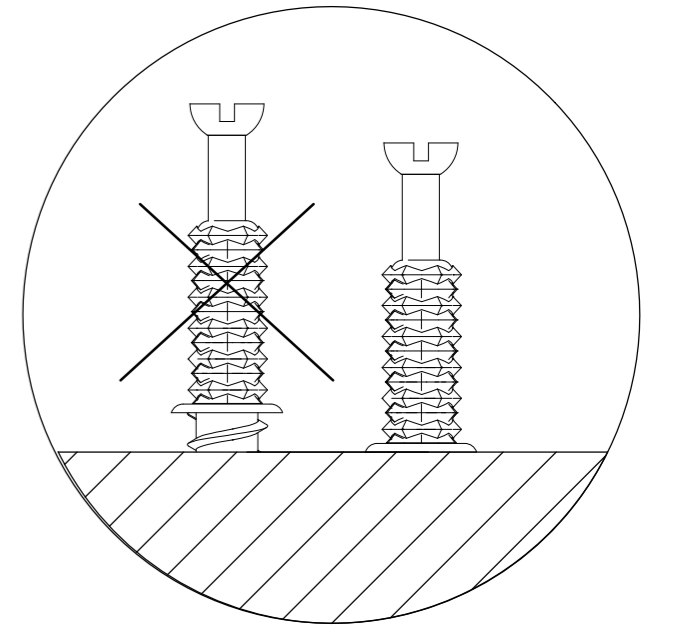
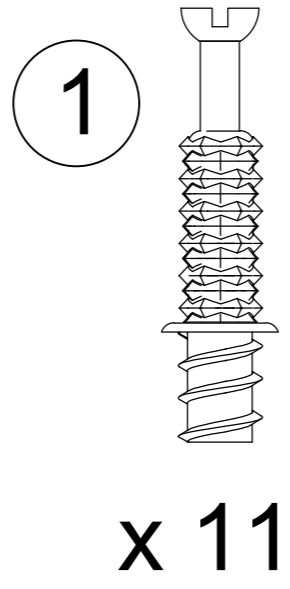
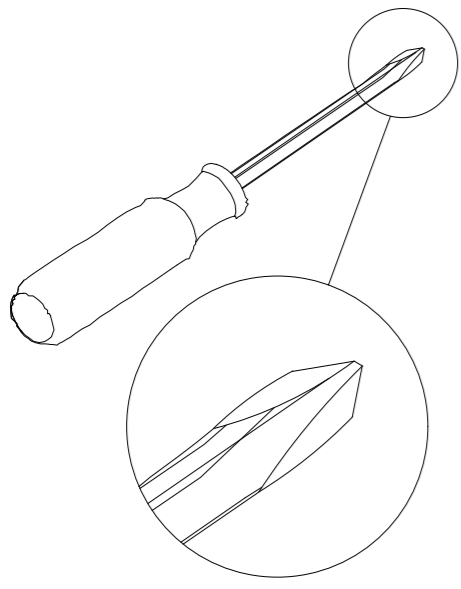
Dowels extend out 3/8". For more details, please see page 4



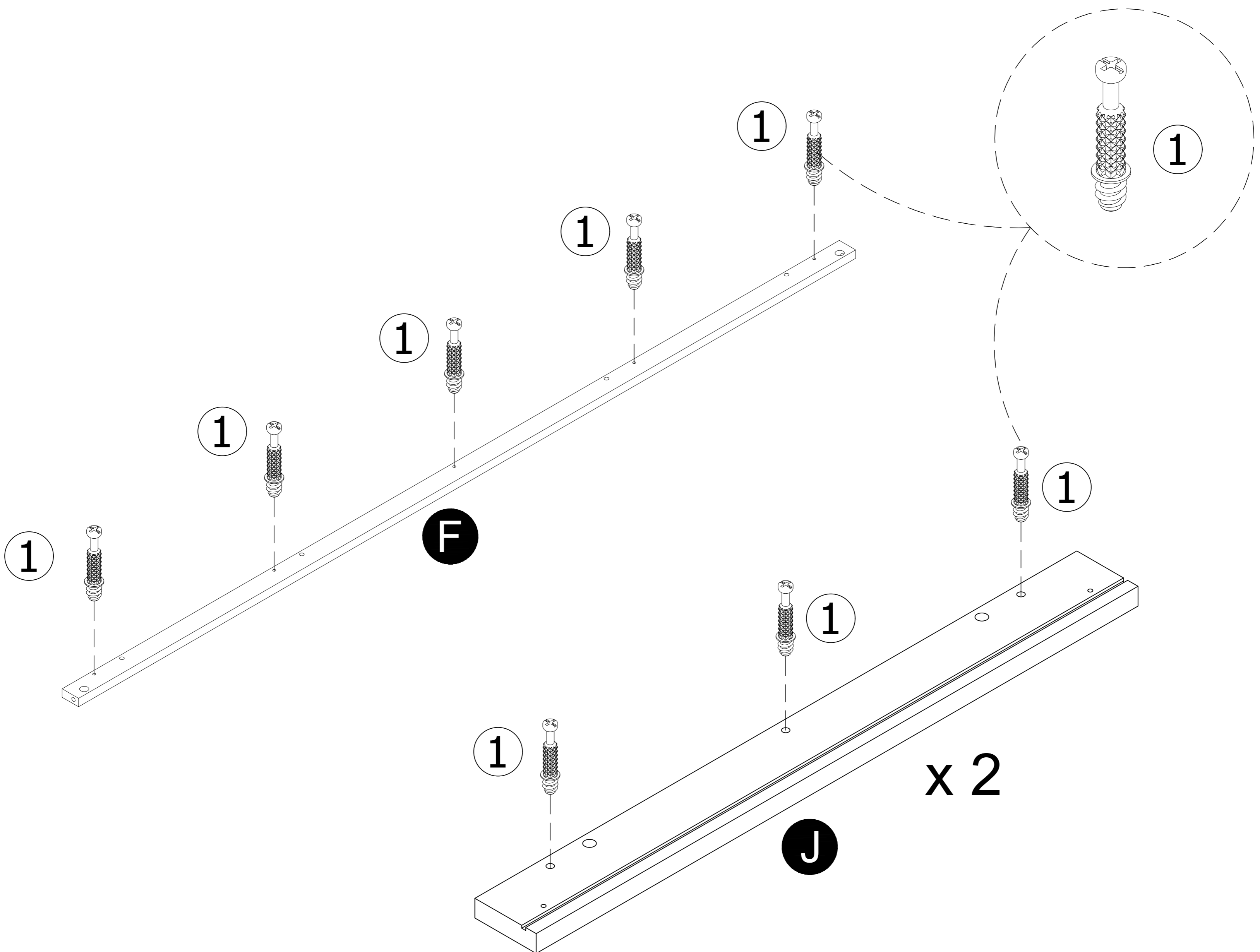
- Attach ten Cam Bolts (1) to Fixed Shelf (E) as illustrated. Do NOT over-tighten.
- Insert eight Wood Dowels (3) into Fixed Shelf (E) as illustrated.



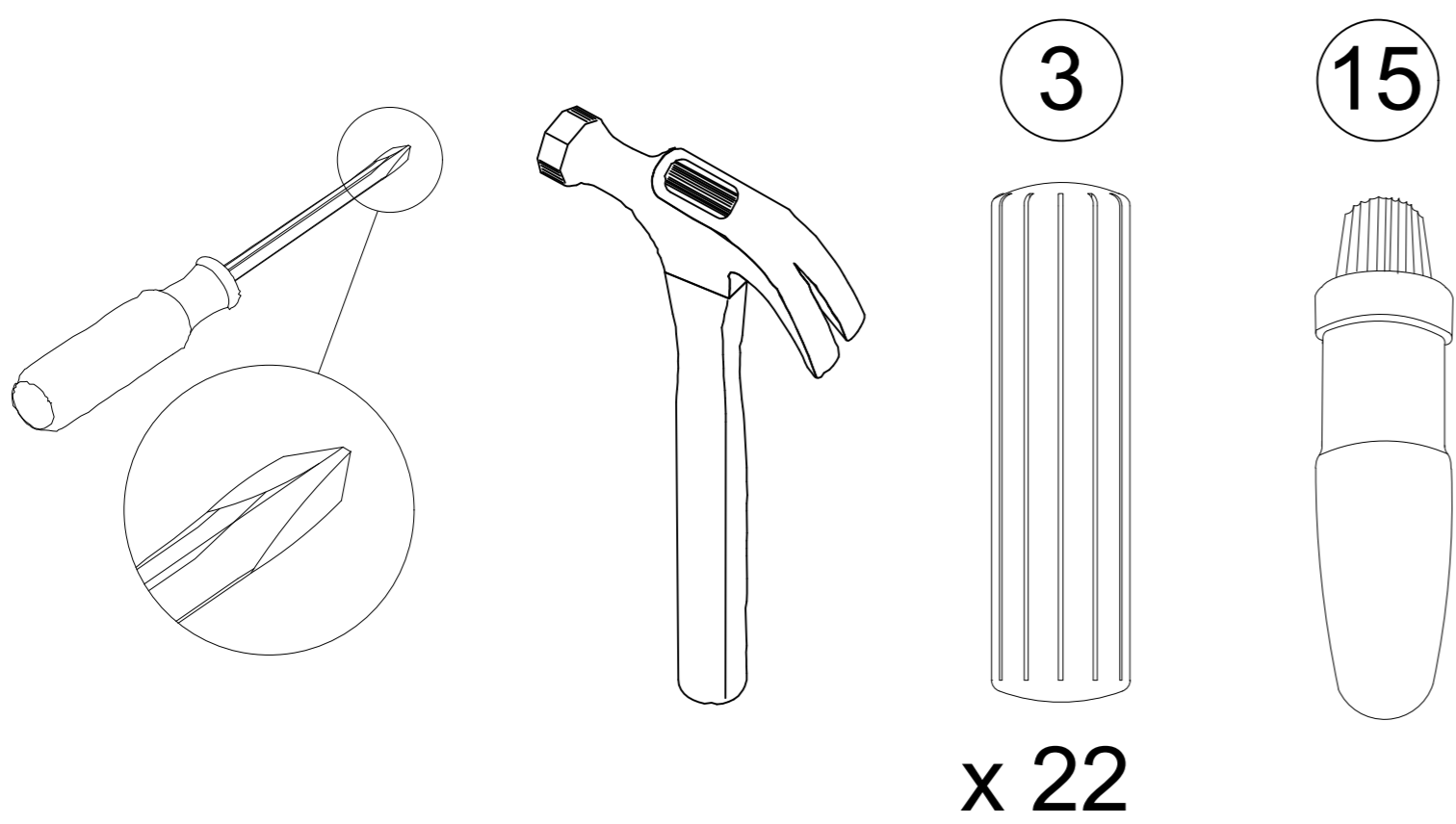
## STEP 3



- Attach five Cam Bolts (1) to Fixed Shelf Rail (F) as illustrated. Do NOT over-tighten.
- Attach three Cam Bolts (1) to Side Molding (J) x 2 as illustrated. Do NOT over-tighten.

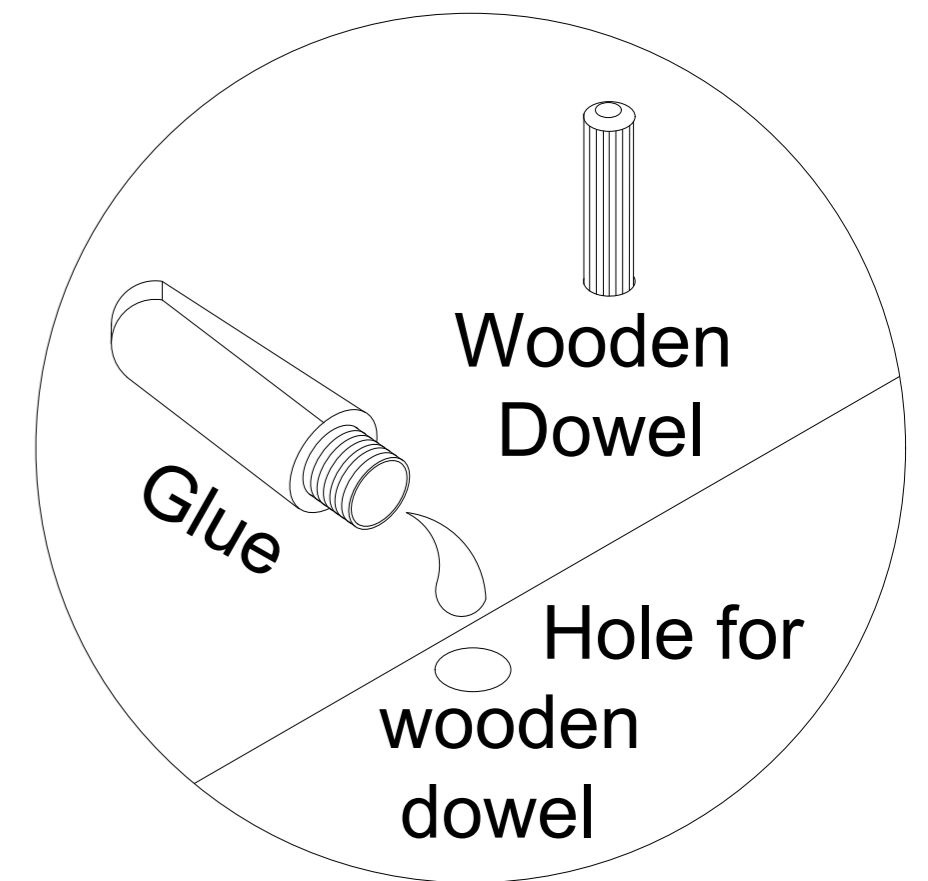


## STEP 4



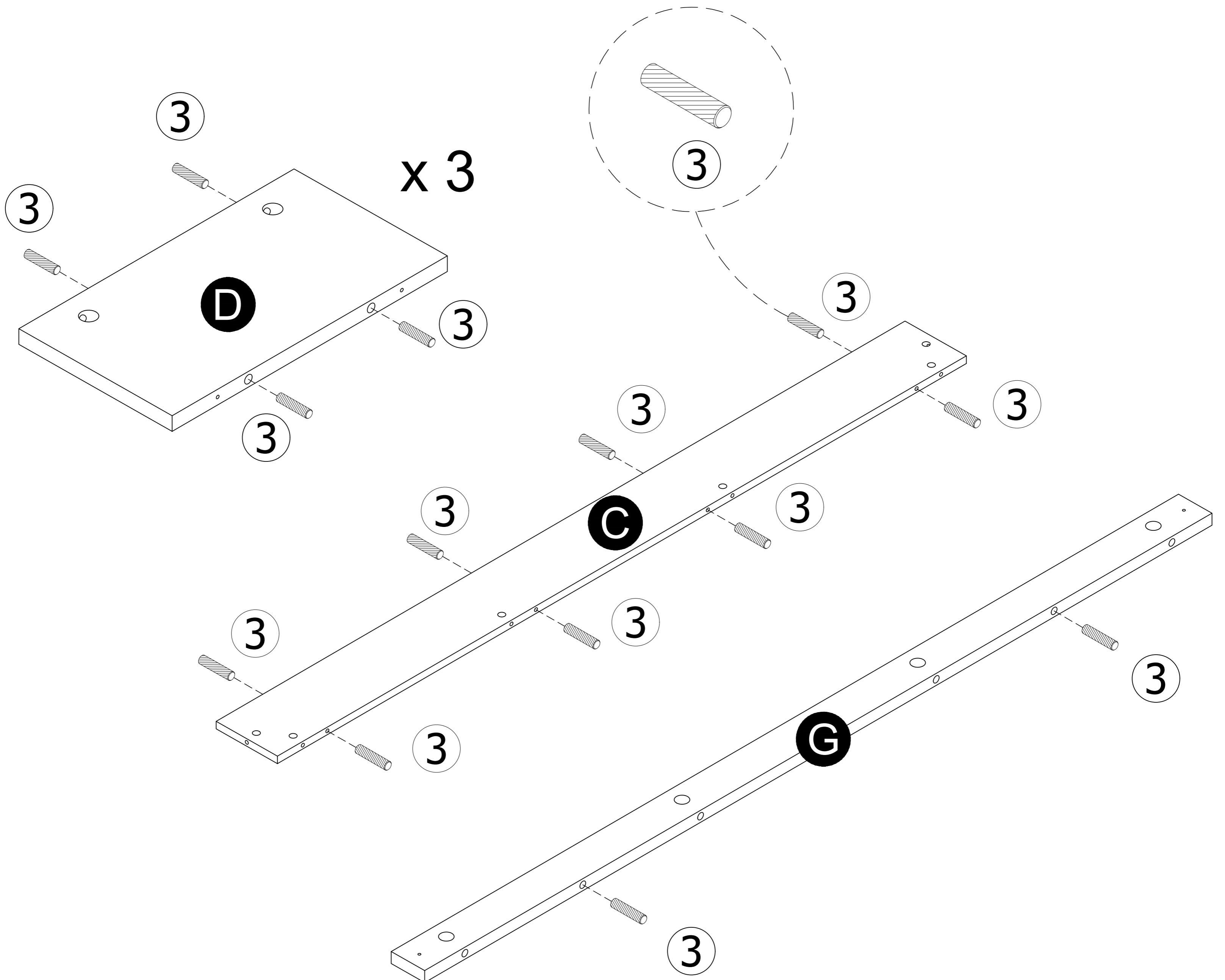
x 22

Dowels extend out 3/8". For more details, please see page 4

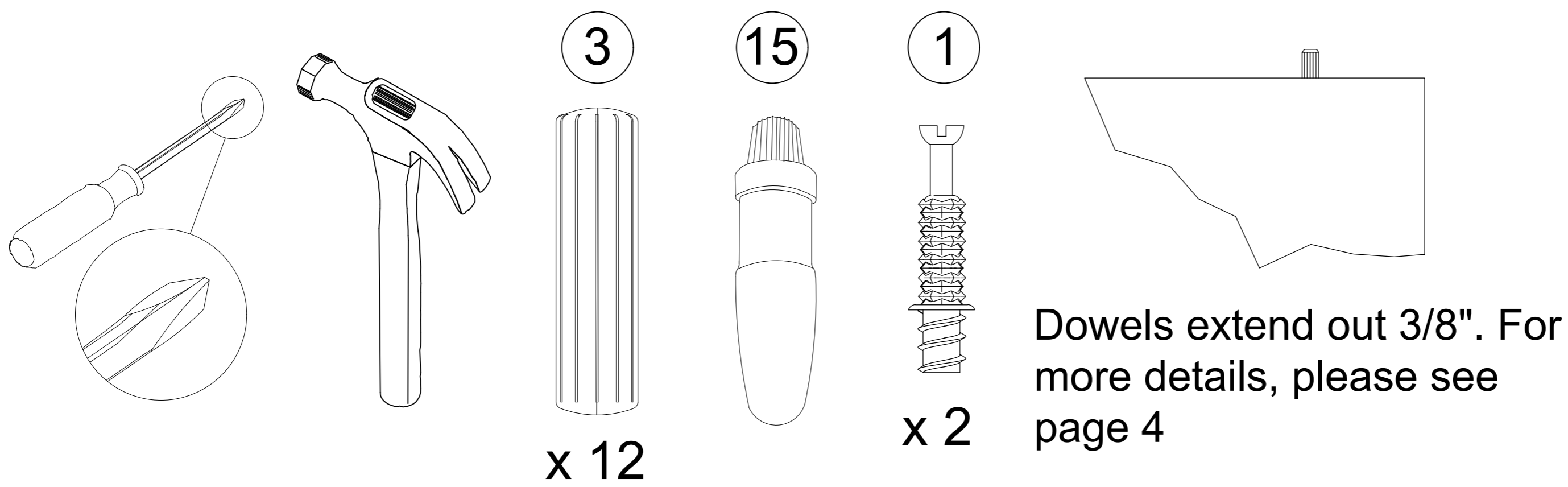


Use one drop of glue in dowel hole.

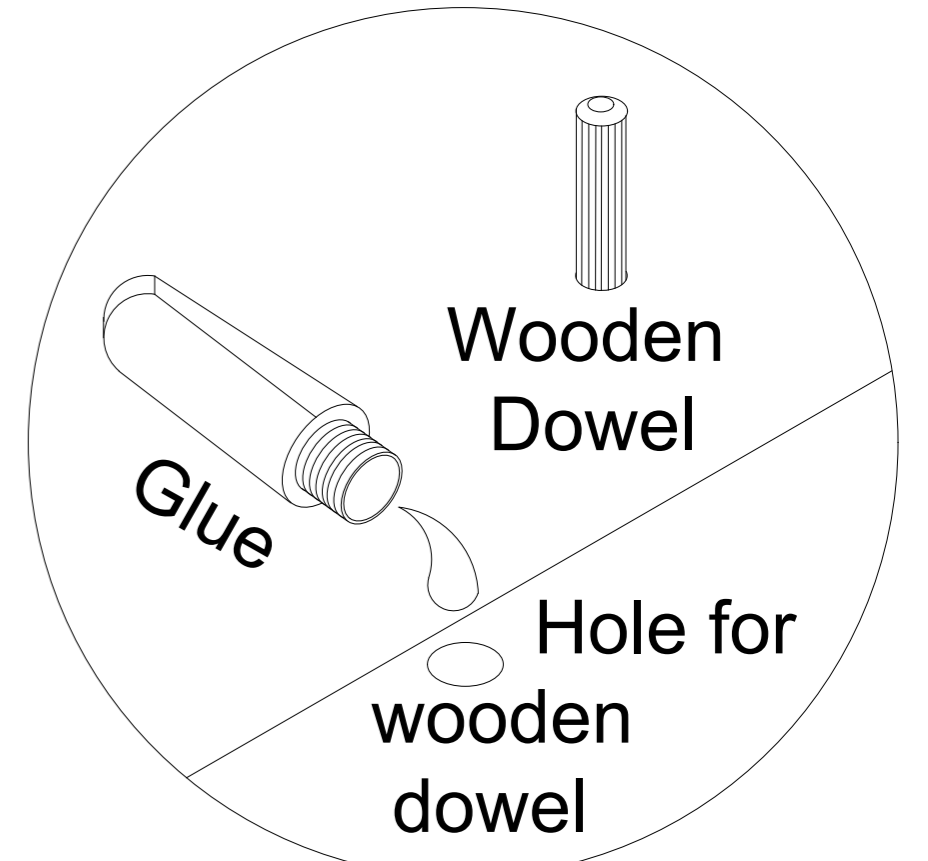
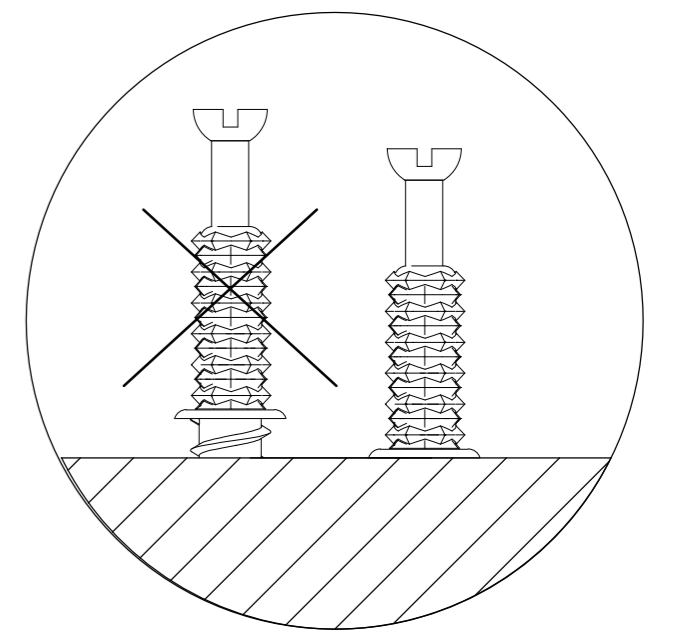
- Insert four Wood Dowels (3) into Upper Partition (D) x 3 as illustrated.
- Insert eight Wood Dowels (3) into Upper Back Panel (C) as illustrated.
- Insert two Wood Dowels (3) into Upper Molding (G) as illustrated.



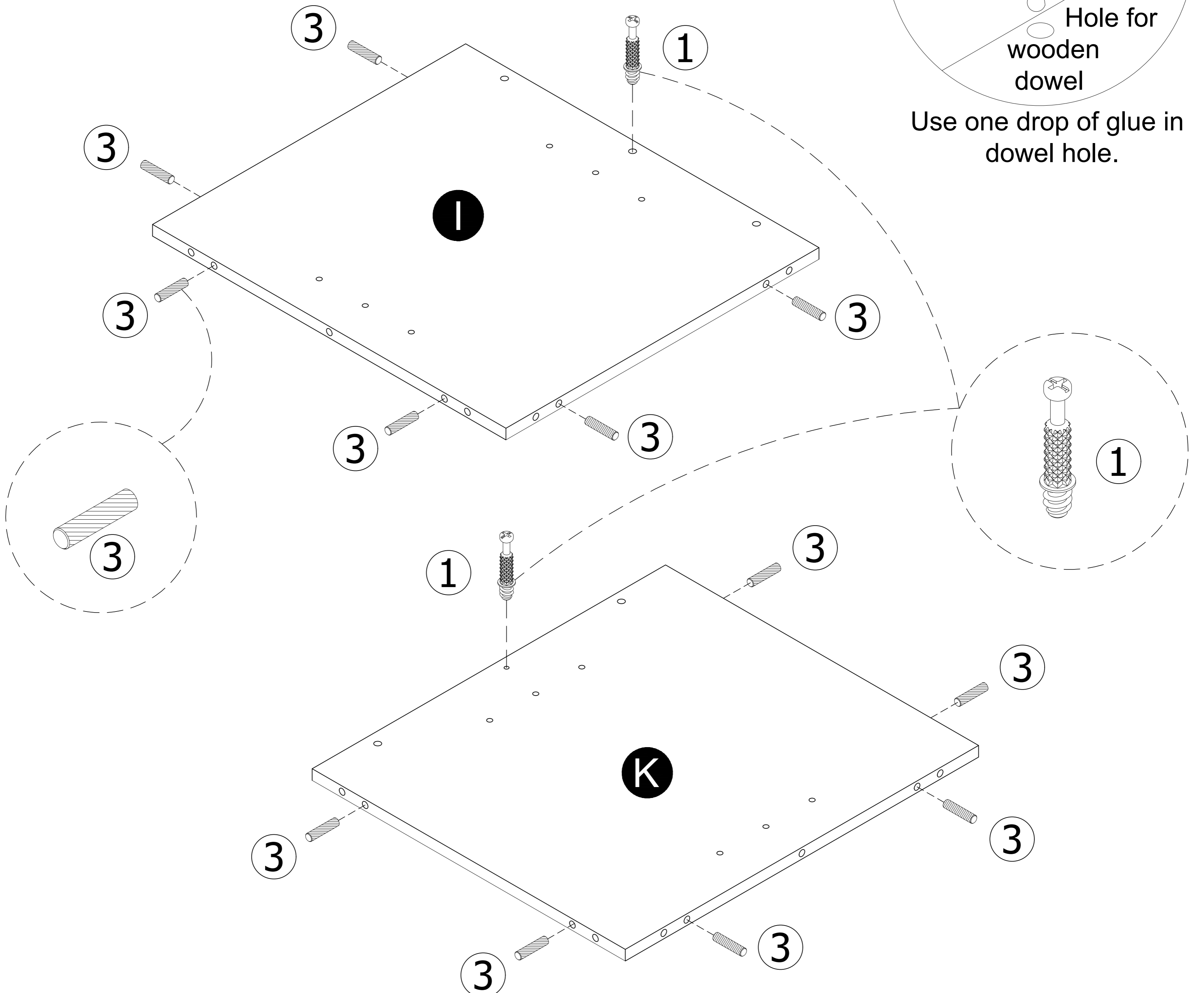
## STEP 5



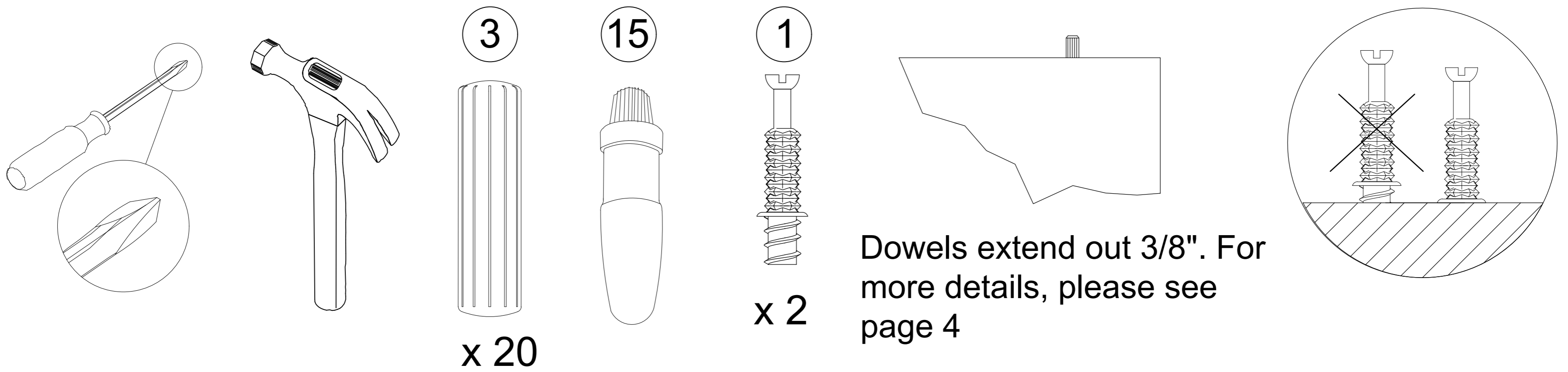
- Attach two Cam Bolts (1) to Left and Right Partition (I) & (K) as illustrated. Do NOT over-tighten.
- Insert 12 Wood Dowels (3) into Left and Right Partition (I) & (K) as illustrated.



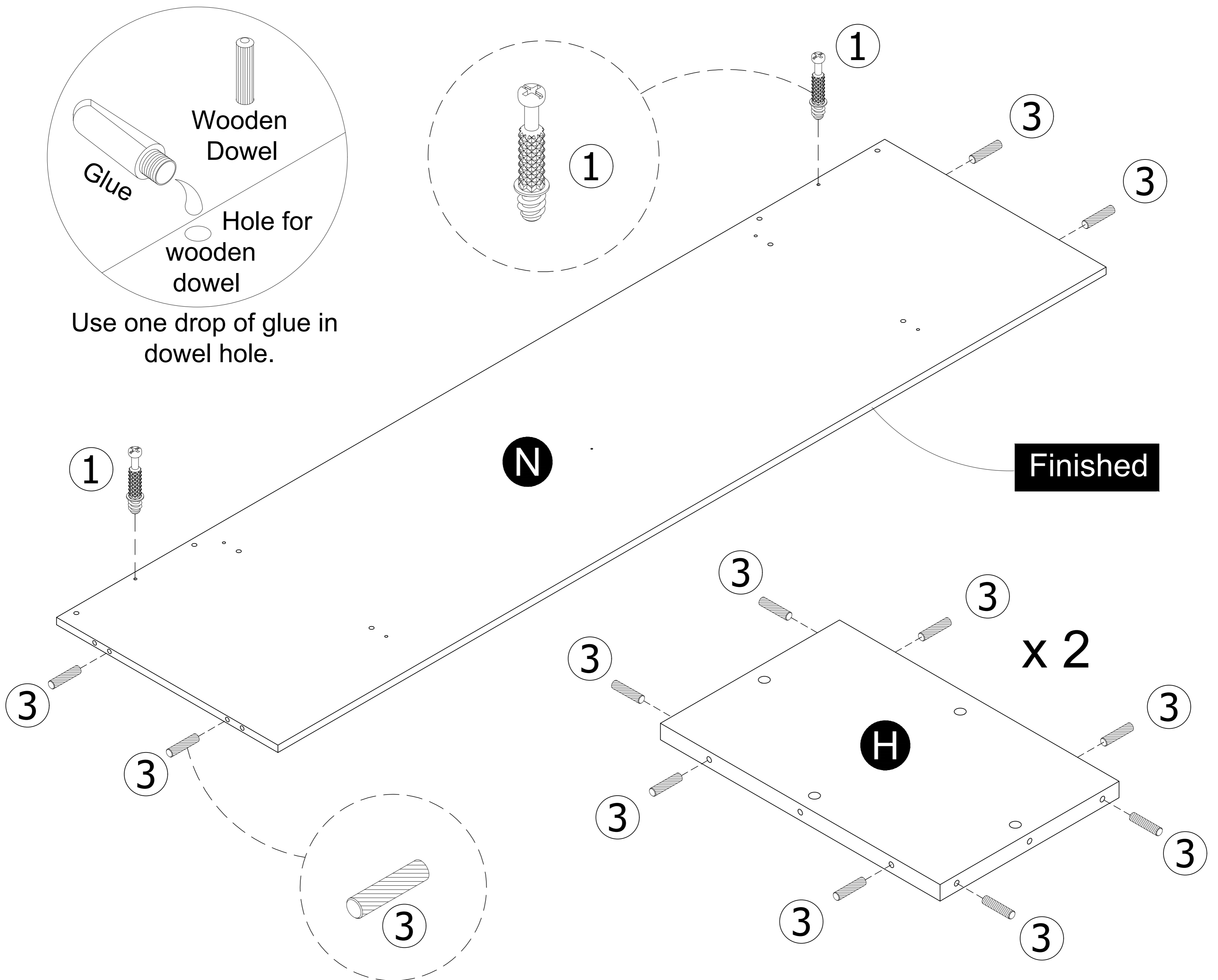
Use one drop of glue in dowel hole.



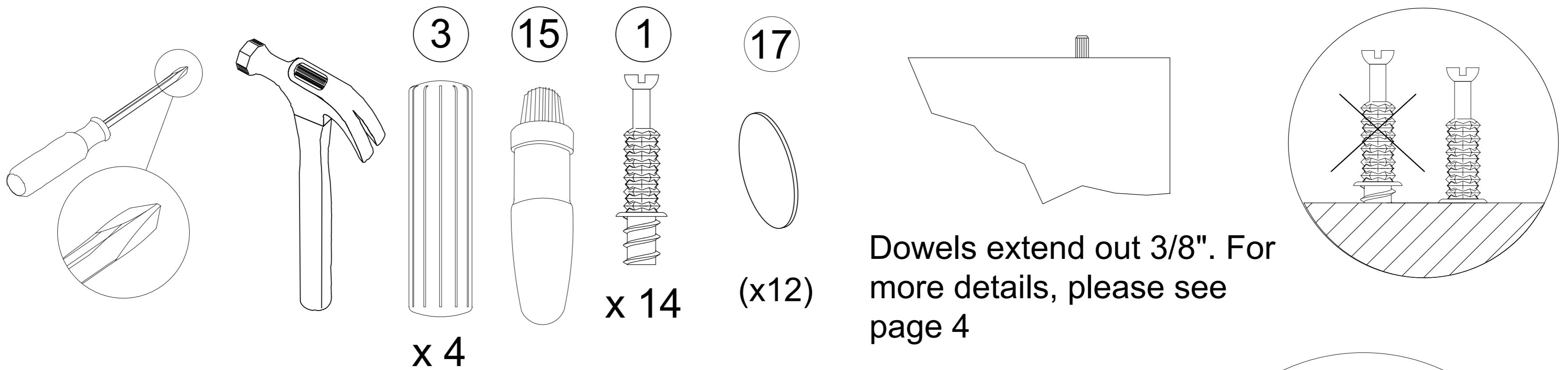
# STEP 6



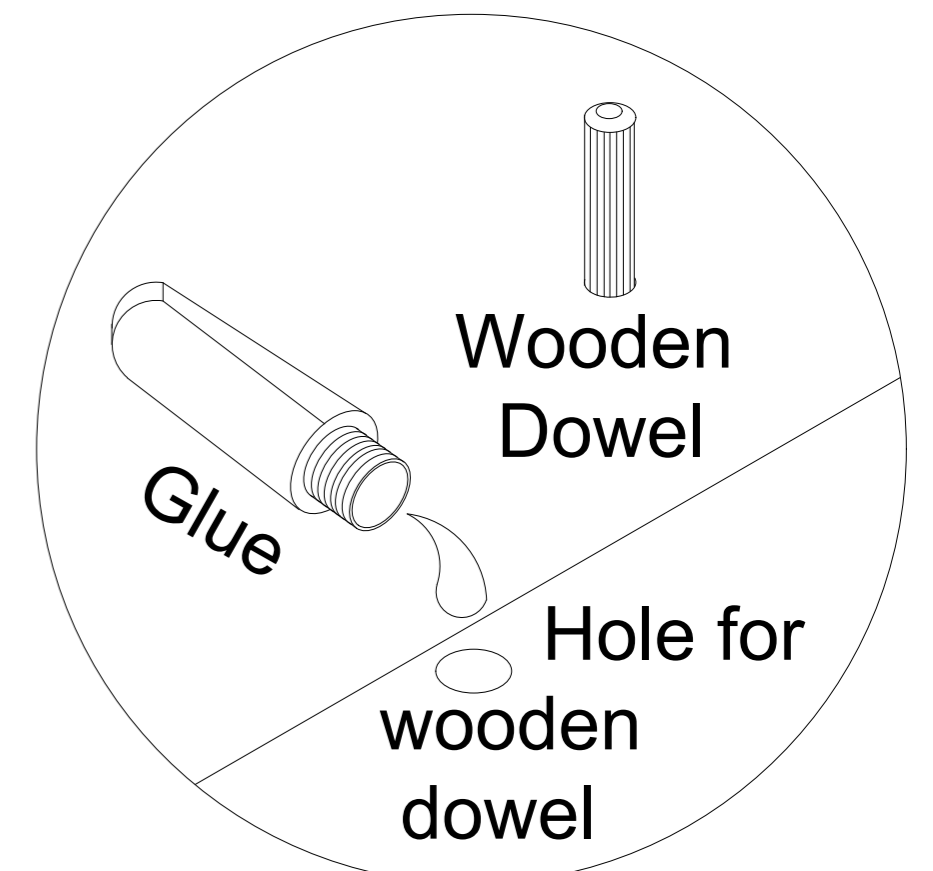
- Attach two Cam Bolts (1) to Bottom Panel (N) as illustrated. Do NOT over-tighten.
- Insert four Wood Dowels (3) into Bottom Panel (N) as illustrated.
- Insert eight Wood Dowels (3) into Lower Back Panel (H) x 2 as illustrated.



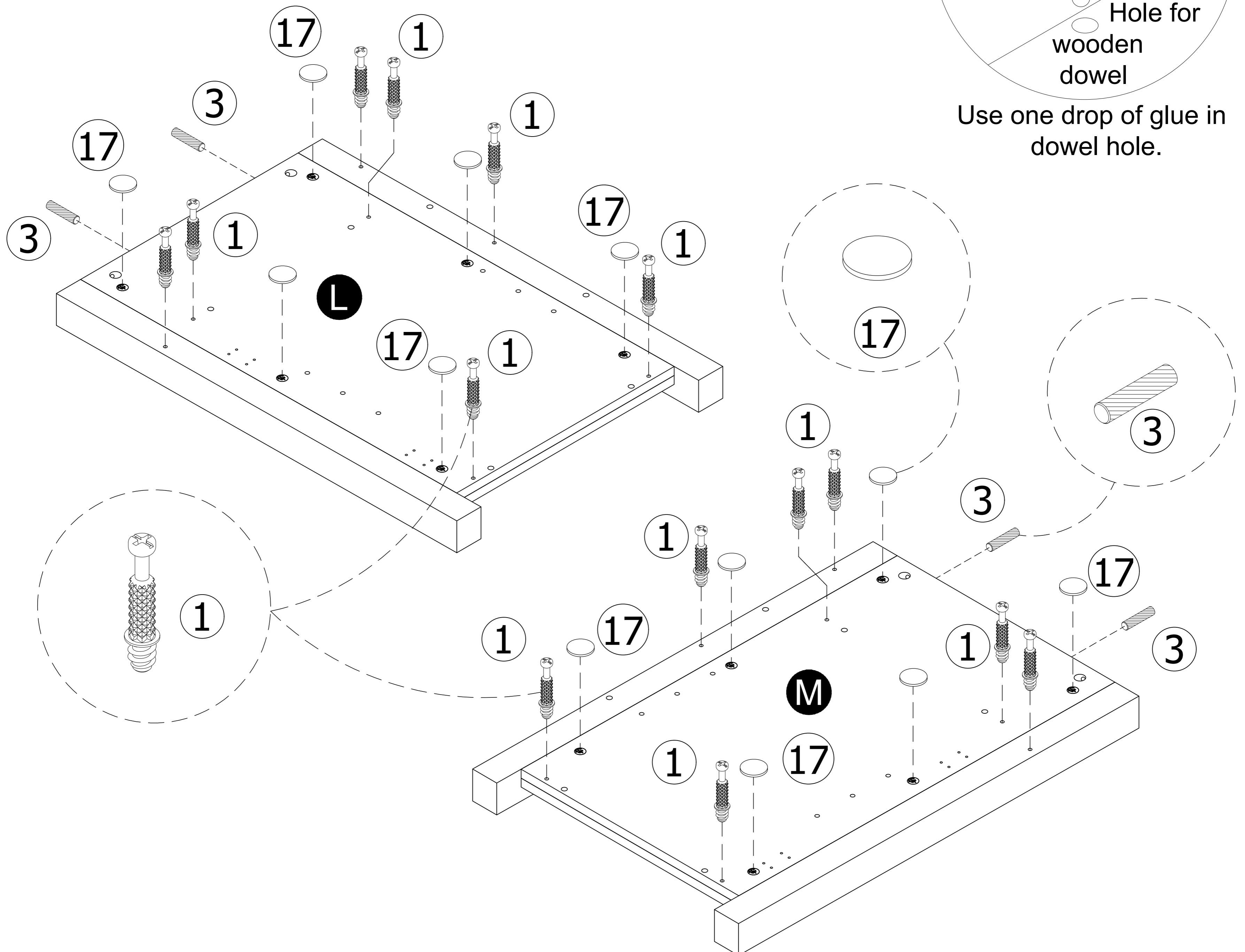
## STEP 7



- Attach 14 Cam Bolts (1) to Left and Right Side Panel (L) & (M) as illustrated. Do NOT over-tighten.
- Insert four Wood Dowels (3) into Left and Right Side Panel (L) & (M) as illustrated.
- Attach 12 Cam Covers (17) to Left and Right Side Panel (L) & (M) as illustrated.

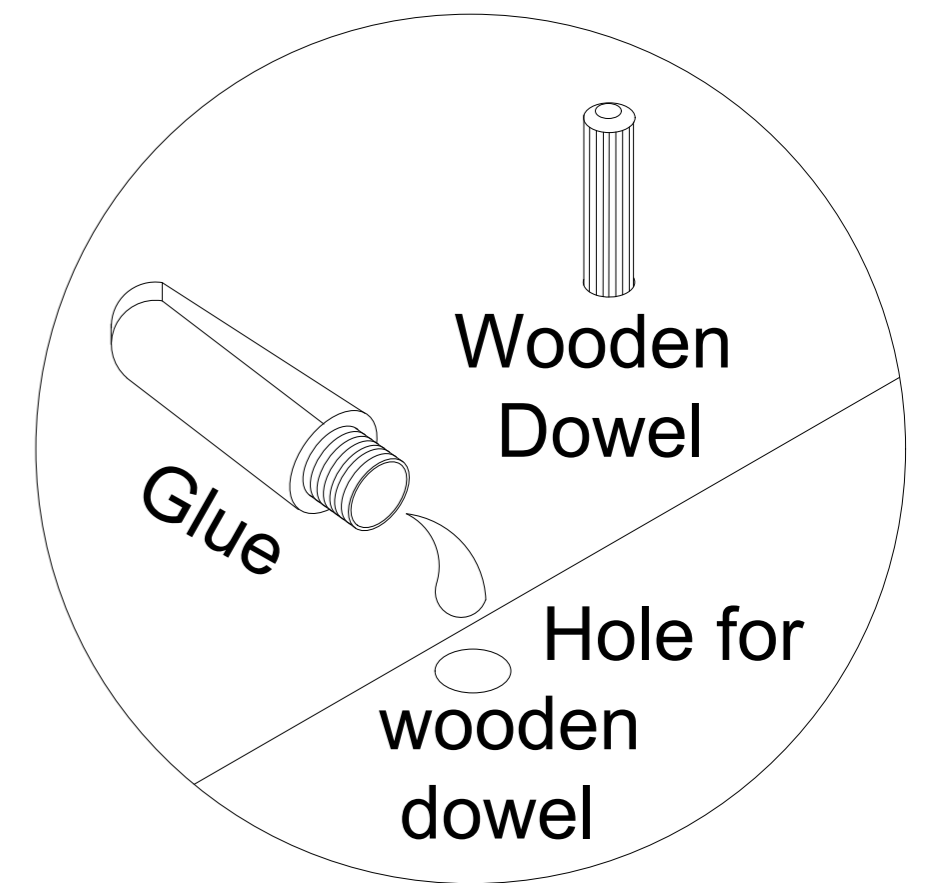
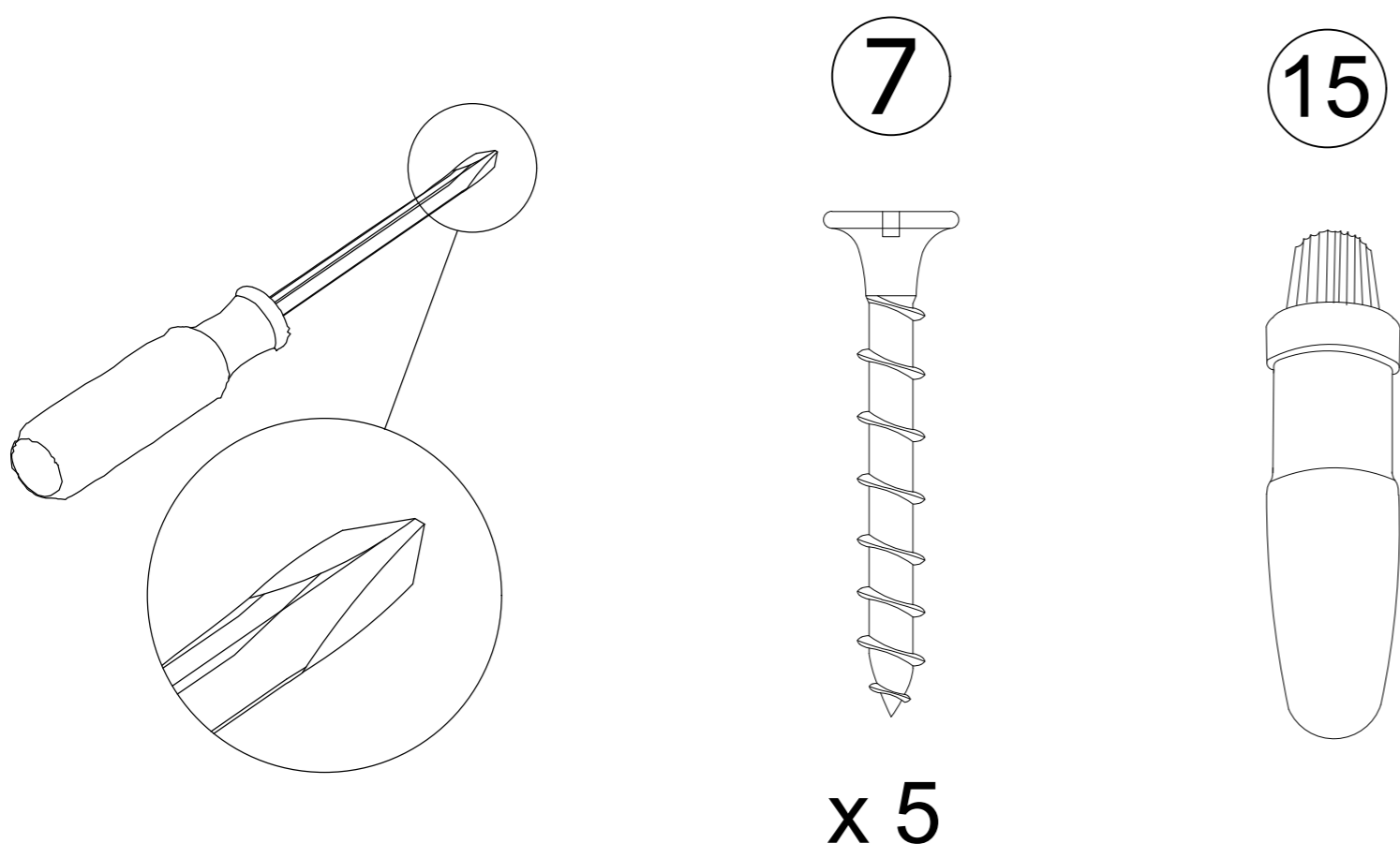


Use one drop of glue in dowel hole.



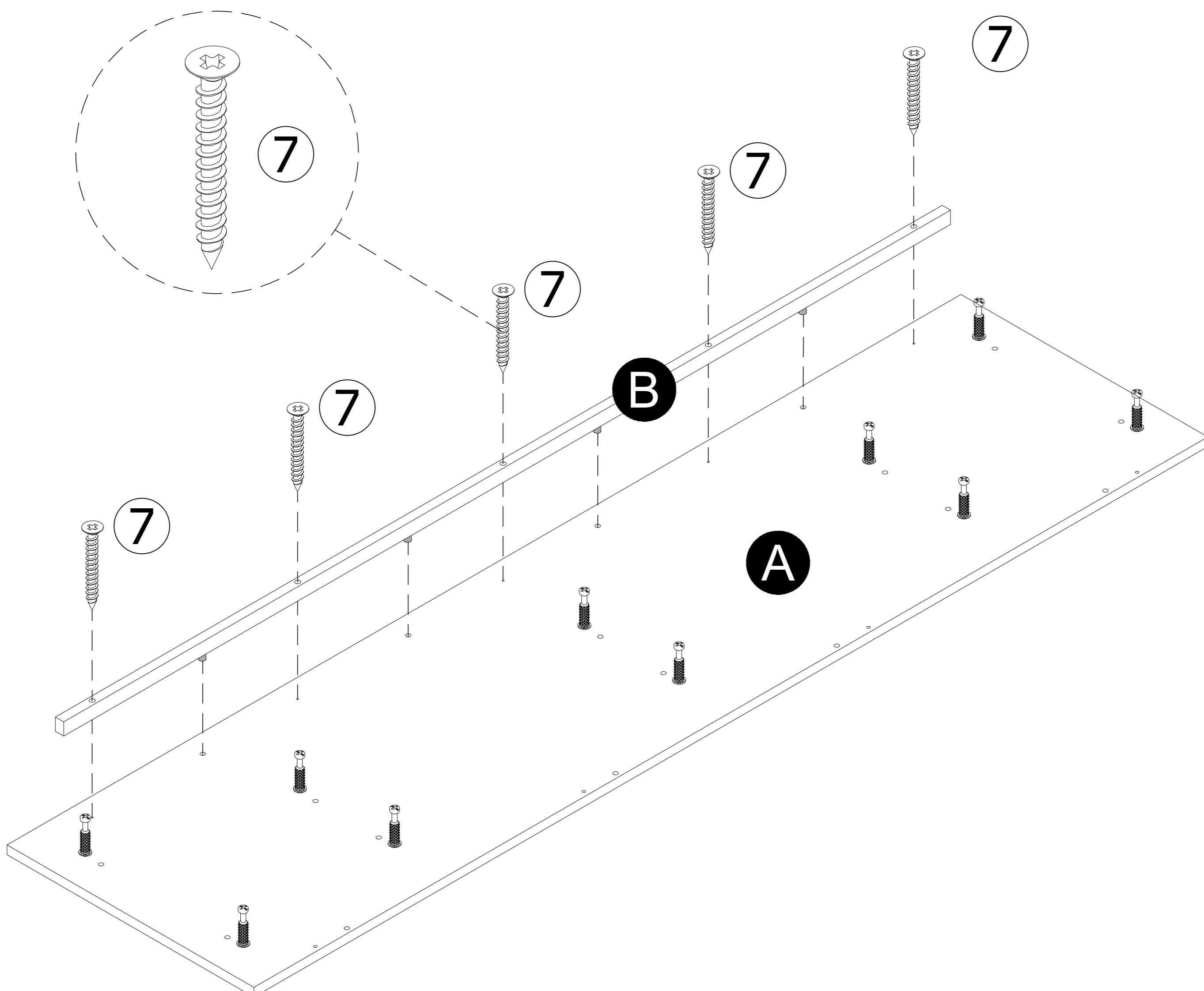


## STEP 8

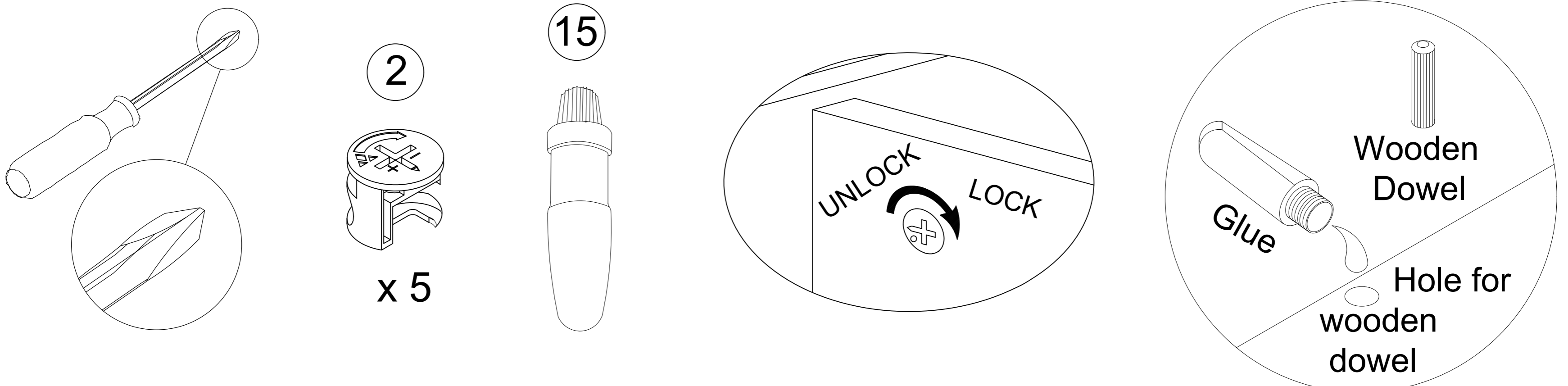


Use one drop of glue in dowel hole.

- Attach Top Apron (B) to Top Panel (A) using five Screws (7) as illustrated.

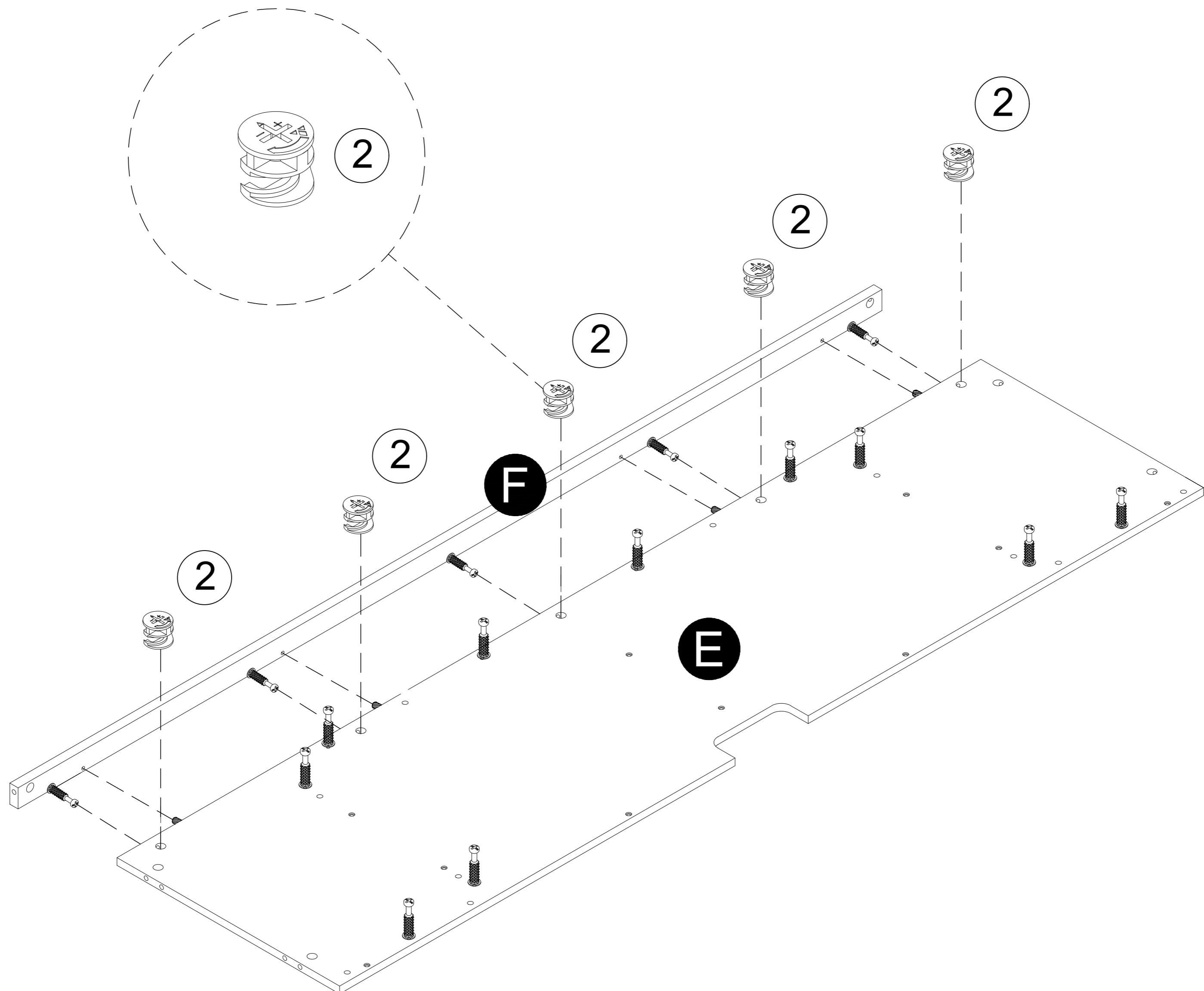


## STEP 9

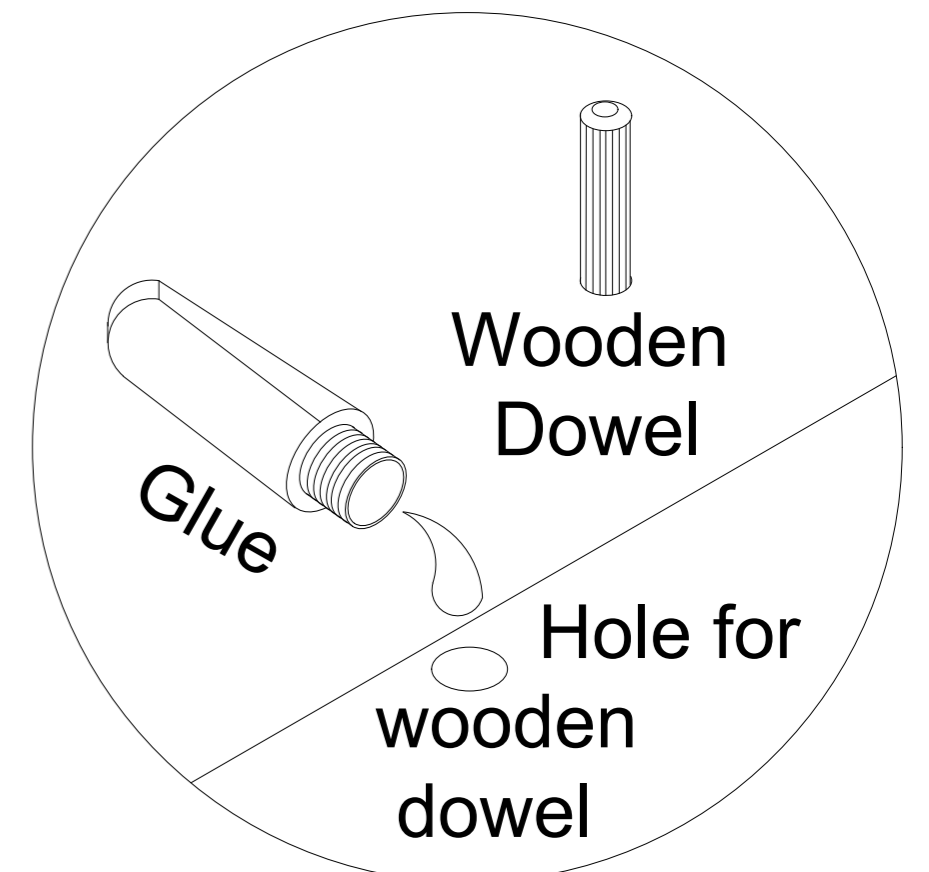
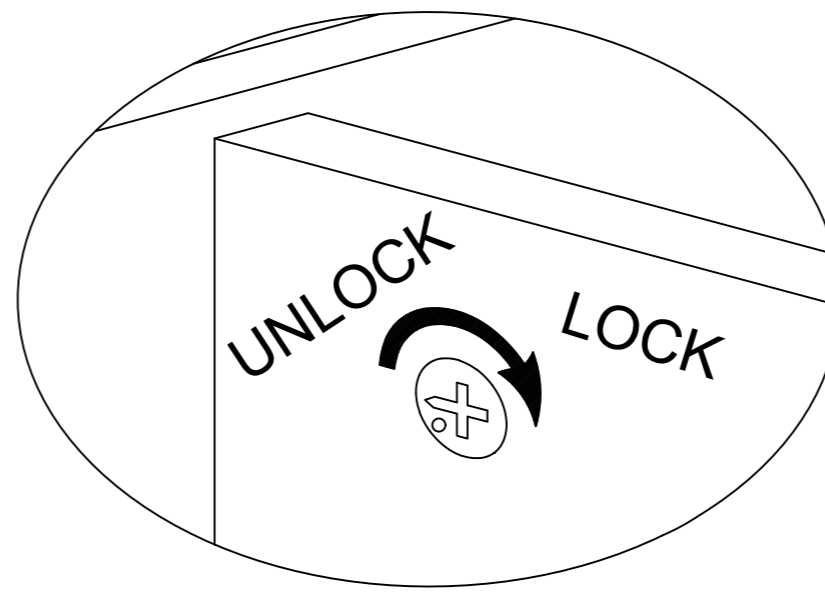
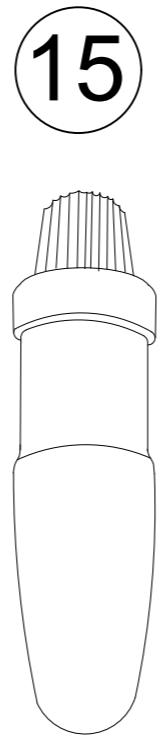
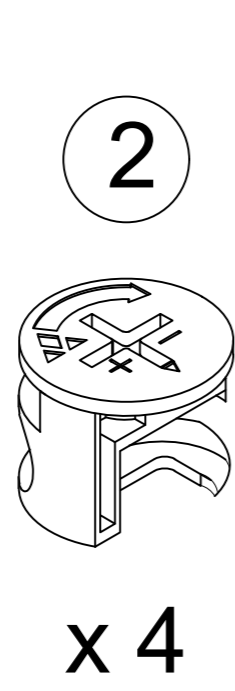
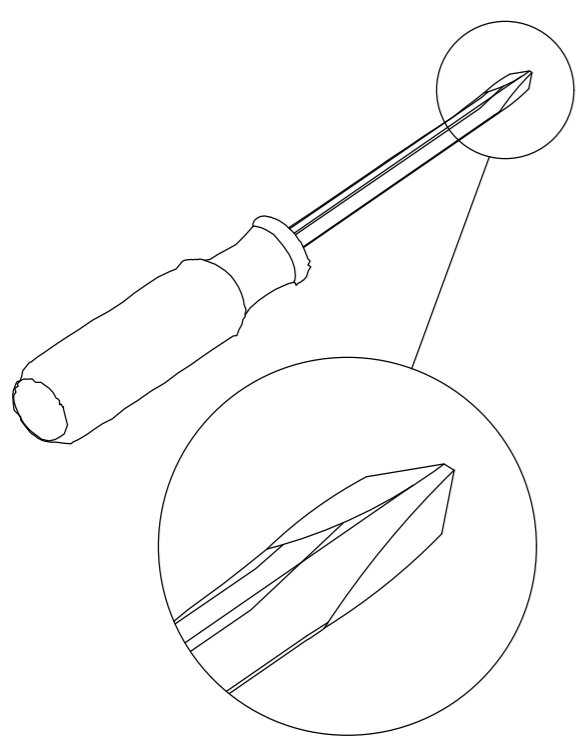


- Attach Fixed Shelf Rail (F) to Fixed Shelf (E) using five Cam Locks (2) as illustrated.

Use one drop of glue in dowel hole.

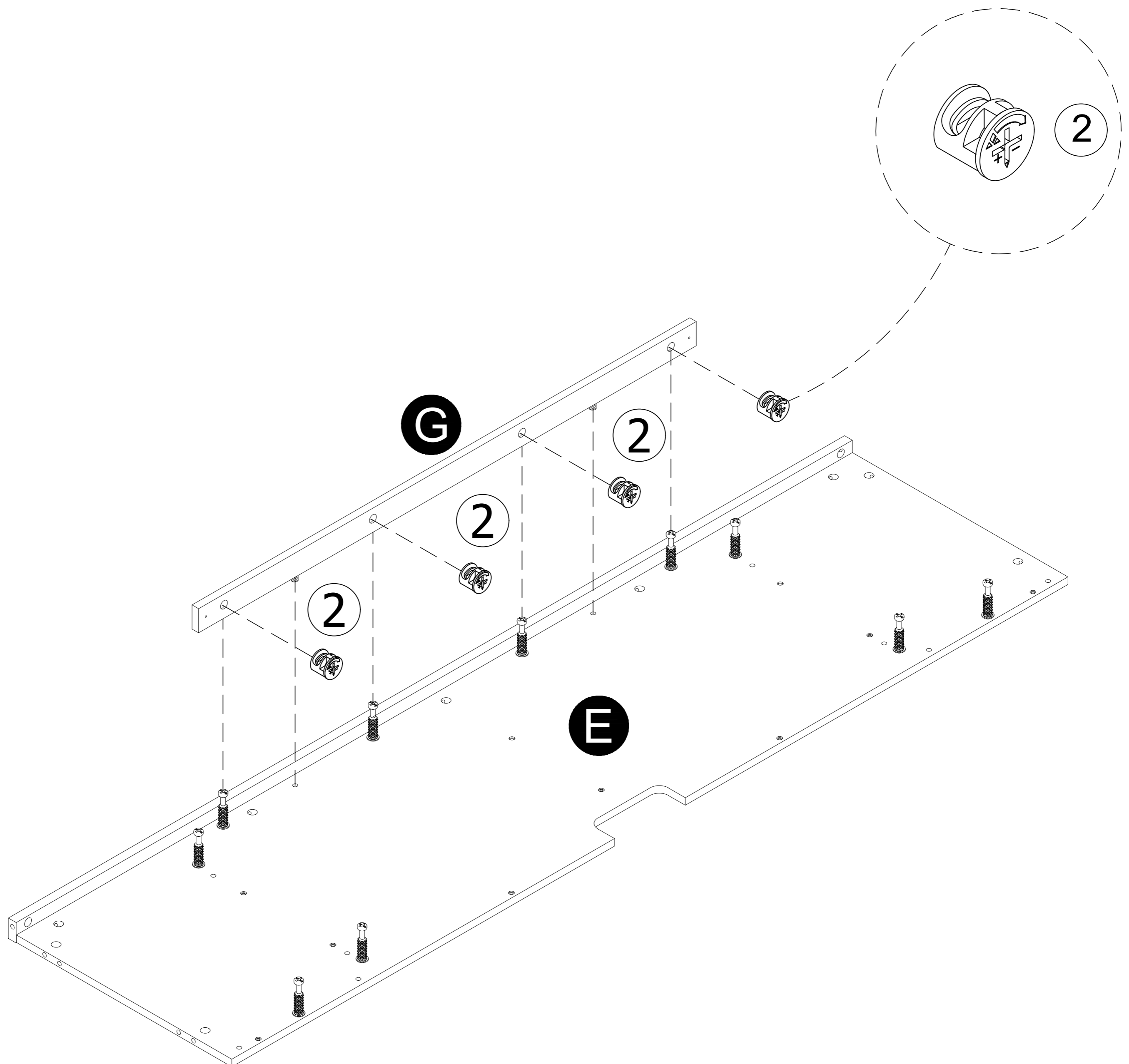


## STEP 10

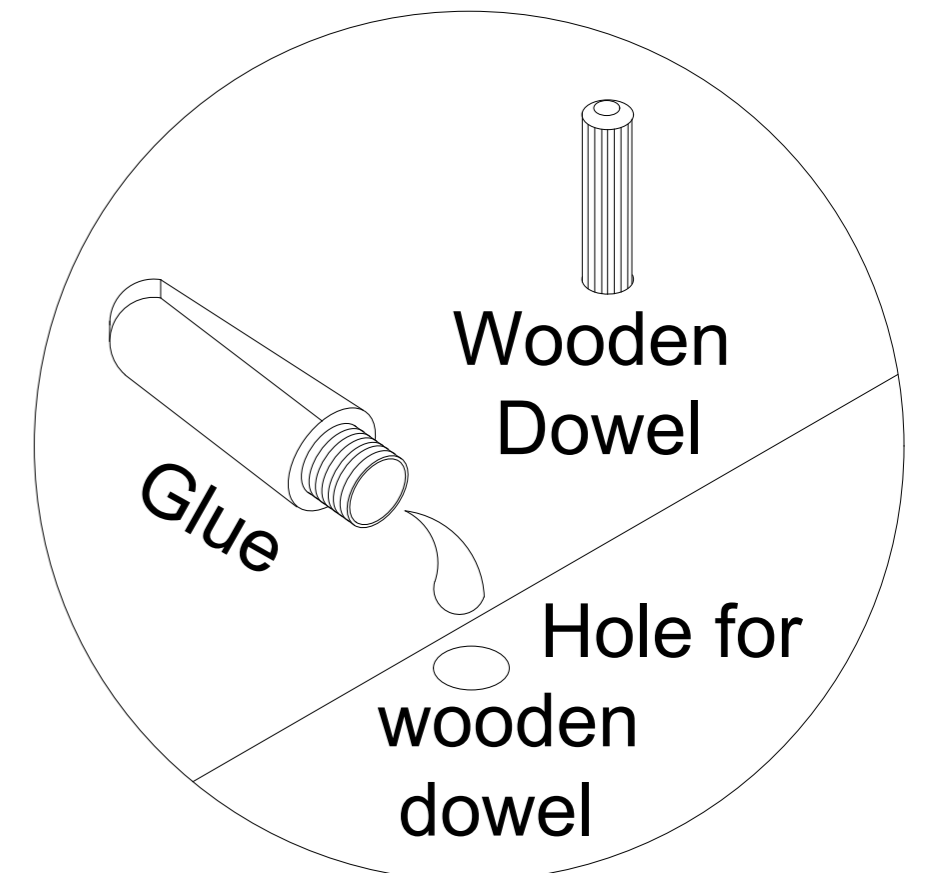
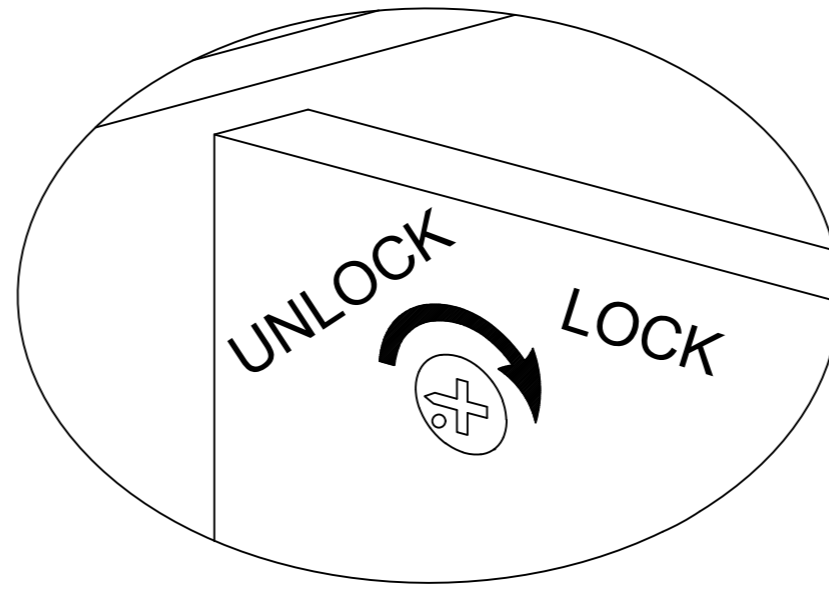
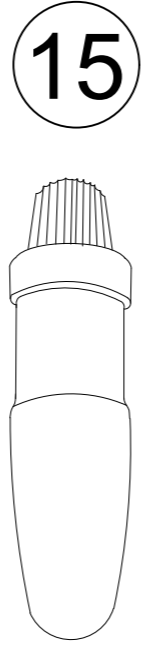
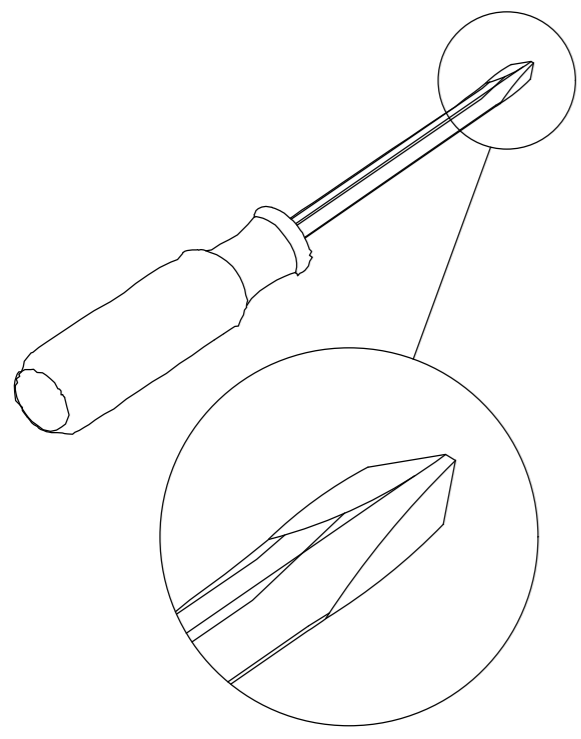


Use one drop of glue in dowel hole.

- Attach Upper Molding (G) to Fixed Shelf (E) using four Cam Locks (2) as illustrated.

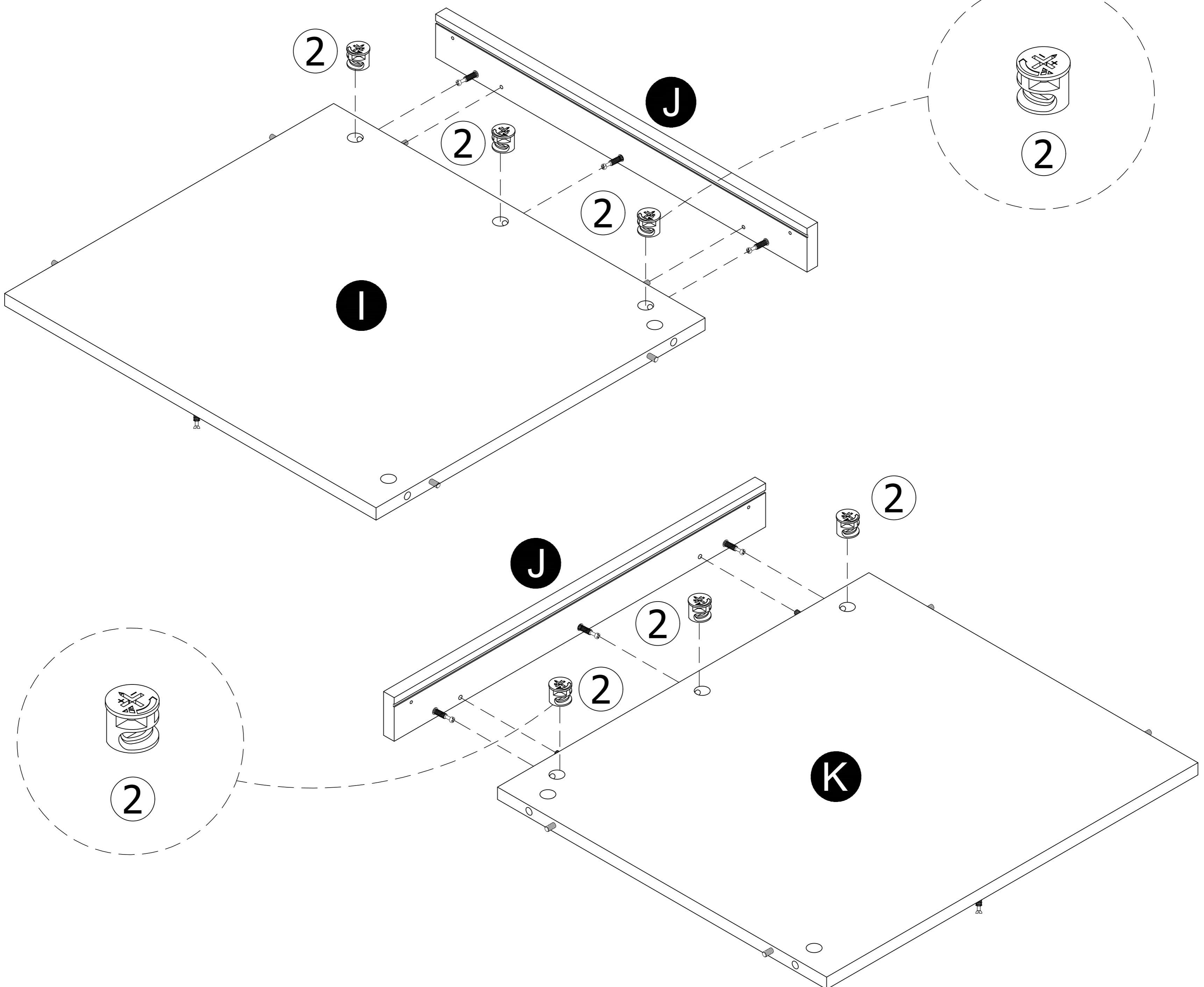


## STEP 11

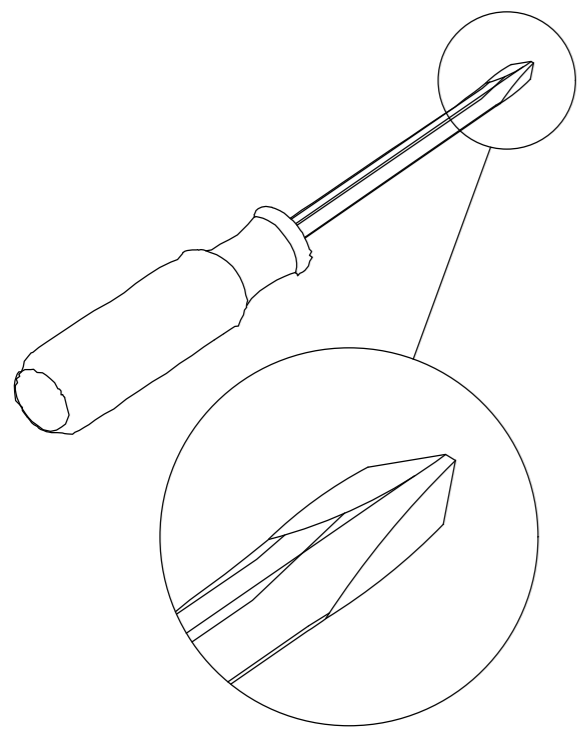


- Attach Side Molding (J) to Left and Right Partition (I) & (K) using six Cam Locks (2) as illustrated.

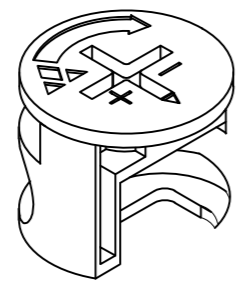
Use one drop of glue in dowel hole.



**STEP 12**

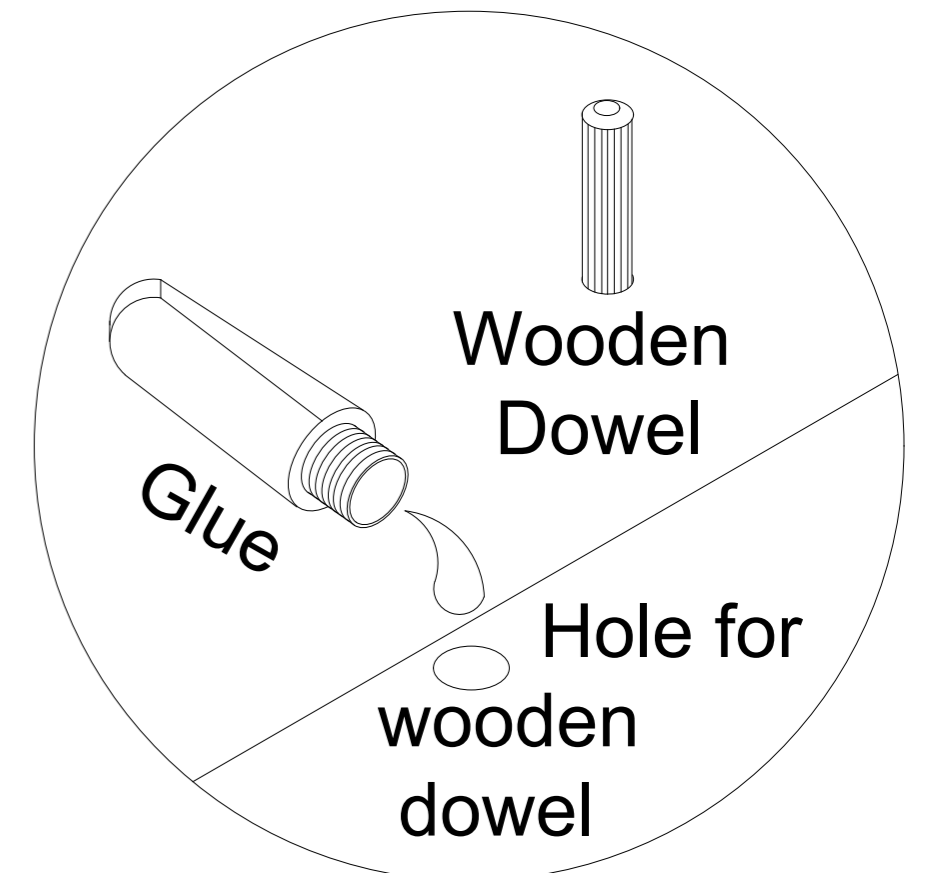
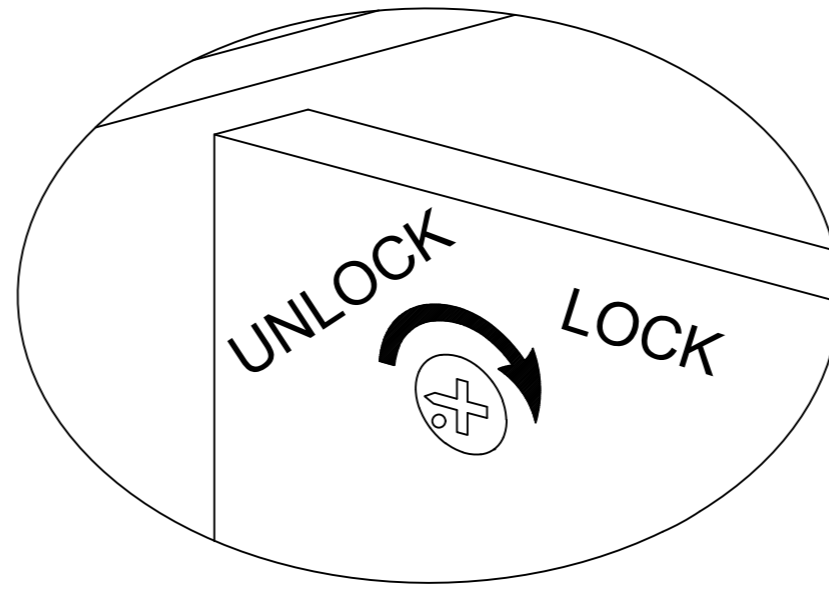
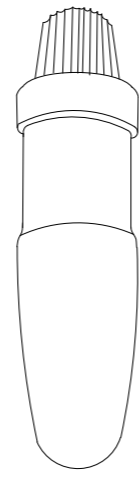


2



x 1

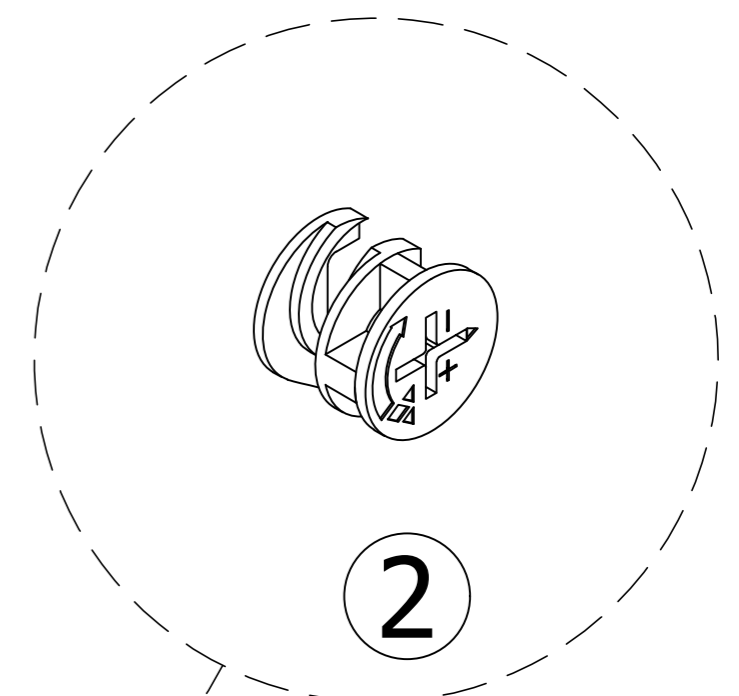
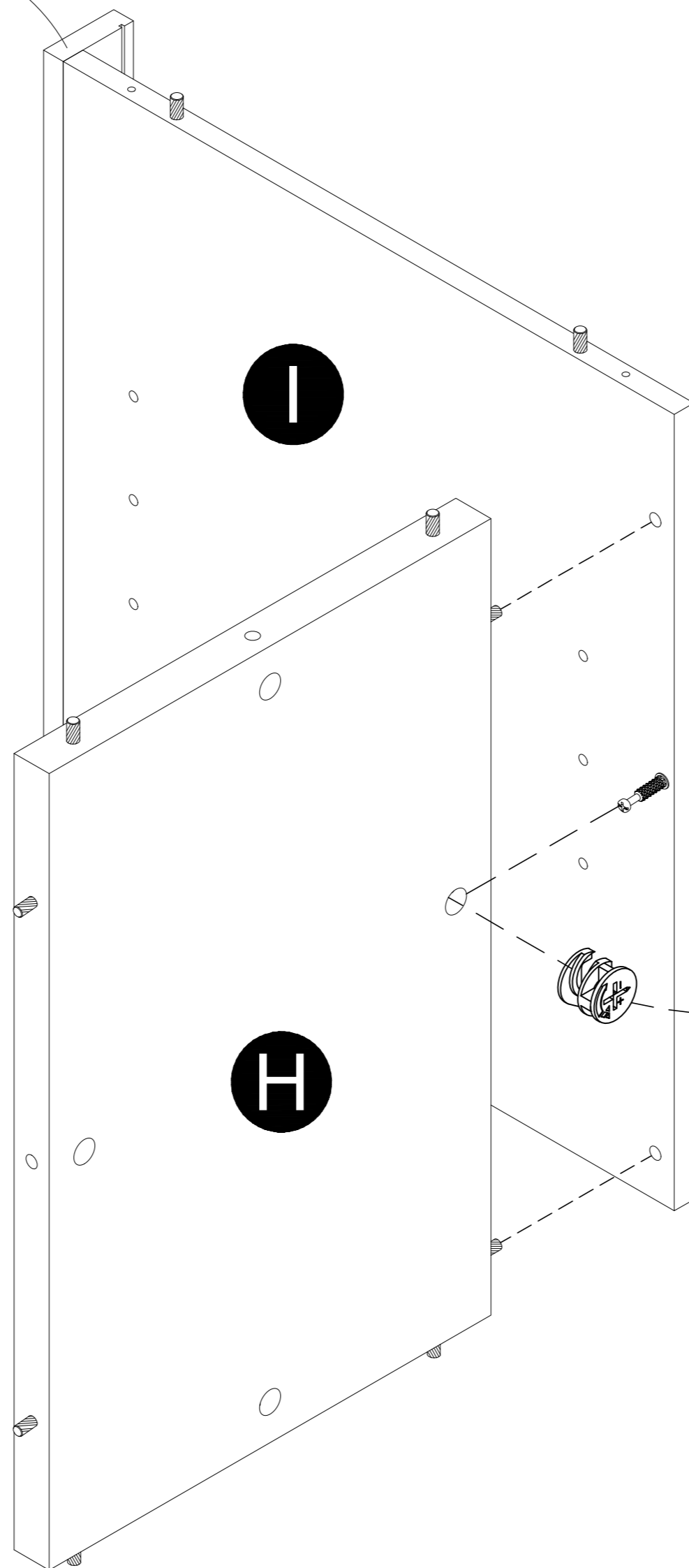
15



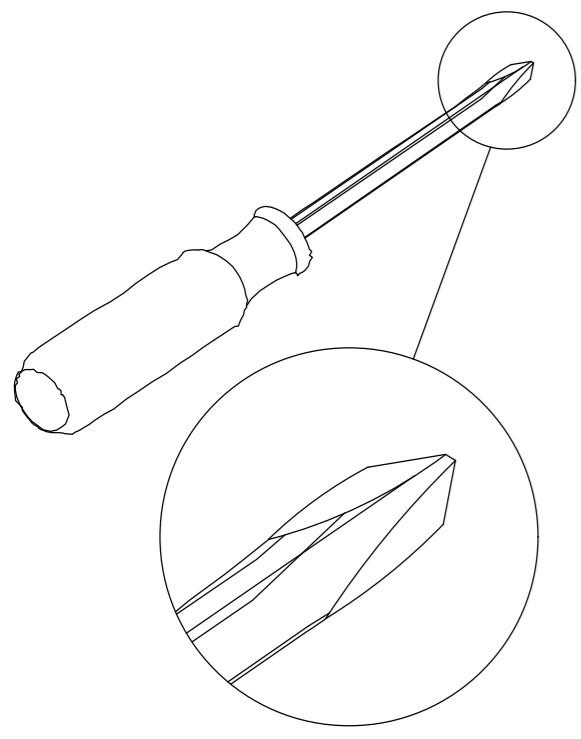
Use one drop of glue in dowel hole.

- Attach Lower Back Panel (H) to Left Partition (I) using Cam Lock (2) as illustrated.

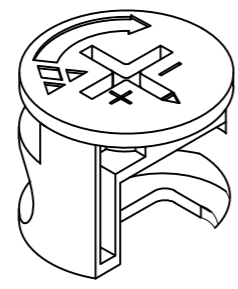
J



## STEP 13

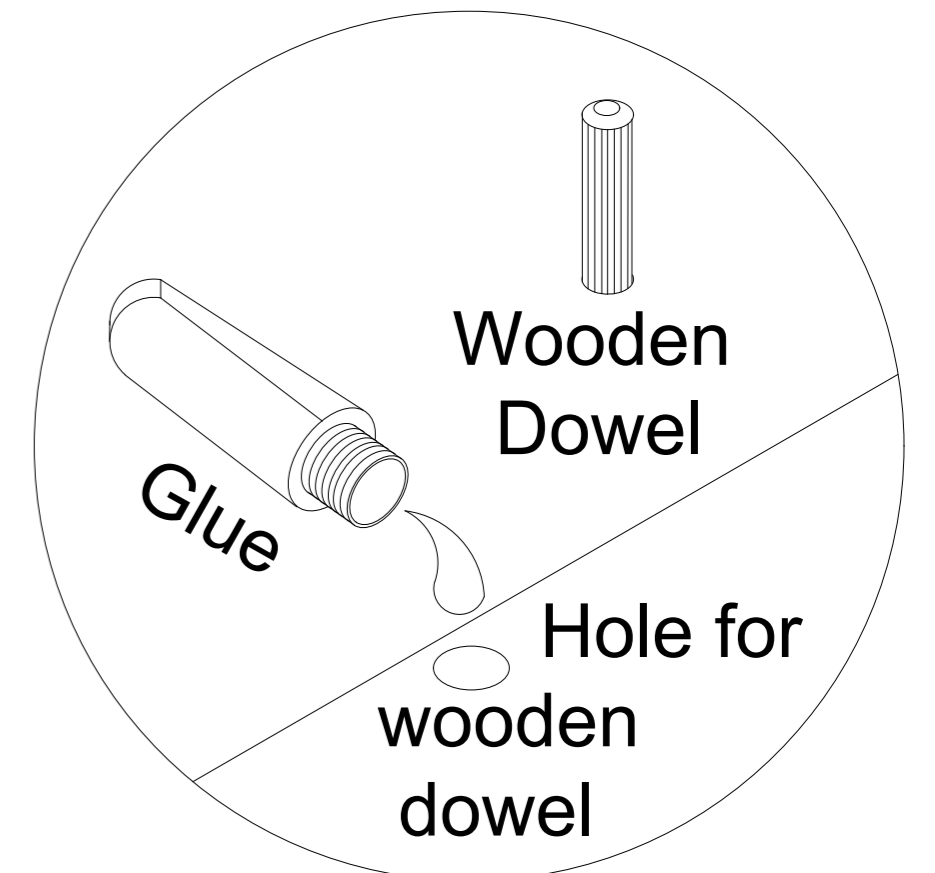
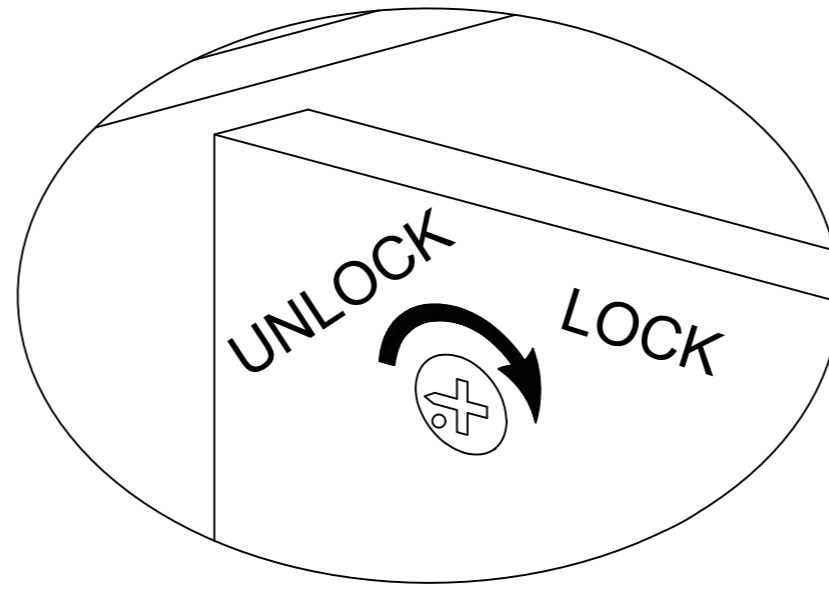
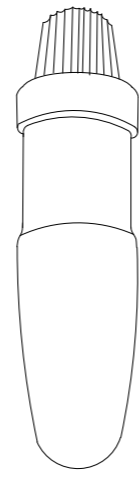


2



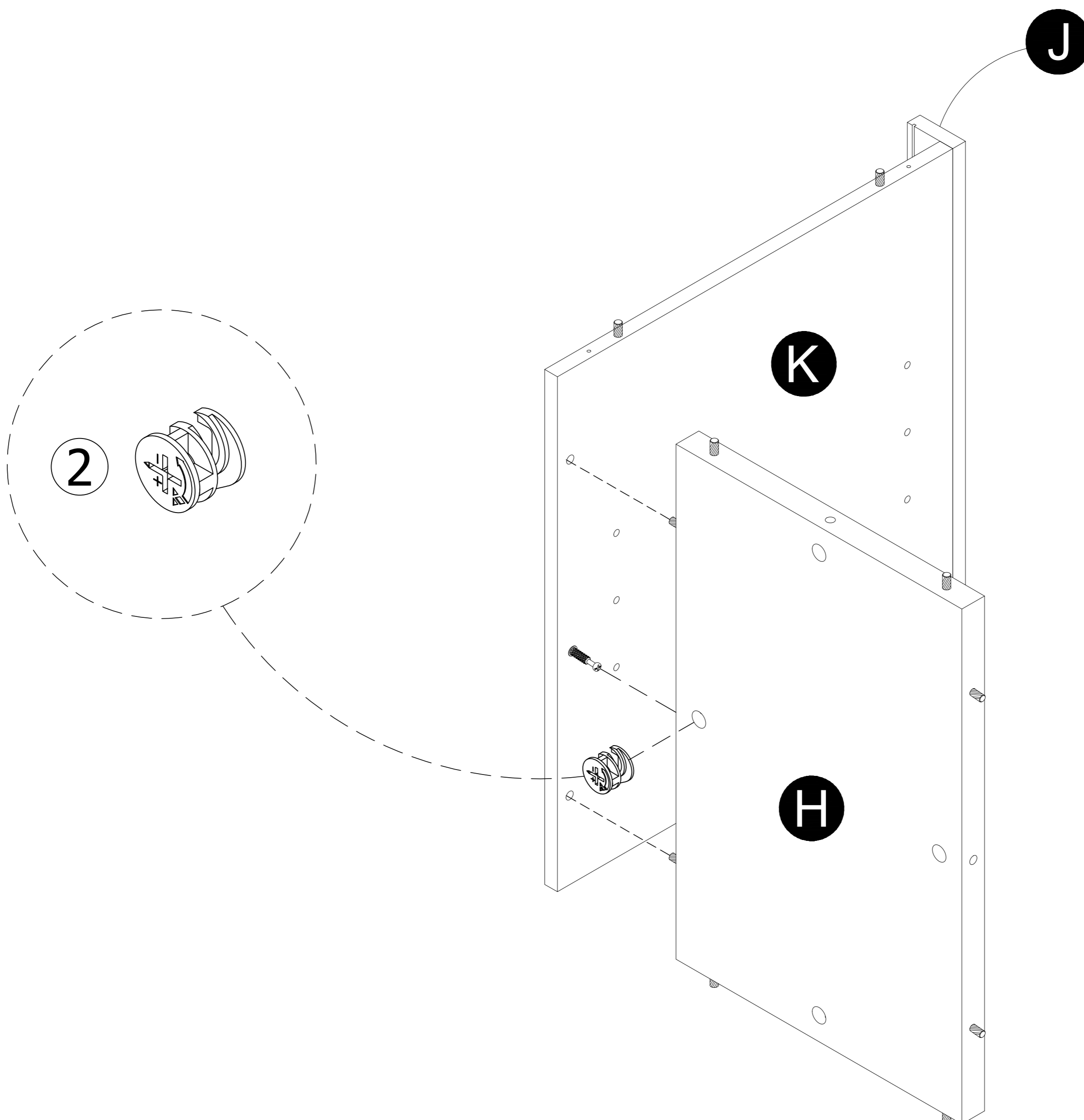
x 1

15

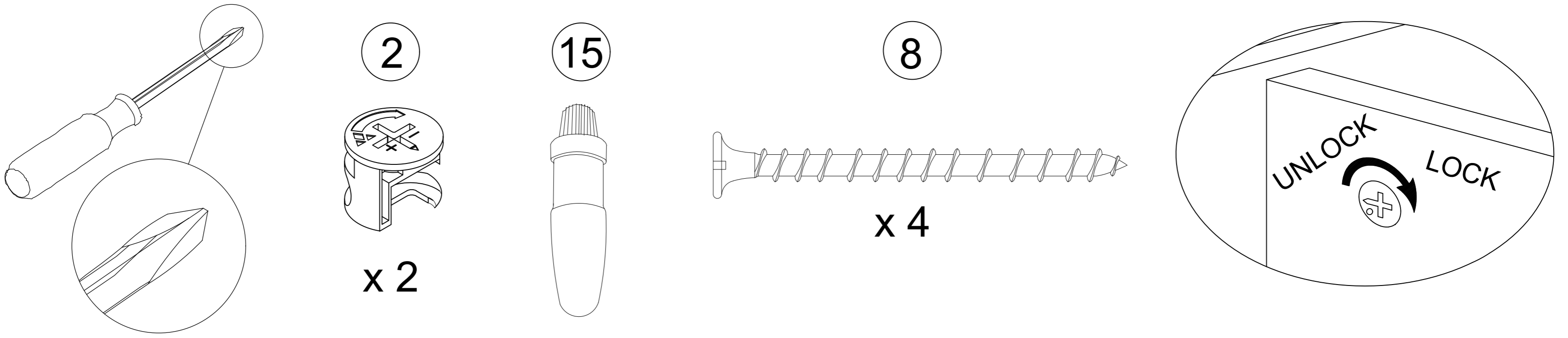


Use one drop of glue in dowel hole.

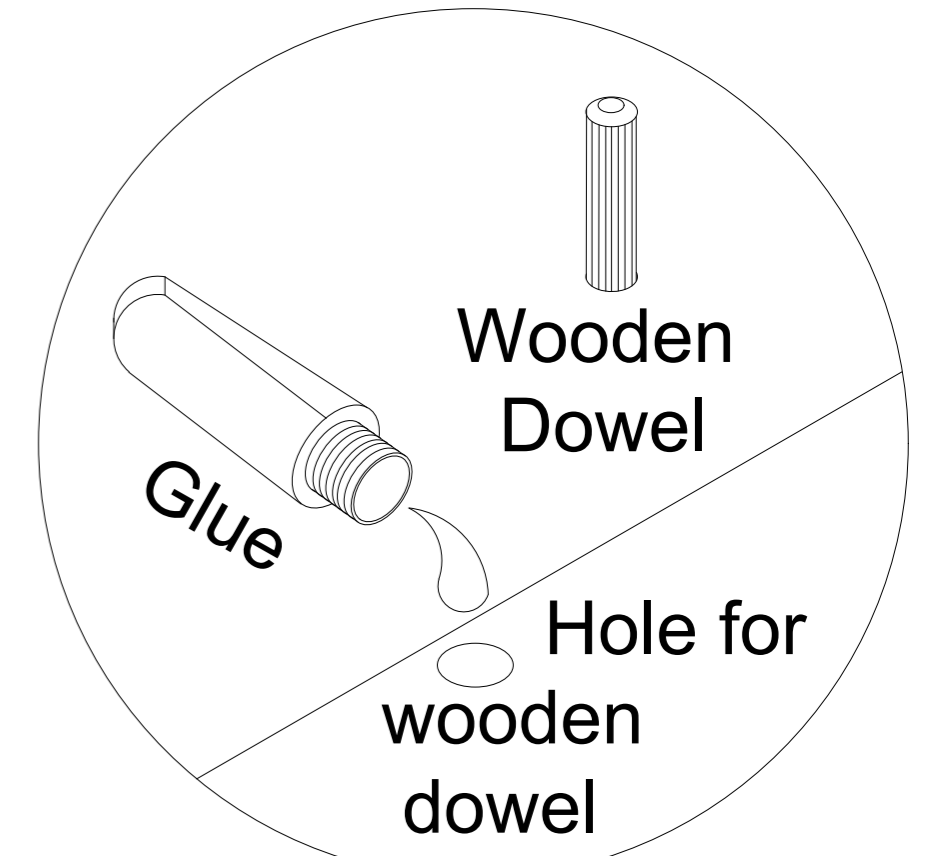
- Attach Lower Back Panel (H) to Right Partition (K) using Cam Lock (2) as illustrated.



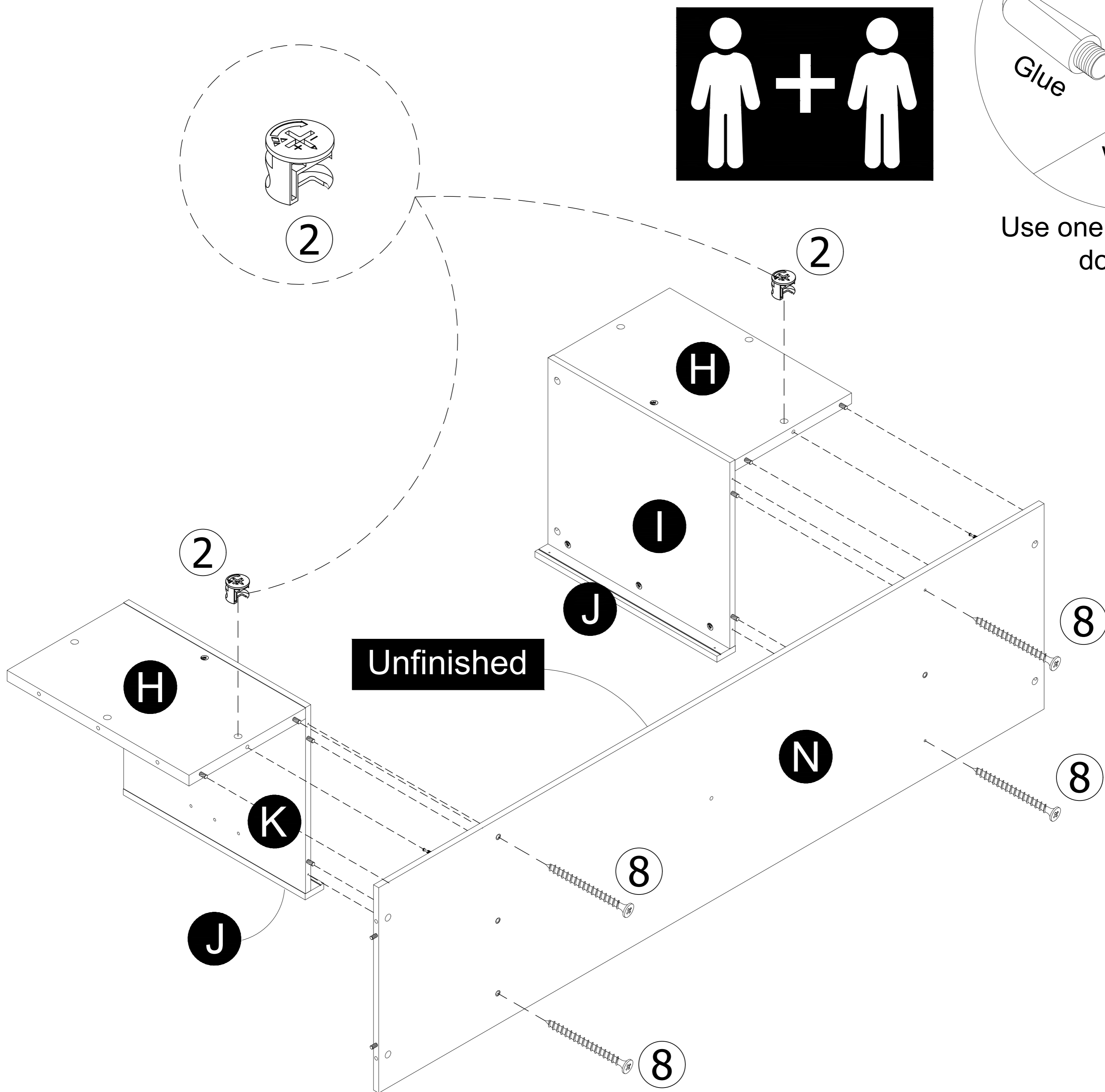
## STEP 14



- Attach boards (H), (I), (K), (J) to Bottom Panel (N) using four Screws (8) and two Cam Locks (2) as illustrated.

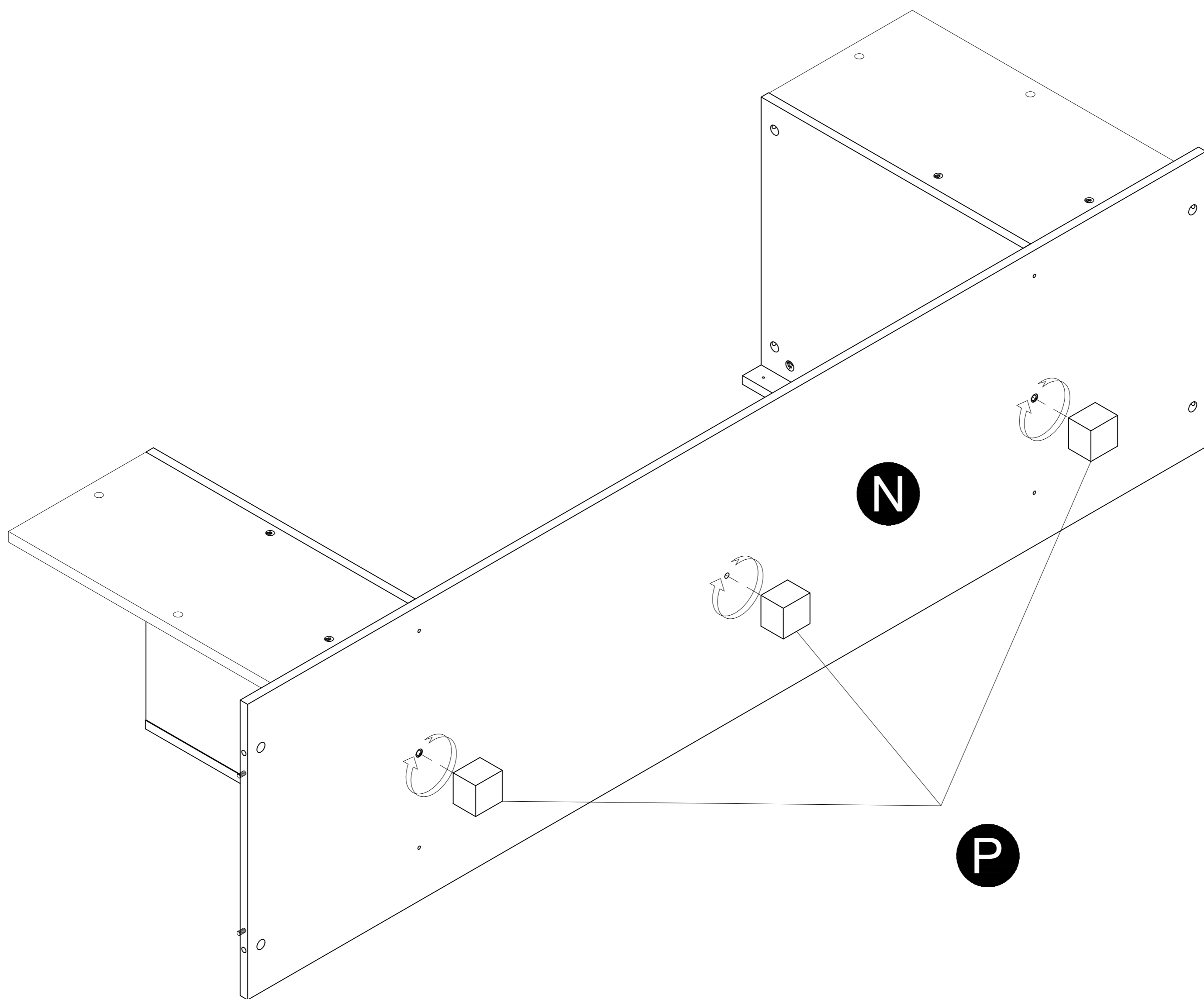


Use one drop of glue in dowel hole.



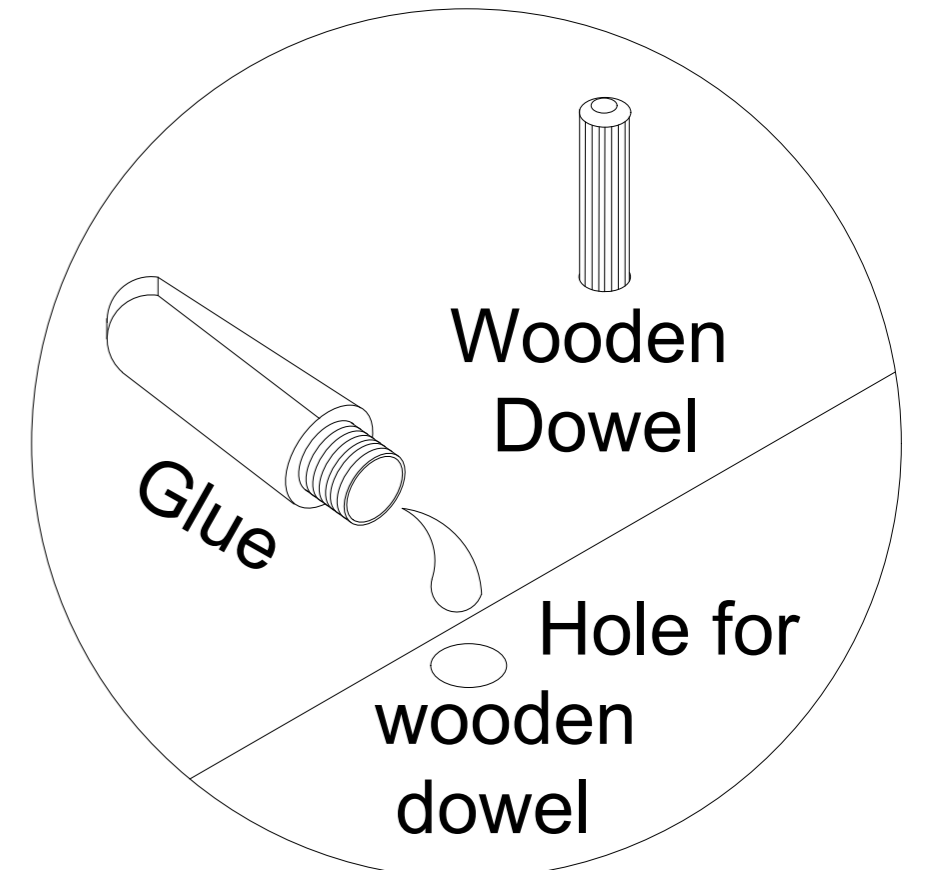
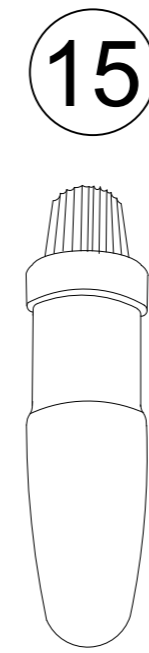
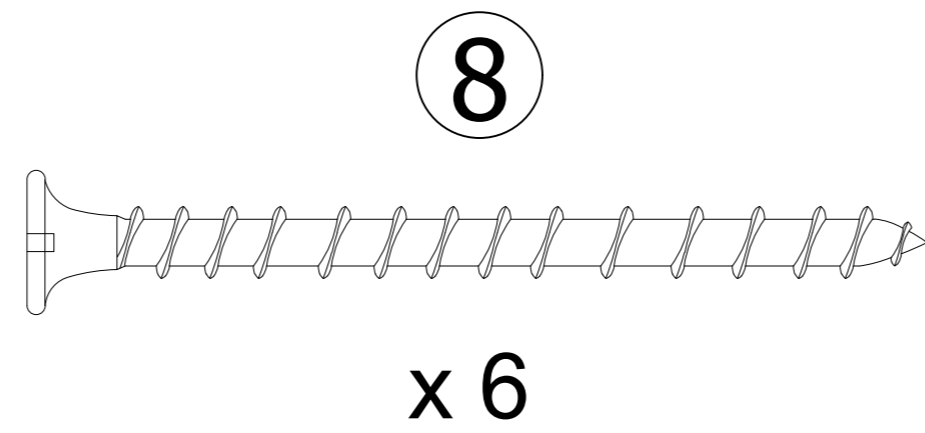
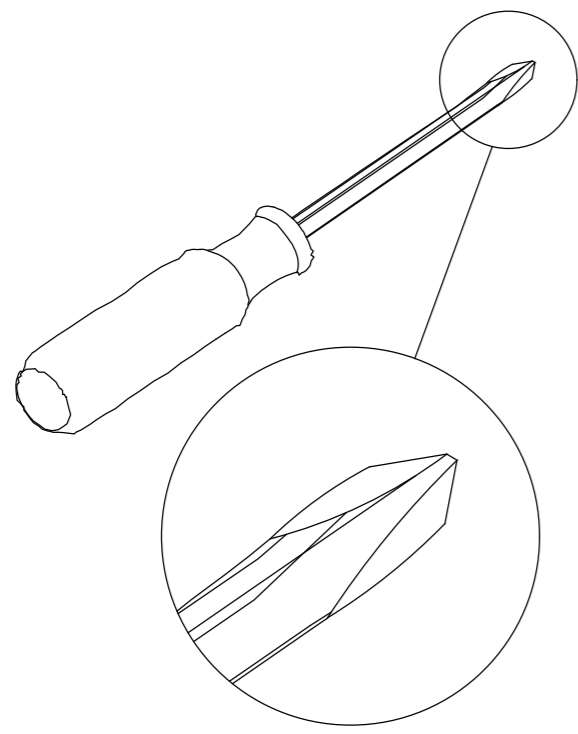
## STEP 15

- Attach three Middle Legs (P) to Bottom Panel (N) as illustrated. Do NOT over-tighten.



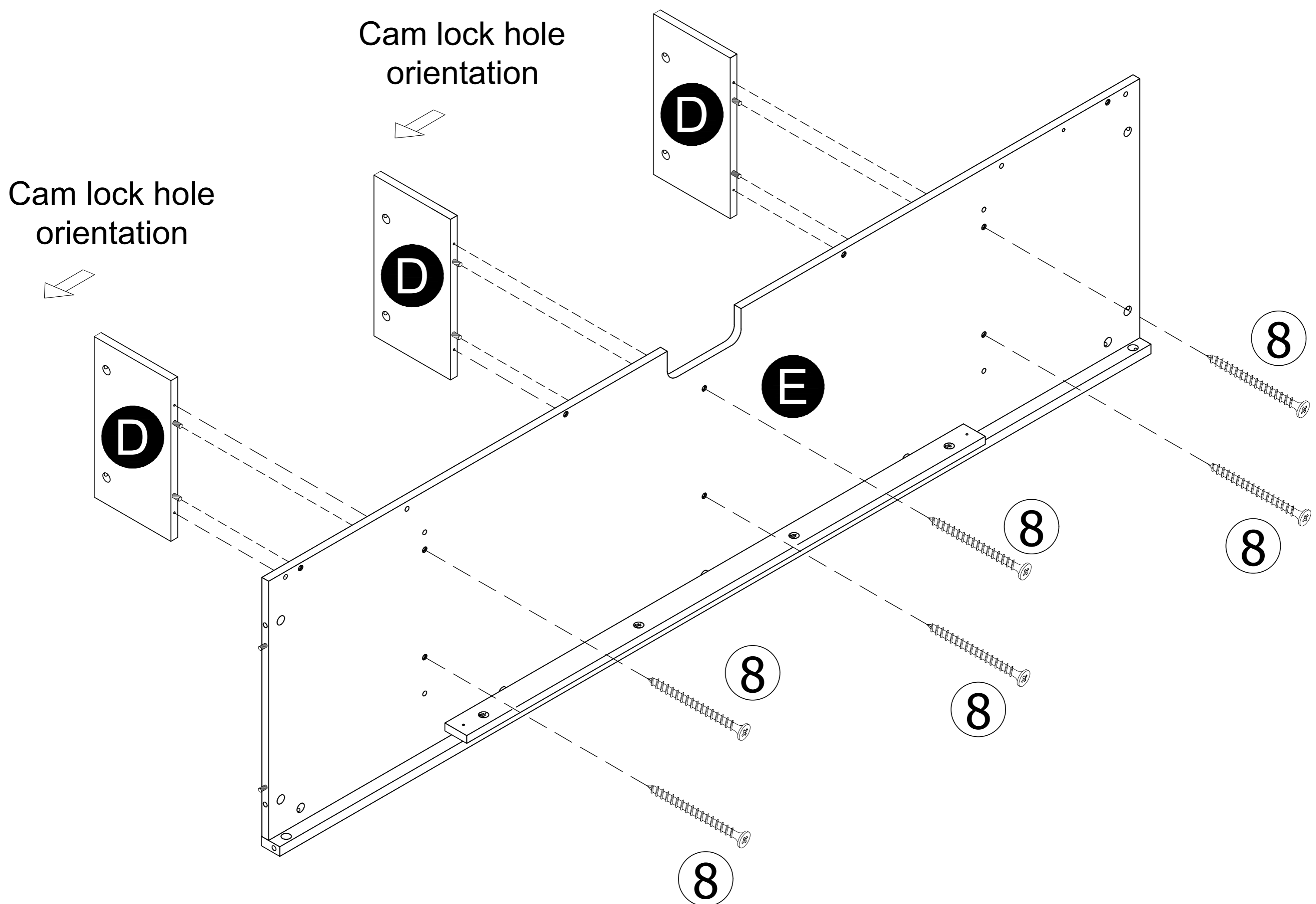


## STEP 16

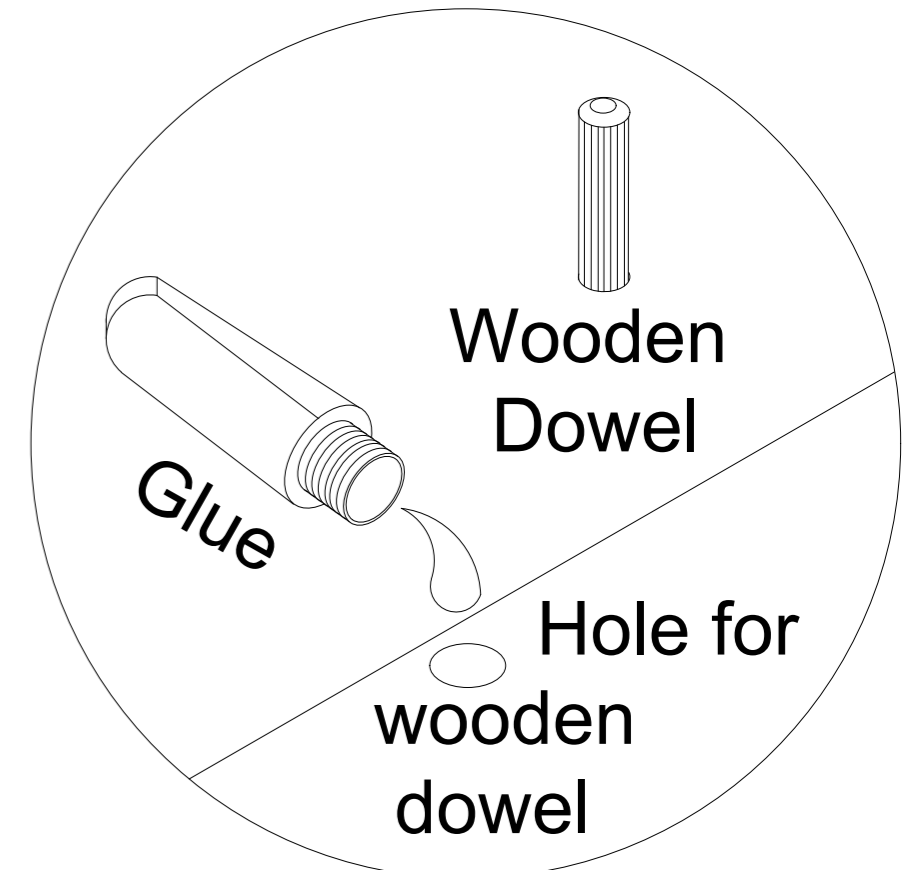
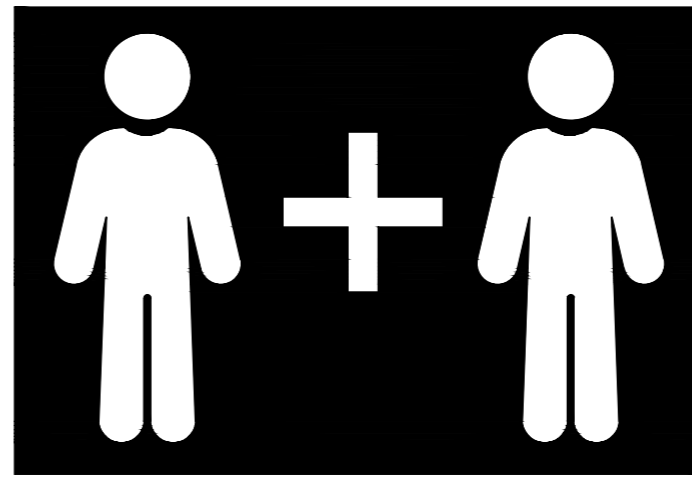
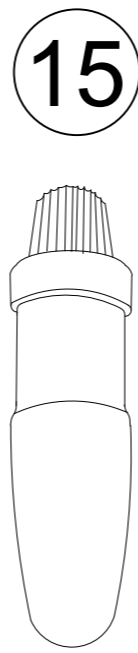
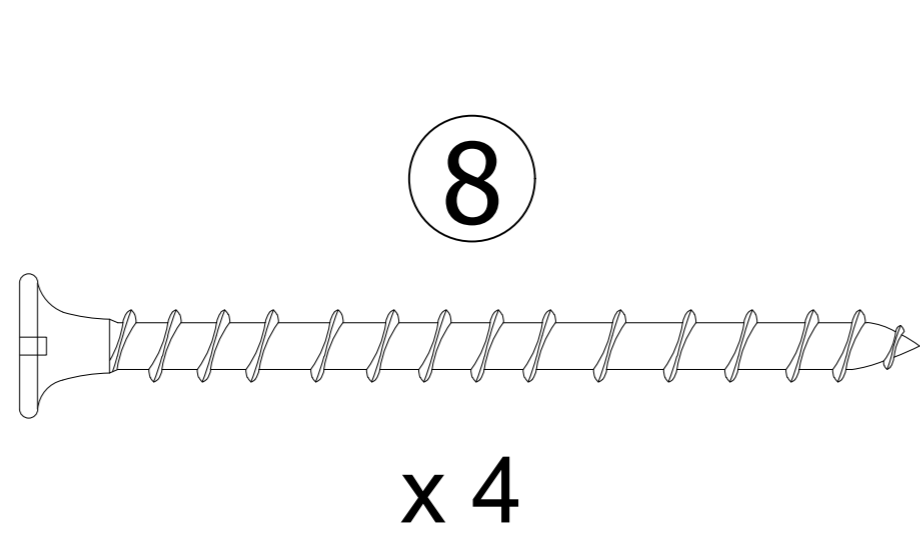
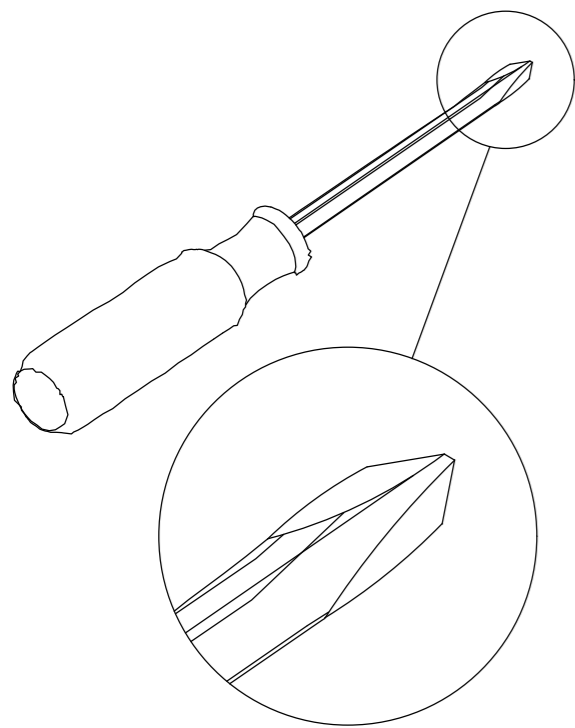


Use one drop of glue in dowel hole.

- Attach three Upper Partitions (D) to Fixed Shelf (E) using six Screws (8) as illustrated.
- Make sure the cam lock holes face to the same side as illustrated.

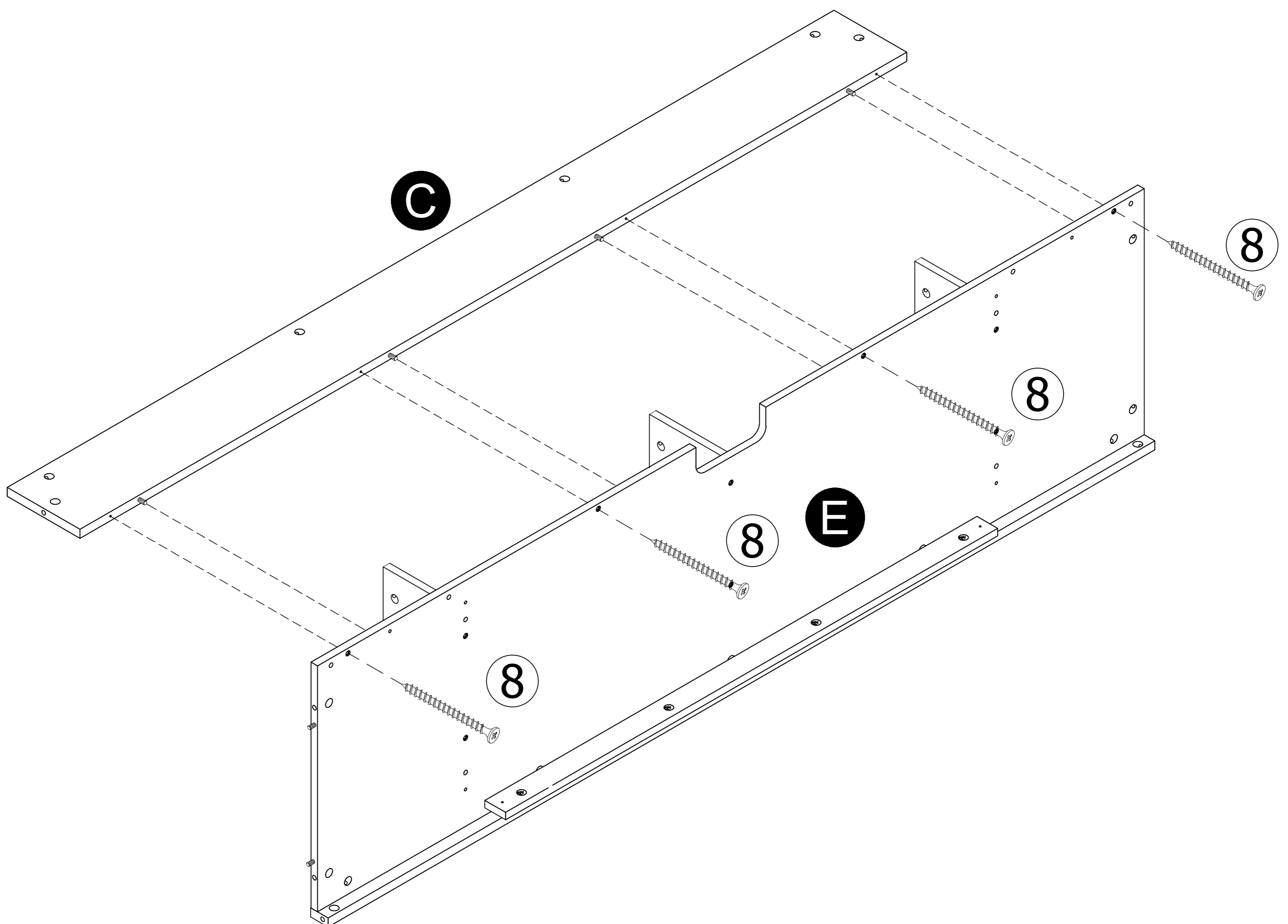


## STEP 17

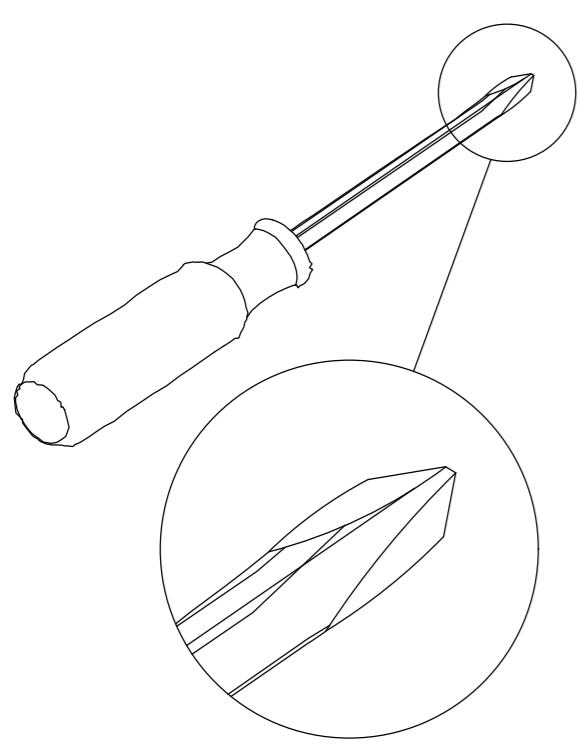


- Attach Upper Back Panel (C) to Fixed Shelf (E) using four Screws (8) as illustrated.

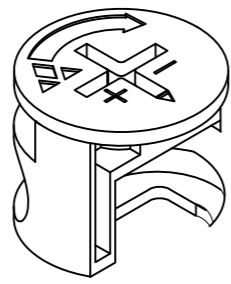
Use one drop of glue in dowel hole.



## STEP 18

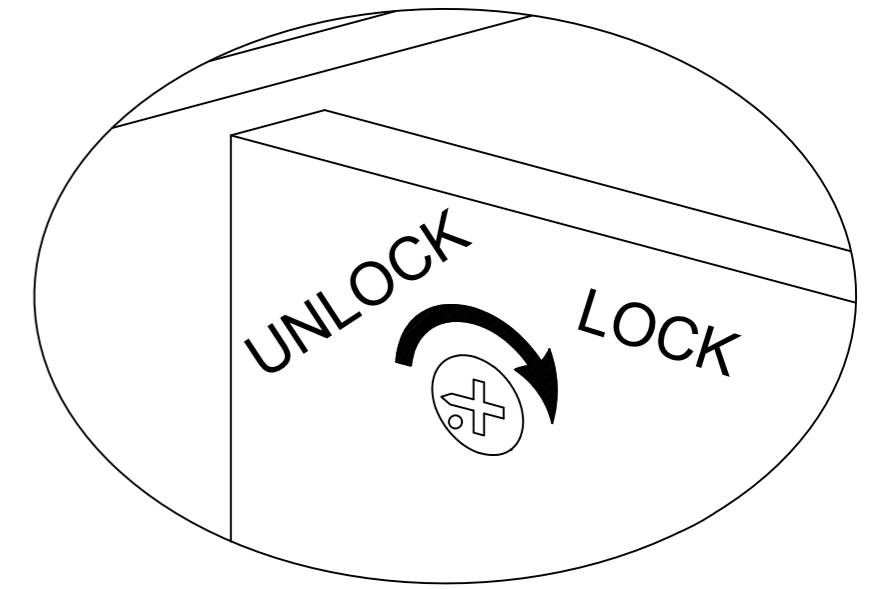
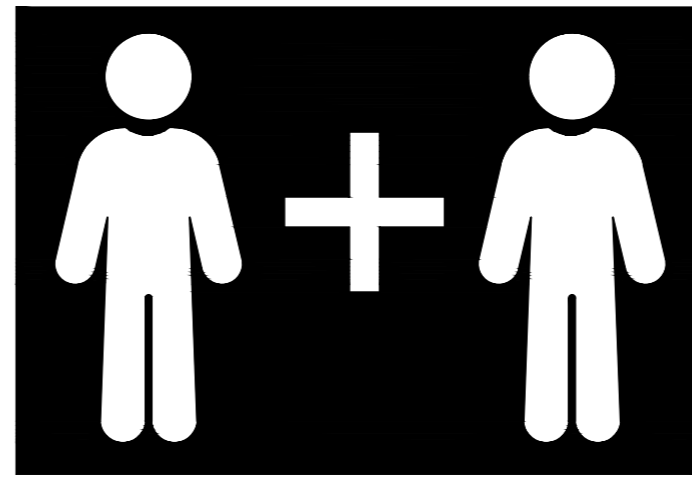
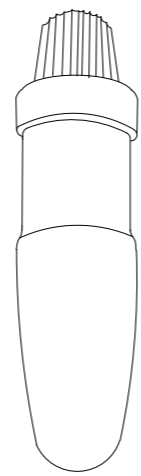


2

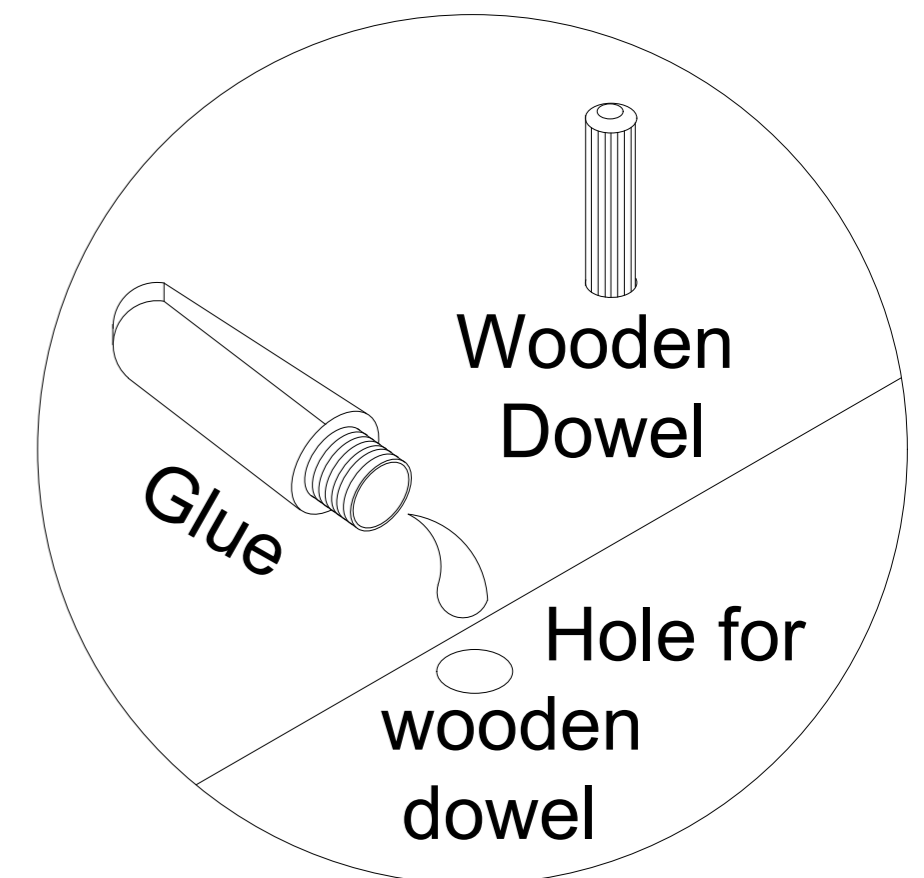


x 6

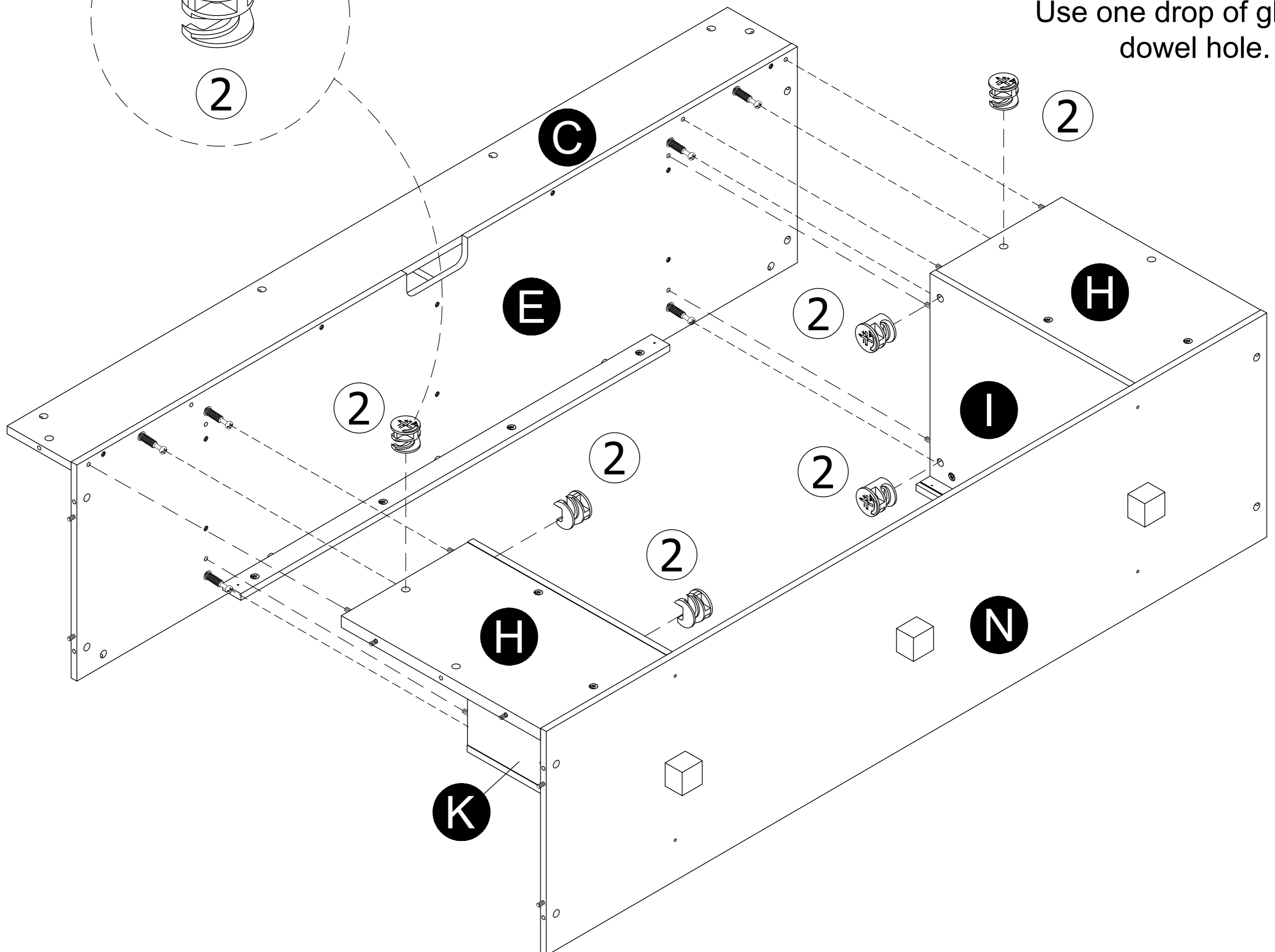
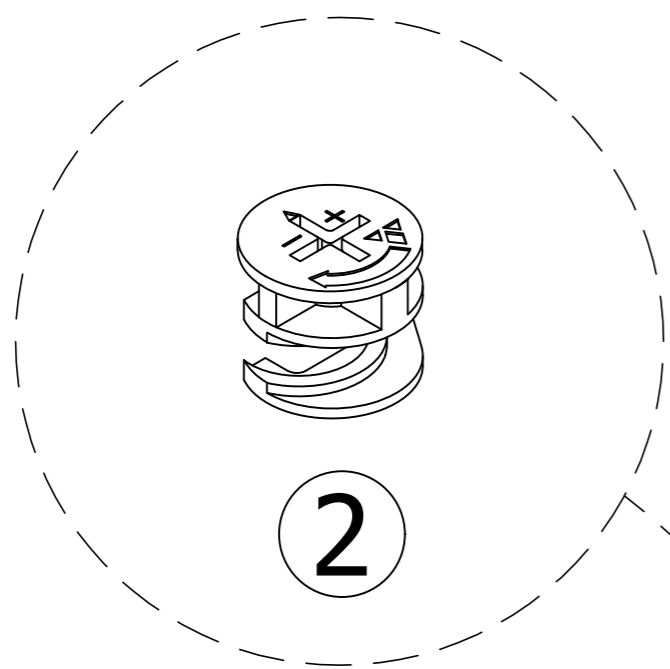
15



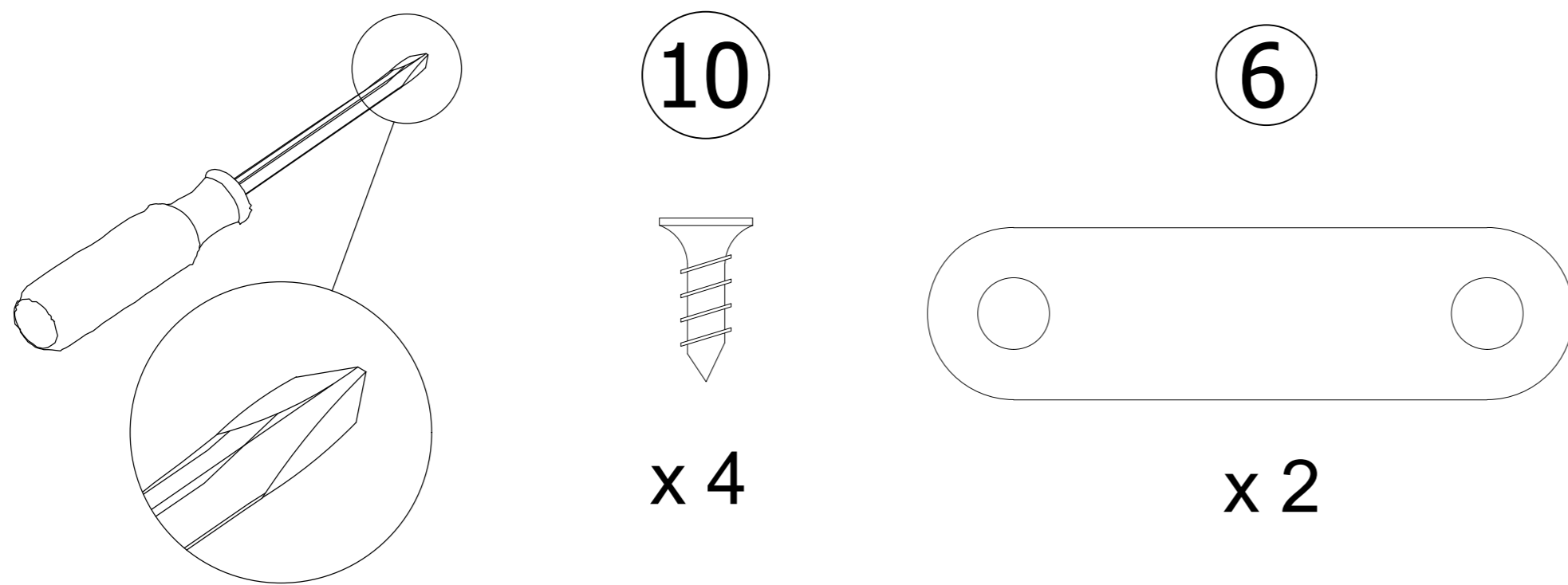
- Attach Fixed Shelf (E) to boards (H), (K), (I) using six Cam Locks (2) as illustrated.



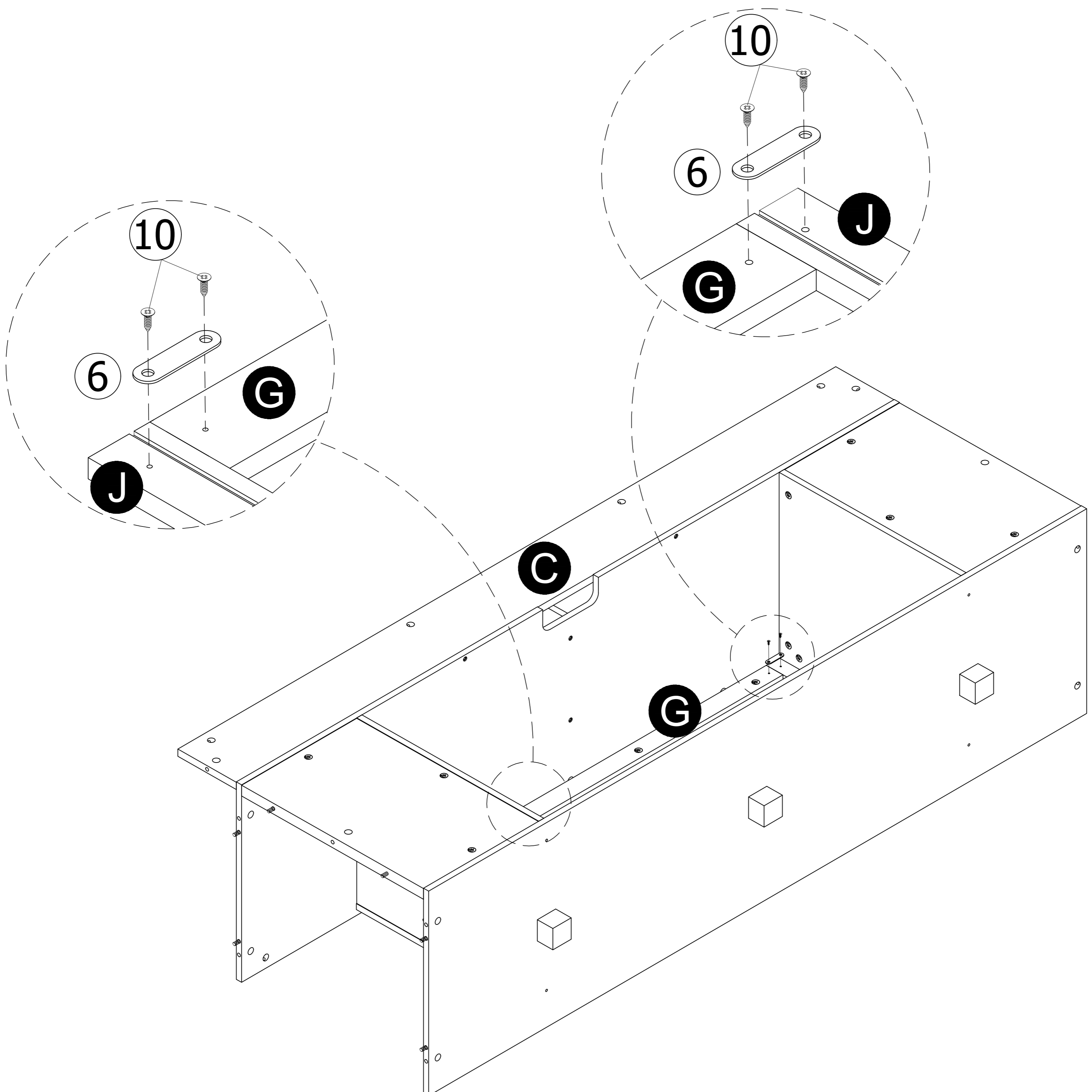
Use one drop of glue in dowel hole.



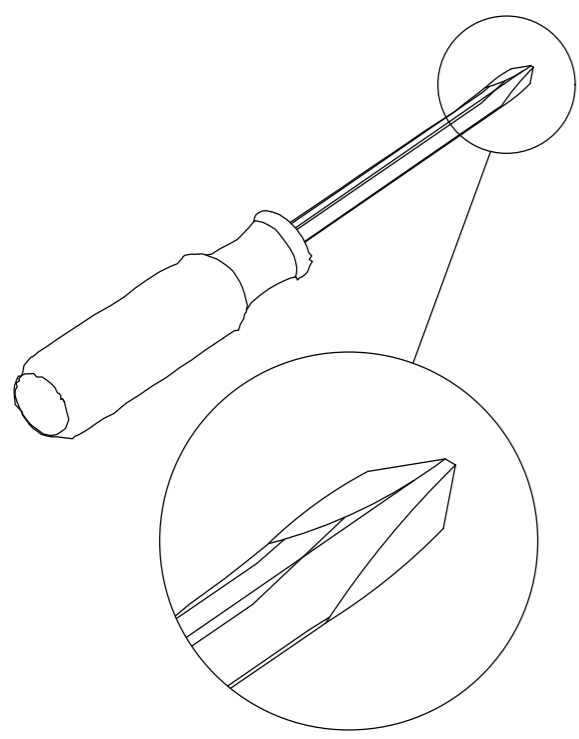
## STEP 19



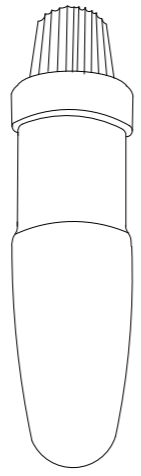
- Attach two Metal Plates (6) to Upper Molding (G) and Side Moldings (J) using four Screws (10) as illustrated.



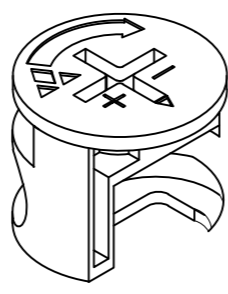
## STEP 20



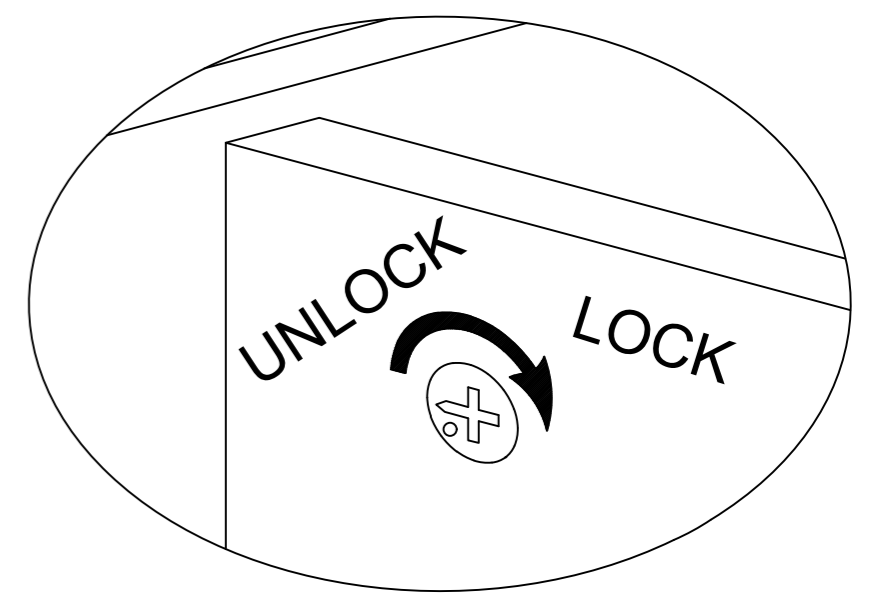
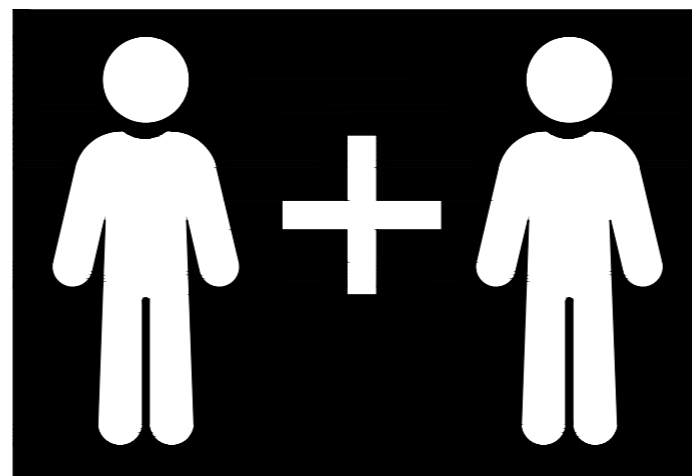
15



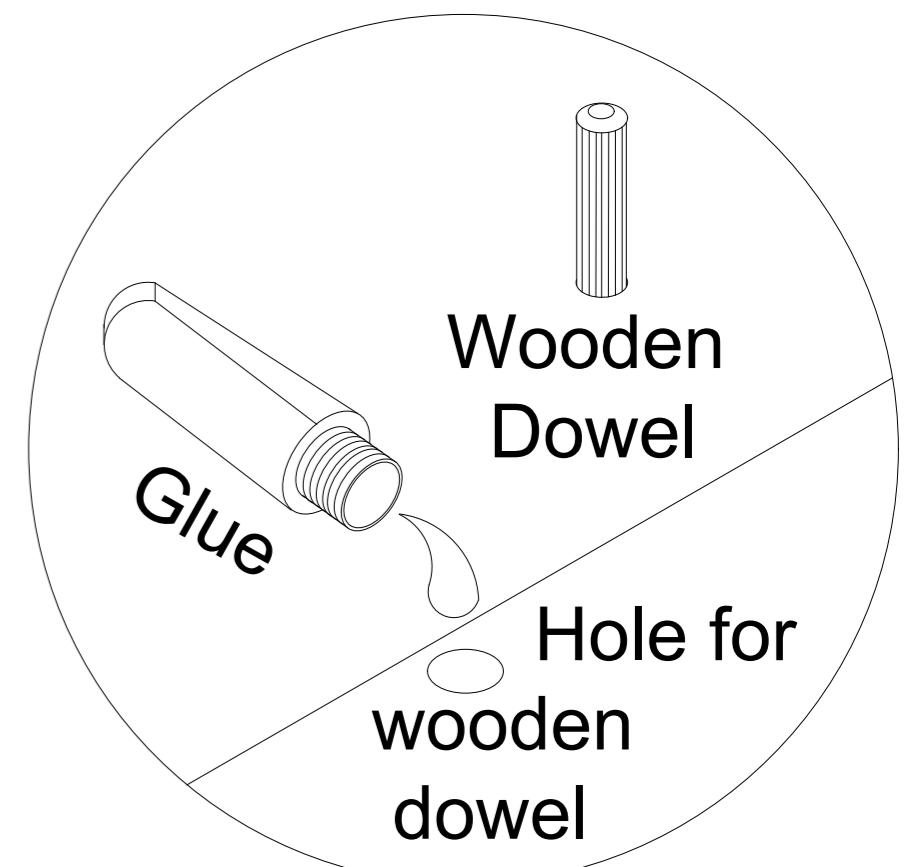
2



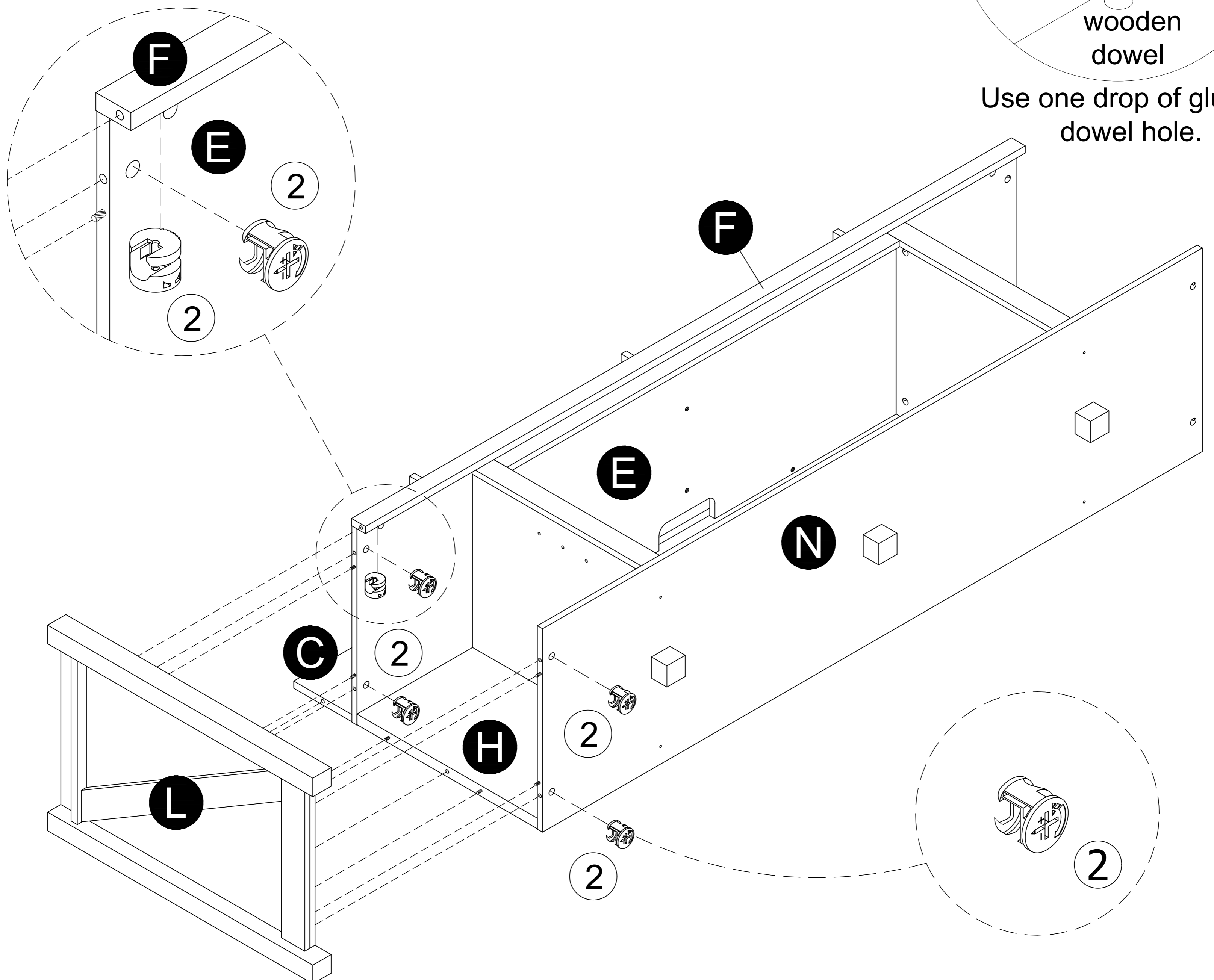
x 5



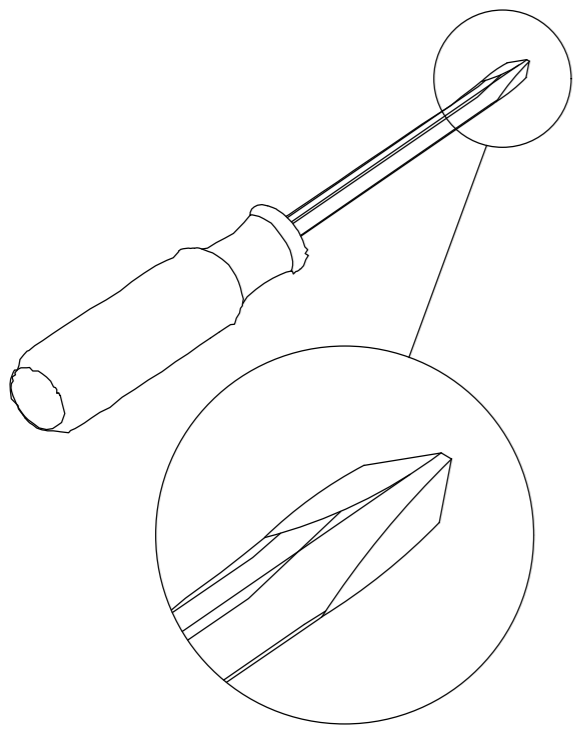
- With the assistance of a second person, carefully turn the unit over so that the front is accessible.
- Attach Left Side Frame (L) to boards (H), (N), (E), and (F) using five Cam Locks (2) as illustrated.



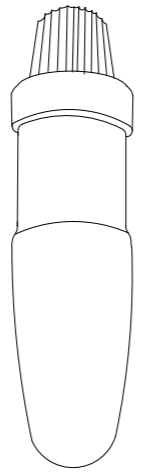
Use one drop of glue in dowel hole.



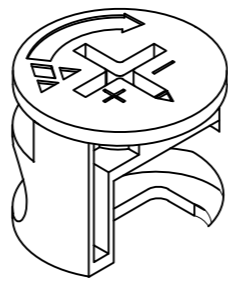
## STEP 21



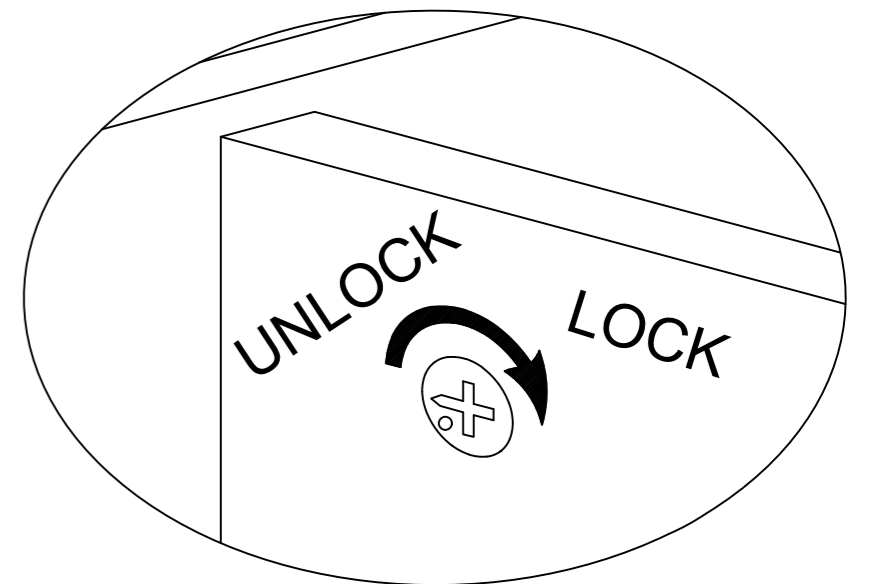
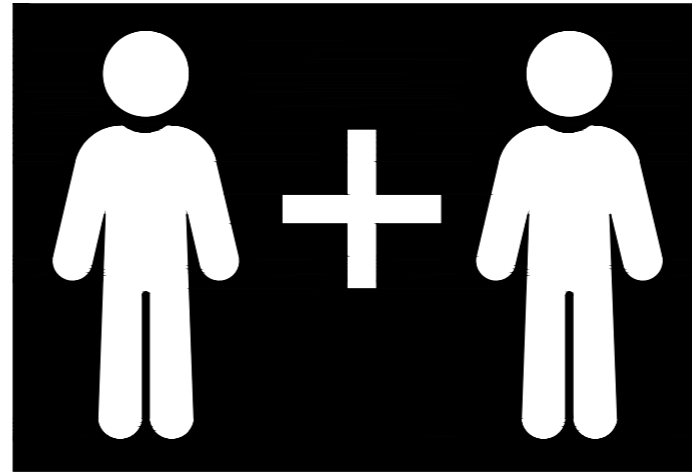
15



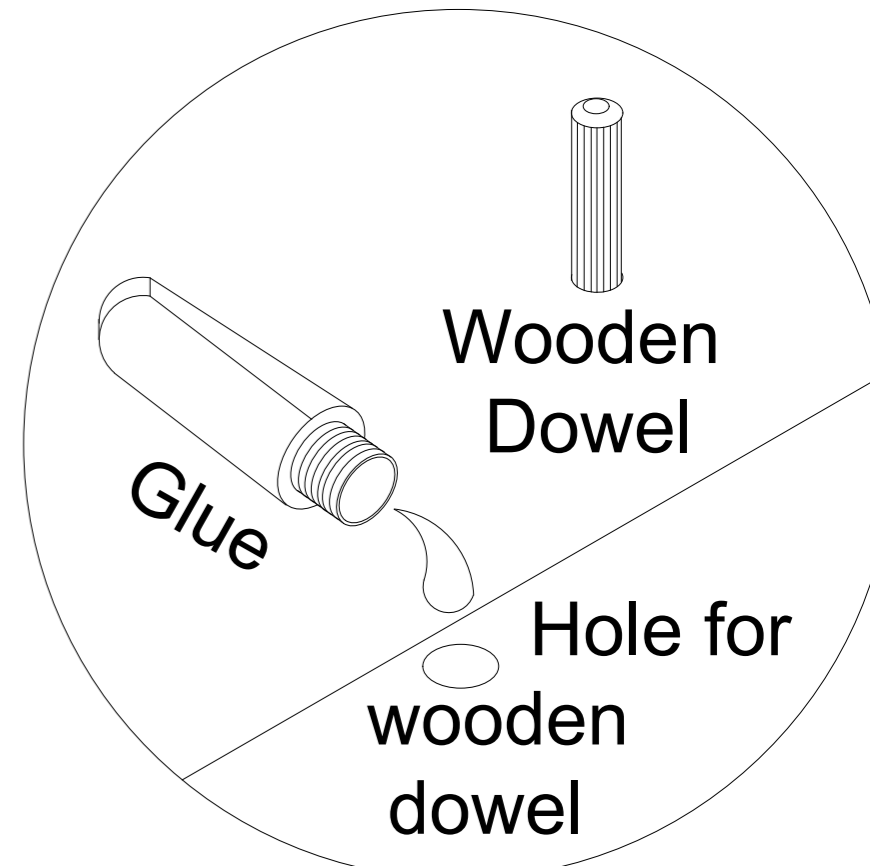
2



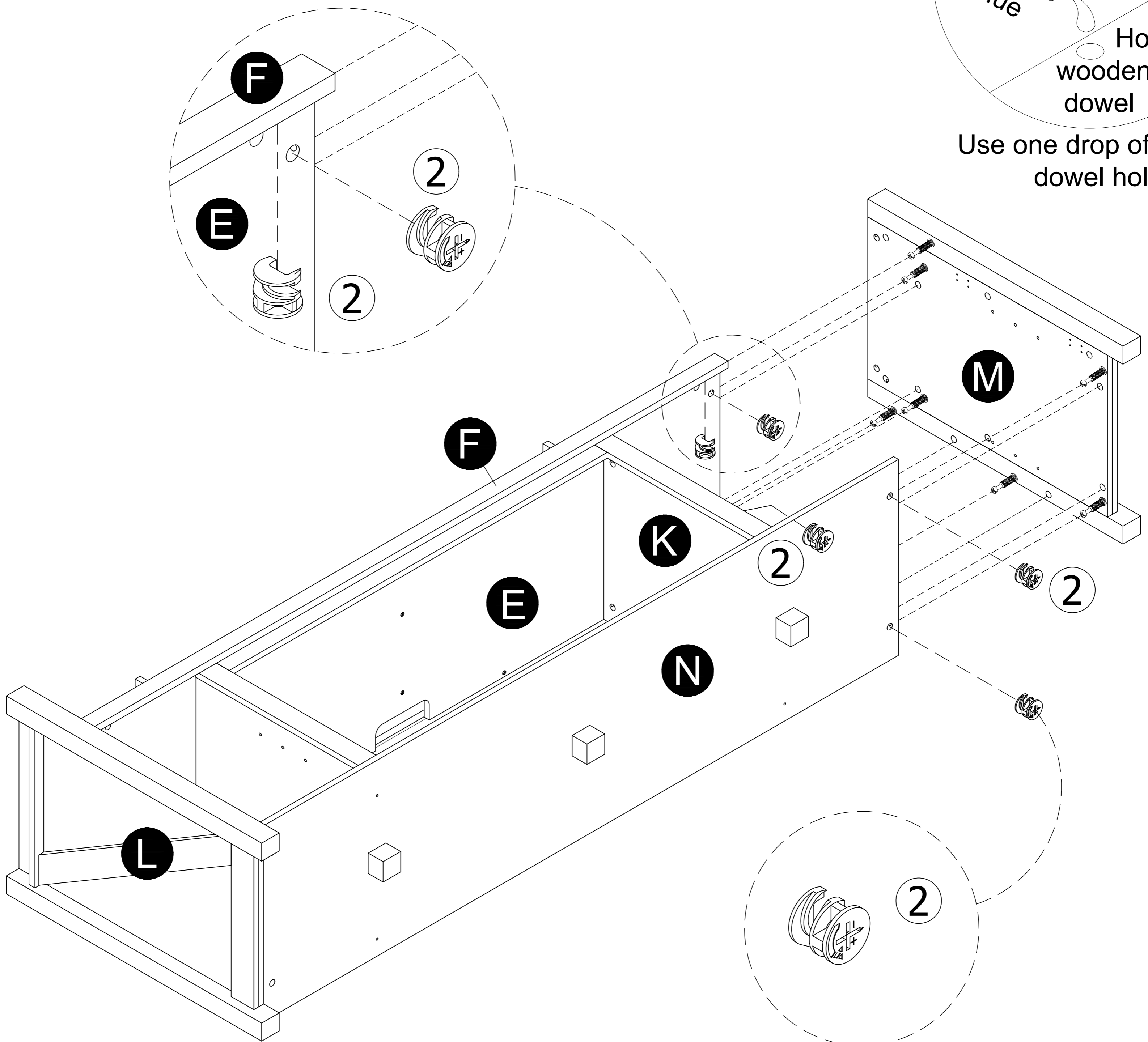
x 5



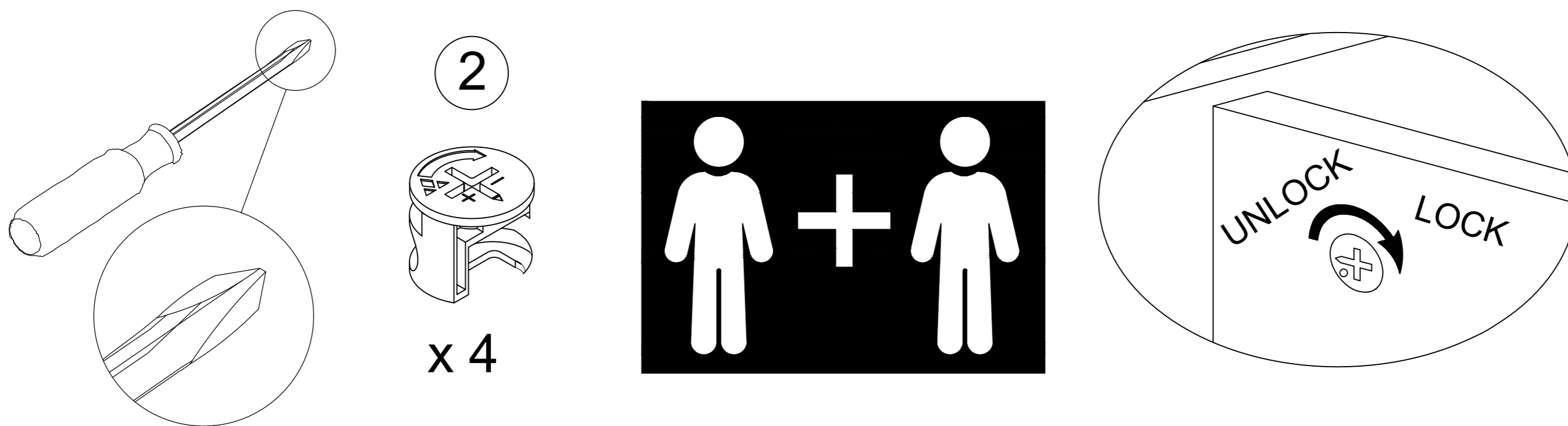
- Attach Right Side Frame (M) to boards (H), (N), (E), and (F) using five Cam Locks (2) as illustrated.



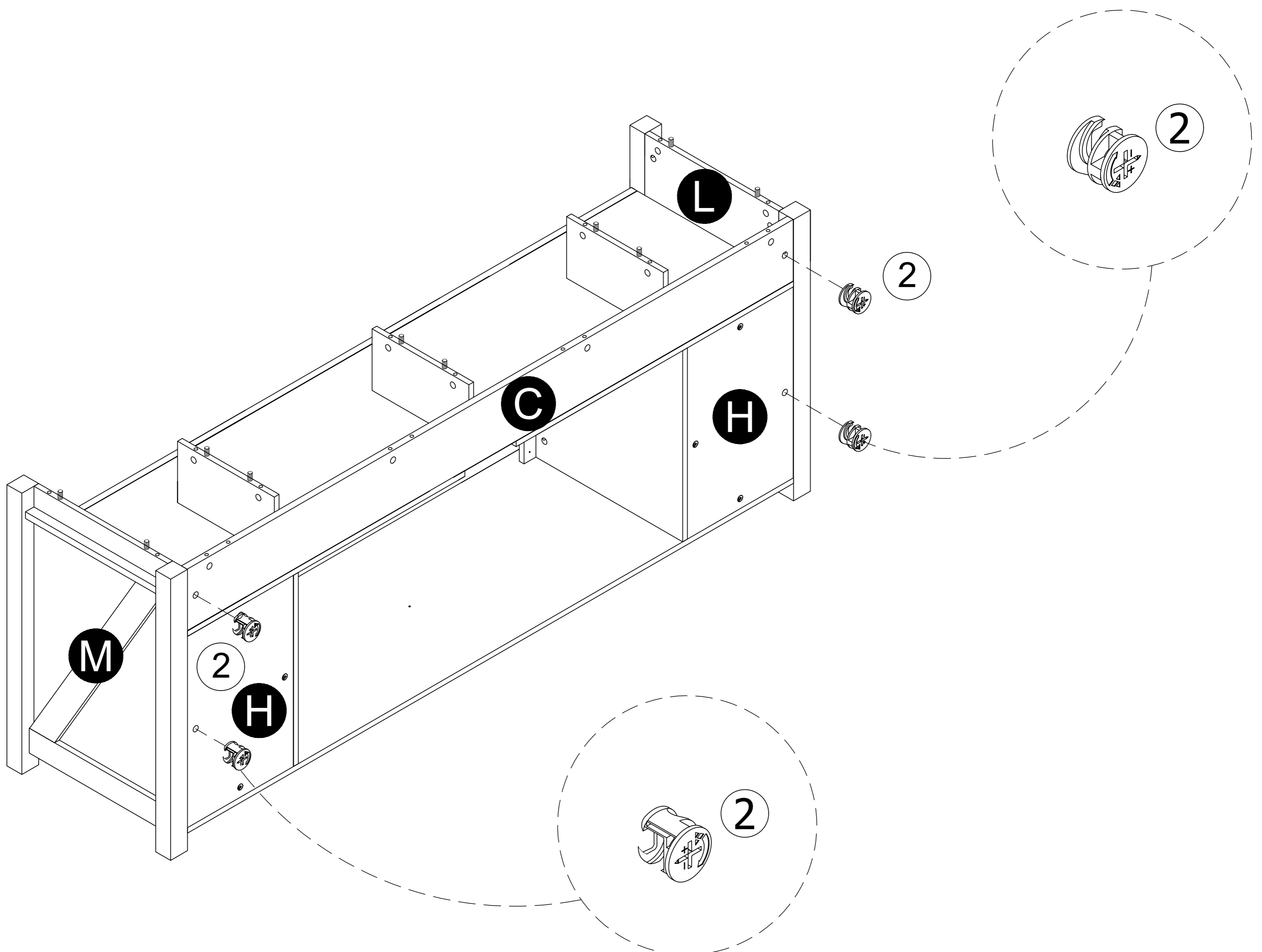
Use one drop of glue in dowel hole.



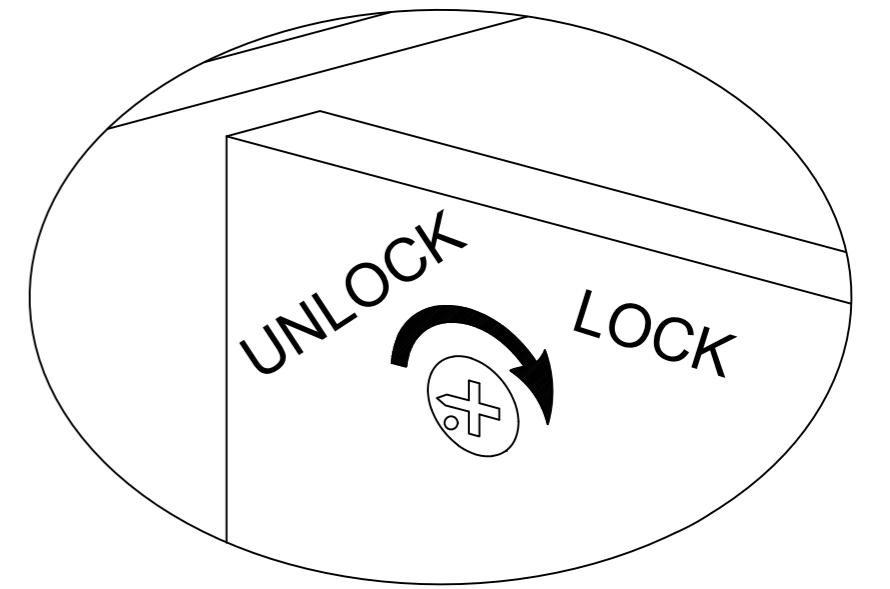
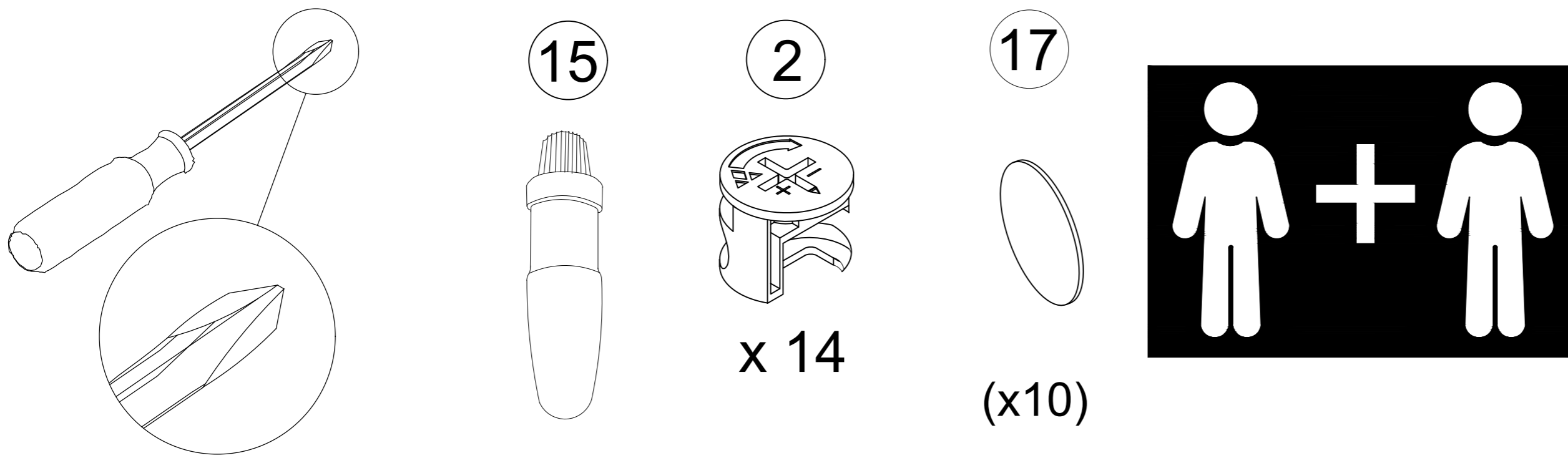
## STEP 22



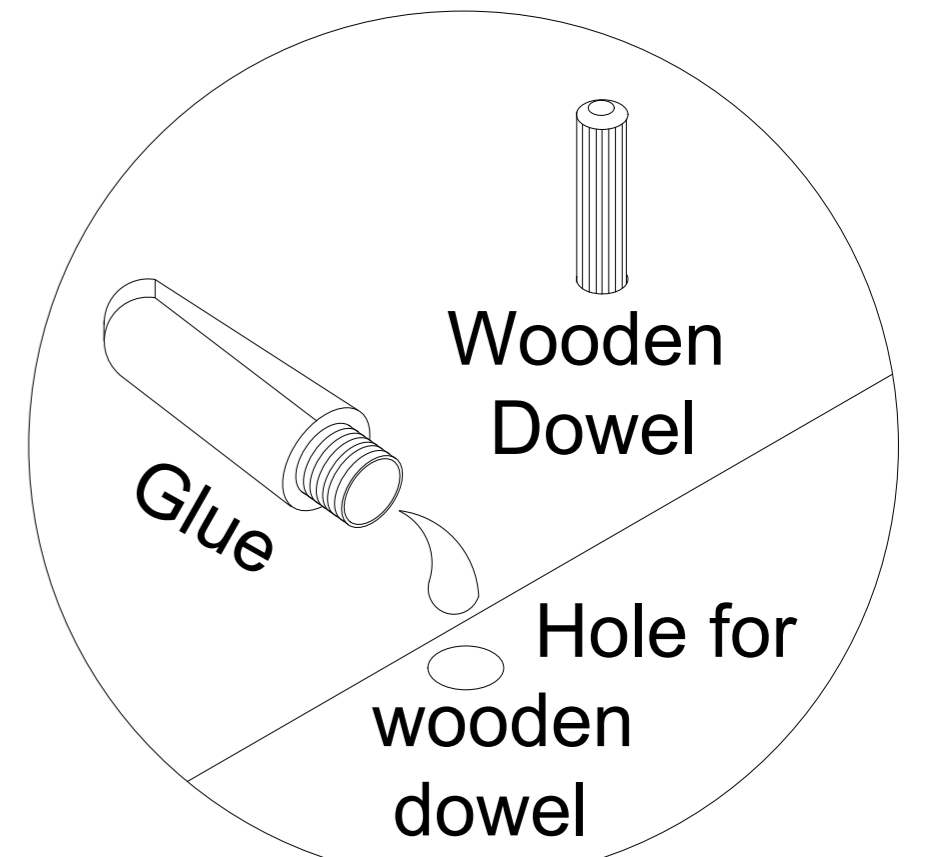
- With the assistance of a second person, turn the unit upright.
- Attach Left and Right Side Frame (L) & (M) to Upper Back Panel (C) and Lower Back Panels (H) using four Cam Locks (2) as illustrated.



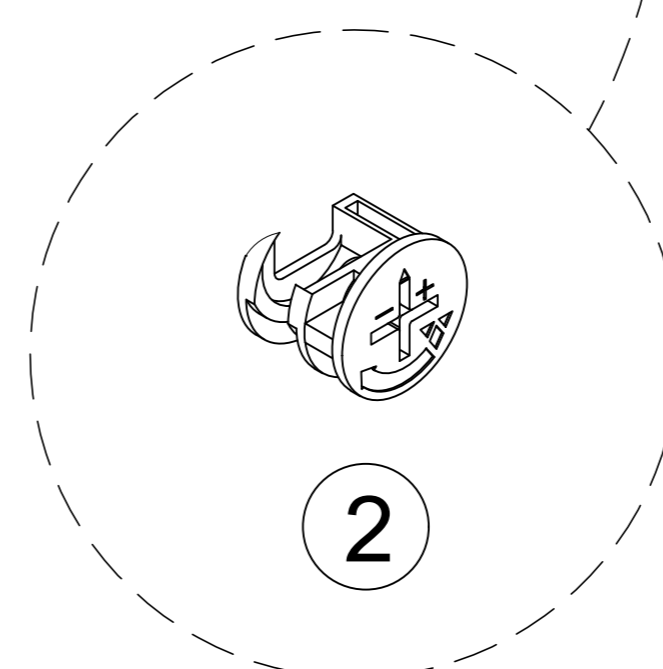
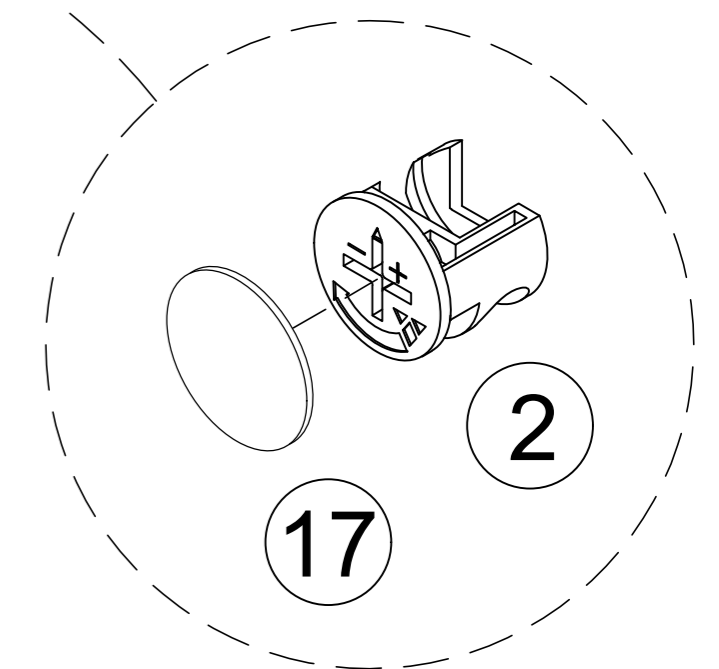
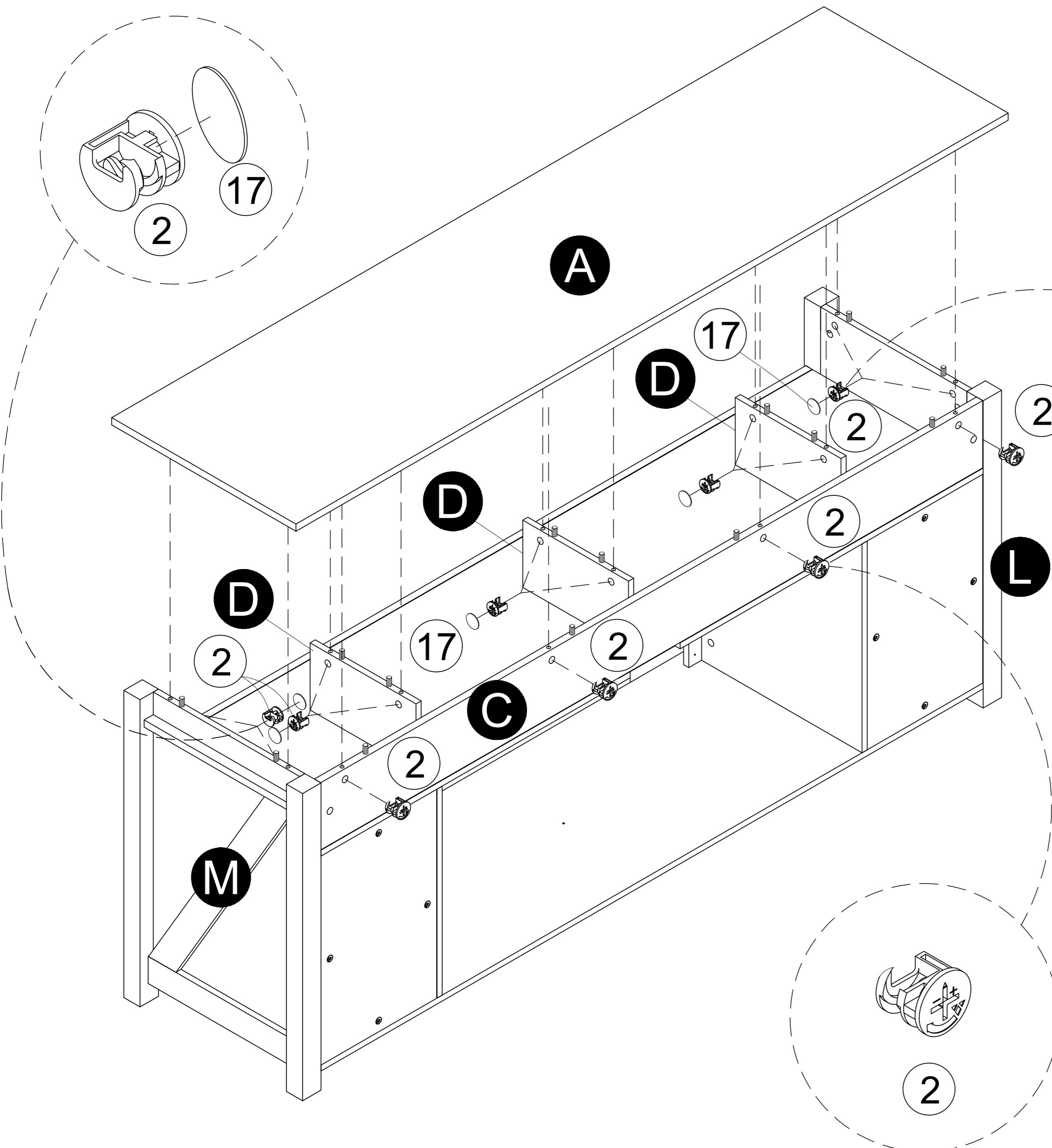
## STEP 23



- Attach Top Panel (A) to boards (L), (M), (C) and (D) using 14 Cam Locks as illustrated.
- Attach ten Cam Covers (17) to boards (L), (M) and (D) as illustrated.

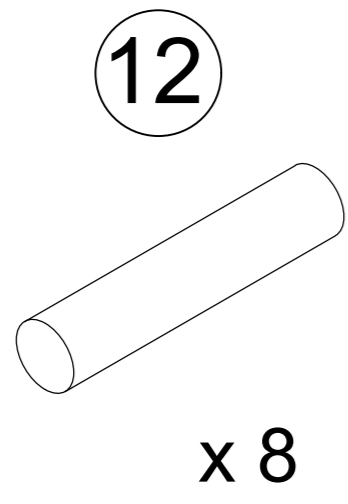


Use one drop of glue in dowel hole.

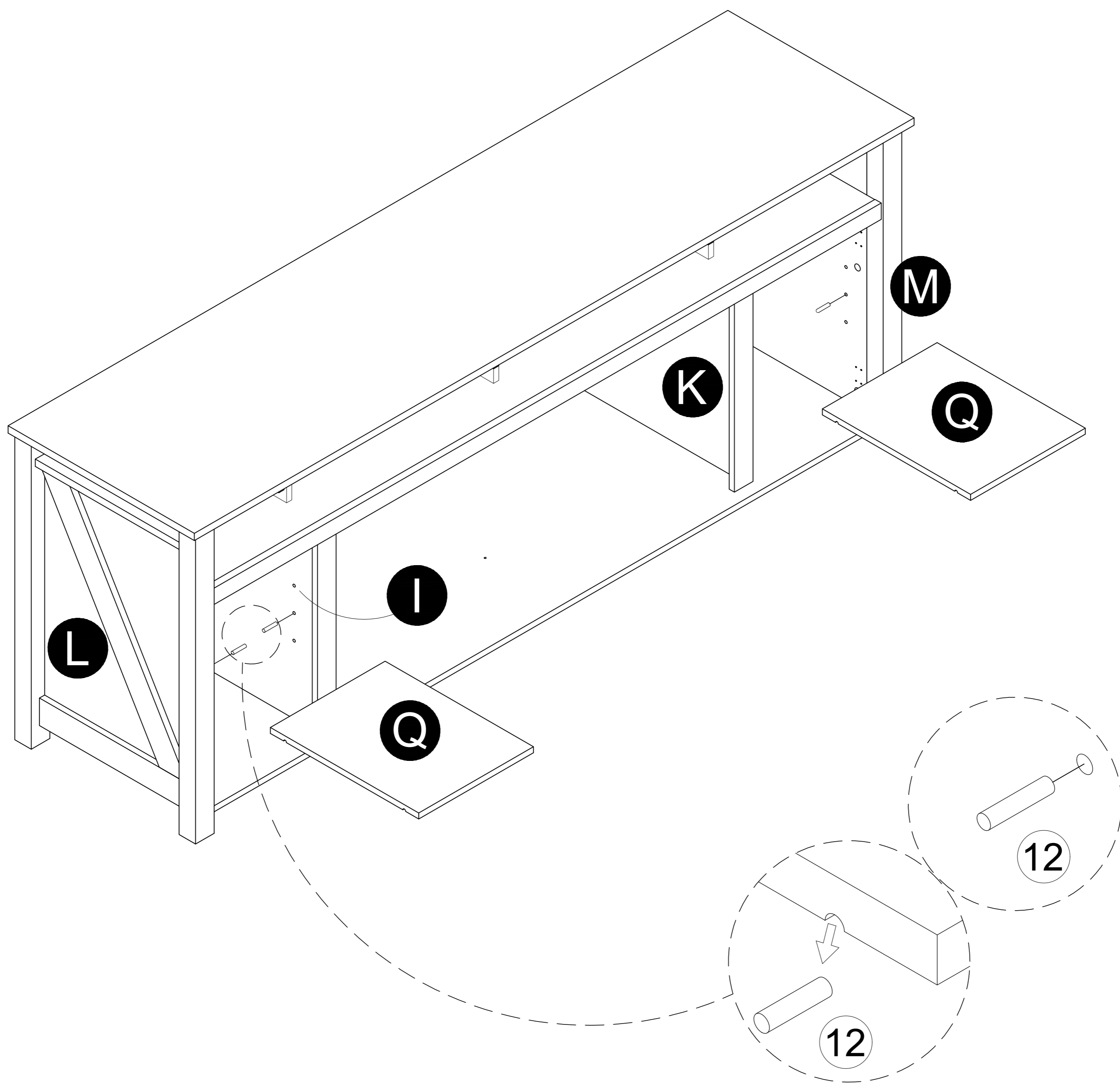




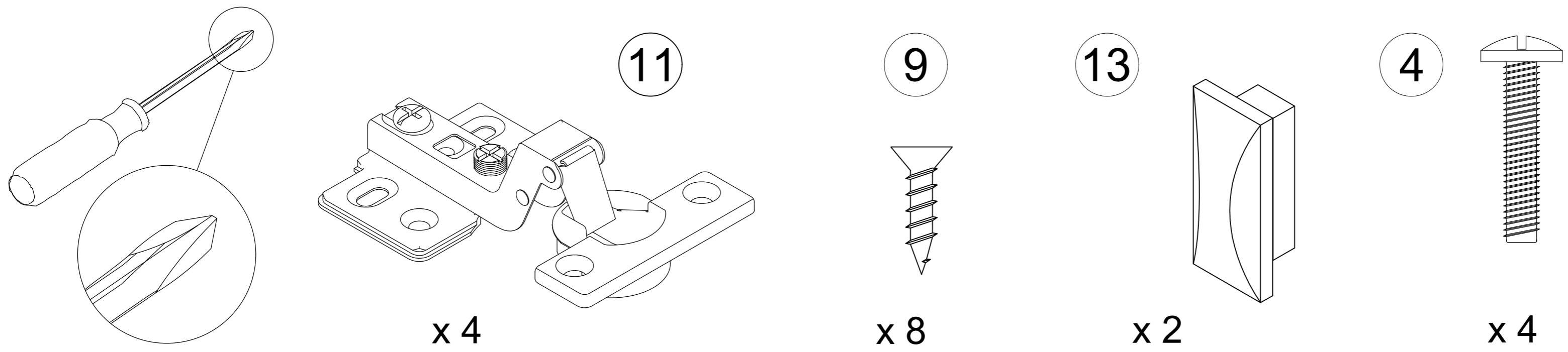
# STEP 24



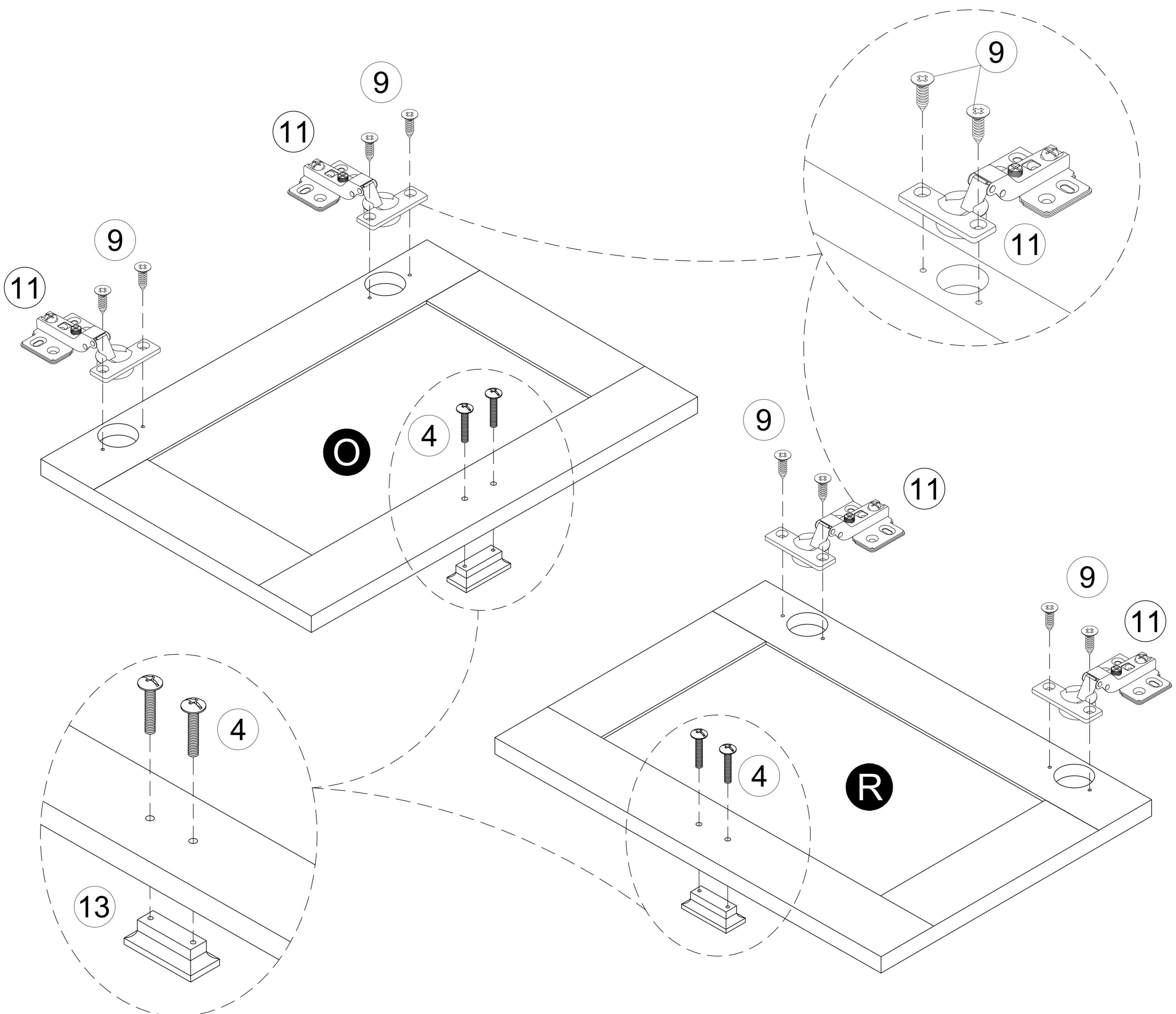
- Insert 8 Shelf Supports (12) into the TV Stand at the desired shelf heights.
- Put Adj Shelves (Q) onto the Shelf Supports (12) as illustrated.



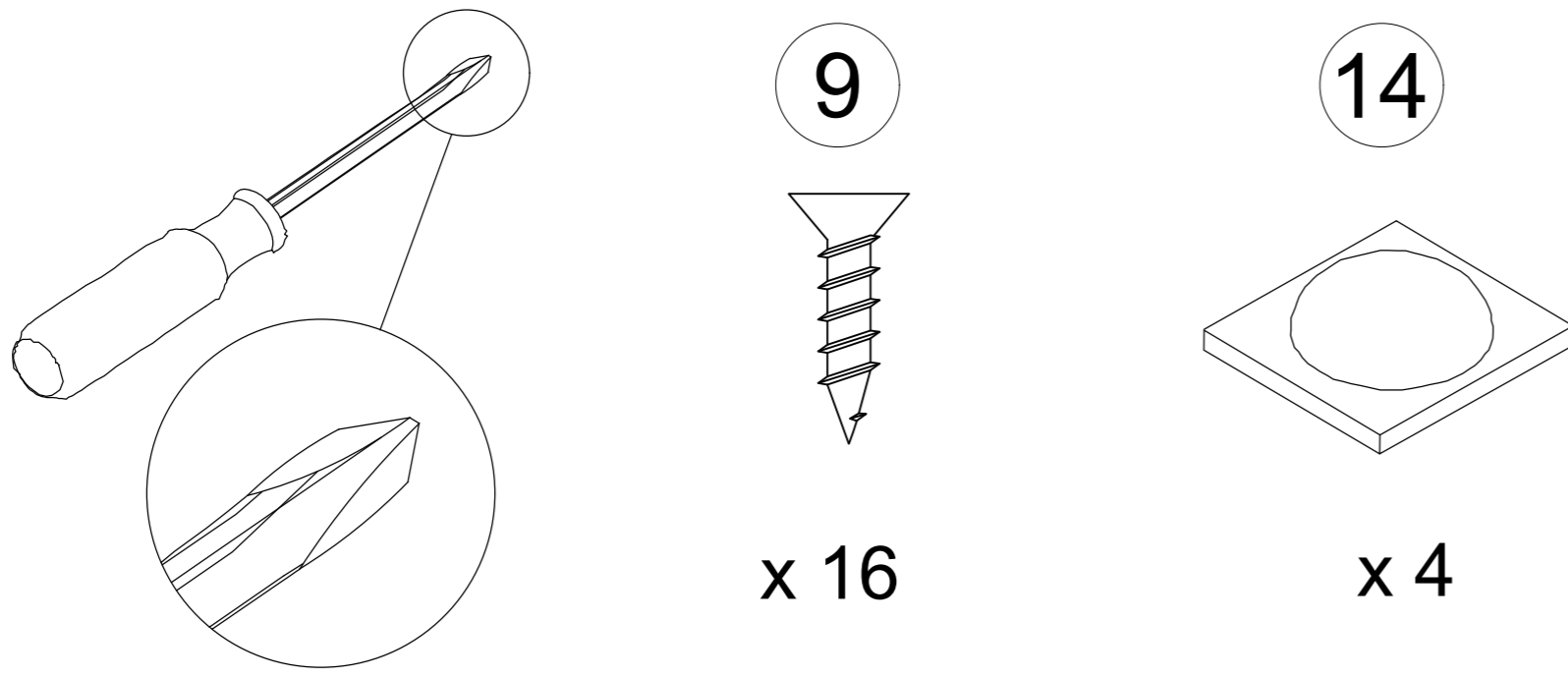
## STEP 25



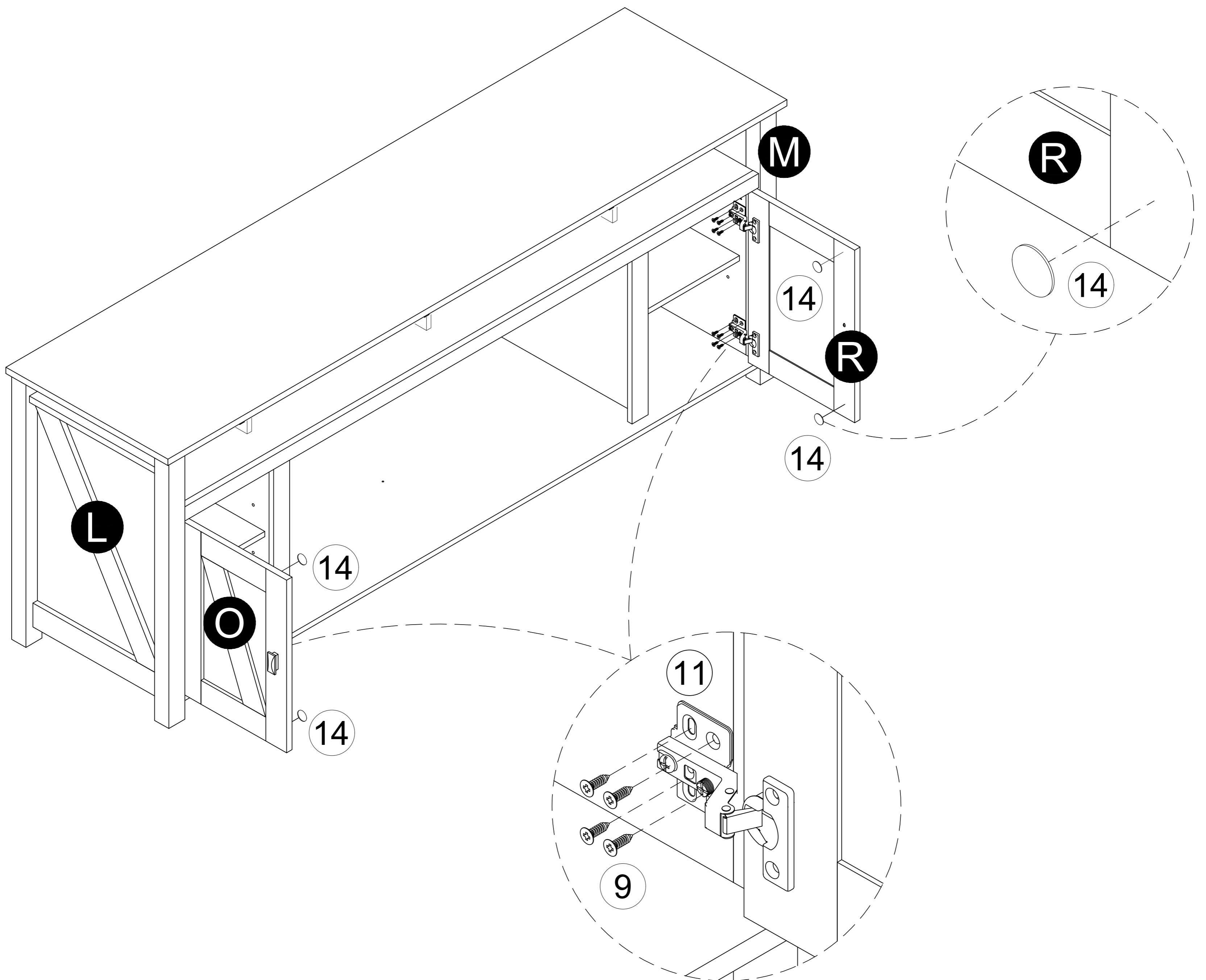
- Attach four Hinges (11) to Left and Right Door (O) & (R) using eight Screws (9) as illustrated.
- Attach two Knobs (13) to Left and Right Door (O) & (R) using four Bolts (4) as illustrated.



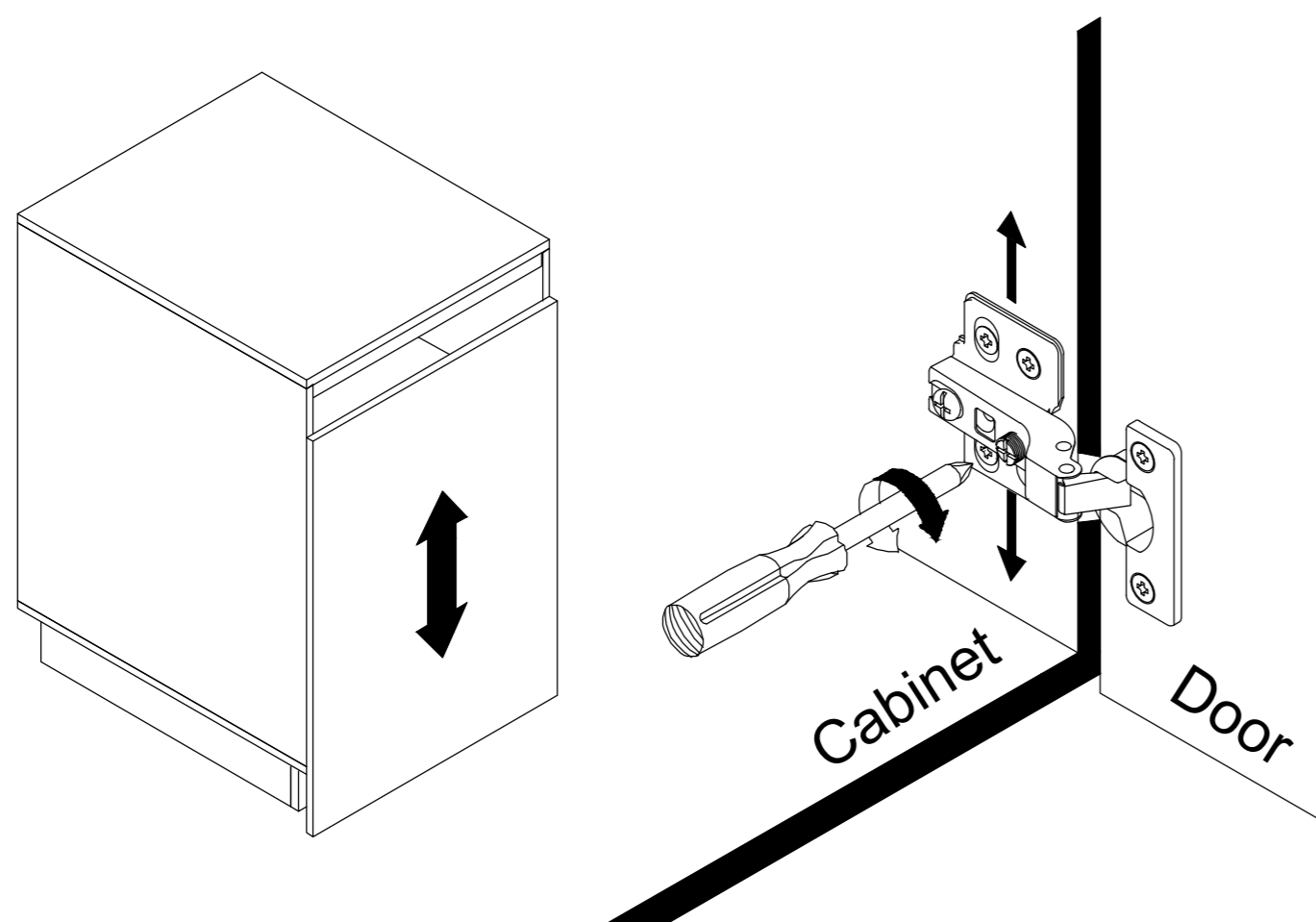
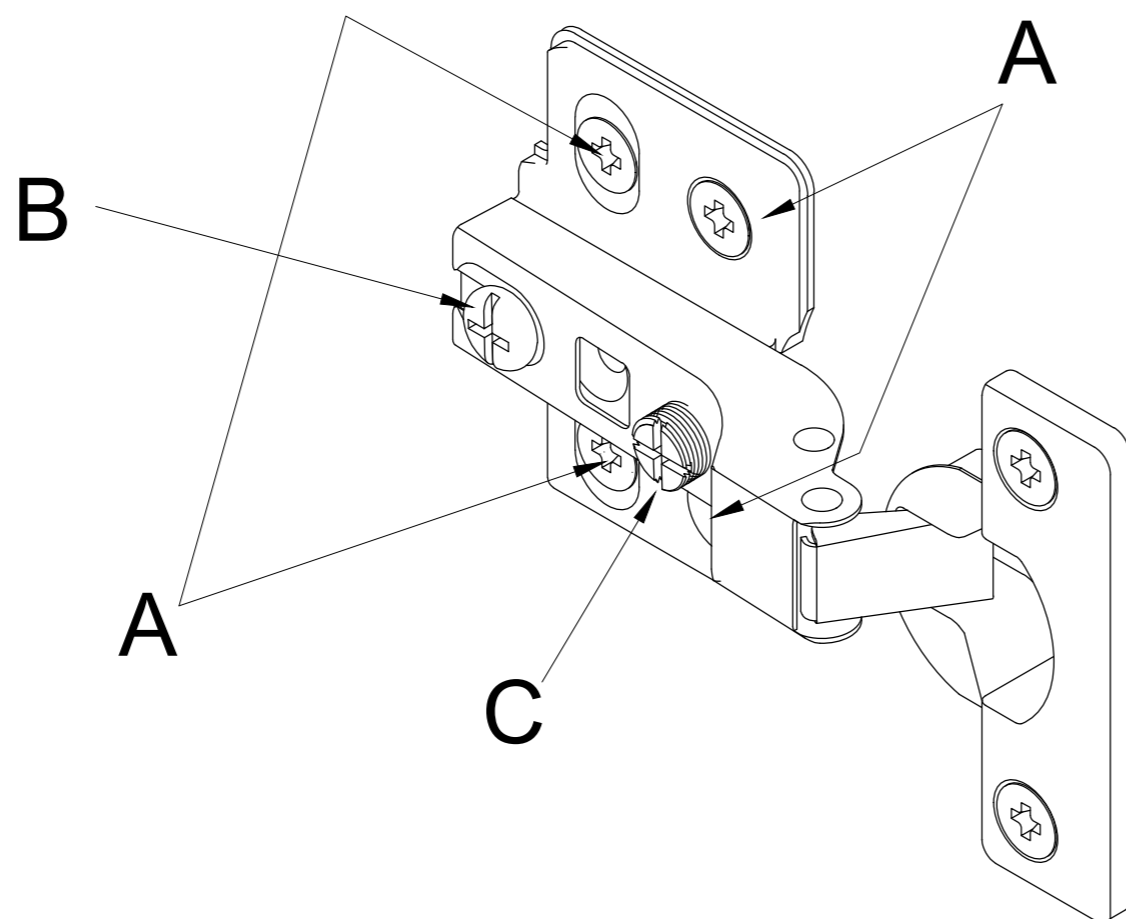
# STEP 26



- Attach Left and Right Door (O) & (R) to Left and Right Side Frame (L) & (M) using 16 Screws (9) as illustrated.
- Attach four Bumpers (14) to Left and Right Door (O) & (R) as illustrated.



# STEP 26



### To adjust the vertical height.

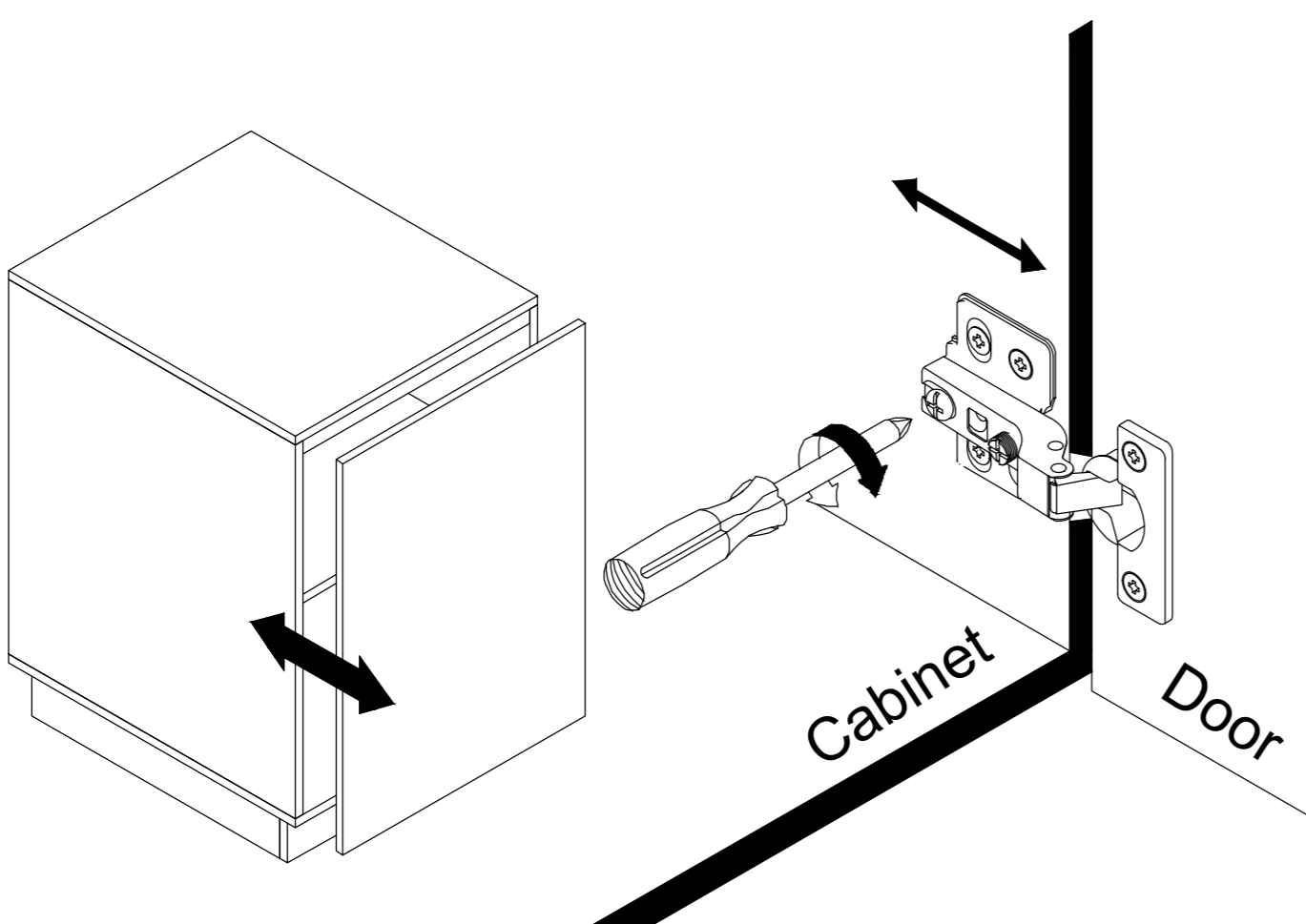
Loosen the four screws "A" on both hinges. Two of them are usually in slotted holes which allows you to adjust up or down by a few mm and then tighten back up.

### Para ajustar la altura vertical

Afloje los cuatro tornillos "A" en ambas bisagras. Dos de esos están usualmente en los agujeros llanos. Lo que significa que usted puede regular de arriba hacia abajo. Por unos pocos milímetros. Luego apriete hacia arriba.

### Pour régler la hauteur verticale.

Desserrez les quatre vis "A" sur les deux charnières. Deux d'entre elles sont habituellement dans des fentes afin de vous permettre de les vis après l'ajustement.



### To adjust the horizontal depth.

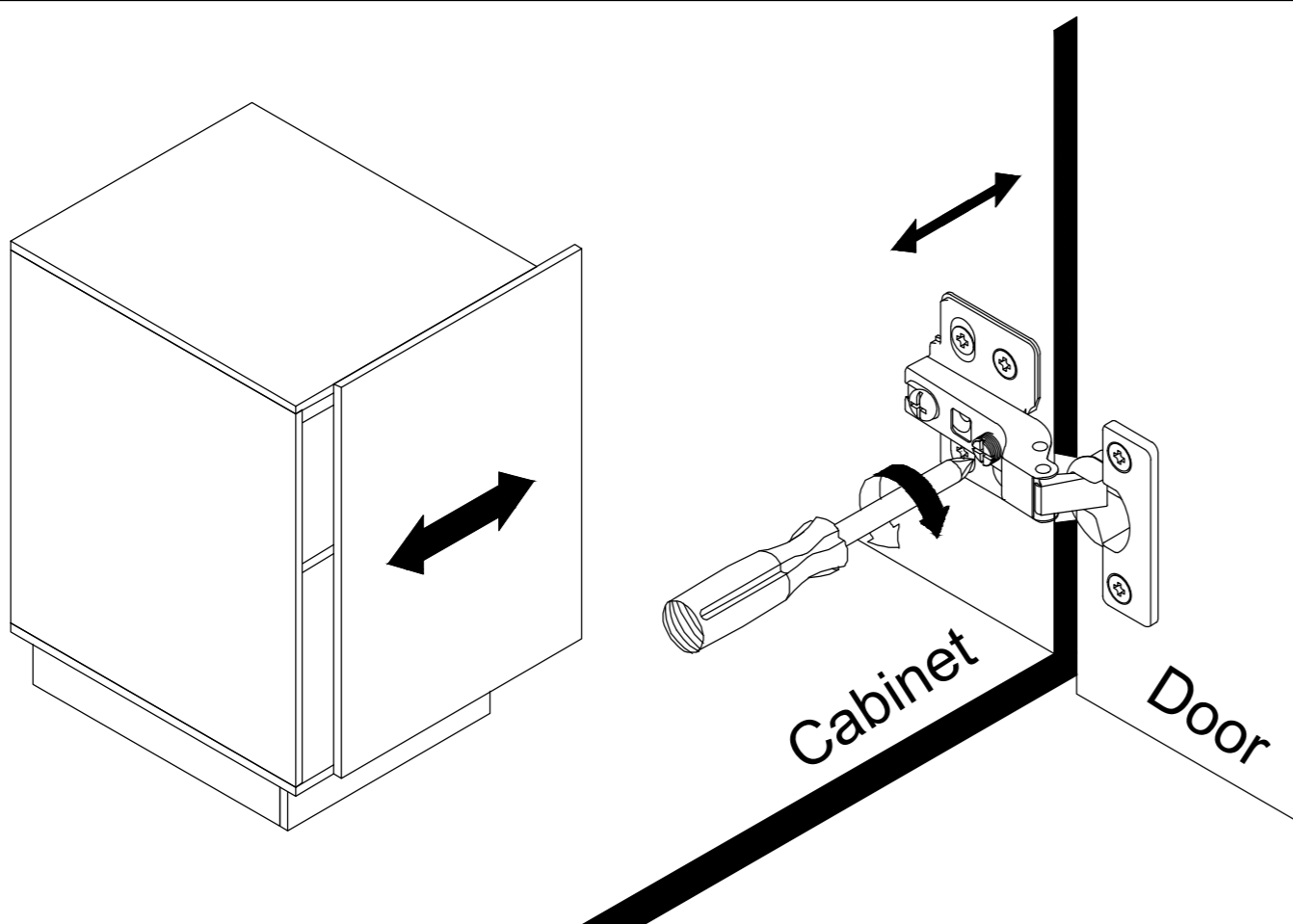
Loosen screw "B" and adjust door. If the door can not be adjusted, please loosen screw "C", then try again. Tighten screw "B" and "C".

### Para ajustar profundo.

Afloje los tornillos y ajuste la puerta, si la puerta no puede ser ajustada. Por favor afloje los tornillos "C" y luego trate otra vez. Apriete los tornillos "B" y "C".

### Pour régler la profondeur.

Desserrez la vis "B" et ajustez la porte. Si la porte ne peut pas s'ajuster, desserrez la vis "C", puis essayez de nouveau. Serrez les vis "B" et "C".



### To adjust side ways.

Turn the screw "C" on BOTH hinges on each door.

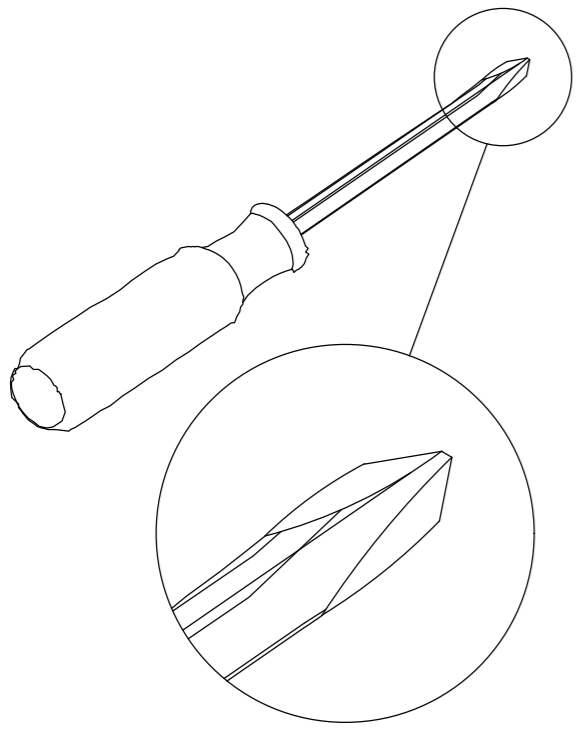
### Para ajustar los lados marcados

Gire los tornillos "C" de ambas bisagras en cada puerta

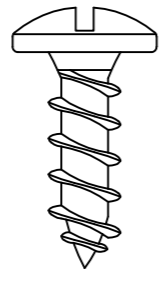
### Pour régler latéralement.

Tournez la vis "C" sur les DEUX charnières de chaque porte.

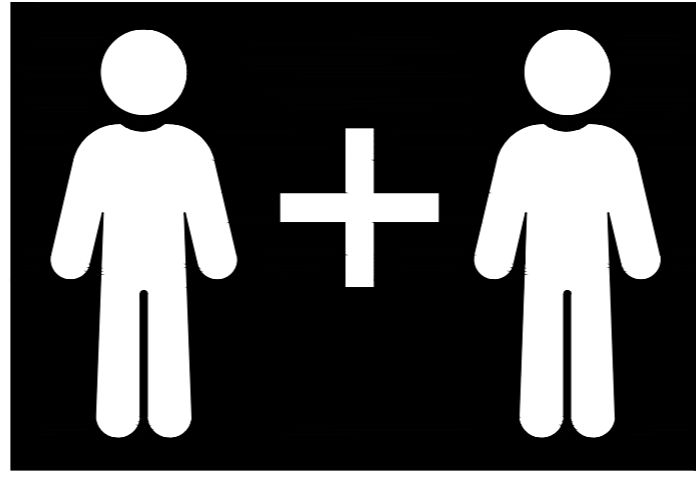
## STEP 27



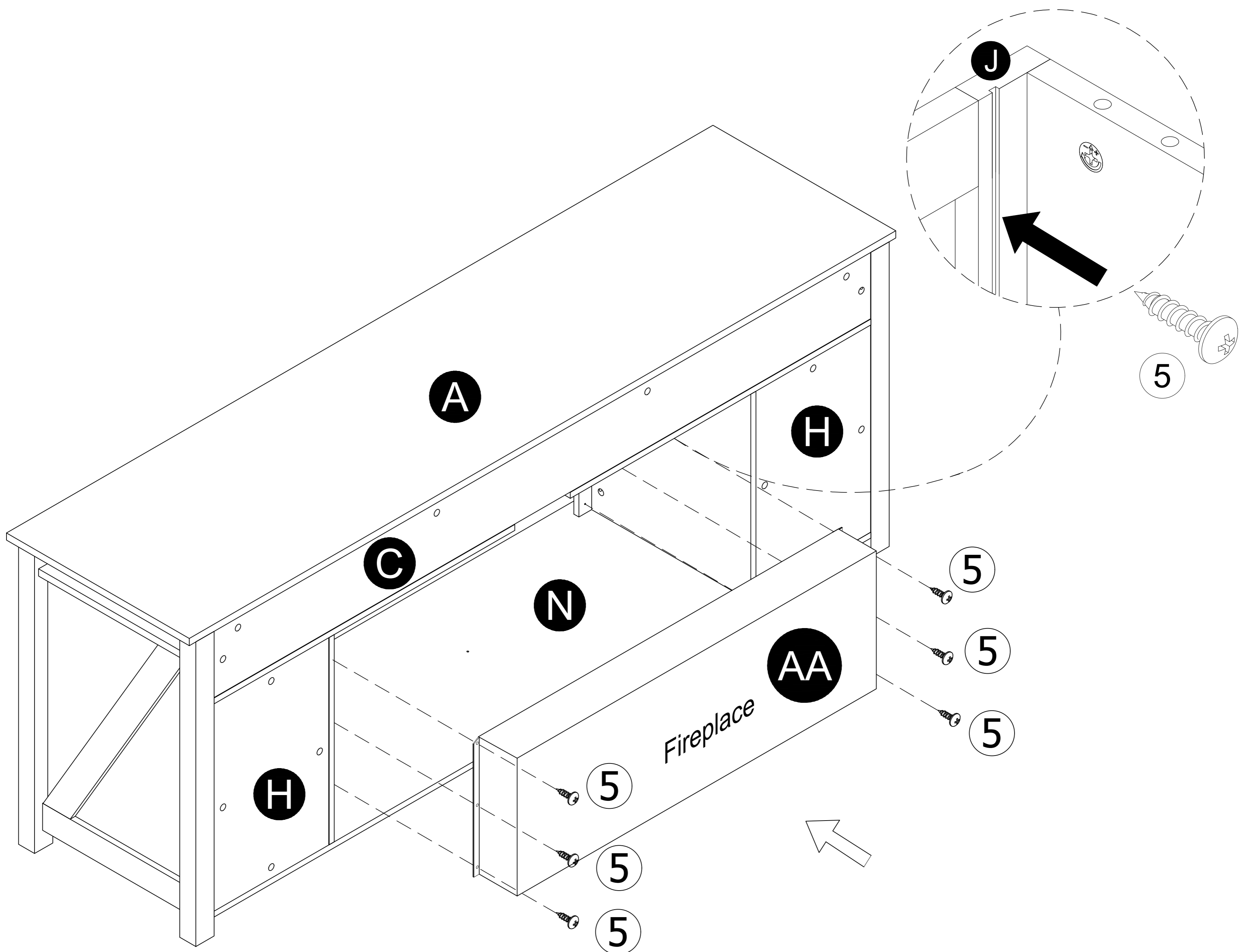
5



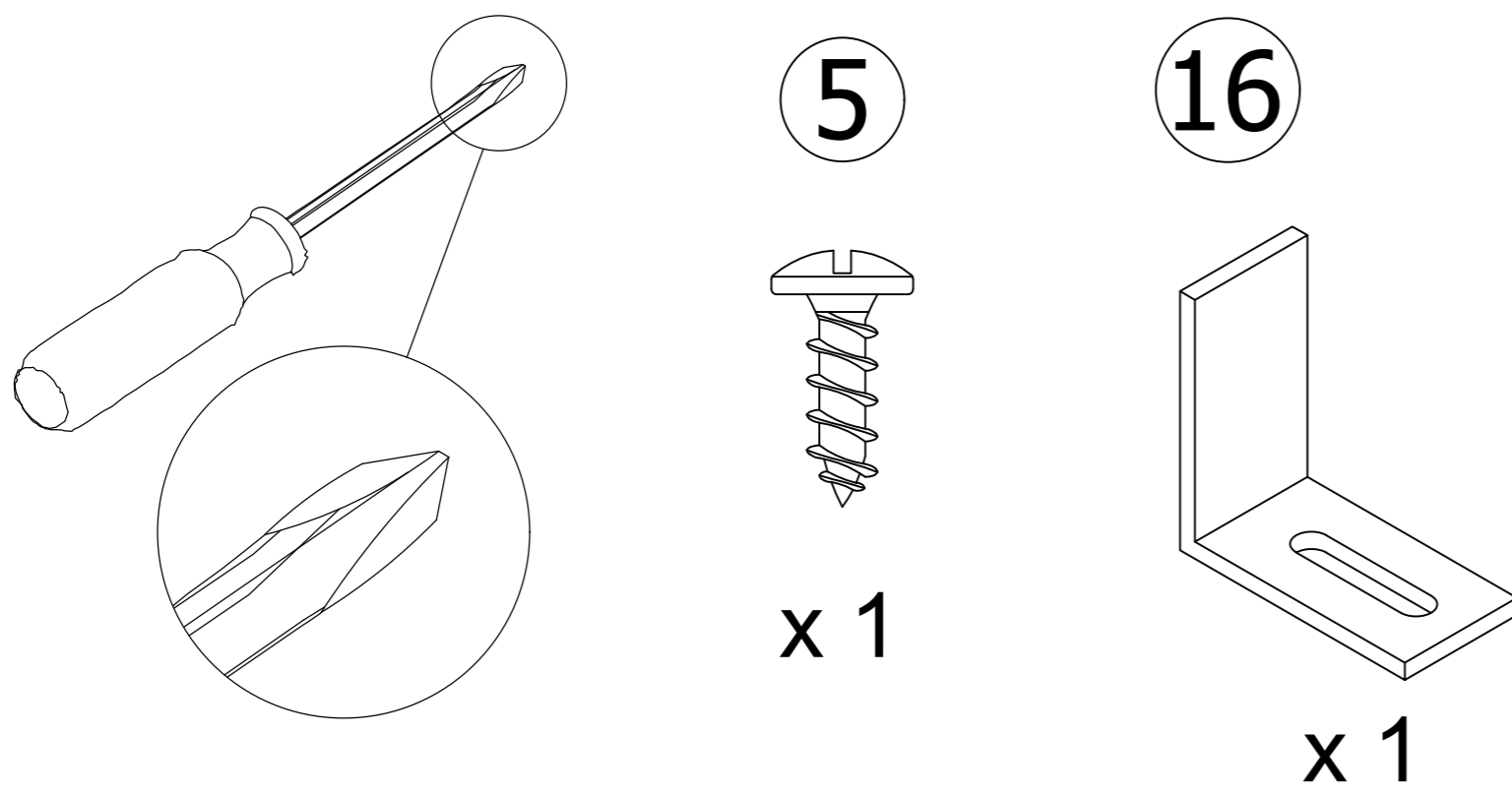
x 6



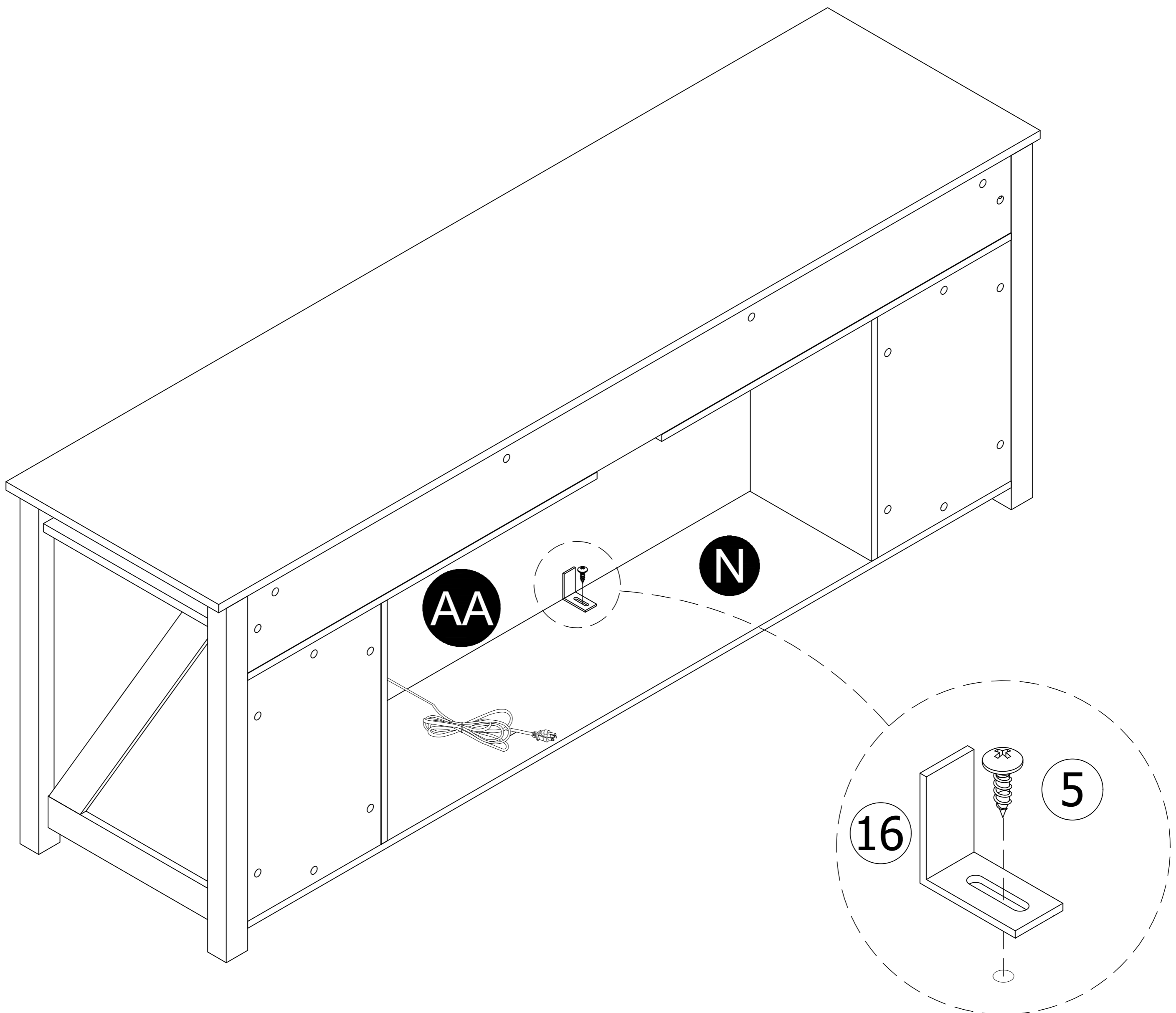
- Carefully insert the Fireplace (AA) into the back of the TV Stand and slide to the front of the unit.
- Attach Fireplace (AA) to Side Molding (J) with 6 Screws (5) as illustrated.



## STEP 28



- Attach Metal Bracket (16) to Bottom Panel (N) using screw (5) as illustrated.



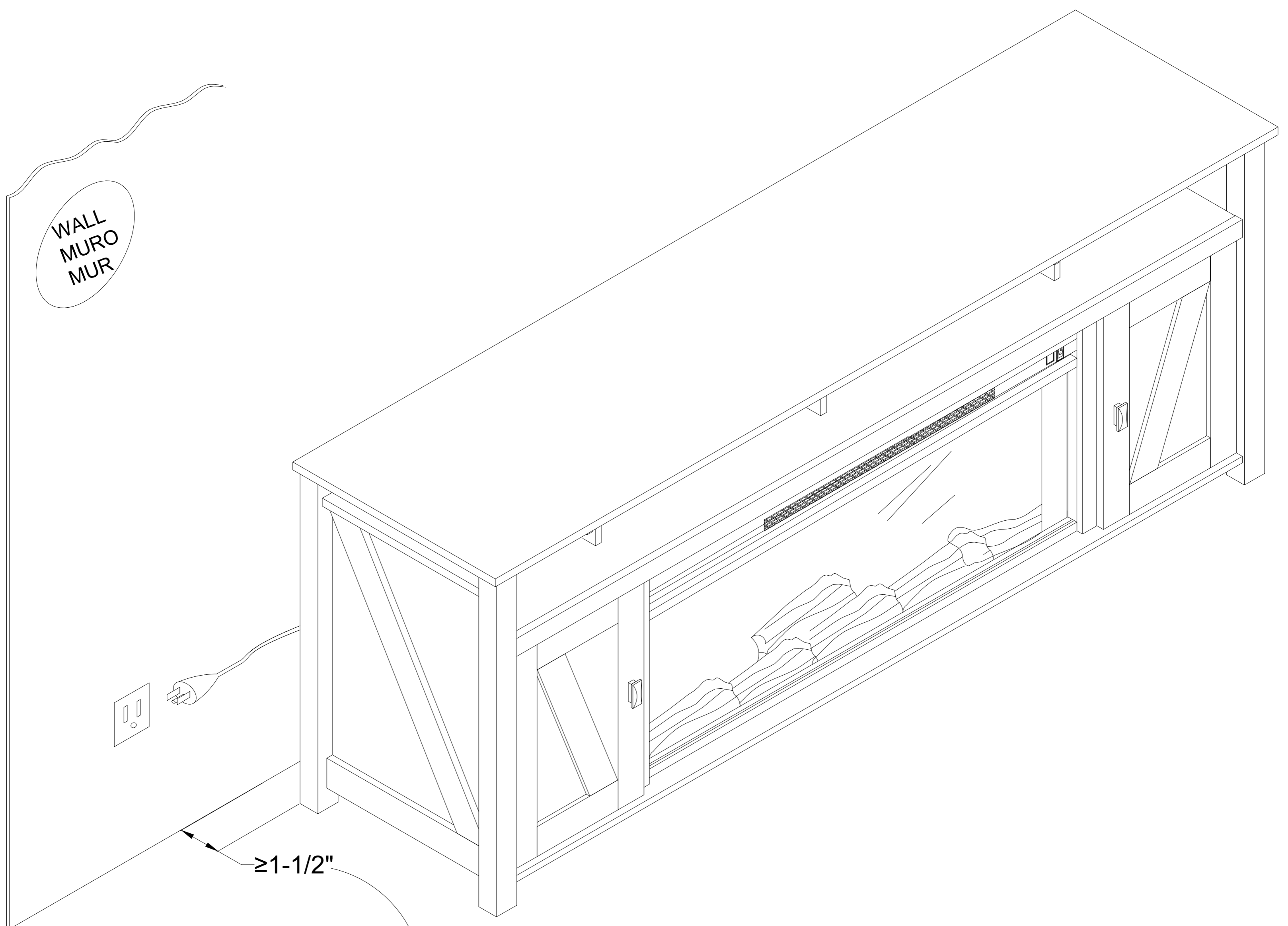
# STEP 29

## BEFORE CONNECTING THE UNIT TO A WALL ELECTRIC OUTLET

Please carefully read and follow instructions and safety warnings in “Fireplace Homeowners Operating Manual” to operate your fireplace.

### WARNING

IF THE INFORMATION IN THE FIREPALCE OPERATING MANUAL IS NOT FOLLOWED, AN ELECTRIC SHOCK OR FIRE MAY RESULT IN PROPERTY DAMAGE, PERSONAL INJURY , OR LOSS OF LIFE .



To allow proper heater ventilation, this unit must be located a minimum of 1-1/2" away from a back wall.

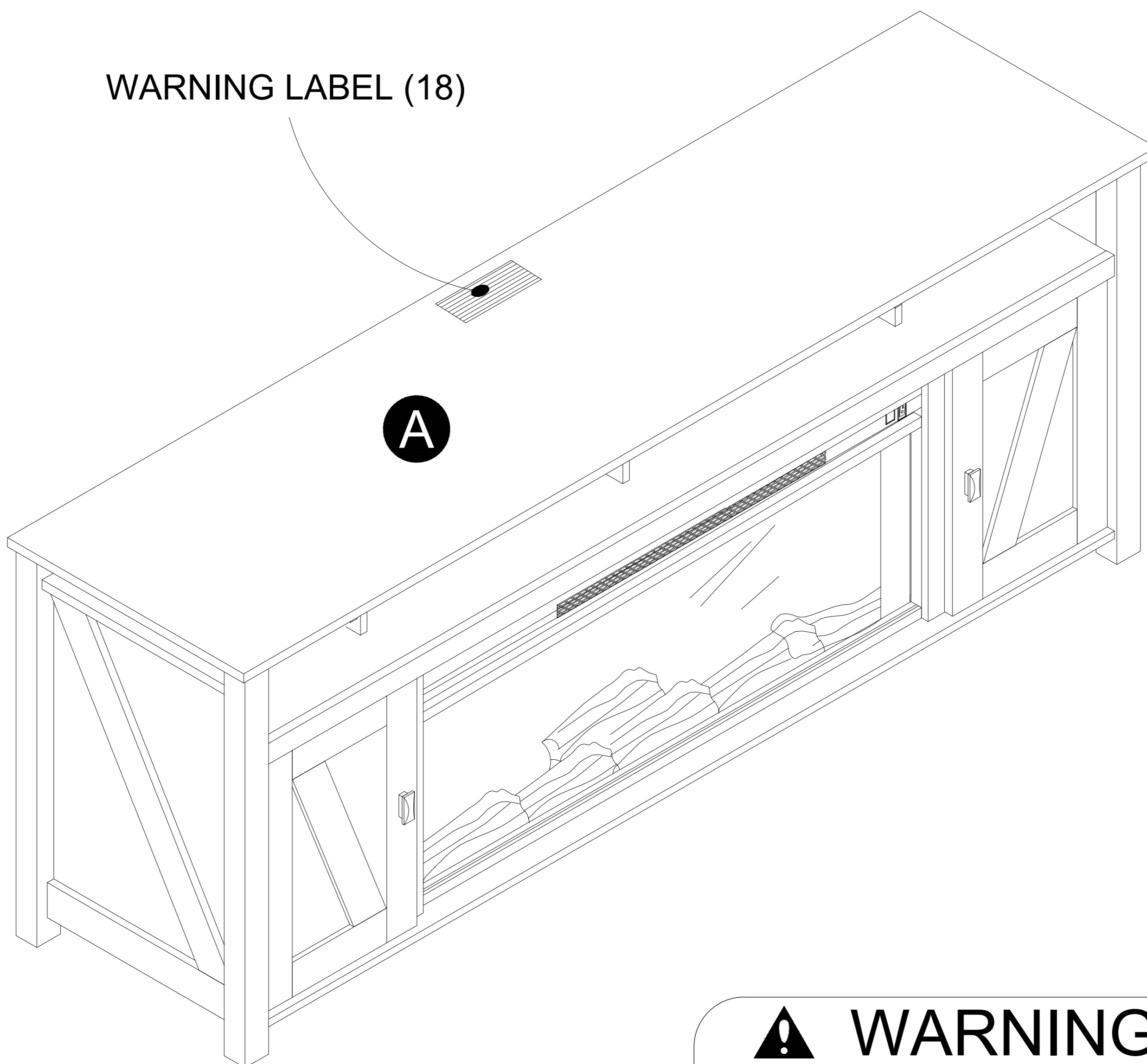
# STEP 30

18

WARNING  
ADVERTENCIA  
AVERTISSEMENT

(x1)

Apply Warning Label (18) to the center of Top Panel (A) as shown, ensuring that the TV covers the label. Please note that the label is permanent. Once affixed to your item, it will not come off and will damage the surface if removal is attempted.



 **WARNING**

Risk of death or serious injury. This unit must be placed against a fixed in place wall at least as tall as television.

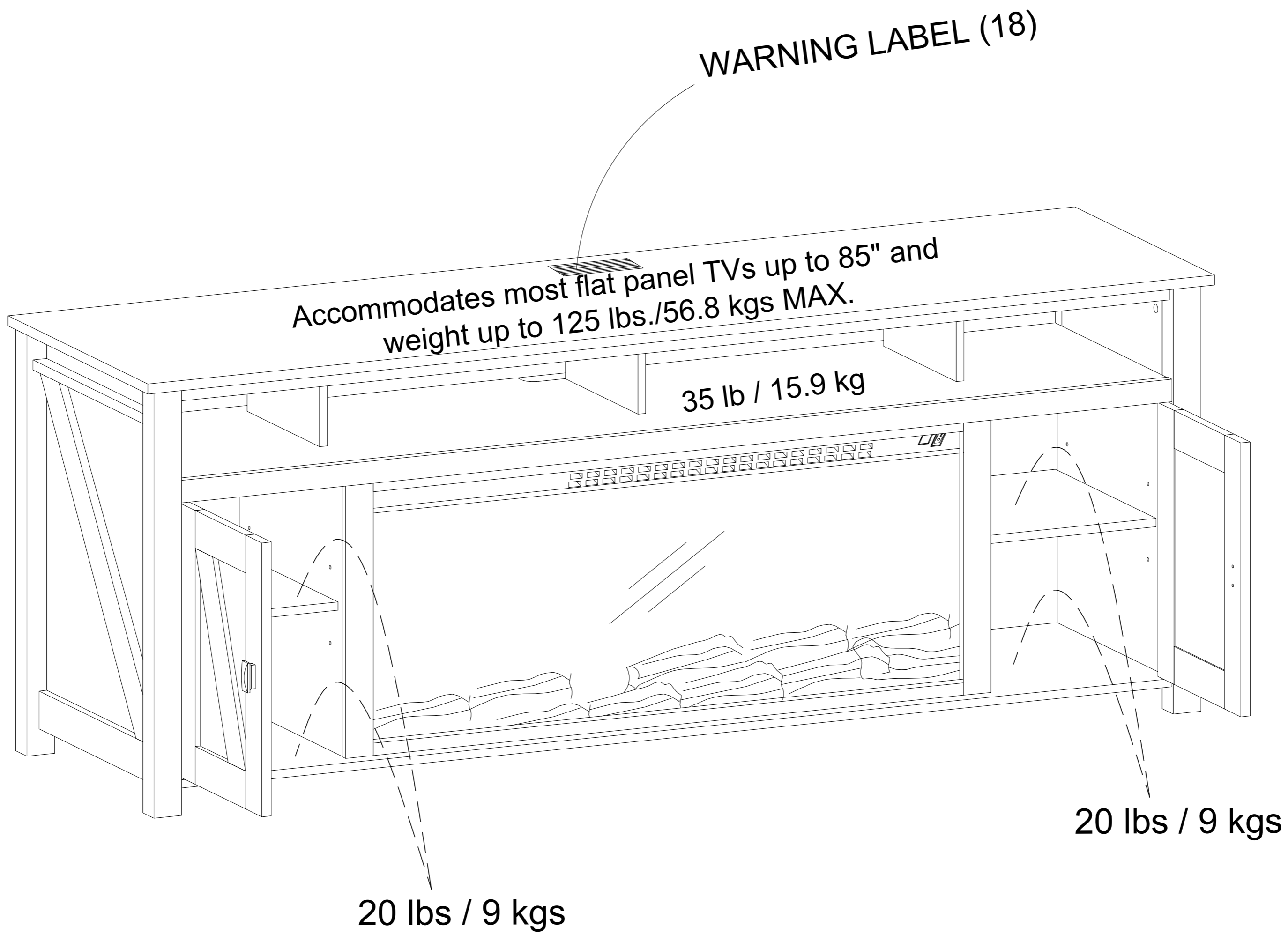


# Maximum Loads

This unit has been designed to support the maximum loads shown. Exceeding these load limits could cause sagging, instability, product collapse, and/or serious injury.

**WARNING**  
**ADVERTENCIA**  
**AVERTISSEMENT**

18



### Certificate of Conformity

1. This certificate applies to the Dorel Home Furnishings, Inc. product identified by this instruction manual.
2. This certificate applies to compliance of this product with the CPSC Ban on Lead-Containing Paint (16 CFR 1303).
3. This product is distributed by: Dorel Home Furnishings, Inc.  
 410 East First Street South  
 Wright City, MO 63390  
 636-745-3351
4. Site of Manufacture: Binh Duong, VietNam
5. See front page of instruction manual for date of manufacture.

---

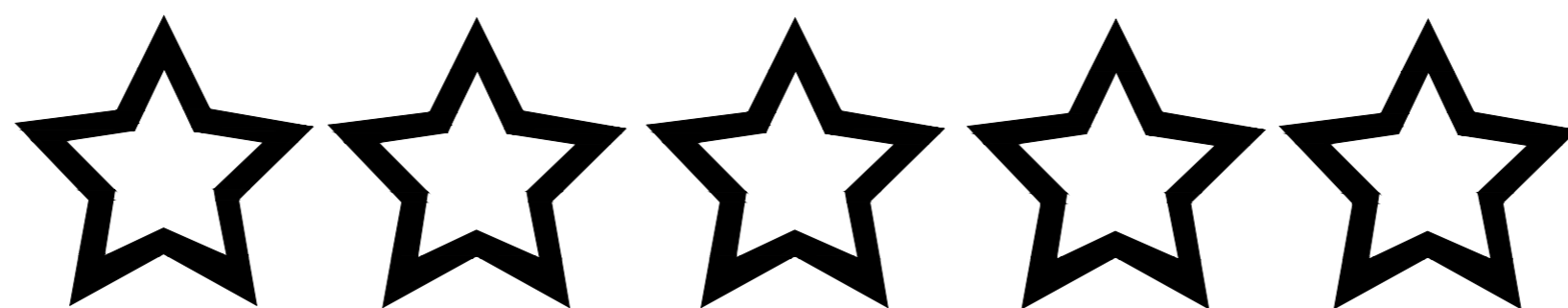
## Register your product to receive the following:



- \* New trend details - sneak peek on what's new
- \* Surveys - have a voice within our community
- \* Exclusive deals and discount codes
- \* Quick and easy replacement part service

To register your product, visit [ameriwoodhome.com](http://ameriwoodhome.com)

## *Star Rating*



Visit your local retailer's website, rate your purchased product and leave us some feedback!

We would like to extend a big "Thank You" to all of our customers for taking the time to assemble this Ameriwood Home product, and to give us your valuable feedback.

*Thank  
You!*

## Cubierta Delantera

Este libro de instrucciones contiene información **IMPORTANTE** de seguridad. Por favor lea y manténgalo para referencia en el futuro.

**No Regrese este producto!** Comuníquese con nuestro amigoso equipo de servicio al cliente para obtener ayuda.

Llámenos al: 1-800-489-3351 (Gratis)

**Visitar:** [www.ameriwoodhome.com](http://www.ameriwoodhome.com)

## PRECAUCION

Este mueble puede volcarse y causar graves heridas y/o muerte.

Anclar el mueble a un poste de madera en la pared (si esto se requiere).

No Permita que los niños monten el mueble.

Mantenga los artículos más pesados en los cajones de abajo.

## Consejos Útiles (página 2)

- Abra su artículo en el área donde usted planea utilizarlo para evitar levantar y moverlo menos
- Identificar, ordenar y contar las piezas antes de intentar ensamblar
- Las clavijas de compresión se golpean con un martillo
- Las diapositivas están marcadas con una R (derecha) y L (izquierda) para la colocación correcta
- Asegúrese de que siempre este el punto localizado en la parte superior de bloqueador de leva este volteado hacia borde exterior
- Utilizar todos los clavos para el panel de atrás y distribuirlos por igual
- El panel de atrás debe utilizarse para asegurarse de que la unidad quede fija y firme
- No use químicas fuertes ni limpiadores abrasivos en este artículo
- Nunca empuje, tire ni arrastre los muebles

## Antes de Que Empieces (página 3)

- Lea cuidadosamente cada paso y siga el orden correcto
- Separar y contar todas sus piezas y hardware
- Dése suficiente espacio para el proceso de ensamble
- Tenga las siguientes herramientas: martillo
- Precaución: Si usa un taladro electrónico o un destornillador eléctrico para atornillar, por favor asegúrese que deje de atornillar cuando el tornillo este apretado. Fallar hacer esto puede causar barrer el tornillo.

## Sistema de fijar el bloqueo de leva (página 3)

Esta sistema de fijar el bloqueo de leva sera usado en todo el proceso ensamble.

**Identificación de los Paneles (Página 5-7)**

Este no es el tamaño real

- (A) PANEL SUPERIOR
- (B) DELANTAL SUPERIOR
- (C) PANEL TRASERO SUPERIOR
- (D) PARTICIÓN SUPERIOR
- (E) ESTANTE FIJO
- (F) RIEL DE ESTANTE FIJO
- (G) MOLDURA SUPERIOR
- (H) PANEL TRASERO INFERIOR
- (I) PARTICIÓN IZQUIERDA
- (J) MOLDURA LATERAL
- (K) PARTICIÓN DERECHA
- (L) MARCO LATERAL IZQUIERDO
- (M) MARCO LATERAL DERECHO
- (N) PANEL INFERIOR
- (O) PUERTA IZQUIERDA
- (P) PIERNA MEDIA
- (Q) ESTANTE AJUSTABLE
- (R) PUERTA DERECHA
- (AA) CHIMENEA

**Lista de Piezas (Página 8-9)**

Tamaño real

- (1) Perno de leva
- (2) Bloqueo de leva
- (3) Taco de madera
- (4) Perno
- (5) Tornillo
- (6) Placa metálica
- (7) Tornillo
- (8) Tornillo
- (9) Tornillo
- (10) Tornillo

Este no es el tamaño real

- (11) Bisagra
- (12) Soporte de estante
- (13) Perilla
- (14) Parachoques
- (15) Pegamento
- (16) Soporte de ángel
- (17) Cubierta de leva
- (18) Etiqueta de advertencia

**Página 10**

Conecte 14 pernos de leva (1) al panel superior (A) como se ilustra. No apretar demasiado. Inserte cuatro clavijas de madera (3) en el faldón superior (B) como se ilustra.

**Página 11**

Conecte diez pernos de leva (1) al estante fijo (E) como se ilustra. No apretar demasiado. Inserte ocho clavijas de madera (3) en el estante fijo (E) como se ilustra.

**Página 12**

Conecte cinco pernos de leva (1) al riel de estante fijo (F) como se ilustra. NO apriete demasiado. Conecte tres pernos de leva (1) a la moldura lateral (J) x 2 como se ilustra. NO apriete demasiado.

**Página 13**

Inserte cuatro clavijas de madera (3) en la partición superior (D) x 3 como se ilustra. Inserte ocho clavijas de madera (3) en el panel posterior superior (C) como se ilustra. Inserte dos clavijas de madera (3) en la moldura superior (G) como se ilustra. leva (2) como se ilustra.

**Página 14**

Conecte dos pernos de leva (1) a la partición izquierda y derecha (I) y (K) como se ilustra. NO apriete demasiado.

Inserte 12 clavijas de madera (3) en las particiones izquierda y derecha (I) y (K) como se ilustra.

## **Página 15**

Conecte dos pernos de leva (1) al panel inferior (N) como se ilustra. NO apriete demasiado.

Inserte cuatro clavijas de madera (3) en el panel inferior (N) como se ilustra.

Inserte ocho clavijas de madera (3) en el panel trasero inferior (H) x 2 como se ilustra.

## **Página 16**

Conecte 14 pernos de leva (1) al panel lateral izquierdo y derecho (L) y (M) como se ilustra. NO apriete demasiado.

Inserte cuatro clavijas de madera (3) en los paneles laterales izquierdo y derecho (L) y (M) como se ilustra.

Coloque 12 cubiertas de levas (17) en los paneles laterales izquierdo y derecho (L) y (M) como se ilustra.

## **Página 17**

Fije la plataforma superior (B) al panel superior (A) usando cinco tornillos (7) como se ilustra.

## **Página 18**

Fije el riel del estante fijo (F) al estante fijo (E) usando cinco cerraduras de leva (2) como se ilustra.

## **Página 19**

Conecte la moldura superior (G) al estante fijo (E) usando cuatro cerraduras de leva (2) como se ilustra.

## **Página 20**

Conecte la moldura lateral (J) a la partición izquierda y derecha (I) y (K) usando seis cerraduras de leva (2) como se ilustra.

## **Página 21**

Conecte el panel trasero inferior (H) a la partición izquierda (I) usando el bloqueo de leva (2) como se ilustra.

## **Página 22**

Conecte el panel trasero inferior (H) a la partición derecha (K) usando el bloqueo de leva (2) como se ilustra.

## **Página 23**

Fije las tablas (H), (I), (K), (J) al panel inferior (N) usando cuatro tornillos (8) y dos trabas de leva (2) como se ilustra.

## **Página 24**

Conecte tres patas intermedias (P) al panel inferior (N) como se ilustra. NO apriete demasiado.

## **Página 25**

Fije tres particiones superiores (D) al estante fijo (E) usando seis tornillos (8) como se ilustra.

Asegúrese de que los orificios de bloqueo de la leva miren hacia el mismo lado que se ilustra.

## **Página 26**

Fije el panel trasero superior (C) al estante fijo (E) usando cuatro tornillos (8) como se ilustra.

## **Página 27**

Fije el estante fijo (E) a las tablas (H), (K), (I) usando seis cerraduras de leva (2) como se ilustra.

## **Página 28**

Fije dos placas de metal (6) a la moldura superior (G) y a las molduras laterales (J) usando cuatro tornillos (10) como se ilustra.

## **Página 29**

Con la ayuda de una segunda persona, gire con cuidado la unidad para que se pueda acceder al frente. Conecte el marco lateral izquierdo (L) a las tablas (H), (N), (E) y (F) usando cinco cerraduras de leva (2) como se ilustra.

## **Página 30**

Conecte el marco lateral derecho (M) a las tablas (H), (N), (E) y (F) usando cinco cerraduras de leva (2) como se ilustra.

## **Página 31**

Con la ayuda de una segunda persona, coloque la unidad en posición vertical.

Conecte los marcos laterales izquierdo y derecho (L) y (M) al panel trasero superior (C) y a los paneles traseros inferiores (H) usando cuatro cerraduras de leva (2) como se ilustra.

## **Página 32**

Fije el panel superior (A) a las tablas (L), (M), (C) y (D) usando 14 cerraduras de leva como se ilustra.

Conecte diez Cubiertas de Levas (17) a las placas (L), (M) y (D) como se ilustra..

## **Página 33**

Inserte 8 soportes para estantes (12) en el soporte para TV a las alturas de estante deseadas.

Coloque los estantes ajustables (Q) sobre los soportes de los estantes (12) como se ilustra.

## **Página 34**

Conecte cuatro bisagras (11) a las puertas izquierda y derecha (O) y (R) usando ocho tornillos (9) como se ilustra.

Conecte dos perillas (13) a las puertas izquierda y derecha (O) y (R) usando cuatro pernos (4) como se ilustra.

## **Página 35**

Conecte las puertas izquierda y derecha (O) y (R) al marco lateral izquierdo y derecho (L) y (M) usando 16 tornillos (9) como se ilustra.

Coloque cuatro parachoques (4) en las puertas izquierda y derecha (O) y (R) como se ilustra.

## **Página 36**

Ajuste de la bisagra de la puerta.

## **Página 37**

Inserte con cuidado la chimenea en la parte posterior del soporte para TV y deslícela hacia el frente de la unidad.

Fije la chimenea a la moldura lateral (J) con 6 tornillos (5) como se ilustra.

## **Página 38**

Fije el soporte metálico (16) al panel inferior (N) usando el tornillo (5) como se ilustra.

## **Página 39**

### ANTES DE CONECTAR LA UNIDAD A UN TOMACORRIENTE ELÉCTRICO DE PARED

Lea atentamente y siga las instrucciones y advertencias de seguridad del "Manual de funcionamiento del propietario de la chimenea" para operar su chimenea.

#### ADVERTENCIA

SI NO SE SIGUE LA INFORMACIÓN DEL MANUAL DE FUNCIONAMIENTO DE LA CHIMENEA, UNA DESCARGA ELÉCTRICA O UN INCENDIO PUEDE RESULTAR EN DAÑOS A LA PROPIEDAD, LESIONES PERSONALES O MUERTE.

Para permitir una ventilación adecuada del calentador, esta unidad debe ubicarse a un mínimo de 1-1/2" de distancia de la pared trasera.

## **Página 40**

Aplique la etiqueta de advertencia en el centro del panel superior como se muestra, asegúrese de que el televisor cubra la etiqueta en uso.

No podrá quitar la etiqueta después de que se aplique al panel superior.

Advertencia: Riesgo de muerte o lesiones graves. Esta unidad debe colocarse contra una pared fija al menos tan alta como un televisor.

## **Página 41**

### CARGA MAXIMA

Esta unidad ha sido diseñada para soportar la carga máxima anotada. El exceder estos límites puede causar inestabilidad, colapsarse y/o causar serias lesiones.

ADVERTENCIA: aplique la etiqueta de advertencia de TV a su unidad para que siempre tenga los límites de peso y tamaño de TV del modelo.

Tamaño máximo del televisor: pantalla plana de 85".

## **Página 42**

Registre su producto para recibir lo siguiente:

- \* Detalles de nuevas tendencias - Vistazo a lo nuevo
- \* Encuestas - aloc su voz entre su comunidad
- \* Códigos de ofertas y descuentos exclusivos
- \* Fácil y rápido servicio de partes de remplace

Para registrar su producto, visite [ameriwoodhome.com](http://ameriwoodhome.com)

Clasificación de 5 estrellas

Visite el sitio web de su distribuidor local, califique el producto que compró y déjenos sus comentarios.

Nos gustaría enviar un gran "Agradecimiento" a todos nuestros clientes por tomarse el tiempo de ensamblar este producto de Ameriwood Home, y por darnos sus valiosos comentarios.

Gracias

## Couverture Avant

CE LIVRET D'INSTRUCTION CONTIENT DES INFORMATIONS **IMPORTANTES** SUR LA SÉCURITÉ.  
VEUILLEZ LIRE ET GARDER POUR UNE RÉFÉRENCE FUTURE

**Ne retournez pas ce produit!** Contactez notre équipe de service à la clientèle amicale d'abord pour obtenir de l'aide.

**Appelez-nous:** 1-800-489-3351 (sans frais)

**Visitez:** [www.ameriwoodhome.com](http://www.ameriwoodhome.com)

## ATTENTION

Le meuble peut basculer et causer des blessures graves ou la mort.

Ancrer le meuble à une planche murale dans le mur (si indiqué).

Ne laissez pas les enfants grimper sur le meuble.

Placez les articles lourds sur les étagères ou dans les tiroirs inférieurs.

## Astuces Utiles (page 2)

-Ouvrez votre article dans la zone que vous prévoyez de le garder pour moins de levage lourd

-Identifier, trier et compter les pièces avant d'essayer d'assembler

-Les goujons de compression sont taraudés avec un Marteau

-Les glissières sont marquées d'un R (droit) et d'un L (gauche) pour un bon placement

-Assurez-vous toujours de faire face la pointe situé sur le haut de la Serrure de Came vers le bord extérieur

-Utiliser tous les clous fournis pour le panneau arrière et les répartir également

-Le panneau arrière doit être utilisé pour vous assurer que votre appareil est robuste

-N'utilisez pas de produits chimiques agressifs ou de nettoyeurs abrasifs sur cet appareil

-Ne jamais pousser, tirer, ou faire glisser votre meuble

## Avant de Commencer (page 3)

-Lisez attentivement chaque étape et suivez le bon ordre

-Séparez et comptez toutes vos pièces et matériaux

-Donnez-vous suffisamment de place pour l'assemblage

-Avoir les outils suivants: Marteau

-Attention: Si vous utilisez une perceuse électrique ou un tournevis électrique pour visser, veillez à ralentir et arrêter lorsque la vis est bien serrée. Le non-respect de cette consigne peut endommager la vis.

## Système de Fixation de Came (page 3)

Ce Système de Fixation de Came sera utilisé tout au long de l'assemblage



## Identification des matériaux (Page 5-7)

### Pas de taille réelle

- (A) PANNEAU SUPÉRIEUR
- (B) TABLIER SUPÉRIEUR
- (C) PANNEAU ARRIÈRE SUPÉRIEUR
- (D) CLOISON SUPÉRIEURE
- (E) ÉTAGÈRE FIXE
- (F) RAIL D'ÉTAGÈRE FIXE
- (G) MOULURE SUPÉRIEURE
- (H) PANNEAU ARRIÈRE INFÉRIEUR
- (I) PARTITION GAUCHE
- (J) MOULURE LATÉRALE
- (K) PARTITION DROITE
- (L) CADRE LATÉRAL GAUCHE
- (M) CADRE LATÉRAL DROIT
- (N) PANNEAU INFÉRIEUR
- (O) PORTE GAUCHE
- (P) JAMBE DU MILIEU
- (Q) ÉTAGÈRE RÉGLABLE
- (R) PORTE DROITE
- (AA) CHEMINÉE

## Liste des pièces (Page 8-9)

### Taille réelle

- (1) Boulon à came
- (2) Verrouillage à came
- (3) Cheville en bois
- (4) Boulon
- (5) Vis
- (6) Plaque métallique
- (7) Vis
- (8) Vis
- (9) Vis
- (10) Vis

### Pas de taille réelle

- (11) Charnière
- (12) Support d'étagère
- (13) Bouton
- (14) Pare-chocs
- (15) Colle
- (16) Support d'ange
- (17) Couvercle de came
- (18) Étiquette d'avertissement

### Page 10

Fixez 14 boulons à came (1) au panneau supérieur (A), comme illustré. Ne pas trop serrer.  
Insérez quatre chevilles en bois (3) dans le tablier supérieur (B), comme illustré.

### Page 11

Fixez dix boulons à came (1) à l'étagère fixe (E), comme illustré. Ne pas trop serrer.

Insérez huit chevilles en bois (3) dans l'étagère fixe (E), comme illustré.

### Page 12

Fixez cinq boulons à came (1) au rail de tablette fixe (F), comme illustré. Ne pas trop serrer.

Fixez trois boulons à came (1) à la moulure latérale (J) x 2 comme illustré. Ne pas trop serrer.

### Page 13

Insérez quatre chevilles en bois (3) dans la cloison supérieure (D) x 3 comme illustré.

Insérez huit chevilles en bois (3) dans le panneau arrière supérieur (C), comme illustré.

Insérez deux chevilles en bois (3) dans la moulure supérieure (G), comme illustré.

### Page 14

Fixez deux boulons à came (1) aux cloisons gauche et droite (I) et (K), comme illustré. Ne pas trop serrer.

Insérez 12 chevilles en bois (3) dans les cloisons gauche et droite (I) et (K) comme illustré.

## Page 15

Fixez deux boulons à came (1) au panneau inférieur (N), comme illustré. Ne pas trop serrer.

Insérez quatre chevilles en bois (3) dans le panneau inférieur (N), comme illustré.

Insérez huit chevilles en bois (3) dans le panneau arrière inférieur (H) x 2 comme illustré.

## Page 16

Fixez 14 boulons à came (1) aux panneaux latéraux gauche et droit (L) et (M), comme illustré. Ne pas trop serrer.

Insérez quatre chevilles en bois (3) dans les panneaux latéraux gauche et droit (L) et (M), comme illustré.

Fixez 12 couvercles de came (17) aux panneaux latéraux gauche et droit (L) et (M) comme illustré.

## Page 17

Fixez le tablier supérieur (B) au panneau supérieur (A) à l'aide de cinq vis (7), comme illustré.

## Page 18

Fixez le rail de tablette fixe (F) à la tablette fixe (E) à l'aide de cinq boulons à came (2), comme illustré.

## Page 19

Fixez la moulure supérieure (G) à l'étagère fixe (E) à l'aide de quatre verrous à came (2) comme illustré.

## Page 20

Fixez la moulure latérale (J) aux cloisons gauche et droite (I) et (K) à l'aide de six verrous à came (2), comme illustré.

## Page 21

Fixez le panneau arrière inférieur (H) à la cloison gauche (I) à l'aide du verrou à came (2), comme illustré.

## Page 22

Fixez le panneau arrière inférieur (H) à la cloison droite (K) à l'aide du verrou à came (2), comme illustré.

## Page 23

Fixez les planches (H), (I), (K), (J) au panneau inférieur (N) à l'aide de quatre vis (8) et de deux verrous à came (2), comme illustré.

## Page 24

Fixez trois pieds du milieu (P) au panneau inférieur (N), comme illustré. Ne pas trop serrer.

## Page 25

Fixez trois cloisons supérieures (D) à l'étagère fixe (E) à l'aide de six vis (8), comme illustré.

Assurez-vous que les trous de verrouillage à came sont orientés du même côté, comme illustré.

## Page 26

Fixez le panneau arrière supérieur (C) à l'étagère fixe (E) à l'aide de quatre vis (8), comme illustré.

## Page 27

Fixez l'étagère fixe (E) aux planches (H), (K), (I) à l'aide de six verrous à came (2), comme illustré.

## Page 28

Fixez deux plaques métalliques (6) à la moulure supérieure (G) et aux moulures latérales (J) à l'aide de quatre vis (10), comme illustré.

## Page 29

Avec l'aide d'une deuxième personne, retournez soigneusement l'appareil afin que la façade soit accessible. Fixez le cadre latéral gauche (L) aux planches (H), (N), (E) et (F) à l'aide de cinq verrous à came (2), comme illustré.

## Page 30

Fixez le cadre latéral droit (M) aux planches (H), (N), (E) et (F) à l'aide de cinq verrous à came (2), comme illustré.

## Page 31

Avec l'aide d'une deuxième personne, remettez l'appareil à la verticale.

Fixez les cadres latéraux gauche et droit (L) et (M) au panneau arrière supérieur (C) et aux panneaux arrière inférieurs (H) à l'aide de quatre verrous à came (2), comme illustré.

## Page 32

Fixez le panneau supérieur (A) aux planches (L), (M), (C) et (D) à l'aide de 14 verrous à came comme illustré.

Fixez dix couvercles de came (17) aux planches (L), (M) et (D) comme illustré.

## Page 33

Insérez 8 supports d'étagère (12) dans le support TV aux hauteurs d'étagère souhaitées.

Placez les étagères réglables (Q) sur les supports d'étagères (12) comme illustré.

## Page 34

Fixez quatre charnières (11) aux portes gauche et droite (O) et (R) à l'aide de huit vis (9), comme illustré.

Fixez deux boutons (13) aux portes gauche et droite (O) et (R) à l'aide de quatre boulons (4), comme illustré.

## Page 35

Fixez les portes gauche et droite (O) et (R) aux cadres latéraux gauche et droit (L) et (M) à l'aide de 16 vis (9), comme illustré.

Fixez quatre pare-chocs (4) aux portes gauche et droite (O) et (R) comme illustré.

## Page 36

Réglage charnière de porte.

## Page 37

Insérez soigneusement le foyer à l'arrière du support TV et faites-le glisser vers l'avant de l'appareil.

Fixez le foyer à la moulure latérale (J) avec 6 vis (5), comme illustré.

## Page 38

Fixez le support métallique (16) au panneau inférieur (N) à l'aide de la vis (5) comme illustré.'

## Page 39

### AVANT DE BRANCHIR L'APPAREIL À UNE PRISE ÉLECTRIQUE MURALE

Veuillez lire attentivement et suivre les instructions et les avertissements de sécurité dans le « Manuel d'utilisation du foyer » pour faire fonctionner votre foyer.

### AVERTISSEMENT

SI LES INFORMATIONS CONTENUES DANS LE MANUEL D'UTILISATION DE FIREPALCE NE SONT PAS RESPECTÉES, UN CHOC ÉLECTRIQUE OU UN INCENDIE PEUT ENTRAÎNER DES DOMMAGES MATÉRIELS, DES BLESSURES CORPORELLES OU LA MORT.

Pour permettre une ventilation adéquate du radiateur, cet appareil doit être situé à au moins

À 1-1/2" d'un mur arrière.

## Page 40

Appliquez l'étiquette d'avertissement au centre du panneau supérieur comme indiqué, assurez-vous que le téléviseur recouvre l'étiquette en cours d'utilisation.

Vous ne pourrez pas retirer l'étiquette après l'avoir appliquée sur le panneau supérieur.

Avertissement : risque de mort ou de blessures graves. Cet appareil doit être placé contre un mur fixe au moins aussi haut que la télévision.

## Page 41

### CHARGES MAXIMALES

Ce meuble a été conçu pour supporter les charges maximales indiquées. En excédant ces limites de charge, le meuble pourrait devenir instable, s'effondrer, et/ou causer des blessures graves.

**AVERTISSEMENT:** Appliquez l'étiquette d'avertissement du téléviseur sur votre appareil afin d'avoir toujours les limites de poids et de taille du téléviseur du modèle.

Taille maximale du téléviseur : écran plat 85".

## Page 42

Enregistrez votre produit pour recevoir les éléments suivantes:

- \* Détails sur les nouvelles tendances - un aperçu sur les nouveautés
- \* Sondages - avoir une voix au sein de notre communauté
- \* Offres exclusives et codes promo
- \* Service de pièces de rechange rapide et facile

Pour enregistrer votre produit, visitez [ameriwoodhome.com](http://ameriwoodhome.com)

### 5 Étoiles

Visitez le site Web de votre détaillant local, évaluez le produit que vous avez acheté et laissez-nous vos commentaires !

Nous tenons à offrir un grand "Merci" à tous nos clients pour avoir pris le temps d'assembler ce produit "Ameriwood Home", et de nous donner vos commentaires précieux.

Merci