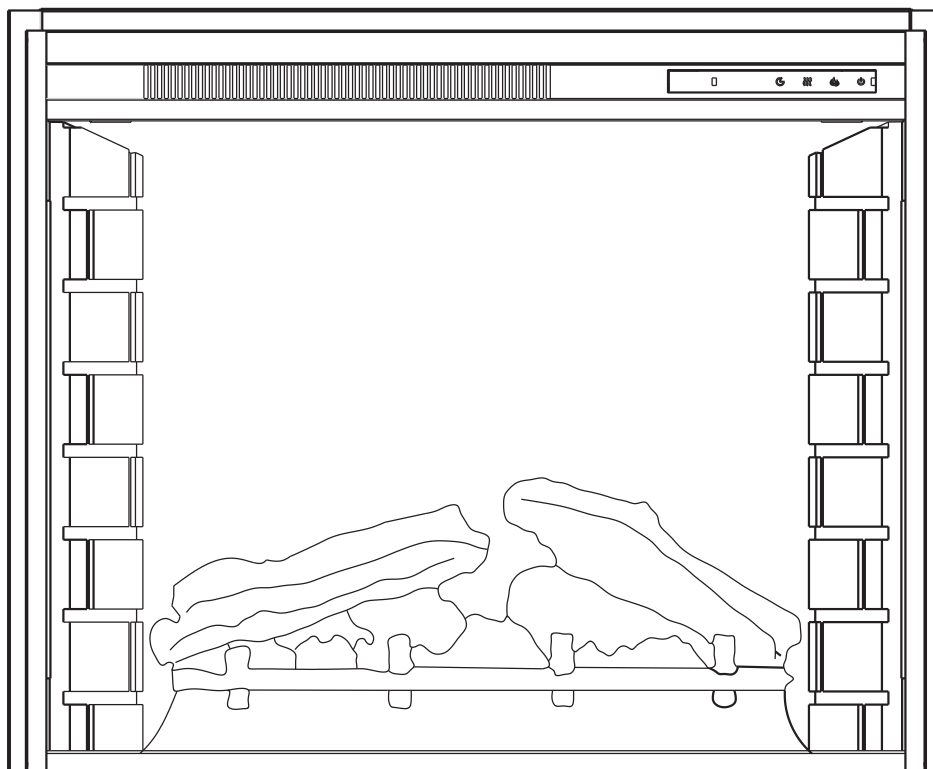




ELECTRIC FIREPLACE HOMEOWNERS OPERATING MANUAL



Thank you

Thank you and congratulations on your purchase of our fireplace. Please read the Installation instructions carefully before using this appliance.



- FA23V60
- FA23V60L
- FA26V60
- FA26V60A
- FA26V60L
- FA30V60

MODELS:

CONSUMER SAFETY INFORMATION: PLEASE READ THIS MANUAL BEFORE INSTALLING AND OPERATING THIS APPLIANCE. FAILURE TO FOLLOW THESE INSTRUCTIONS MAY RESULT IN A POSSIBLE ELECTRIC SHOCK, FIRE HAZARD , AND/OR INJURY AND WILL VOID THE WARRANTY.

WARNING: IF THE INFORMATION IN THIS MANUAL IS NOT FOLLOWED, AN ELECTRIC SHOCK OR FIRE MAY RESULT IN PROPERTY DAMAGE, PERSONAL INJURY, OR LOSS OF LIFE.

IMPORTANT INSTRUCTIONS

When using electrical appliances, basic precautions should always be followed to reduce the risk of fire, electrical shock, and/or injury including the following:

1. Read all instructions before using this heater.
2. This heater is hot when in use. To avoid burns, do not let bare skin touch hot surfaces. If provided, use handles when moving this heater.

DANGER: High temperature may be generated under certain abnormal conditions. Do not partially or fully cover or obstruct the front of the heater.

WARNING: In order to avoid overheating, do not cover the heater. It cannot be used in a closet.

3. **CAUTION:** The appliance should not be used by children or persons with reduced physical, sensory or mental capabilities.
4. Children should be advised not to play with the appliance.
5. Always unplug this appliance when not in use.
6. Do not operate any heater with a damaged cord or plug or after the appliance malfunctions, or if it has been dropped or damaged in any manner.
7. If the supply cord is damaged, it must be replaced by the manufacturer, its service agent or similarly qualified persons in order to avoid a hazard.
8. Any repairs to this fireplace should be carried out by a qualified service person.
9. Under no circumstances should this fireplace be modified. Parts having to be removed for servicing must be replaced prior to operating this fireplace again.
10. Do not use outdoors.
11. This heater is not intended for use in bathrooms, laundry areas and similar indoor locations. Never locate this appliance where it may fall into a bathtub or other water container.
12. Do not run cord under carpeting. Do not cover cord with throw rugs, runners or the like. Arrange cord away from traffic areas and where it will not be tripped over.
13. To disconnect this appliance, turn controls to the off position, then remove plug from outlet.
14. Connect to properly grounded outlet only.
15. This appliance, when installed, must be electrically grounded in accordance with local codes or, in the absence of local codes, with the current CSA C22.1 Canadian Electrical Code or for USA installations, follow local codes and the National Electrical Code, ANSI/NFPA NO.70.
16. There is a protective thermostat limiter inside the heater. When the inner temperature over heat, the thermostat limiter will shut off the power supply to avoid the risk of fire damage to the appliance.
17. The heaters must not be located immediately below a socket-outlet.
18. Do not insert or allow foreign objects to enter any ventilation or exhaust opening as this may cause an electric shock or fire, or damage the appliance.
19. To prevent a possible fire, do not block air intakes or exhaust in any manner. Do not use on soft surfaces, like bed, where opening may become blocked
20. This appliance has hot and arcing or sparking parts inside. Do not use where gasoline, paint, or flammable liquids are used or stored. This fireplace should not be used as a drying rack for clothing. Christmas stockings or decorations should not be hung in area of it.
21. Use this appliance only as described in the manual. Any other use not recommended by the manufacturer may cause fire, electric shock or injury to persons.
22. Always plug heaters directly into a wall outlet/receptacle. Never use with an extension cord or relocatable power tap (outlet/power strip).
23. This product contains a button battery. If swallowed, it could cause severe injury or death in just 2 hours.



Seek medical attention immediately.

SAVE THESE INSTRUCTIONS

INSTALLATION INSTRUCTION

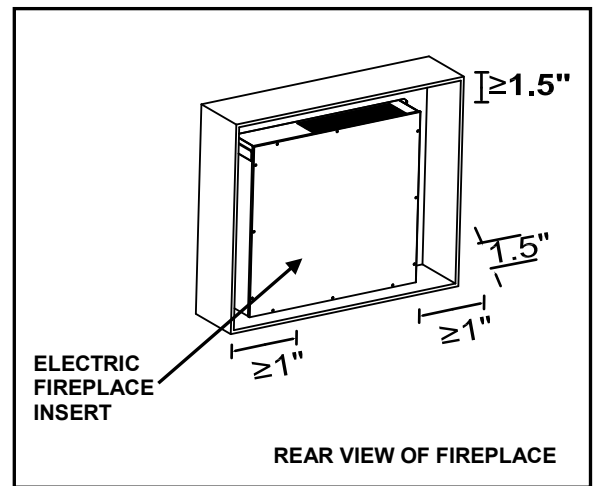
Position your completed mantel close to its final location. Make sure you can access the back of the mantel as your electric fireplace appliance will be installed from back.

Using a Phillips head screwdriver, remove the screws and the metal mounting center opening. Next unpack the electric fireplace appliance carefully. Position the appliance behind the fireplace with front facing the wood mantel. With the help of an adult assistant, lift the appliance and gently slide it into the opening in the mantel. Make sure the appliance is centered left and right in the opening. Be careful when placing appliance and adjusting, bottom of appliance could scratch the finish of the base/hearth of your fireplace. Re-attach the mounting brackets with the Phillips head screwdriver, and supplied screws.

DO NOT OVER TIGHTEN. With the help of an assistant, carefully lift completed unit and place it with the front facing out in the final location you have chosen for your fireplace. Make sure to secure the electrical cord before lifting or moving completed fireplace. When choosing a final location, make sure you will have clear access to grounded electrical outlet.

Read and follow all instructions in this manual before operating your new fireplace.

Figure 2

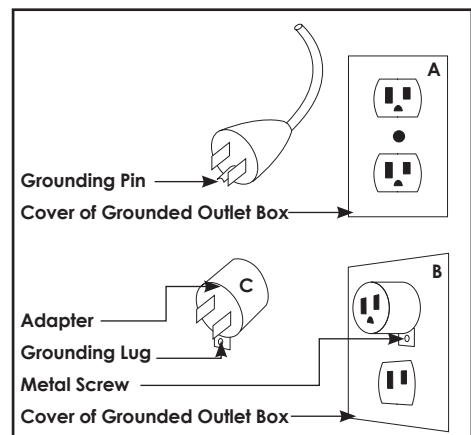


Grounding Instructions:

This heater is for use on 120 volts. The cord has a plug as shown at (A) in figure 1. An adapter as shown at (C) is available for connecting three-blade grounding-type plugs to two-slot receptacles. The green grounding lug extending from the adapter must be connected to a permanent ground such as a properly grounded outlet box. The adapter should not be used if a three-slot grounded receptacle is available.

NOTE: Adapters are NOT for use in Canada

Figure 1





Cold climate installation recommendation:
When installing this unit against a
Non-insulated exterior wall or chase, it is
mandatory that outer walls be insulated to
conform to applicable insulation codes.

ELECTRICAL SPECIFICATIONS

Voltage: 120VAC 60Hz
Watts: 1400 Watts

ELECTRICAL CONNECTION

The unit comes standard with 6 feet (1.8M) three wire cord, exiting from the rear of the fireplace. Plan the installation to avoid the use of an extension cord.

CLEANING TRIM

Clean the metal trim using a soft cloth, slightly dampened with citrus oil based product and buff with a clean soft cloth. DO NOT use brass polish or household cleaners as these products will damage the metal trim. Citrus oil based products can be obtained at supermarkets or hardware stores.

MAINTENANCE

The motors used on the fan and the flame generator assembly are pre-lubricated for extended bearing life and require no further lubrication. However, periodic cleaning/vacuuming of the fan/heater unit is recommended. Make sure the unit is turn OFF and unplugged whenever you are cleaning the heater of fireplace.



WARNING: Make sure the power is turned off before proceeding. Any electrical repairs or rewiring of this unit should be carried out by a licensed electrician in accordance with national and local codes. If repairing or replacing any electrical component or wiring, the original wire routing, color coding and securing locations must be followed.



WARNING: Electric outlet wiring must comply with local building codes and other applicable regulations to reduce risk of fire, electric shock and injury to persons.



WARNING: Do not use this fireplace if any part of it has been under water. Immediately call a qualified service technician to inspect the fireplace and replace any part of the electrical system.



WARNING: Disconnect power before attempting any maintenance or cleaning to reduce the risk of fire, electrical shock or personal injury.



WARNING: During any service of this appliance, the power to the unit must be turned off, Always remember to remove the electrical plug from the wall outlet.

OPERATING INSTRUCTION

CONTROL PANEL ACCESS

Control panel can be access at upper-right corner of the appliance

OPERATION INSTRUCTION WITHOUT REMOTE



POWER

The POWER button turns the appliance on or off. It has a memory function; the button turns off all functions at once but retains the settings in the memory. By pressing the button again, the unit will turn on at the same settings. If the TIMER has set & time has expired all functions will stop. Press the POWER button start the appliance.

FLAME

The FLAME control switch manages the flame brightness. There are 4 brightness levels and an off position. Each time the FLAME button is pressed, the intensity of the flame decrease. When adjusting the FLAME button, a number indicating the brightness of flame will be visible on the digital display. After turning on digital display, if nothing happens within 10 seconds, digital display will turn off. There is a down light over the ember bed. When the FLAME button is in the ON position, down light will turn on, it will turn off in OFF position.

The FLAME button has locking function. Press and hold the FLAME button for 5 seconds. The down light will turn off and the ember bed will flash 6 times, it is confirming the flame function is locked. When you want unlock the flame function, repress and hold the FLAME button 5 seconds, the ember bed will flash 6 times, both the flame light and down light will keep the original states.

HEATER

The HEATER button turns the heater on and off. When in ON position, press and hold the HEATER button 5 seconds and enter temperature adjustment mode. In the adjustment mode, the digital display will flash at 0.5 second intervals. There are 11 temperature settings: 72°F -74°F -76°F -78°F -80°F -82°F -ON-64°F ---72°F (22°C -23°C -24°C -25°C -26°C -27°C -ON-18°C ---22°C) After the temperature is selected the digital display will flash 5 times and exit from setting status. After turning on the digital temperature display, if nothing happen within 10 seconds, the digital display will expire. Temperature unit convert function: With the heater is ON the position, press and hold the power icon for 5 seconds, current temperature unit display will flash 3 timers and convert to another temperature unit. Lock & unlock heater function: press and hold the heater icon for 10 seconds, the ember bed will flash 6 times, indicating that the heater function is locked. To unlock the heater function, just repress and hold the heater icon for 10 seconds again, then the ember bed will also flash 6 times indicating the heater function is unlocked and to recover the original states which you have set.

TIMER

The TIMER has adjustable setting at range from 30 minutes to 6 hours and OFF. As shown the following: 30 minutes-1h-2h-3h-4h-5h-6h-OFF. If the digital display turns on and nothing happens within 10 seconds, the digital display will auto shut off. Once you have set the timer, and the timer is up, the ember bed will flash 6 timers and close all the functions and enter standby mode. In this mode, you should touch the power icon to restart the appliance.

OPERATING INSTRUCTION WITH REMOTE

POWER

The POWER icon turns the appliance on and off. It has a memory function, press the power button once to turn power on. Pressing the power button again will turn the power off.

FLAME

The FLAME button manages the flame brightness. Each time the flame button is pressed the intensity of the flame brightness. There are four brightness levels you can cycle through including the OFF setting. When adjusting the flame button a number will appear on the digital display indicating brightness of the flame. The FLAME button does not have a locking or unlocking flame function.



HEATER

The HEATER button turns the heater on and off. When pressing the HEATER button on the remote, the default setting temperature is 82°F (22°C). The HEATER button does not have locking or unlocking heater function.

TIMER

The TIMER button on the remote has the same function as the TIMER button on the control panel. It can adjust timer range from 30mins-1h-2h-3h-4h-5h-6h. The timer setting will be visible on the digital display.

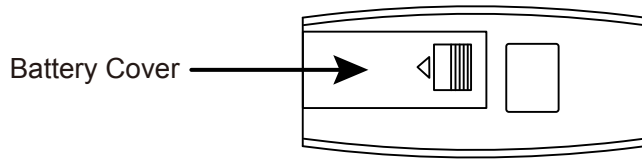
INCREASE/DECREASE BUTTON

With the heater on, press the Increase/Decrease button to change the desired temperature. There are 11 temperature settings:

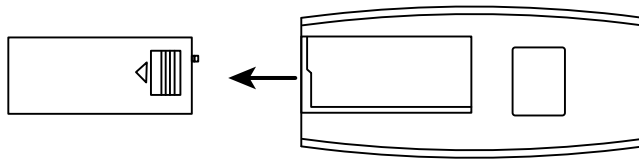
72°F -74°F -76°F -78°F -80°F -82°F -ON-64°F ---72°F (22°C -23°C -24°C -25°C -26°C -27°C -ON-18°C ---22°C).

BATTERIES REPLACEMENT

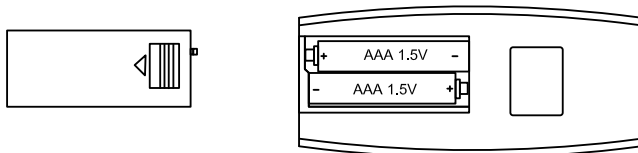
1. Turn the remote control over, and locate the battery cover.



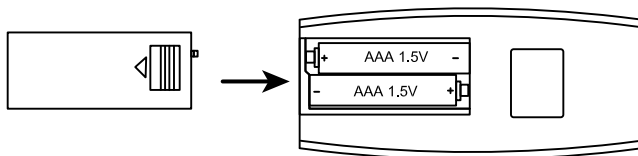
2. Remove the battery cover by sliding it towards the bottom end of the remote control.



3. Insert two AAA batteries into the battery socket, the battery has two poles(positive and negative), the flat side is negative pole, make sure the batteries are firmly seated into the remote control.



4. Reinstall the battery cover, making sure it clicks into position.



NOTE: Do not use old and new batteries together !

NOTE: The remote control is intended only for the functional operation of the product, It can not lock/ unlock the heating function!



1 YEAR LIMITED WARRANTY

Electrical Fireplace Basic Warranty

Our electrical fireplace is free from manufacturing and material defects for a period of one year from date of purchase, subject to the following conditions and limitations.

1. This electric fireplace must be installed and operated at all times in accordance with the installation and operating instructions furnished with the product, Any unauthorized repair, alteration, willful abuse, accident, or misuse of the product shall nullify this warranty.
2. This warranty is non-transferable, and is made to the original owner, provided that the purchase was made through an authorized supplier of the company.
3. The warranty is limited to the repair or replacement of parts found to be defective in material or workmanship, provided that such part(s) have been subjected to normal conditions of use and service, after said defect is confirmed by the Company's inspection.
4. The Company may, at its discretion, fully discharge all obligation with respect to this warranty by refunding the wholesale price of the defective part(s).
5. Any installation, labor, construction, transportation, or other related costs/expenses arising from defective part(s), repair, replacement, or otherwise of same, will not be covered by this warranty, nor shall the Company assume responsibility for same.
6. The owner/user assumes all other risks, if any, including the risk of any direct, indirect or consequential loss or damage arising out of the use, or inability to use the product, except as provided by law.
7. All other warranties-expressed or implied-with respect to the product, its components and accessories, or any obligation/liabilities on the part of the Company are hereby expressly included.
8. The Company neither assumes, nor authorizes any third party to assume, on its behalf, any other liabilities with respect to the sale of our product.
9. The warranties as outlined within this document do not apply to non our accessories used in conjunction with the installation of this product. This warranty is void if :
 - a. The fireplace is subjected to prolonged periods of dampness or condensation.
 - b. Any unauthorized alteration, willful abuse, accident, or misuse of the product.
 - c. You do not have the original receipt of purchase.

IF WARRANTY SERVICE IS NEEDED

Call at 1-800-489-3351 or visit our website: www.altrafurniture.com.

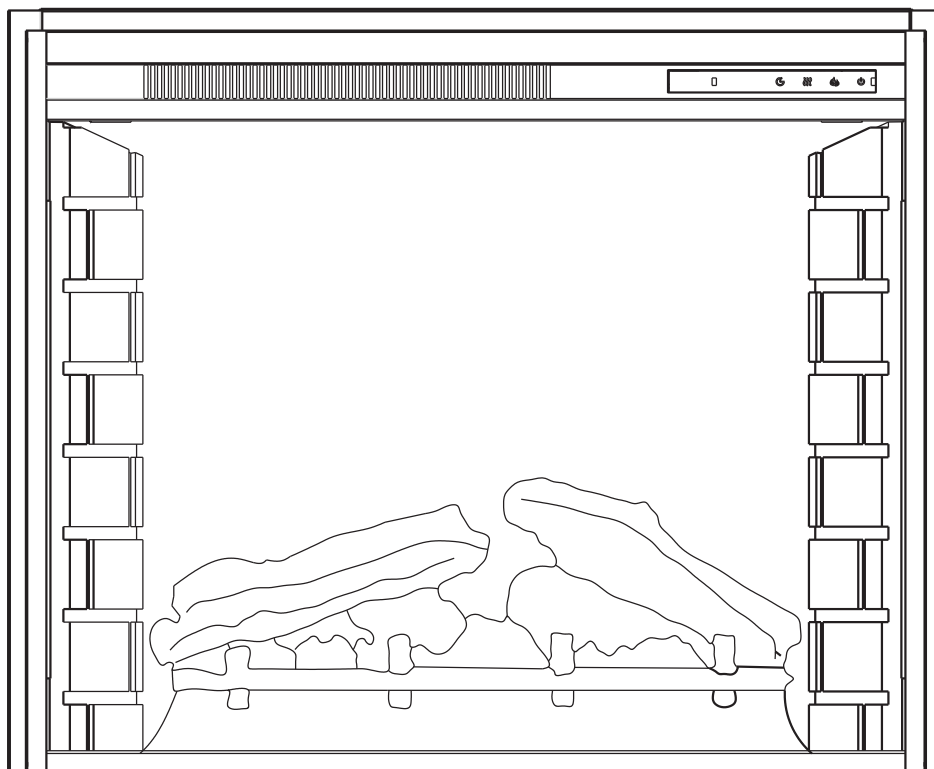
Make sure you have sales receipt, location of purchase and the model/serial number of your product.

Made in China
Printed in China



FOYER ÉLECTRIQUE

MANUEL D'UTILISATION DU PROPRIÉTAIRE



Merci

Merci et félicitations pour l'achat de votre foyer. Veuillez s'il vous plaît lire attentivement les instructions d'installation avant d'utiliser cet appareil.



- FA23V60
- FA23V60L
- FA26V60
- FA26V60A
- FA26V60L
- FA30V60

MODÈLES:

INFORMATION SUR LA SÉCURITÉ DES CONSOMMATEURS: S'IL VOUS PLAÎT LIRE CE MANUEL AVANT D'INSTALLER ET D'UTILISER CET APPAREIL. LE NON-RESPECT DE CES INSTRUCTIONS PEUT ENTRAÎNER LA POSSIBILITÉ DE CHOC ÉLECTRIQUE, UN RISQUE D'INCENDIE, ET/OU DES BLESSURES ET ANNULERA LA GARANTIE.

AVERTISSEMENT: SI LES INFORMATIONS DANS CE MANUEL NE SONT PAS RESPECTÉES, UN CHOC ÉLECTRIQUE OU UN INCENDIE PEUT ENTRAÎNER DES DÉGÂTS MATÉRIELS. DES BLESSURES OU DES PERTES DE VIE.

INSTRUCTIONS IMPORTANTES

Lorsque vous utilisez des appareils électriques, des précautions de base doivent être observées afin de réduire les risques d'incendie, de choc électrique, et/ou de blessures incluant ce qui suit:

1. Lire toutes les instructions avant d'utiliser cet appareil de chauffage.
2. Cet appareil de chauffage est chaud lorsqu'il est utilisé. Pour éviter les brûlures, ne pas toucher aux surfaces chaudes de l'appareil à mains nues. Au besoin, utiliser les poignées pour déplacer l'appareil.
DANGER: Une température élevée peut être générée sous certaines conditions anormales. Ne pas couvrir ou obstruer partiellement ou complètement le devant de la chaufferette.
AVERTISSEMENT: Afin d'éviter la surchauffe, ne pas couvrir la chaufferette. Elle ne peut pas être utilisée dans un placard.
3. **ATTENTION:** L'appareil ne doit pas être utilisé par des enfants ou des personnes dont les capacités physiques, sensorielles ou mentales sont réduites.
4. Les enfants devraient être avisés de ne pas jouer avec ce foyer.
5. Débrancher toujours l'appareil lorsqu'il n'est pas utilisé.
6. Ne pas utiliser aucune chaufferette avec un cordon ou une fiche endommagée ou après un dysfonctionnement de l'appareil, ou si l'appareil a été échappé ou endommagé de quelque façon.
7. Si le cordon d'alimentation est endommagé, il doit être remplacé par le fabricant, un agent de service ou des techniciens qualifiés afin d'éviter tout danger.
8. Toute réparation de cet appareil doit être effectuée par un personnel d'entretien qualifié et autorisé seulement.
9. En aucun cas ce foyer doit être modifié. Les pièces devant être retirées pour l'entretien, doivent être remplacées avant d'utiliser ce foyer à nouveau.
10. Ne pas utiliser à l'extérieur.
11. Cet appareil de chauffage n'a pas été conçu pour être utilisé dans une salle de bain, une salle de lavage ni pour tout autre endroit similaire à l'intérieur. Ne jamais placer cet appareil où il pourrait tomber dans la baignoire ou un contenant rempli d'eau.
12. Ne pas acheminer le cordon sous un tapis. Ne pas couvrir le cordon d'une moquette ou d'un tapis, ou de tout autre matériau similaire. Disposer le cordon à bonne distance des zones de passage, à un endroit où il ne risque pas d'être un obstacle.
13. Pour débrancher l'appareil, tourner la commande en position d'arrêt (OFF), puis débrancher la fiche de la prise murale.
14. Branchez dans des prises correctement mises à la terre seulement.
15. Lors de l'installation, veillez à ce que le foyer soit mis à la terre conformément aux codes locaux, à la plus récente version du Code canadien de l'électricité, CSA C22.1 ou, dans le cas des installations aux É.-U., aux codes locaux et au code national de l'électricité, ANSI/NFPA N°70.
16. Il y a un thermostat à l'intérieur du foyer. Quand la température interne est trop élevée ou qu'un chauffage anormal se produit, le dispositif protecteur à thermostat coupera l'alimentation pour éviter des dommages au foyer ou un risque d'incendie.
17. Les chaufferettes ne doivent pas être situées immédiatement au-dessous d'une prise de courant.
18. N'insérez jamais un objet, quel qu'il soit, dans les ouvertures de ventilation ou de sortie d'air du foyer afin de prévenir les dommages ainsi que les risques de choc électrique et d'incendie.
19. Afin de prévenir les risques d'incendie, ne bloquez jamais les prises d'entrée ou de sortie d'air de quelque façon que ce soit. Ne placez pas l'appareil sur une surface molle comme un lit, car les ouvertures pourraient se bloquer.
20. Ce foyer renferme des pièces chaudes et qui produisent des arcs électriques ou des étincelles. N'utilisez

pas le foyer là où de l'essence, de la peinture ou des liquides inflammables sont utilisés ou entreposés. Cefoyer et ses environs ne doivent pas servir de support de séchage pour les vêtements ni à accrocher des bas de Noël ou des décorations.

21. Utilisez cet appareil comme décrit dans ce manuel seulement. Toute autre utilisation non recommandée par le fabricant pourrait causer un incendie, une décharge électrique ou une blessure.

22. Toujours chauffe brancher directement dans une prise de courant / de la prise murale. Ne jamais utiliser avec une rallonge ou du robinet d'alimentation relocatable (bande de sortie / puissance).

23. Cet article contient une pile bouton. De graves blessures ou la mort pourraient suivre dans les deux heures suivant l'ingestion. Demander l'aide de professionnels de la santé sur-le-champ.

CONSERVEZ CES INSTRUCTIONS

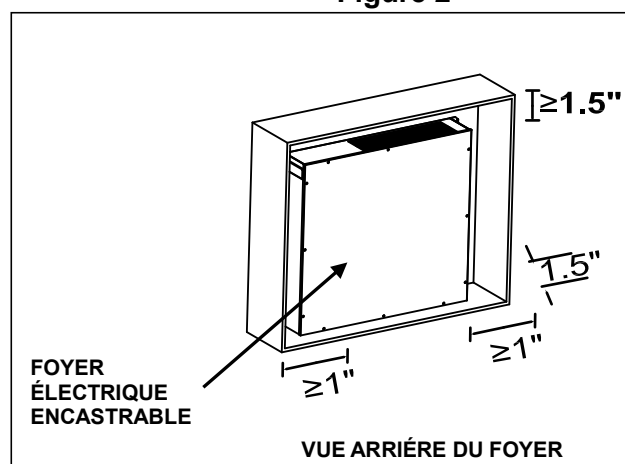
INSTRUCTION D'INSTALLATION

Placez votre manteau de cheminée terminé près de son emplacement définitif. Assurez-vous que vous pouvez avoir accès derrière le manteau car votre foyer électrique sera installé de l'arrière.

Avec un tournevis à tête cruciforme, enlevez les vis et le montage métallique au centre de l'ouverture. Ensuite, déballiez soigneusement l'appareil du foyer électrique. Placez l'appareil derrière le foyer avec la façade orientée vers le manteau en bois. Avec l'aide d'un adulte, soulevez l'appareil et glissez-le doucement dans l'ouverture dans le manteau. Assurez-vous que l'appareil est centré gauche et droit dans l'ouverture. Faites attention lorsque vous placez et ajustez l'appareil, le dessous de l'appareil pourrait égratigner la finition de la base/coeur de votre foyer. Fixez de nouveau les supports de montage avec le tournevis à tête cruciforme, et les vis fournies.

Lire et suivre toutes les instructions dans ce manuel avant de faire fonctionner votre nouveau foyer.

Figure 2



NE PAS SERRER EXCESSIVEMENT. Avec l'aide d'un

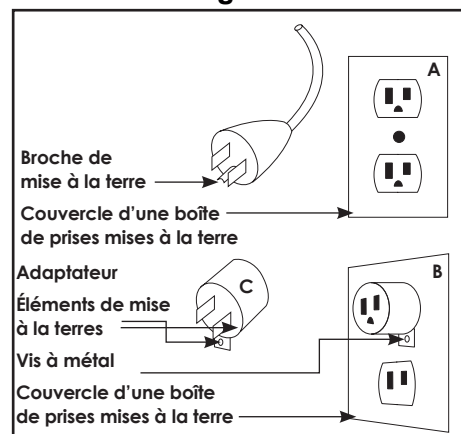
assistant, soulevez délicatement l'unité achevé et placez-le avec la façade orientée vers l'extérieur de son emplacement définitif que vous avez choisi pour votre foyer. Assurez-vous de sécuriser le cordon d'alimentation avant de soulever ou de déplacer le foyer achevé. En choisissant l'emplacement définitif, assurez-vous d'avoir accès à une prise électrique avec mise à la terre.

INSTRUCTIONS DE MISE À LA TERRE:

Cet appareil fonctionne sous une tension de 120 volts. Le cordon d'alimentation a été branché comme le montre la figure 1A du diagramme. Un adaptateur, comme le montre la figure 1C, peut être utilisé pour raccorder une fiche à trois broches (mise à la terre) à une prise à deux fentes. La fiche de mise à la terre verte de l'adaptateur doit être raccordée à une mise à la terre permanente (prise de courant mise à la terre). L'adaptateur ne doit pas être utilisé si une prise à trois fentes mise à la terre est disponible.

Notez: Utilisation d'un adaptateur est interdit au Canada)

Figure 1





Recommandation pour installation par temps froid: Lorsque vous installez cet unité contre un mur ou enchâssure non isolée, il est obligatoire que les murs extérieurs soient isolés conformément aux codes d'isolation en vigueur.

SPÉCIFICATIONS ÉLECTRIQUES

Voltage: 120VAC 60Hz

Watts: 1400 Watts

RACCORD ÉLECTRIQUE

L'unité vient avec un cordon électrique à trois broches standard de 6 pieds (1.8M), sortant à l'arrière du foyer. Planifiez l'installation afin d'éviter l'utilisation d'une rallonge.

ENTRETIEN DE LA GARNITURE

Nettoyez la garniture en métal avec un chiffon doux, imbibé légèrement d'un produit à base d'huile de citron et frottez avec un chiffon doux propre. NE PAS utiliser de poli pour laiton ou de nettoyants ménagers car ces produits endommageront la garniture en métal. Les produits à base d'huile de citron peuvent être trouvés dans les supermarchés ou les quincailleries.

ENTRETIEN

Les moteurs utilisés pour la soufflerie et la génératrice de flamme sont pré-lubrifiés pour la durée de vie prolongée des roulements et ne nécessitent aucune lubrification supplémentaire. Cependant, le nettoyage/aspirateur de l'unité de soufflerie/chaufferette est recommandé. Assurez-vous que l'unité est éteint (OFF) et débranché chaque fois que vous nettoyez la chaufferette du foyer.



AVERTISSEMENT: Assurez-vous que l'alimentation est coupée avant de procéder. Toutes réparations électriques ou câblage de cet unité doivent être effectuées par un électricien agréé conformément aux codes nationaux et locaux. Pour réparer ou remplacer un composant électrique ou le câblage, l'acheminement original du câble, le code de couleur et les emplacements sécurisés doivent être suivis.



AVERTISSEMENT: Le câblage électrique de sortie doit être conforme avec les codes de bâtiment locaux et autres réglementations en vigueur afin de réduire les risques d'incendie, de chocs électriques et de blessures corporelles.



AVERTISSEMENT: Ne pas utiliser ce foyer si une partie quelconque du foyer a été sous l'eau. Appelez immédiatement un technicien qualifié pour inspecter le foyer et remplacer toute pièce du système électrique.



AVERTISSEMENT: Coupez l'alimentation avant d'entreprendre tout entretien ou nettoyage afin de réduire le risque d'incendie, de choc électrique ou de blessures corporelles.



AVERTISSEMENT: Pendant le service de cet appareil, l'alimentation de l'appareil doit être hors tension. Rappelez-vous toujours de débrancher la fiche électrique de la prise murale.

MODE D'EMPLOI

ACCESS AU PANNEAU DE CONTRÔLE

Le panneau de contrôle est accessible dans le coin supérieur droit de l'appareil.

INSTRUCTION DE FONCTIONNEMENT SANS TÉLÉCOMMANDE



MISE EN MARCHÉ

La touche de MISE EN MARCHÉ allume et éteint l'appareil. Il a une fonction de mémoire; la touche désactive toutes les fonctions sur le champ mais conserve les réglages en mémoire. En appuyant de nouveau sur la touche, l'appareil se met en marche avec les mêmes réglages. Si la MINUTERIE était réglée et que le temps a expiré, toutes les fonctions s'arrêteront. Appuyez sur la touche de MISE EN MARCHÉ pour allumer l'appareil.

FLAMME

L'interrupteur de commande de la FLAMME contrôle l'intensité de la flamme. Il y a 4 niveaux d'intensité et une position ARRÊT. Chaque fois que la touche FLAMME est pressée, l'intensité de la flamme diminue. Lorsque vous ajustez la touche de la FLAMME, un numéro indiquant l'intensité de la flamme sera visible sur l'écran numérique. Après avoir allumé l'écran numérique, s'il n'y a aucune activité pendant 10 secondes, l'écran numérique s'éteindra. Il y a une lumière descendante au-dessus du lit de braises. Lorsque la touche FLAMME est en position MARCHÉ, la lumière descendante s'allumera. Elle s'éteindra à la position ARRÊT. La touche FLAMME a une fonction de verrouillage. Appuyez et maintenez la touche FLAMME pendant 5 secondes. La lumière descendante s'éteindra et le lit de braises clignotera 6 fois, cela confirme que la fonction FLAMME est verrouillée. Lorsque vous voulez déverrouiller la fonction FLAMME, appuyez de nouveau et maintenez la touche FLAMME pendant 5 secondes, le lit de braises clignotera 6 fois, la lumière de la flamme et la lumière descendante garderont leurs états originaux.

CHAUFFERETTE

La touche CHAUFFERETTE allume et éteint la chaufferette. En position MARCHÉ, appuyez et maintenez la touche CHAUFFERETTE pendant 5 secondes et entrez le mode réglage de température. En mode réglage, l'écran numérique clignotera à 0.5 seconde d'intervalles. Il y a 11 réglages de température:

72°F-74°F-76°F-78°F-80°F-82°F-ON-64°F---72°F (22°C-23°C-24°C-25°C-26°C-27°C-ON-18°C---22°C)

Après avoir choisi la température, l'écran numérique clignotera 5 fois et sortira de son mode de réglage.

Après avoir allumé l'écran numérique de température, s'il n'y a aucune activité pendant 10 secondes, l'écran numérique s'éteindra.

Fonction de conversion d'unité de température: Avec la chaufferette en position MARCHÉ, appuyez et maintenez l'icône d'alimentation pendant 5 secondes, l'affichage de l'unité de température actuelle clignotera 3 fois et changera pour une autre unité de température.

Fonction de chaufferette verrouillée & déverrouillée: Appuyez et maintenez l'icône Chaufferette pendant 10 secondes, le lit de braises clignotera 6 fois, indiquant que la fonction de chaufferette est verrouillée. Pour déverrouiller la fonction de chaufferette, simplement appuyez de nouveau et maintenir l'icône de chaufferette pendant 10 secondes encore, puis le lit de braises clignotera 6 fois indiquant que la fonction de chaufferette est déverrouillée et reviendra aux réglages initiaux que vous aviez définis.

MINUTERIE

La MINUTERIE a des paramètres ajustables par intervalles de 30 minutes jusqu'à 6 heures et ARRÊT. Comme le montre ce qui suit: 30 minutes-1h-2h-3h-4h-5h-6h-ARRÊT. Si l'écran numérique s'allume et qu'aucune activité n'est détectée après 10 secondes, le lit de braises clignotera 6 fois et fermera toutes les fonctions et entrera en mode veille. Dans ce mode, vous devez toucher l'icône d'alimentation pour redémarrer l'appareil.

MODE D'EMPLOI AVEC TÉLÉCOMMANDE

MISE EN MARCHÉ

L'icône D'ALIMENTATION allume et éteint l'appareil. Il a une fonction de mémoire, appuyez sur la touche d'alimentation une fois pour allumer l'appareil. Éteignez l'appareil en appuyez de nouveau sur la touche d'alimentation.

FLAMME

La touche FLAMME contrôle l'intensité de la flamme. Chaque fois que vous appuyez sur la touche de la flamme, l'intensité de la flamme augmente. Il y a quatre niveaux d'intensité que vous pouvez faire défiler incluant le réglage ARRÊT. Lorsque vous ajustez la touche de la flamme, un numéro apparaîtra sur l'écran numérique indiquant l'intensité de la flamme. La touche FLAMME n'a pas de fonction de verrouillage ou déverrouillage de la flamme.



CHAUFFERETTE

L'interrupteur de commande de la CHAUFFERETTE allume et éteint la chaufferette. Lorsque l'interrupteur est à la position MARCHÉ (ON), la chaufferette fonctionne et la lumière sur l'interrupteur est allumée. Ils s'éteindront lorsque l'interrupteur sera à la position ARRÊT (OFF).

MINUTERIE

La touche MINUTERIE sur la télécommande a la même fonction que la touche MINUTERIE sur le panneau de contrôle. Il peut régler la gamme de minuterie de 30 mins-1h-2h-3h-4h-5h-6h. Le réglage de la minuterie sera visible sur l'écran numérique.

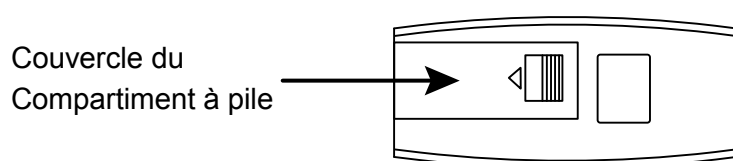
BOUTON AUGMENTATION/DIMINUTION

Avec le chauffage en marche, appuyez sur le bouton Augmentation/Diminution pour modifier la température à celle désirée. Il y a 11 réglages de température:

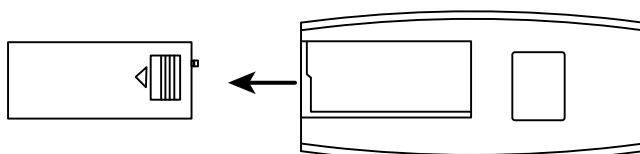
72°F -74°F -76°F -78°F -80°F -82°F -ON-64°F ---72°F (22°C -23°C -24°C -25°C -26°C -27°C -MARCHÉ -18°C ---22°C).

REPLACEMENT DES PILES

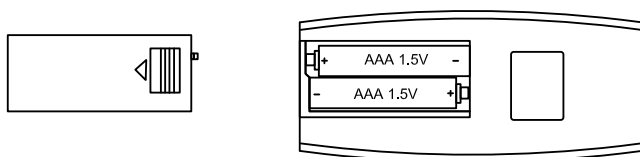
1. Retournez la télécommande à l'envers, et repérez le couvercle du compartiment de la pile.



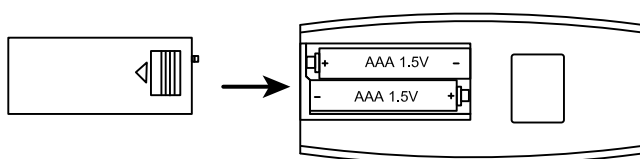
2. Enlevez le couvercle du compartiment à pile en le faisant glisser vers le bas de la télécommande.



3. Insérez deux piles AAA dans le compartiment à piles, la pile a deux poles (positif et négatif), le côté plat est le pôle négatif, assurez-vous que les piles sont insérées fermement dans la télécommande.



4. Réinstallez le couvercle du compartiment à piles, en vous assurant qu'il s'enclenche en place.



NOTE: Ne pas utiliser des piles neuves avec des piles usagées ensemble!

NOTE: La télécommande est destinée uniquement à l'exploitation fonctionnelle du produit. Elle ne peut pas verrouiller/déverrouiller la fonction de chauffette!

GARANTIE LIMITÉE D'UN (1) AN

FOYER ÉLECTRIQUE GARANTIE DE BASE

Notre foyer électrique est exempt de défauts de matériaux et de fabrication pour une période d'un an à compter de la date d'achat, sous réserve des conditions et limitations suivantes.

1. Ce foyer électrique doit être installé et fonctionner en tout temps conformément aux instructions fournies avec le produit. Toute altération, abus volontaire, accident ou mauvais usage du produit annulera cette garantie.
2. Cette garantie n'est pas transférable et est faite au propriétaire d'origine, à condition que l'achat a été effectué par l'intermédiaire d'un fournisseur agréé du fabricant.
3. Cette garantie est limitée à la réparation ou au remplacement de la pièce qui comporte un défaut de matériel ou de fabrication, à condition que cette pièce ait été soumise à des conditions normales d'utilisation et de service, après que ledit défaut soit confirmé par l'inspection du fabricant.
4. Le fabricant peut, à sa discrétion, assumer pleinement toutes ses obligations à l'égard de cette garantie en remboursant le prix de gros de la pièce défectueuse.
5. Toute installation, travail, construction, transport ou autres frais connexes/dépenses découlant de pièce(s) défectueuse(s), réparation, remplacement, ou sinon de même, ne sont pas couverts par cette garantie, ni que le fabricant assume la responsabilité de même.
6. Le propriétaire/utilisateur assume tous les autres risques, le cas échéant, incluant les risque de toute perte directe ou indirecte ou dommage résultant de l'utilisation, ou de l'impossibilité d'utiliser le produit, sauf tel que prévu par la loi.
7. Toutes les autres garanties - expresses ou implicites - en ce qui a trait au produit, ses composants et accessoires, ou toutes les obligations ou responsabilités de la part du fabricant sont expressément exclues.
8. La Compagnie n'assume, ni autorise un tiers à assumer, en son nom, toutes autres responsabilités à l'égard de la vente de notre produit.
9. Les garanties décrites dans le présent document ne s'appliquent pas aux accessoires non autorisés par le fabricant en conjonction avec l'installation de ce produit. Cette garantie est nulle si:
 - a. Le foyer est soumis à de longues périodes d'humidité ou de condensation.
 - b. toute modification non autorisée, abus volontaire, accident ou mauvais usage du produit.
 - c. Vous n'avez pas le reçu d'achat original.

SI UN SERVICE SOUS GARANTIE EST REQUIS

Appelez le 1-800-489-3351 ou visitez notre site web: www.altrafurniture.com.

Assurez-vous d'avoir le reçu de vente, le lieu d'achat et le numéro de modèle/série de votre produit.

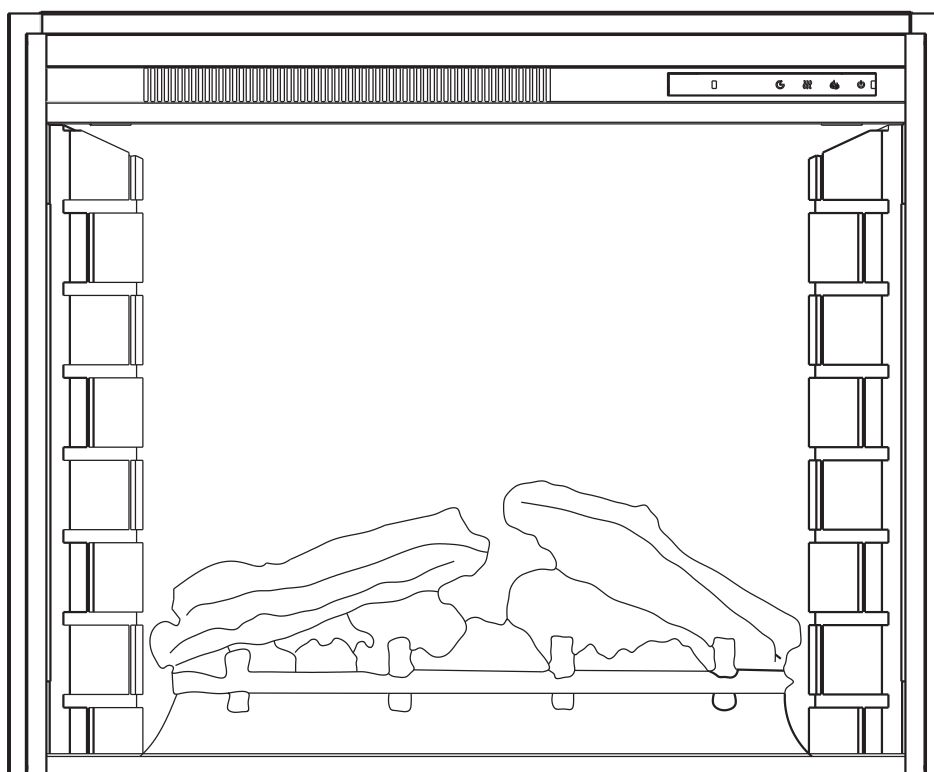
Fabriqué en Chine

Imprimé en Chine



CHIMENEA ELÉCTRICA

MANUAL OPERATIVO PARA PROPIETARIOS DE CHIMENEA



Gracias

Gracias y felicitaciones por su compra de nuestra chimenea. Por favor lea cuidadosamente las instrucciones antes de usar este aparato.



- FA23V60
- FA23V60L
- FA26V60
- FA26V60A
- FA26V60L
- FA30V60

MODELOS:

INFORMACIÓN DE SEGURIDAD AL CONSUMIDOR: POR FAVOR LEA ESTE MANUAL ANTES DE INSTALAR Y OPERAR ESTE APARATO. LA INOBSERVANCIA DE LAS INSTRUCCIONES PODRÍA RESULTAR EN DESCARGA ELÉCTRICA, INCENDIO, O LESIONES Y ANULARÁ LA GARANTÍA.

ADVERTENCIA: SI NO SIGUE LA INFORMACIÓN EN EL MANUAL, UNA DESCARGA ELÉCTRICA O UN INCENDIO PUEDE RESULTAR EN DAÑO DEL PRODUCTO, LESIONES PERSONALES O MUERTE.

INSTRUCCIONES IMPORTANTES

Cuando se usen aparatos eléctricos, siempre deberán observarse las precauciones básicas para reducir el riesgo de incendio, descarga eléctrica o lesiones, incluyendo los siguientes:

1. Lea todas las instrucciones antes de usar este calefactor.
2. Este calentador está caliente cuando se encuentra en uso. Para evitar quemaduras, no permita que la piel al descubierto toque las superficies calientes. Si se proporcionan, utilice manijas para mover este electrodoméstico.
PELIGRO: Las altas temperaturas se pueden generar bajo ciertas condiciones anormales. No cubra ni obstruya el frente del calefactor.
ADVERTENCIA: Para evitar sobrecalentamiento, no cubra el calefactor. El calefactor no puede utilizarse en un armario.
3. **PRECAUCIÓN:** El aparato no debe utilizarse por niños o personas débiles con capacidades físicas, sensoriales o mentales reducidas.
4. Advierta a los niños de que no jueguen con este calefactor.
5. Siempre desenchufe este electrodoméstico cuando no se encuentre en Uso.
6. No opere ningún calefactor con un cable o enchufe dañado, después de que el aparato haya fallado o si se cae al suelo o se daña de cualquier manera.
7. Si el cable está dañado, se debe reemplazarse por el fabricante, agente de servicio o personas calificadas con el fin de evitar situaciones de peligro.
8. Sólo el servicio técnico autorizado y capacitado deberá reparar este Electrodoméstico.
9. Bajo ninguna circunstancia debería modificarse esta chimenea. Piezas que necesitan quitarse deben ser reemplazadas antes de operar esta chimenea otra vez.
10. No se utilice al aire libre.
11. Este electrodoméstico no está diseñado para su uso en baños, lavaderos u otros lugares similares. Nunca coloque este electrodoméstico en donde pueda caer a una bañera u otro recipiente con agua.
12. No pase el cable de alimentación por debajo de alfombrado. No cubra el cable de alimentación con artículos tales como tapetes o alfombras de pasillo, entre otros. Mantenga el cable de alimentación lejos de áreas de circulación para asegurarse de que no estorbe.
13. Para desconectar el calefactor, ponga los controles en OFF y luego quite el enchufe de la toma de corriente.
14. Conecte sólo a tomas de corriente correctamente conectadas a tierra.
15. Este electrodoméstico, una vez instalado, debe de estar conectado a tierra conforme a los códigos locales, bajo los códigos actuales CSA C22.1 de Electricidad Canadiense, o, para instalaciones en E.U.A. siga los códigos locales y el Código Eléctrico Nacional, ANSI/NFPA no. 70.
16. Hay un termostato limitador dentro del calefactor. Cuando la temperatura interior se sobrecalienta o en el caso de un calentamiento anormal, el dispositivo protector del termostato cortará la alimentación para evitar el daño al calefactor y el riesgo de incendio.
17. Los calefactores no deben estar colocados inmediatamente bajo un enchufe.
18. No introduzca ni permita que objetos extraños entren en las aberturas de ventilación o de escape, ya que esto puede causar una descarga eléctrica o un incendio, o daños a la chimenea.
19. Para evitar un posible incendio, no bloquee las entradas de aire de la chimenea o del escape de ninguna manera. No opere la chimenea sobre superficies blandas, como lo es una cama, en donde las aberturas puedan ser bloqueadas.
20. Este electrodoméstico contiene partes calientes y arqueadas o chispeantes en su interior. No se utilice en áreas en donde se use o almacene gasolina, pintura o líquidos inflamables. Este electrodoméstico no

debe ser utilizado como tendedero para la ropa, ni tampoco debe haber medias de Navidad o decoraciones colgadas sobre o cerca de él.

21. Utilice este aparato sólo tal y como se describe en este manual. Cualquier otro uso no recomendado por el fabricante podría resultar en un incendio, una descarga eléctrica o daños personales.

22. Siempre conecte los calentadores directamente a una toma de corriente/receptáculo. Nunca se utilice con un cable de extensión o con una fuente de alimentación móvil (toma de corriente/regleta).

23. Este producto contiene una batería de botón. Si se ingiere, puede causar lesiones graves o la muerte en tan sólo 2 horas. Busque atención médica de inmediato.

GUARDE BIEN ESTAS INSTRUCCIONES

INSTRUCCIONES DE INSTALACIÓN

Coloque la repisa cerca de su ubicación final. Asegúrese de que se puede acceder a la parte posterior de la repisa como su chimenea eléctrica se instalará desde atrás.

Usando un destornillador Phillips, retire los tornillos y el metal que soporta la apertura central. Siguiendo desembale la chimenea eléctrica cuidadosamente.

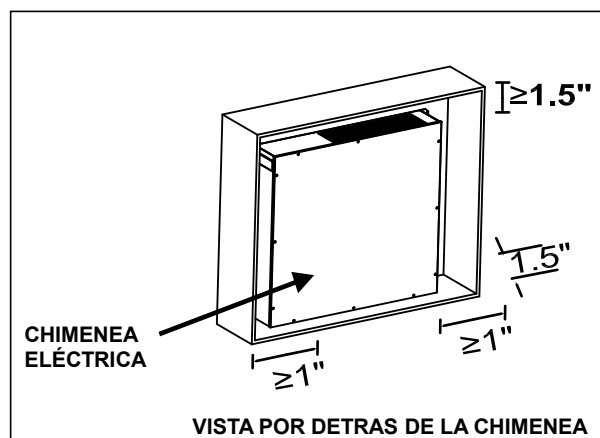
Coloque el aparato detrás de la chimenea con el frente hacia la repisa de madera. Con la ayuda de un adulto, levante el aparato y deslícelo gradualmente en la apertura de la repisa. Asegúrese de que el aparato se centra en la apertura. Tenga cuidado al colocar y ajustar el aparato, la parte inferior del aparato podría rayar el acabado de la base/estufa de su chimenea. Vuelva a adjuntar los soportes de montaje con el destornillador Phillips y tornillos suministrados.

No apriete demasiado. Con la ayuda de un asistente, levante cuidadosamente la unidad y colóquela con el

frente hacia el exterior en la ubicación deseada. Asegúrese de conseguir el cable eléctrico antes de levantar o mover la chimenea. Al elegir una ubicación final, asegúrese de que la unidad tendrá acceso a un enchufe eléctrico conectado a tierra.

Lea y siga todas las instrucciones en el manual antes de operar su nueva chimenea.

Figura 2

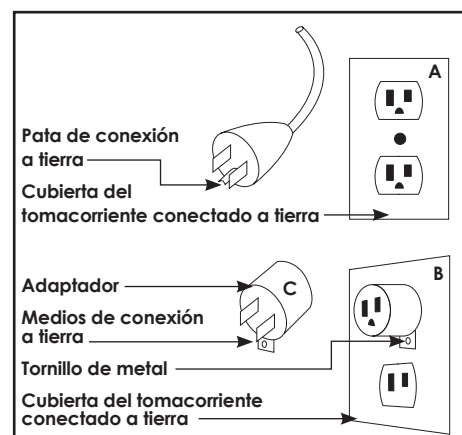


INSTRUCCIONES SOBRE LE CONEXIÓN A TIERRA

Este calentador se debe usar con 120 voltios. El cable tiene un enchufe como se muestra en la imagen 1A en el diagrama. Hay un adaptador disponible como el que se muestra en 1C para conectar enchufes de tres patas con conexión a tierra en tomas de corriente con dos ranuras. La lengüeta de puesta a tierra de color verde que se desprende del adaptador debe estar conectada a una conexión a tierra permanente, como por ejemplo, una caja de toma de corriente que tenga una conexión a tierra adecuada. No deberá usar este Adaptador cuando haya un toma que permita conectar enchufes con tres patas.

Nota: utilice el adaptador de conexión a tierra prohibida en Canadá

Figura 1





Recomendación de instalación en clima frío: al instalar esta unidad contra una pared o roza exterior sin aislamiento, es obligatorio que las paredes exteriores deben ser aisladas de acuerdo a los códigos aplicables de aislamiento.

ESPECIFICACIONES ELÉCTRICAS

Voltaje: 120VAC 60Hz
Vatios: 1400 Watts

CONEXIÓN ELÉCTRICA

La unidad viene standard con un cable de 6 pies (1.8m) de tres conductores, saliendo desde la parte trasero de la chimenea. Arregle la instalación para evitar el uso de un cable de extensión.

LIMPIEZA DE LAS MOLDURAS

Limpie las molduras metálicas utilizando un paño suave, ligeramente humedecido con producto basado en aceite de cítrica y pulimente con un paño limpio y suave. No utilice pulidor de latón o limpiadores domésticos como estos productos pueden dañar las molduras metálicas. Productos basados en aceite de cítrica se pueden obtener en los supermercados o tiendas de hardware.

MANTENIMIENTO

Los motores utilizados en el ventilador y generador de la llama son pre-lubricados para una vida extendido sin lubricación adicional. Sin embargo, la periódica limpieza/aspirado del ventilador/calefactor es recomendado. Asegúrese de que la unidad está apagada y desconectada antes de limpiarla.



ADVERTENCIA: Asegúrese de que la energía está apagada antes de proceder. Cualquier reparación eléctrica o recableado de esta unidad debe ser realizado por un electricista con licencia en conformidad con códigos nacionales y locales. Durante la reparación, el reemplazo de componentes eléctricos, o el cableado, el enrutamiento original de cable, codificación de colores y lugares de fijación deben ser seguidos.



ADVERTENCIA: El cableado de enchufes eléctricos debe cumplir con los códigos locales de construcción y otros reglamentos aplicables para reducir el riesgo de incendio, descarga eléctrica y lesiones a las personas.



ADVERTENCIA: No use esta chimenea si cualquier parte de ella ha sido bajo el agua. Llame inmediatamente a un técnico cualificado de servicio para inspeccionar la chimenea y reemplazar cualquier parte del sistema eléctrico.



ADVERTENCIA: Desconecte la chimenea antes de intentar cualquier mantenimiento o limpieza para reducir el riesgo de incendio, descarga eléctrica o lesiones personales.



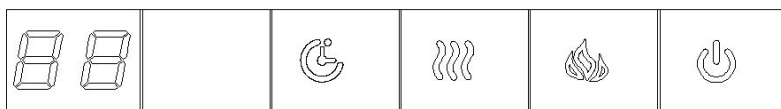
ADVERTENCIA: Durante cualquier servicio de este aparato, asegúrese de que la unidad esté apagada, recuerde siempre desconectar la toma de pared.

INSTRUCCIONES DE OPERACIÓN

ACCESO AL PANEL DE CONTROL

Panel de control se puede acceder en la esquina superior derecha del aparato.

INSTRUCCIONES DE OPERACIÓN SIN CONTROL REMOTO



POWER

El botón de POWER enciende o apaga el aparato. Tiene una función de memoria; el botón apaga todas las funciones a la vez, pero conserva la configuración en la memoria. Pulsando el botón de nuevo, la unidad se enciende en la misma configuración. Una vez que el TEMPORIZADOR se ha seleccionado y el tiempo se ha acabado, todas las funciones se cerrarán. Pulse el botón de POWER para iniciar el aparato.

LLAMA

El interruptor de LLAMA arregla el brillo de las llamas. Hay 4 formas de ajustar la intensidad y una posición de apagado. Cada vez que el botón de LLAMA se pulsa, la intensidad de las llamas disminuye. Cuando ajuste el botón de LLAMA, un número que indica el brillo de las llamas aparece en la pantalla digital. Después de prender la pantalla digital, si no pasa nada dentro de 10 segundos, la pantalla digital va a apagar. Hay una luz inferior en las brasas. Cuando el botón de LLAMA esté en la posición ON, la luz se enciende, y se apaga en la posición OFF.

La botón de LLAMA tiene la función de bloqueo. Pulse y mantenga pulsado el botón de LLAMA por 5 segundos. La luz se apaga y las brasas se destellan 6 veces para confirmar la función de llama está bloqueada. Cuando quiere desbloquear la función de llama, pulse y mantenga pulsado la botón LLAMA por 5 segundos, las brasas se destellan 6 veces, entonces tanto la luz de llama como la luz inferior se mantienen estados originales.

CALEFACTOR

El botón de CALEFACTOR enciende o apaga el calefactor. Cuando en la posición ON, pulse y mantenga pulsado el botón de CALEFACTOR por 5 segundos para entrar en el modo de ajuste de la temperatura. En el modo de ajuste, la pantalla digital destellará en 0.5 segundos intervalos. Hay 11 ajustes de temperatura: 72 °F - 74 °F - 76 °F - 78 °F - 80 °F - 82 °F - ON - 64 °F - - - 72 °F (22 °C - 23 °C - 24 °C - 25 °C - 26 °C - 27 °C - ON - 18 °C - - - 22 °C). Después de que la temperatura ha sido seleccionado, la pantalla digital se destellará 5 veces y se saldrá del modo. Después de encender la pantalla digital de temperatura, si nada pasara dentro de 10 segundos, la pantalla digital se apagará.

La función del cambio de temperatura: cuando el calefactor está en la posición ON, pulse y mantenga pulsado el botón de POWER por 5 segundos, la muestra de la temperatura actual se destellará 3 veces y se convertirá a otra selección de temperatura.

La función de bloquear y desbloquear el calefactor: pulse y mantenga pulsado el botón por 10 segundos, las brasas se destellarán 6 veces, lo que indica que la función de calefactor está cerrada. Para desbloquear la función de calefactor, pulse y mantenga pulsado el botón CALEFACTOR por 10 segundos de nuevo, entonces las brasas también se destellarán 6 veces, indicando la función de calefactor está desbloqueado a recuperar el estado original que has seleccionado.

TEMPORIZADOR

El TEMPORIZADOR tiene configuraciones ajustables entre 30 minutos a 6 horas y una posición OFF, como se muestra en el siguiente: 30 minutos-1h-2h-3h-4h-5h-6h-OFF. Si la pantalla digital se enciende y no pasa nada dentro de 10 segundos, la pantalla digital se apagará automáticamente. Una vez que el temporizador se ha seleccionado y el tiempo se ha acabado, las brasas se destellarán 6 veces, todas las funciones se cerrarán, y se entrará al modo de espera. En este modo, usted debe tocar el botón de POWER para reiniciar el aparato.

INSTRUCCIONES DE OPERACIÓN CON CONTROL REMOTO

POWER

El botón de POWER enciende o apaga el aparato. Tiene una función de memoria. Presione el botón para encenderlo. Pulse el botón de nuevo para apagarlo.

LLAMA

El botón de LLAMA arregla el brillo de las llamas. Cada vez que el botón de LLAMA se pulsa, la intensidad de las llamas disminuye. Hay 4 niveles de brillo y una posición OFF. Cuando ajuste el botón de LLAMA, un número que indica el brillo de las llamas será visible en la pantalla digital. El botón de LLAMA no tiene una función de bloqueo o desbloqueo de las llamas.



CALEFACTOR

El botón de CALEFACTOR enciende o apaga el calefactor. Al pulsar el botón de CALEFACTOR en el control remoto, la temperatura por defecto es de 82 °F (22 °C). El botón de CALEFACTOR no tiene la función de bloqueo o desbloqueo del calefactor.

TEMPORIZADOR

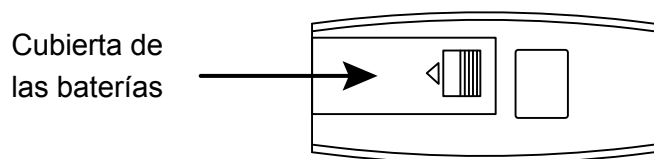
El botón de TEMPORIZADOR en el control remoto tiene la misma función que el botón de TEMPORIZADOR en el panel de control. Se puede seleccionar el temporizador entre 30mins-1h-2h-3h-4h-5h-6h. Esta selección aparece en la pantalla digital.

BOTÓN AUMENTAR/DISMINUIR

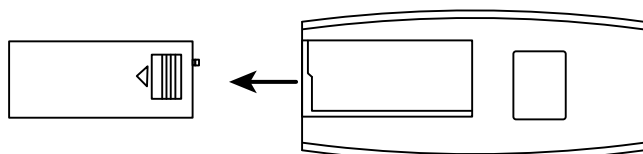
Con el calentador encendido, presione el botón Aumentar o Disminuir para cambiar la temperatura. Hay 11 opciones de temperatura: 72°F -74°F -76°F -78°F -80°F -82°F - Encendido -64°F ---72°F (22°C-23°C-24°C-25°C -26°C-27°C- Encendido -18°C---22°C).

REEMPLAZO DE BATERÍAS

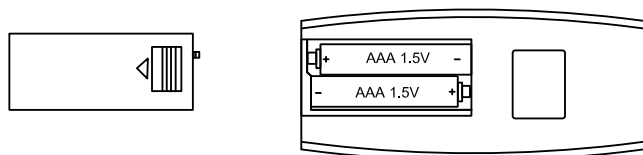
1. Gire el control remoto, y ubique la cubierta de las baterías.



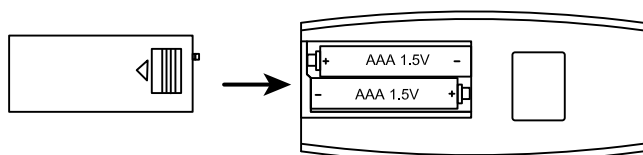
2. Quite la cubierta de batería deslizándola hacia el extremo inferior del control remoto.



3. Inserte dos pilas AAA. Las baterías tienen dos polos (uno positivo y otro negativo), el lado plano es el polo negativo, asegúrese de que las baterías están firmemente asentados en el control remoto.



4. Vuelva a instalar la cubierta de las baterías, asegúrese de que se encaje en su posición.



Nota: ¡No combine las baterías viejas con las nuevas!

Nota: ¡El control remoto es planeado solo para el funcionamiento del producto, no puede ni bloquear/desbloquear las funciones del calefactor!



GARANTÍA LIMITADA DE UN AÑO

CHIMENEA ELÉCTRICA GARANTÍA BÁSICA

Nuestra chimenea eléctrica esta libre de defectos de material y fabricación por un período de un año a partir de la fecha de compra, sujeto a las siguientes condiciones y limitaciones.

1. Esta chimenea eléctrica debe ser instalada y operada en todo momento de acuerdo con las instrucciones proporcionadas con el producto. Cualquier alteración, abuso intencionado, accidente o mal uso del producto anulará esta garantía.
2. Esta garantía es intransferible y es hecha al propietario original, siempre que la compra fue hecha mediante un proveedor autorizado del fabricante.
3. Esta garantía está limitada a la reparación o reemplazo de pieza(s) que se encuentren defectuosas en materiales o mano de obra, siempre que tal(es) pieza(s) hayan estado sujetas a condiciones normales de uso y servicio, luego de que dicho defecto sea confirmado por la inspección de fabricante.
4. El fabricante puede, a su discreción, liberar de todas las obligaciones, con respecto a esta garantía mediante el reembolso del precio al por mayor de la(s) pieza(s) defectuosa(s).
5. Cualquier instalación, trabajo, construcción, transporte u otros costos/gastos que surjan de pieza(s) defectuosa(s), reparación, reemplazo u otra cosa similar, no será cubierta por esta garantía y tampoco el fabricante asumirá responsabilidad por lo mismo.
6. El propietario/usuario asume todos otros riesgos, si alguno, incluyendo el riesgo de cualquier pérdida o daño directa, indirecta o consecuente como resultado del uso o mal uso del producto, salvo lo dispuesto por la ley.
7. Todas las otras garantías, expresas o implícitas, con respecto al producto, sus componentes y accesorios, o cualquier obligación/responsabilidad civil sobre la pieza del fabricante, por la presente se excluyen expresamente.
8. La empresa no asume, ni autoriza a ningún tercero a asumir, en su nombre, cualquier otros responsabilidades con respecto a la venta de nuestro producto.
9. Las garantías descritas en este documento no se aplican a nuestros accesorios utilizados en conjunción con la instalación de este producto. Esta garantía es nula si:
 - a. La chimenea es sujeta a periodos prolongados de humedad o condensación.
 - b. Cualquier alteración no autorizada, abuso intencional, accidente o mal uso del producto.
 - c. Usted no tiene el recibo original de compra.

SI NECESITA EL SERVICIO DE GARANTÍA

Llama a 1-800-489-3351 o visite nuestro página web: www.altrafurniture.com.

Asegúrese de tener recibo de venta, lugar de compra y el modelo/número de serie de su producto.

Hecho en China
Impreso en China