

Mixed Material

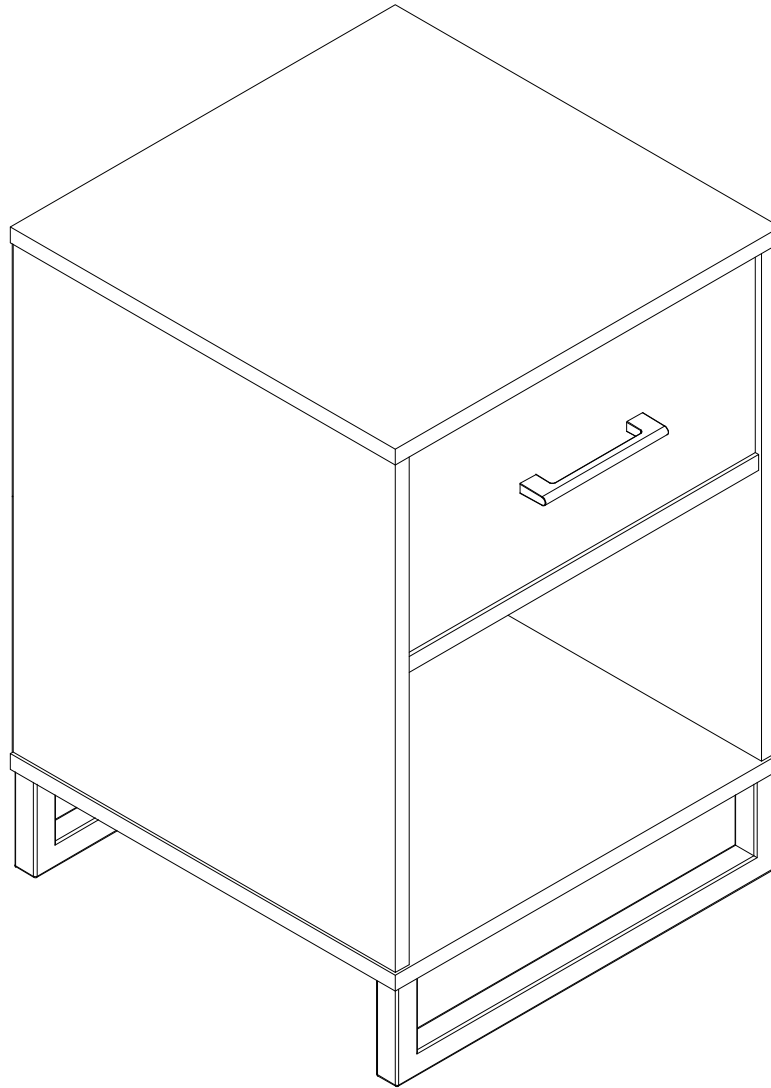
night stand

style # 5948307TR (Gray Oak)

style # 5948348T (Natural Oak)

DPCI # 249-05-0492 (Gray Oak)

DPCI # 249-05-3713 (Natural Oak)



>> assembly instructions

B345948000TR00



Congratulations on your latest Target purchase.

Now what? Don't start sweating over the box of parts. This will be easy. We did the hard work for you. All you need to do is follow our simple instructions and you'll be on your way to transforming your room in no time. Good luck--- though we're confident you won't need it.

before you begin

1. Check for damaged or missing parts. Call 1-855-MYTGTHOME (855-698-4846) to order missing supplies.
2. Use the carton as a working surface to prevent product damage during assembly.
3. Gather all tools prior to assembly. Please do not use power tools.

tools needed

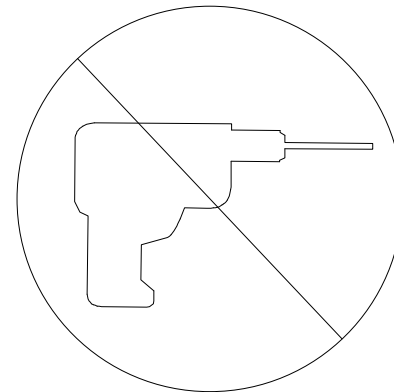
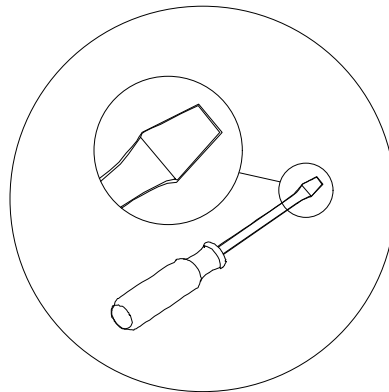
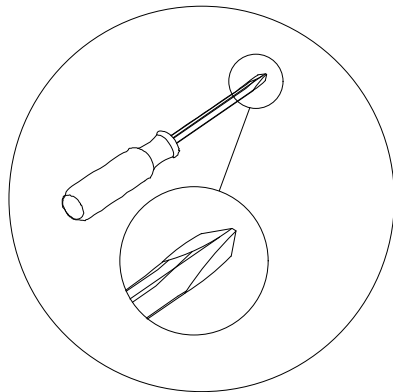
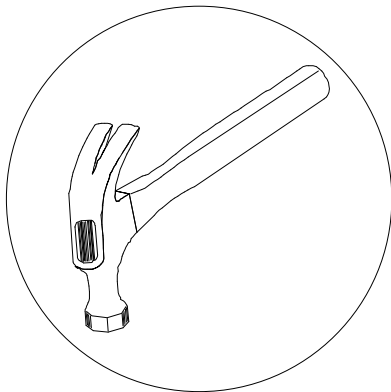


table of contents

introduction	2
hardware	4
parts list	5-6
how to use the cam lock system	7
assembly	8-22

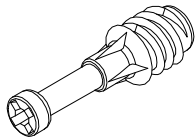
QUESTIONS? Just call 1-855-MYTGTHOME (855-698-4846) for parts and service. For faster service, have the style number and DPCI number ready when calling.

hardware

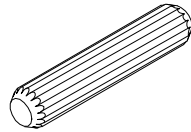
(1) x6
cam lock
#A22620



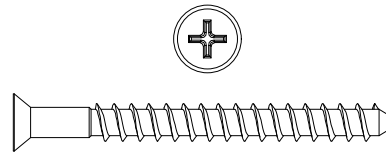
(2) x6
cam bolt
#A22610



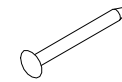
(3) x4
wood dowel
#A21660



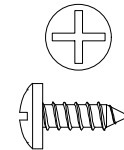
(4) x4
confirmat screw
#A23030



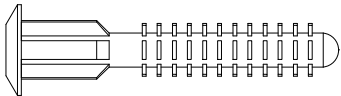
(5) x20
nail
#A21110



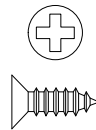
(6) x8
#8x⁷/₁₆" pan head screw
#A12120



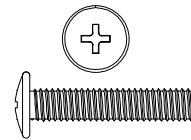
(7) x4
drive fastener
#A21970



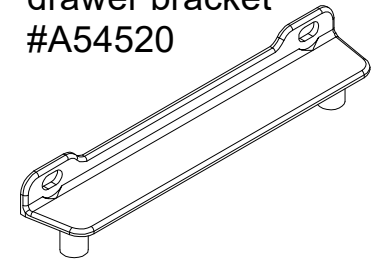
(8) x10
#6x⁷/₁₆" flat head screw
#A11080



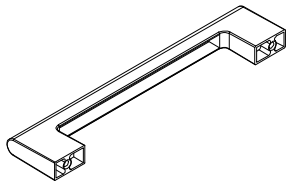
(9) x2
8-32x⁷/₈" bolt
#A17400



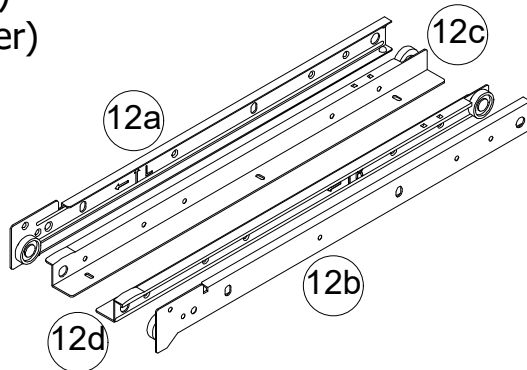
(10) x2
drawer bracket
#A54520



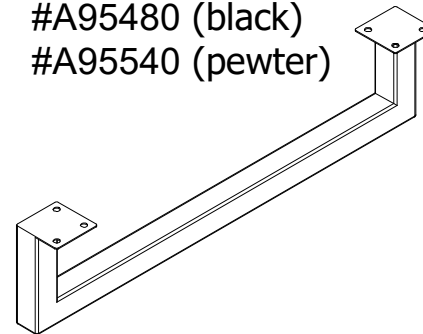
(11) x1
handle
#A50415 (black)
#A50416 (pewter)



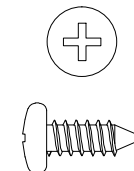
(12) x1
slide set
#A56770



(13) x2
metal leg
#A95480 (black)
#A95540 (pewter)

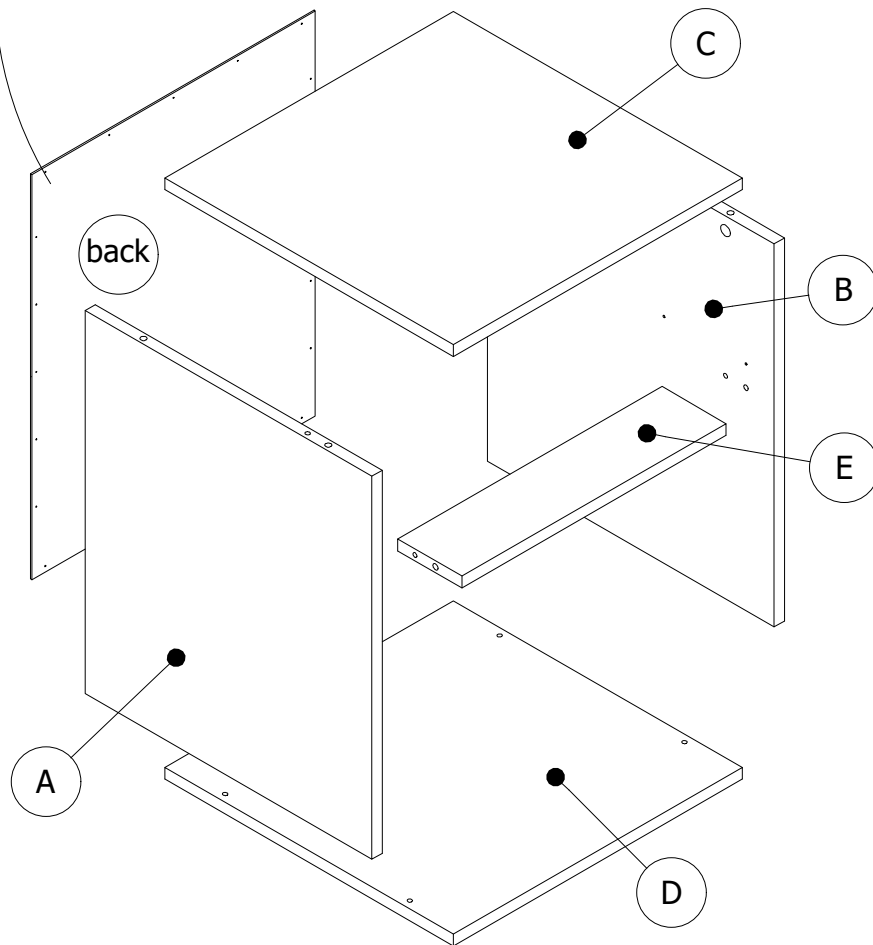


(14) x12
#10x¹/₂" ph pan head screw
#A14220



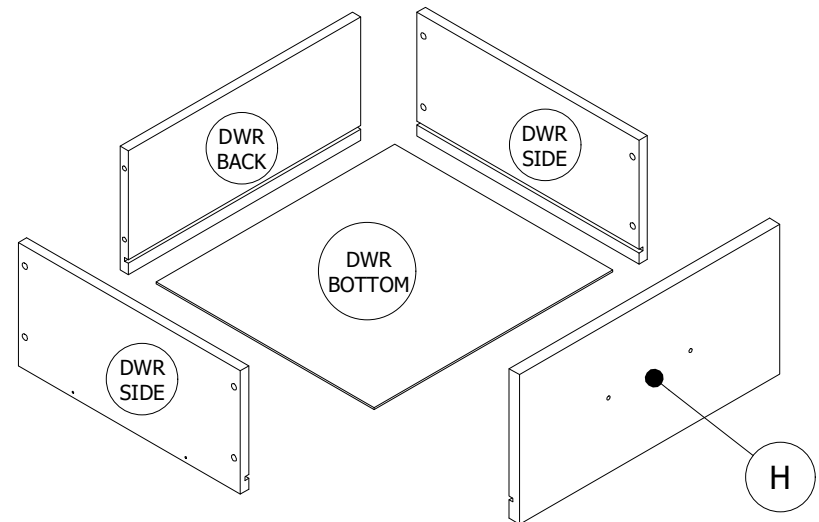
Parts shown are the base cabinet of your model. Please note, most parts are labeled with a sticker or have a letter stamped on a raw edge.

This piece is paperboard construction. It is not made from wood but is required for the assembly of your unit.



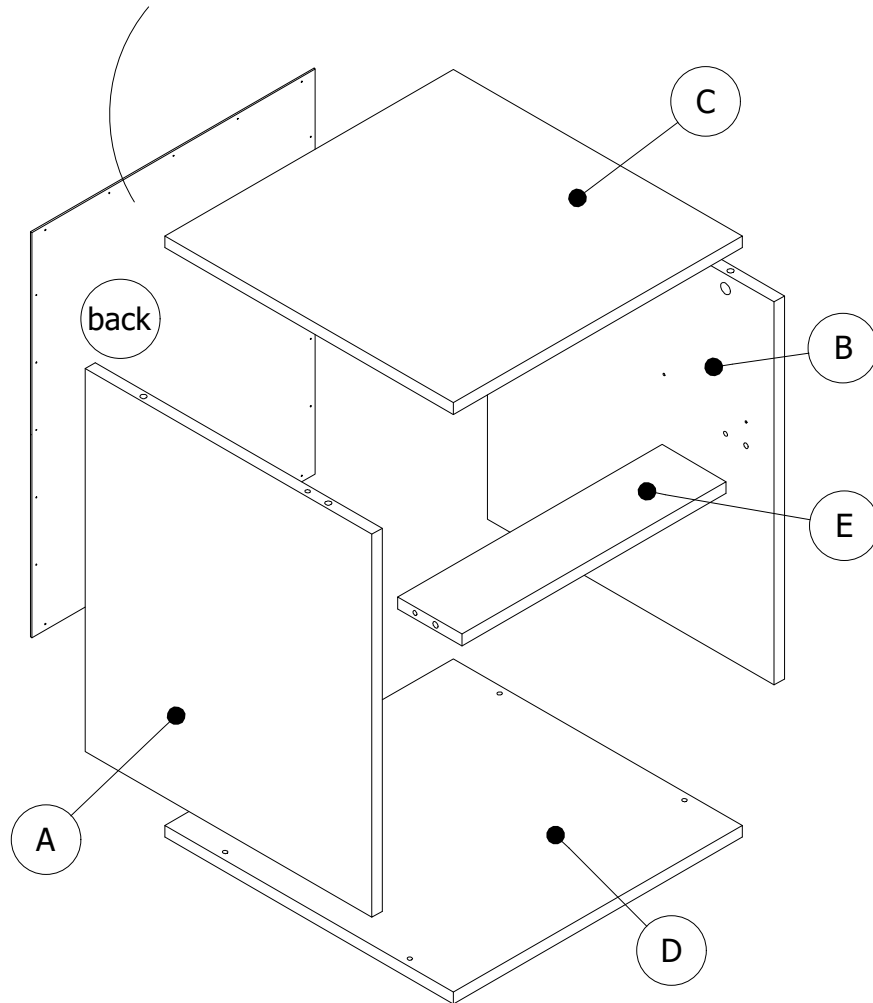
5948307TR (Gray Oak) PARTS LIST

Parts List			
ITEM	QTY	PART NUMBER	DESCRIPTION
A	1	35948307012	LEFT PANEL
B	1	35948307022	RIGHT PANEL
C	1	35948307032	TOP
D	1	35948307041	BOTTOM
E	1	35948307050	STRINGER
H	1	35948307081	DRAWER FRONT
	2	39991167346200C	DRAWER SIDE
	1	39991167036040B	DRAWER BACK
	1	35948331121	DRAWER BOTTOM
	1	K594830701	BACK PANEL



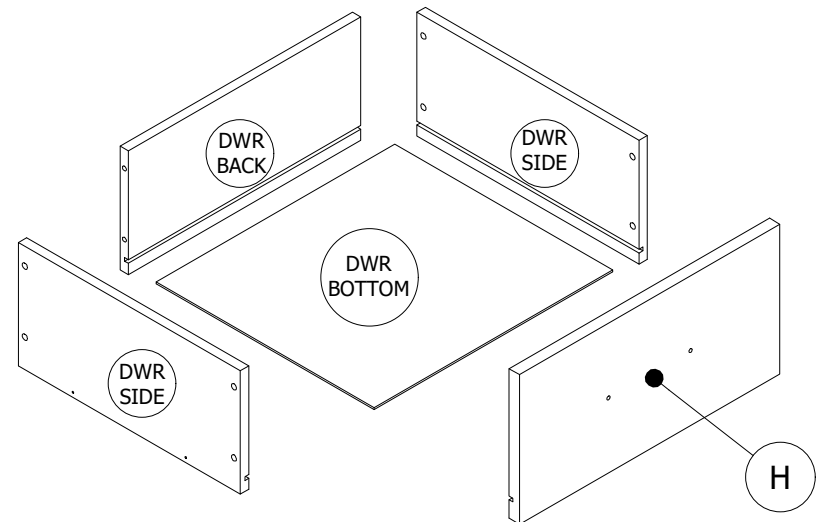
Parts shown are the base cabinet of your model. Please note, most parts are labeled with a sticker or have a letter stamped on a raw edge.

This piece is paperboard construction. It is not made from wood but is required for the assembly of your unit.

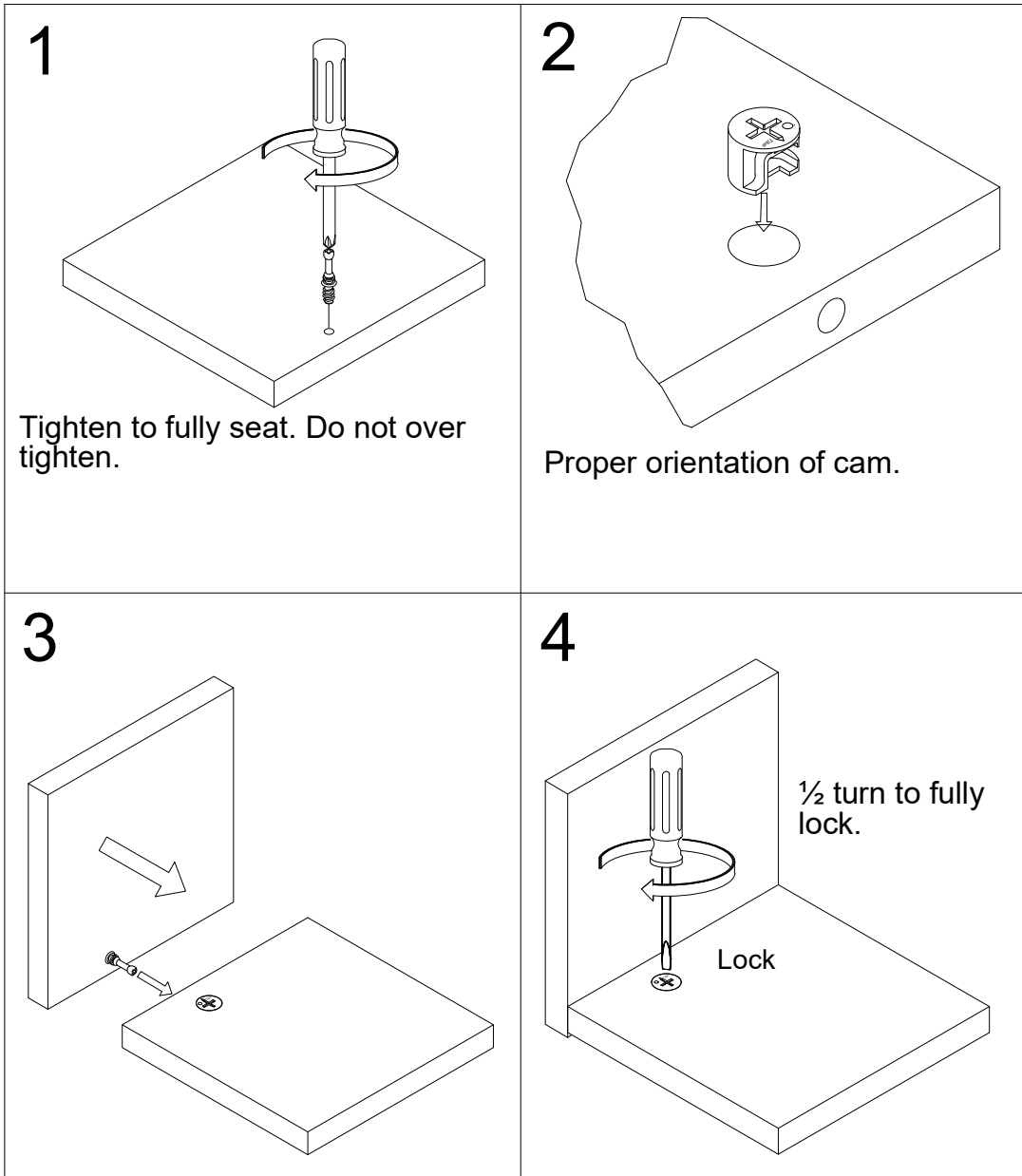


5948348T (Natural Oak) PARTS LIST

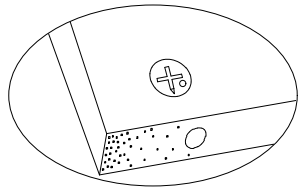
Parts List			
ITEM	QTY	PART NUMBER	DESCRIPTION
A	1	35948348012	LEFT PANEL
B	1	35948348022	RIGHT PANEL
C	1	35948348032	TOP
D	1	35948348041	BOTTOM
E	1	35948348050	STRINGER
H	1	35948348081	DRAWER FRONT
	2	39991167346200C	DRAWER SIDE
	1	39991167036040B	DRAWER BACK
	1	35948331121	DRAWER BOTTOM
	1	K594830701	BACK PANEL



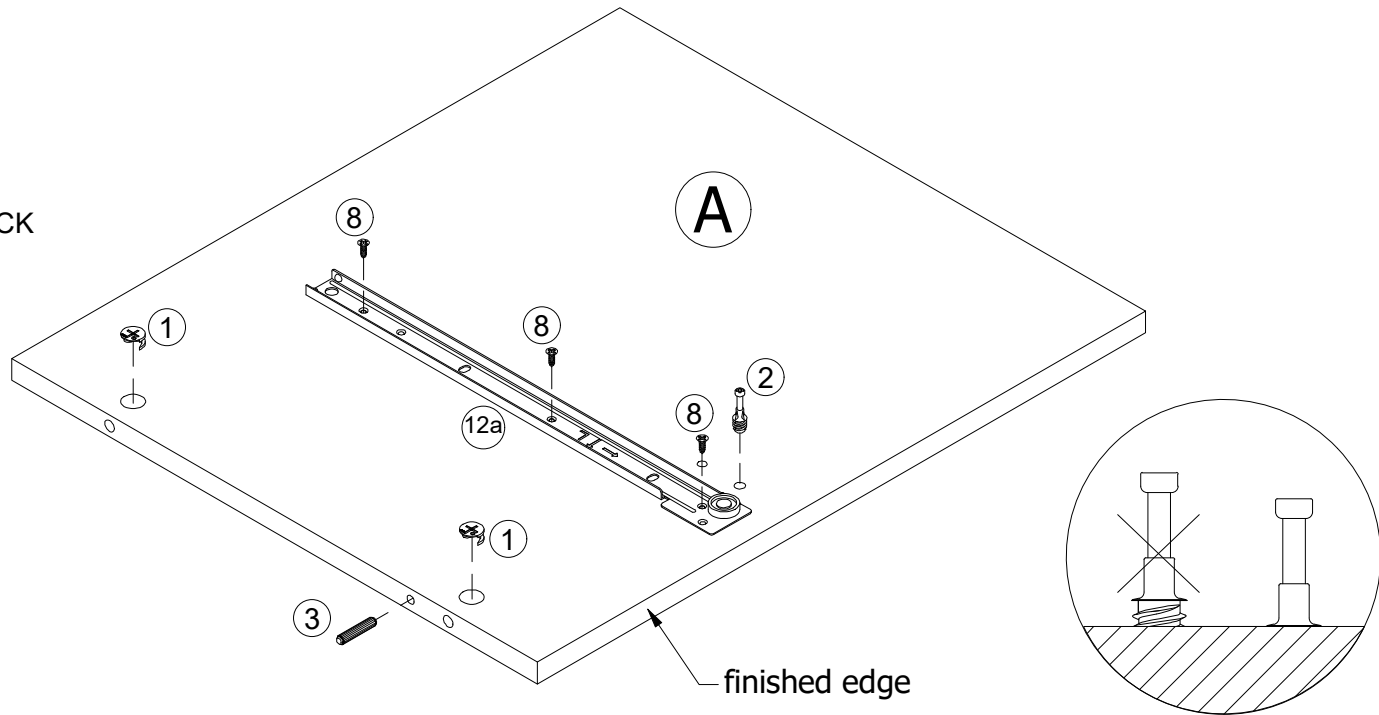
how to use the cam lock system



step 1



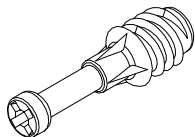
Proper orientation of CAM LOCK



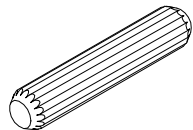
(1) x2
cam lock



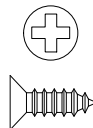
(2) x1
cam bolt



(3) x1
wood dowel



(8) x3
#6x $\frac{7}{16}$ " screw

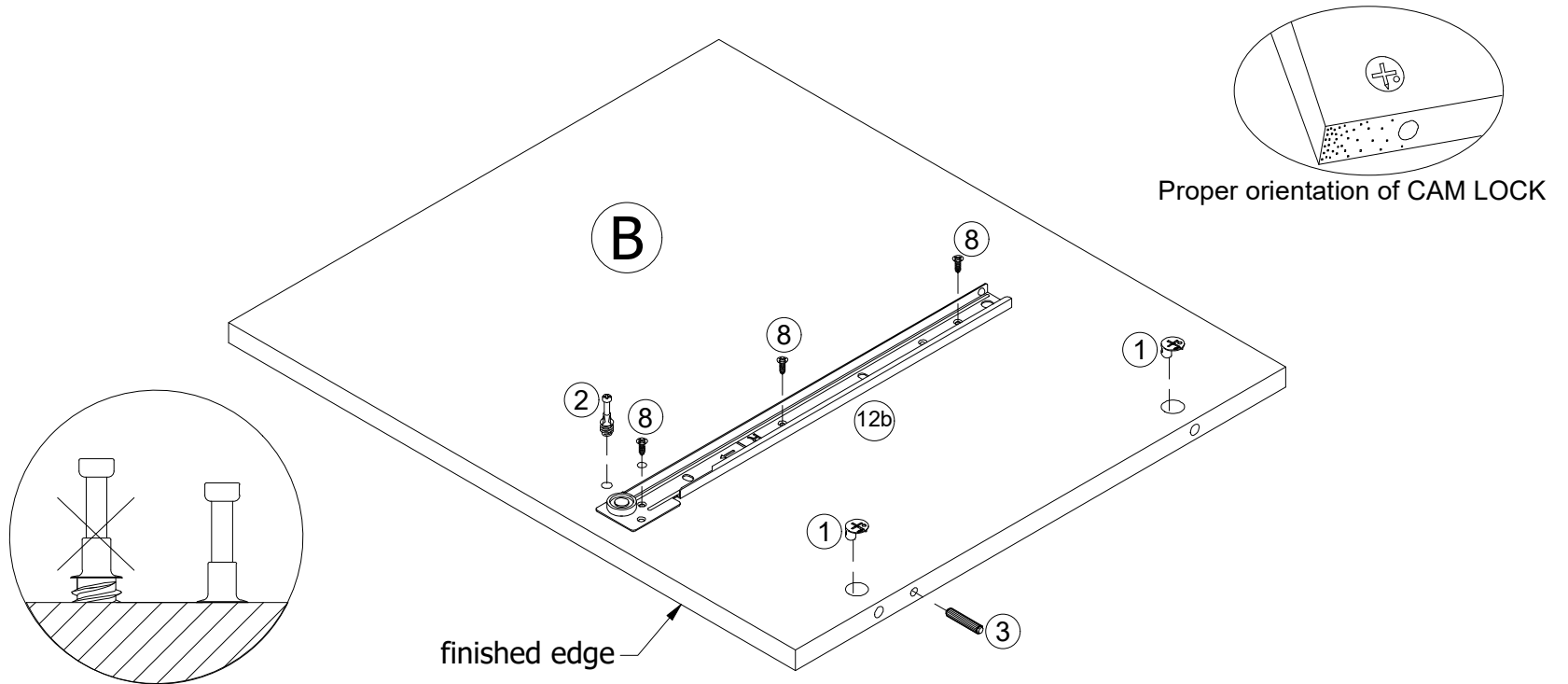


(12) x1
left cabinet slide



1. Screw-in cam bolts must be screwed down flush.
2. Refer to page 7 for instructions on how to use the cam lock system.

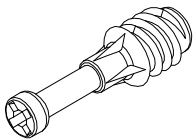
step 2



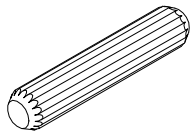
(1) x2
cam lock



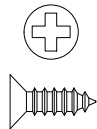
(2) x1
cam bolt



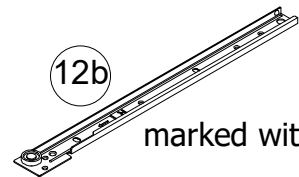
(3) x1
wood dowel



(8) x3
#6x⁷/₁₆" screw

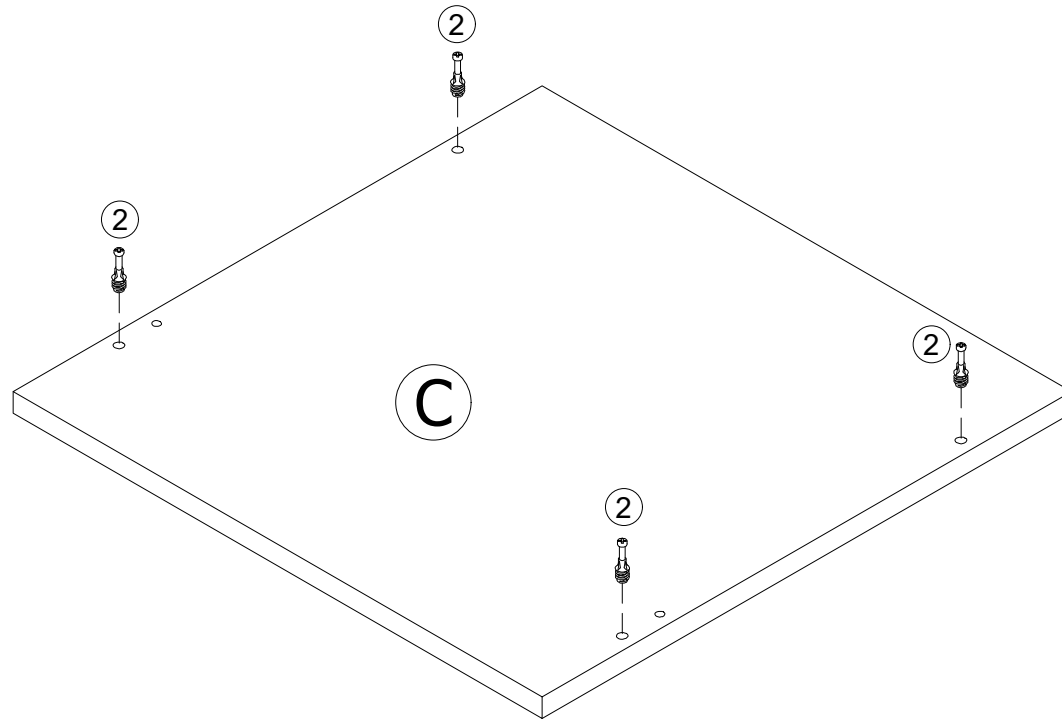
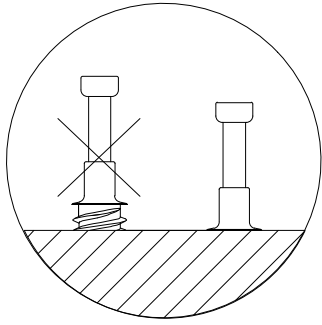


(12) x1
right cabinet slide

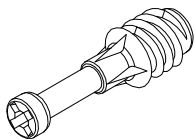


1. Screw-in cam bolts must be screwed down flush.
2. Refer to page 7 for instructions on how to use the cam lock system.

step 3

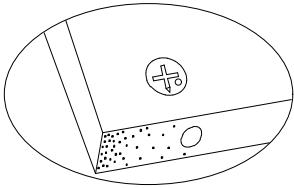


(2) x4
cam bolt

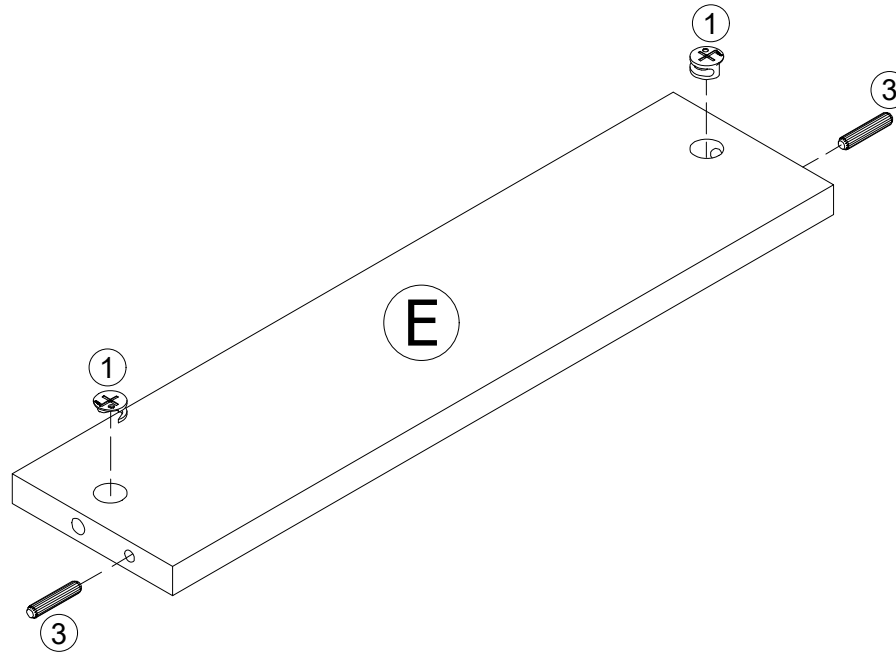


1. Screw-in cam bolts must be screwed down flush.
2. Refer to page 7 for instructions on how to use the cam lock system.

step 4



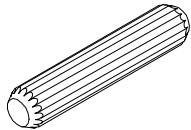
Proper orientation of CAM LOCK



(1) x2
cam lock

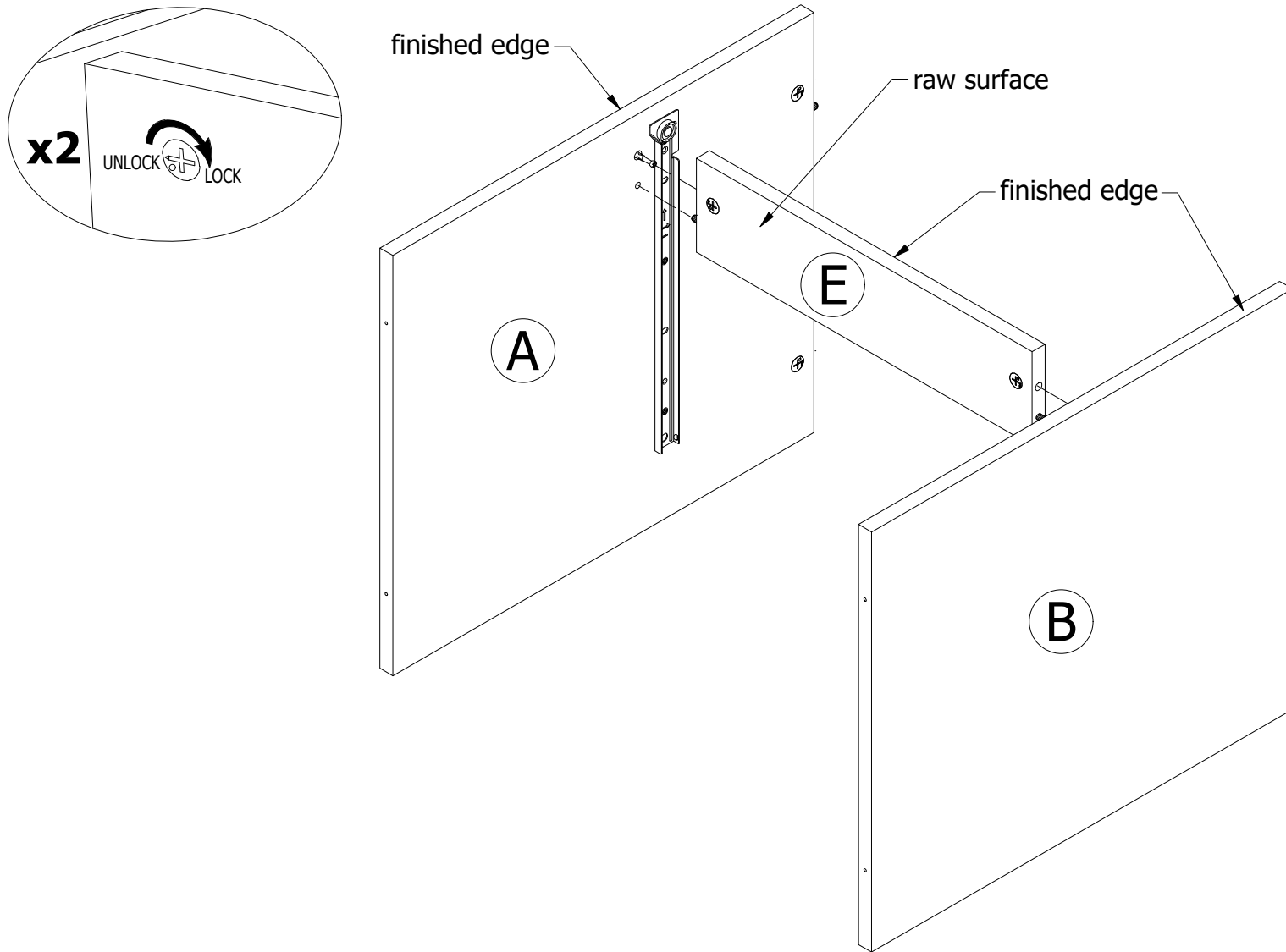


(3) x2
wood dowel



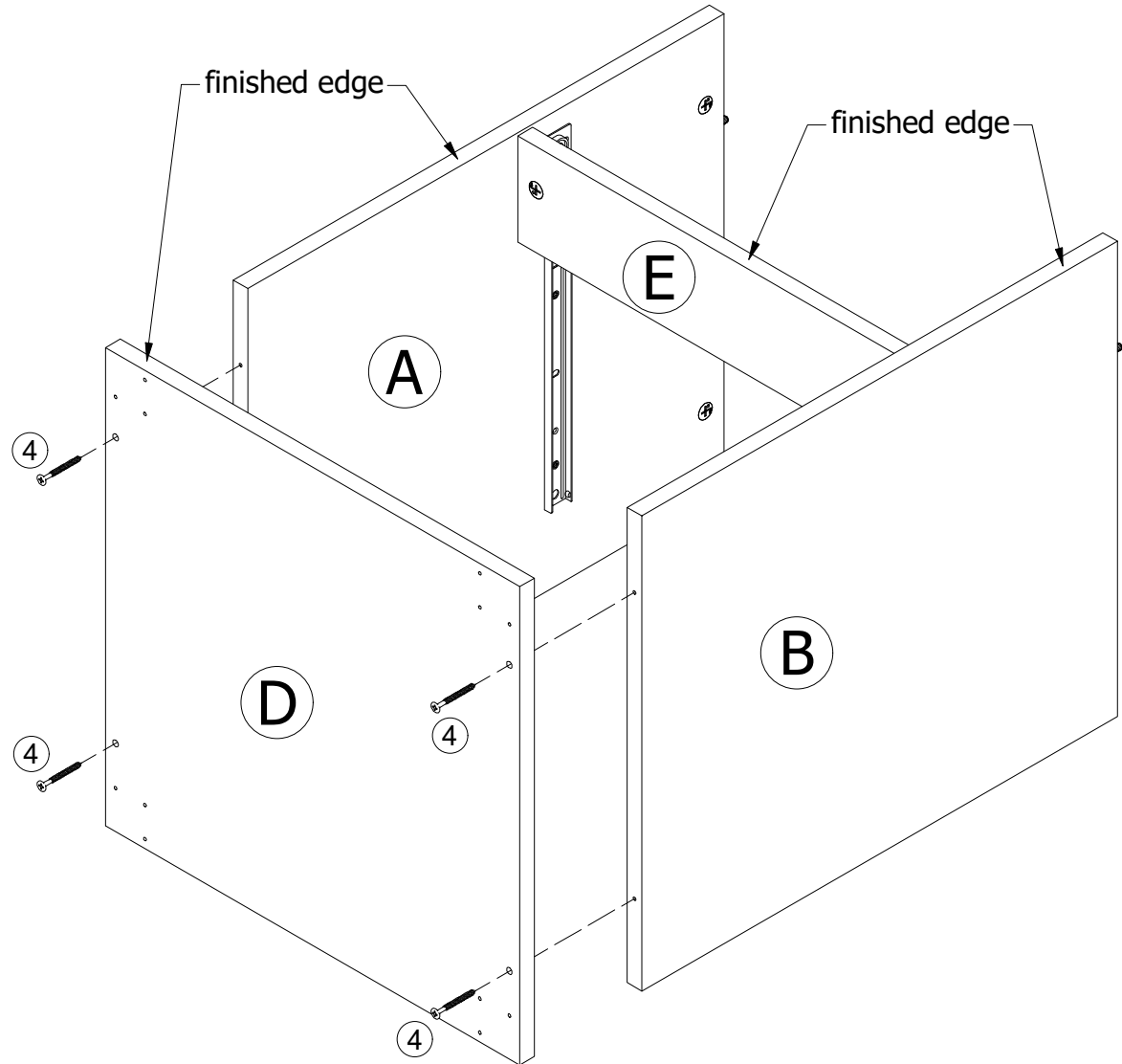
1. Refer to page 7 for instructions on how to use the cam lock system.

step 5

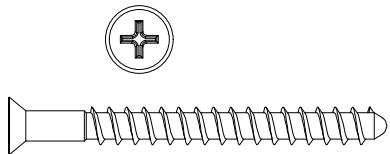


1. Refer to page 7 for instructions on how to use the cam lock system.

step 6

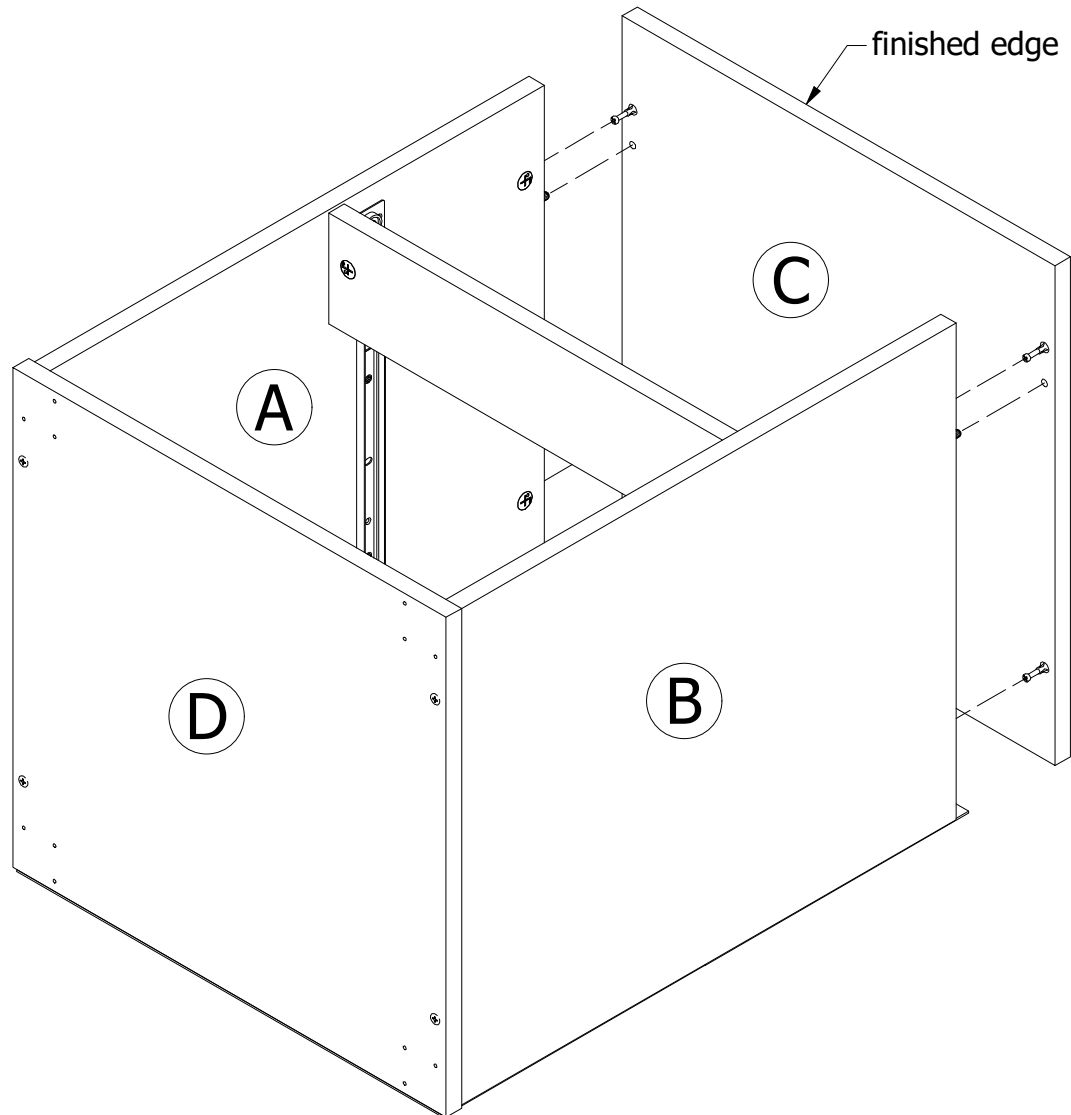
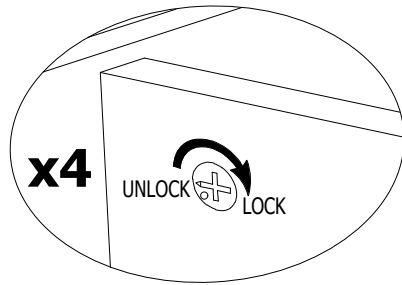


(4) x4
confirmat screw



1. In this step, position the Bottom (D) so that the back edge is flush with back edge of Left Panel (A) / Right Panel (B).

step 7



1. Refer to page 7 for instructions on how to use the cam lock system.

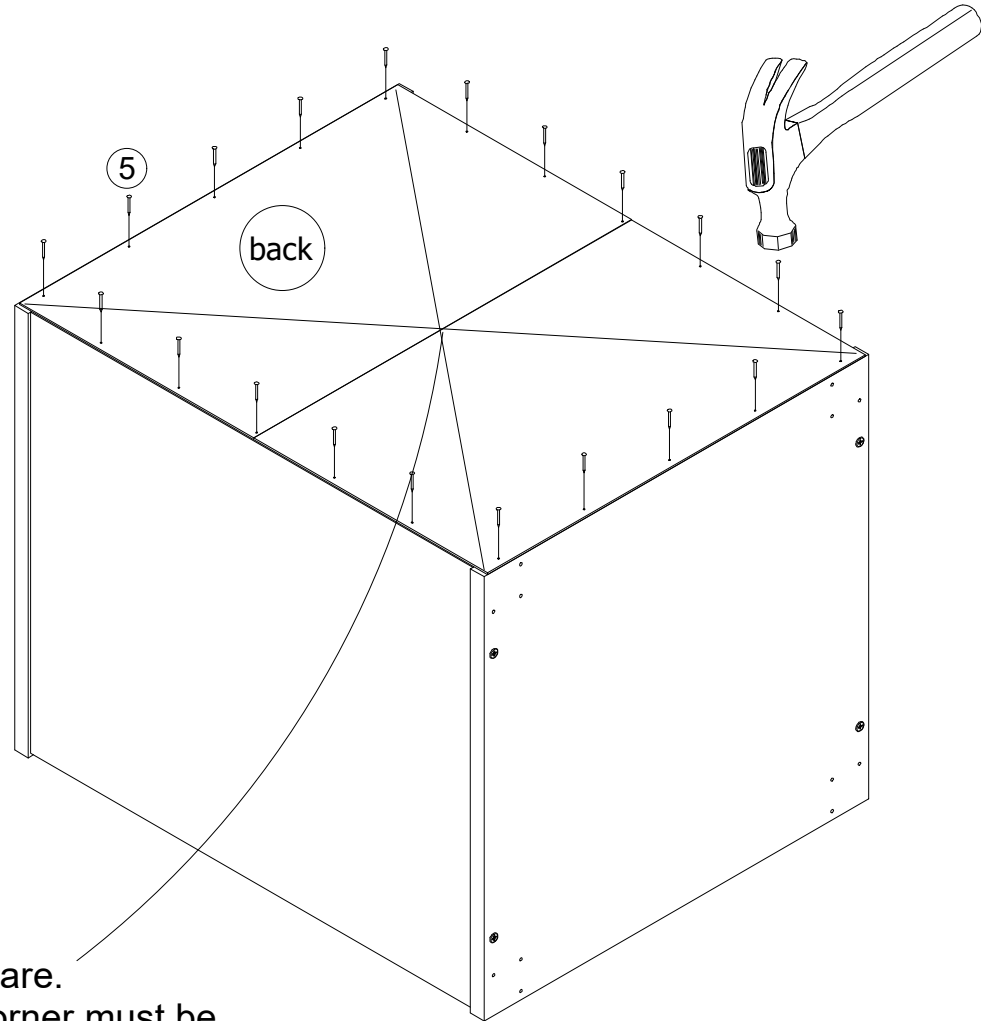
step 8

IMPORTANT! THE BACK PANEL IS A STRUCTURAL PART OF THIS UNIT AND MUST BE INSTALLED PROPERLY.

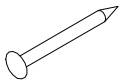
WARNING

Please make sure that the Back Panel is attached securely. All nails must be driven into the parts straight and centered. Failure to do so could cause instability, product collapse, and/or serious injury.

Turn the unit onto its front



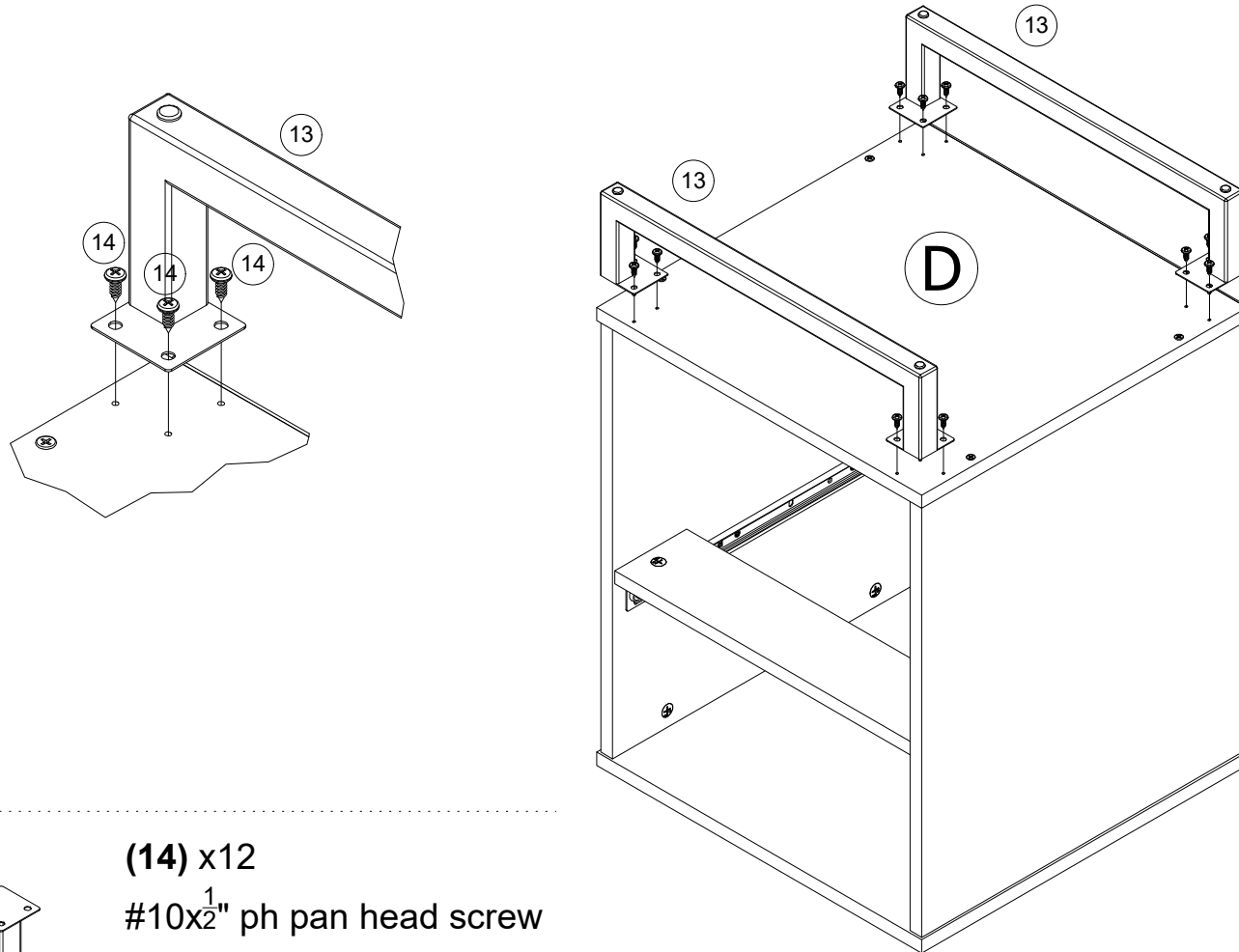
(5) x20
nail



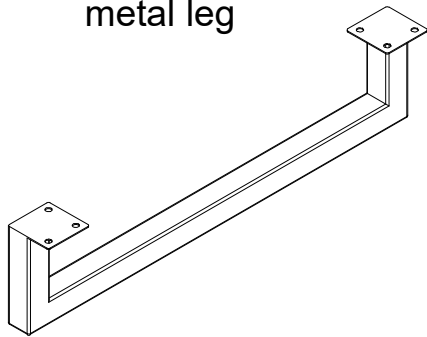
Assure that the unit is square.
Distance from corner to corner must be
equal as shown.

Attach the back panel so that the bottom
edge is even with the bottom (D) and
aligned side to side.

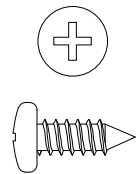
step 9



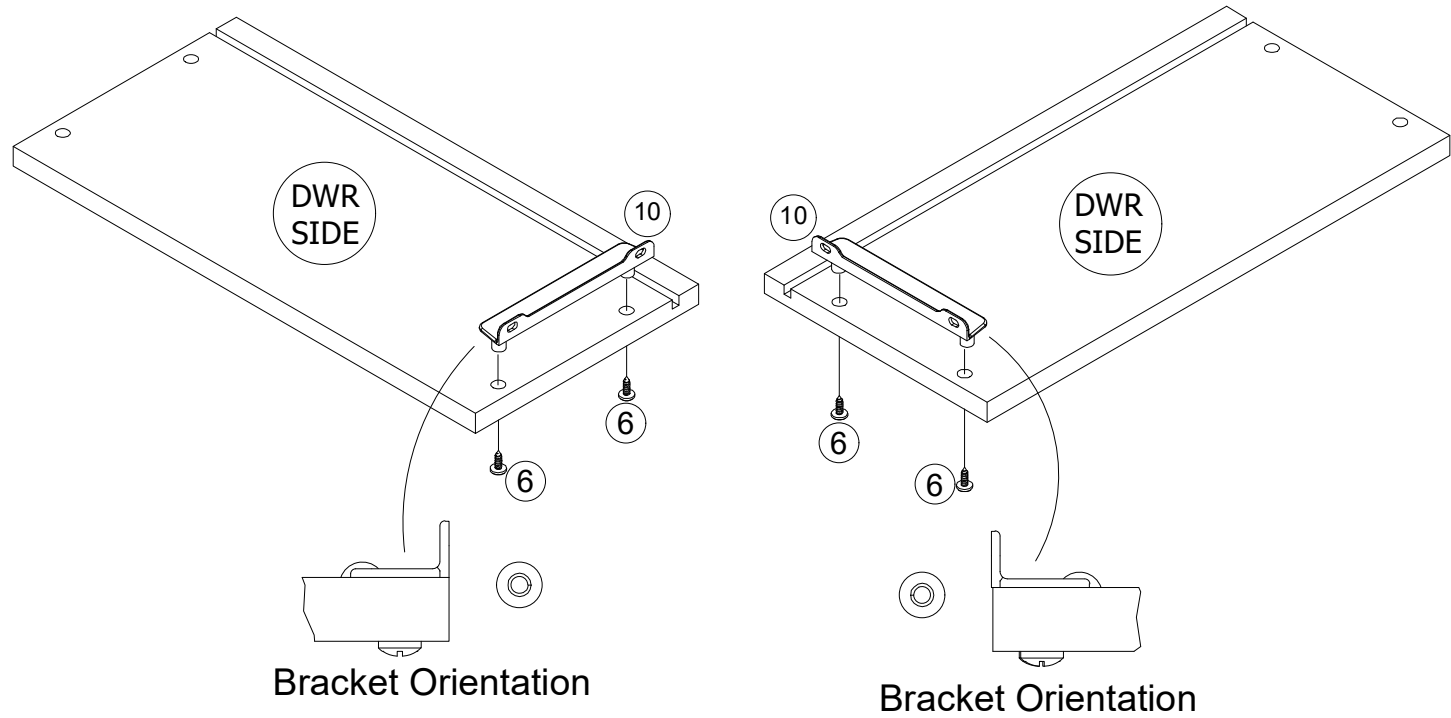
(13) x2
metal leg



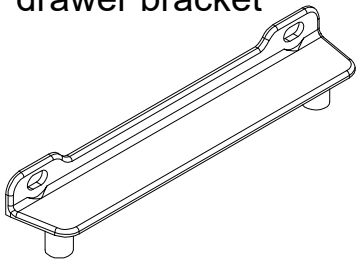
(14) x12
#10x $\frac{1}{2}$ " ph pan head screw



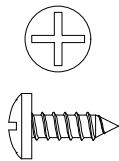
step 10



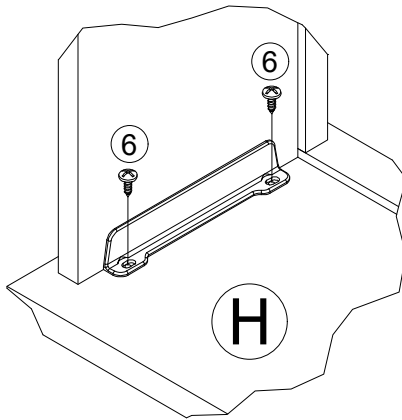
(10) x2
drawer bracket



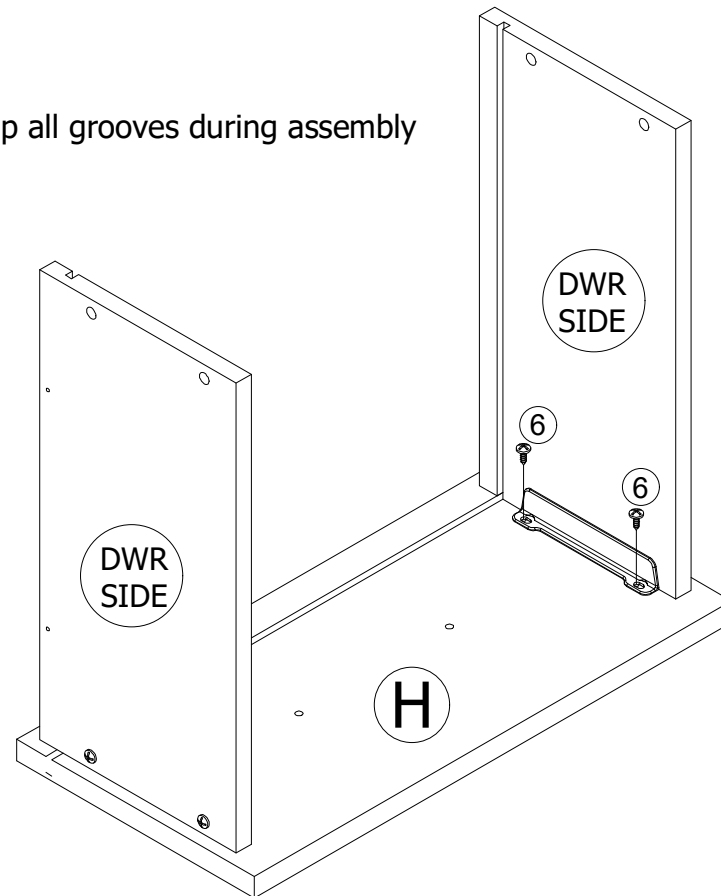
(6) x4
#8x⁷/₁₆" pan head screw



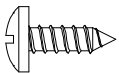
step 11



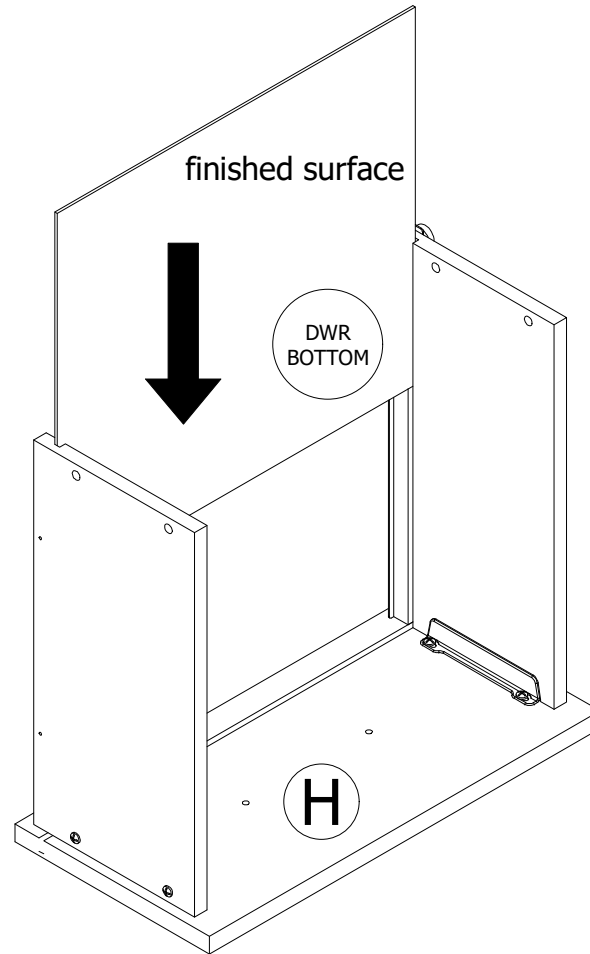
line up all grooves during assembly



(6) x4
#8x⁷/₁₆" pan head screw

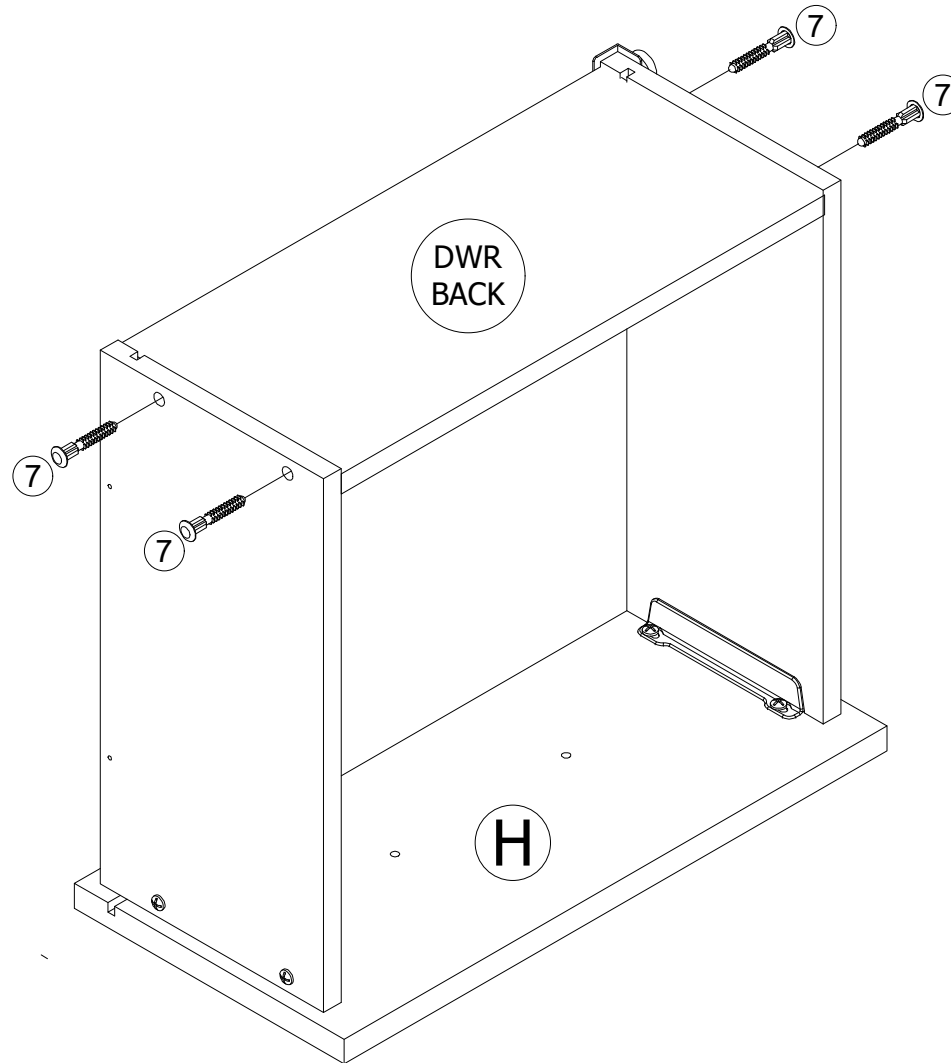


step 12

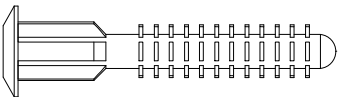


1. Slide drawer bottom into grooves in drawer sides. Make sure finished surface is facing up.

step 13

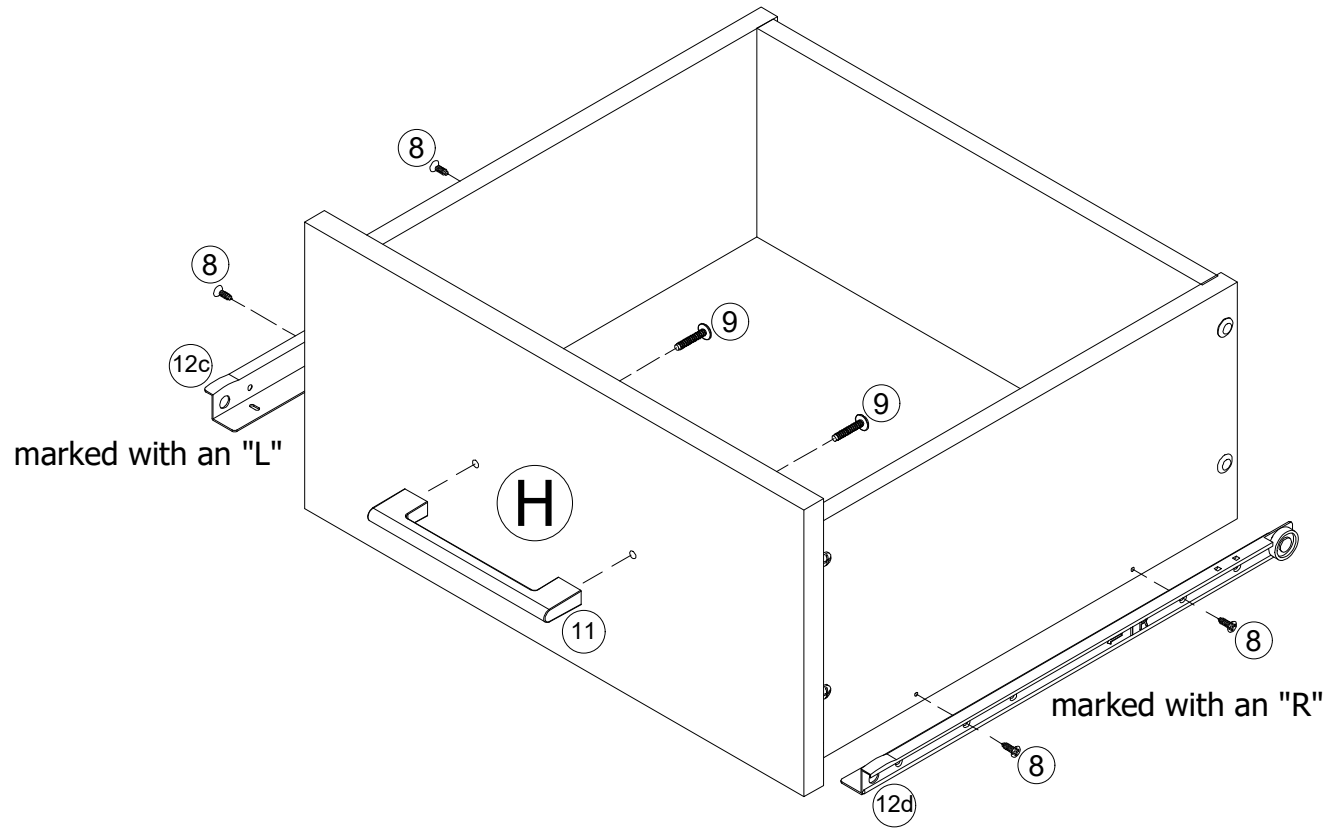


(7) x4
drive fastener

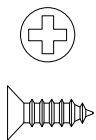


1. **Lightly tap** the drive fasteners with a hammer, until fully inserted.

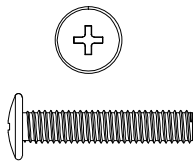
step 14



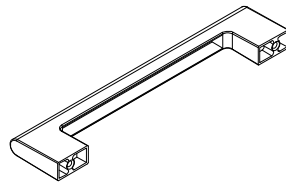
(8) x4
#6x7/16" flat head screw



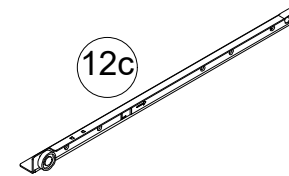
(9) x2
8-32x7/8" bolt



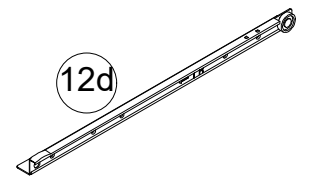
(11) x1
handle



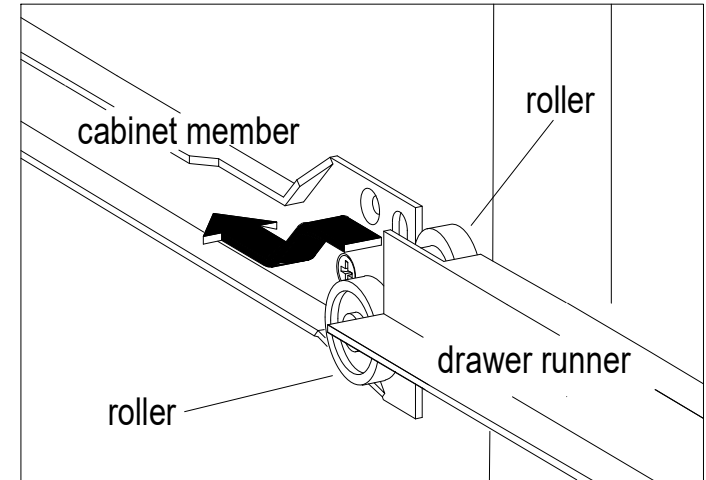
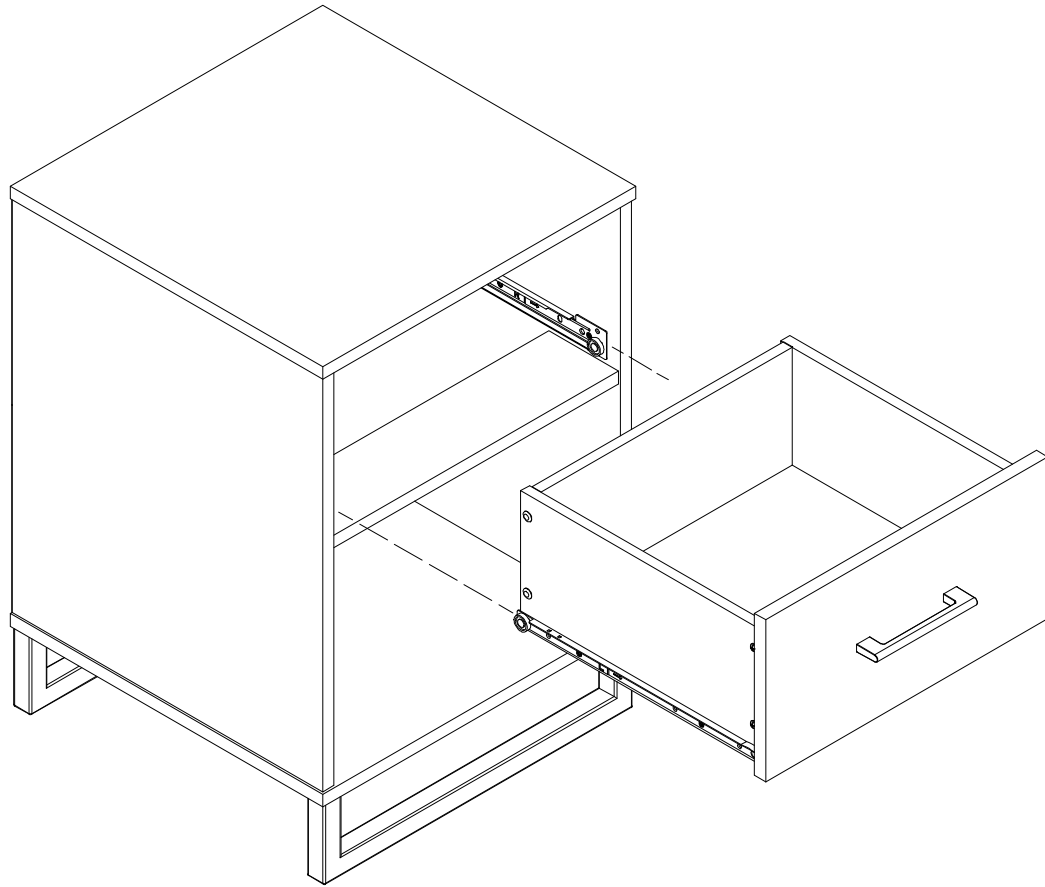
(12) x1
left drawer slide



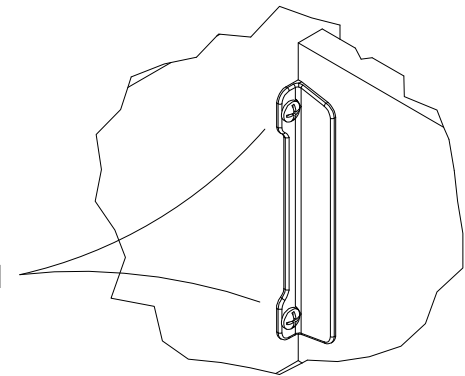
(12) x1
right drawer slide



step 15



Notice, the drawer bracket holes are slotted. Drawer fronts can be adjusted by loosening screws, making needed adjustments and retightening screws.



MAXIMUM LOADS

This unit has been designed to support the maximum loads shown. Exceeding these load limits could cause sagging, instability, product collapse, and/or serious injury.

Warning: Risk of injury to persons - do not place a television on this furniture. This furniture is not approved for use with a television.

