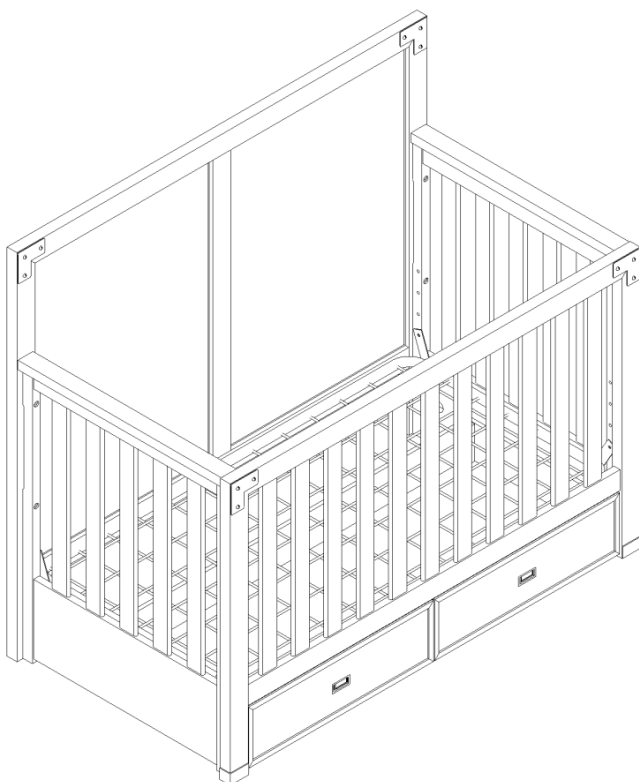


INSTRUCTION MANUAL

bertini®

5 IN 1 CONVERTIBLE CRIB



Model No:

DA1526B4-W (White)

DA1526B4-BL (Blue)

UPC CODE:

0-65857-17304-8 (White)

0-65857-17331-4 (Blue)

NOTE:

THIS INSTRUCTION BOOKLET
CONTAINS **IMPORTANT** SAFETY
INFORMATION. PLEASE READ AND
KEEP FOR FUTURE REFERENCE.

Lot number:

(TAKEN FROM CARTON)

Date of purchase:

____ / ____ / ____



sample tested to meet U.S. Federal,
ASTM and other safety requirements

DO NOT RETURN PRODUCT TO THE RETAILER.

If a part is missing or damaged, contact our
customer service department. We will replace the
part **FREE** of charge.



Tel #: 1-800-295-1980

E-Mail: das@dorel.com

CUSTOMER SERVICE

If you are missing parts or have any questions about this product, contact our customer service representative first!

CALL 1-800-295-1980

You can also order parts by writing to the address listed below. Please include the product model number, color and a detailed description of the part.

Customer Service Department No. 413
12345 Albert-Hudon Boulevard, Suite 100
Montreal, Quebec
Canada, H1G 3L1
E-MAIL: das@dorel.com

WARNING

- * Failure to follow these warnings and assembly instructions could result in serious injury or death.
- * Read all instructions before assembling crib. **KEEP INSTRUCTIONS FOR FUTURE USE.**
- * Check this product for damaged hardware, loose joints, loose bolts or other fasteners, missing parts or sharp edges before assembly and frequently during use. Securely tighten loose bolts and other fasteners. **DO NOT** use crib if any parts are missing, damaged or broken. Contact a customer service representative at 1-800-295-1980 for replacement parts and instructional literature if needed. **DO NOT** substitute parts.
- * Infants can suffocate on soft bedding. Never add a pillow or comforter. Never place additional padding under an infant.
- * Stop using the crib when child begins to climb out or reaches the height of 35 inches (89 cm).
- * To reduce the risk of SIDS, pediatricians recommend healthy infants be placed on their backs to sleep, unless otherwise advised by your physician.
- * **DO NOT** place crib near window where cords from blinds or drapes may strangle a child.
- * Strings can cause strangulation! **DO NOT** place items with a string around a child's neck, such as hood strings or pacifier cords. **DO NOT** suspend strings over a crib or attach strings to toys.
- * To help prevent strangulation tighten all fasteners. A child can trap parts of the body or clothing on loose fasteners.
- * If refinishing, use a non-toxic finish specified for children's products.
- * When child is able to pull to standing position, set mattress to lowest position and remove bumper pads, large toys and other objects that could serve as steps for climbing out.
- * Never use plastic shipping bags or other plastic film as mattress covers because they can cause suffocation.
- * Replace teething rail if damaged or loose (if teething rail is provided for this model).
- * **CAUTION: ANY MATTRESS USED IN THIS CRIB MUST BE AT LEAST 27-1/4 INCHES BY 51-5/8 INCHES (69CM BY 131CM) WITH A THICKNESS NOT EXCEEDING 6 INCHES (15CM).**
- * Infants can suffocate in gaps between crib sides and a mattress that is too small.
- * Follow warnings on all products in a crib.

- * **INFANTS HAVE DIED IN TODDLER BEDS FROM ENTRAPMENT.** Openings in and between bed parts can entrap head and neck of a small child.
- * NEVER use bed with children under 15 months or over 50 lbs.
- * ALWAYS follow assembly instructions.
- * **STRANGUALTION HAZARD.** NEVER place bed near windows where cords from blinds or drapes may strangle a child.
- * NEVER suspend strings over a bed.
- * NEVER place items with a string, cord, or ribbon around a child's neck, such as hood strings or pacifier cords. These items can catch on bed parts.
- * **CAUTION**
ENTRAPMENT HAZARD. To avoid dangerous gaps, any mattress used on this bed shall be a full-size crib mattress at least 51-5/8 inches (1310 mm) in length, 27-1/4 inches (690 mm) in width, and a max thickness of 6 inches (150 mm).

NOTES

- * Ensure all parts and components are present before beginning assembly.
- * Assemble on a soft, smooth surface to prevent damage to product finish.
- * Phillips head screw driver is not included.
- * **DO NOT** use power tools.
- * **CAUTIONS:** Adult assembly required.
- * Assembly will require two people.
- * Estimated assembly time: 30 minutes.

CARE AND CLEANING

Dust regularly with a soft, lint-free cloth to prevent soil build-up. A damp cloth may be used occasionally to clean surface. Dry immediately. Do not use any abrasives that may damage finish. Excessive exposure to sunlight and extreme changes in temperature and moisture can damage wood furniture.

MAINTENANCE

Check bolts/screws periodically and tighten them if necessary.

LIMITED WARRANTY

DOREL warrants its product to be free from defects in material and workmanship and agrees to remedy any such defect. This warranty covers 1 year from the date of original purchase. This warranty is valid only upon presentation of proof of purchase. This is solely limited to the repair or replacement of defective furniture components and no assembly labor is included. This warranty does not apply to any product which has been improperly assembled, subjected to misuse or abuse or which has been altered or repaired in any way. This warranty gives you specific legal rights and you may also have other rights which vary from State to State.

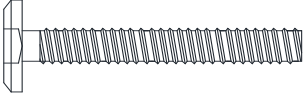
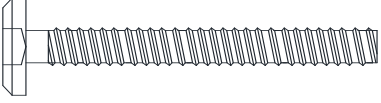
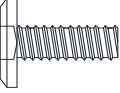






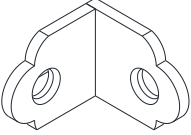


WARNING: Should this product become damaged, and/or components are broken or missing, DO NOT USE.

5 IN 1 CONVERTIBLE CRIB

DA1526B4-W / DA1526B4-BL

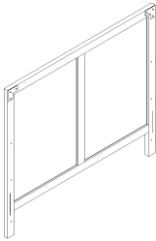

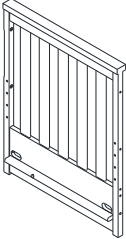
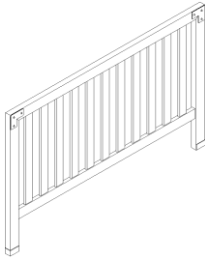
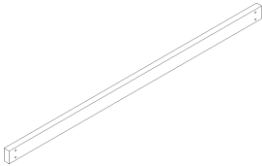
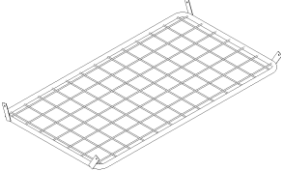
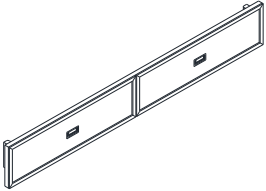
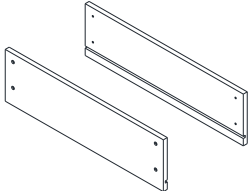
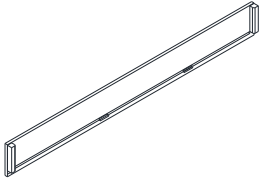
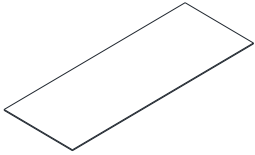

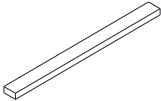
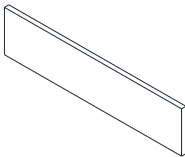
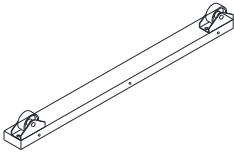
HARDWARE LIST

<p style="text-align: center;">1</p>  <p style="text-align: center;">Ø1/4" X 15mm X 40mm</p>	<p style="text-align: center;">2</p>  <p style="text-align: center;">Ø1/4" X 15mm X 60mm</p>
<p style="text-align: center;">BOLT 12 PCS</p>	<p style="text-align: center;">BOLT 4 PCS</p>
<p style="text-align: center;">3</p>  <p style="text-align: center;">Ø1/4" X 15mm X 15mm</p>	<p style="text-align: center;">4</p>  <p style="text-align: center;">25 X 10 X 7.5mmT</p>
<p style="text-align: center;">MATTRESS SUPPORT BOLT 16 PCS</p>	<p style="text-align: center;">CURVED NUT 4 PCS</p>
<p style="text-align: center;">5</p>  <p style="text-align: center;">Ø5/16" X 13 X 1.5mmT</p>	<p style="text-align: center;">6</p>  <p style="text-align: center;">Ø1/4" X 11 X 1.2mmT</p>
<p style="text-align: center;">SPRING WASHER 12 PCS</p>	<p style="text-align: center;">SPRING WASHER 16 PCS</p>
<p style="text-align: center;">7</p> 	<p style="text-align: center;">8</p>  <p style="text-align: center;">Ø4 X 25mm</p>
<p style="text-align: center;">ALLEN KEY 1 PC</p>	<p style="text-align: center;">SCREW 14 PCS</p>
<p style="text-align: center;">9</p>  <p style="text-align: center;">Ø4 X 12mm</p>	<p style="text-align: center;">10</p> 
<p style="text-align: center;">SCREW 24 PCS</p>	<p style="text-align: center;">METAL BRACKET 12 PCS</p>

5 IN 1 CONVERTIBLE CRIB

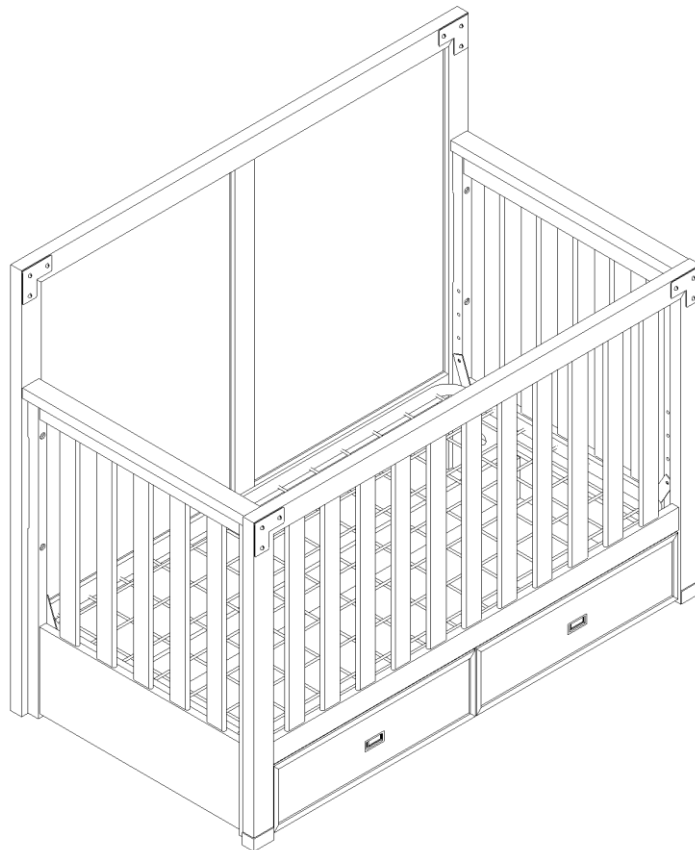
DA1526B4-W / DA1526B4-BL

PARTS LIST

<p>A</p> 	<p>B</p> 	<p>C</p> 
<p>HEADBOARD 1 PC</p>	<p>LEFT SIDE PANEL 1 PC</p>	<p>RIGHT SIDE PANEL 1 PC</p>
<p>D</p> 	<p>E</p> 	<p>F</p> 
<p>FOOTBOARD 1 PC</p>	<p>BOTTOM RAIL 1 PC</p>	<p>MATTRESS SUPPORT 1 PC</p>
<p>G</p> 	<p>H</p> 	<p>I</p> 
<p>DRAWER FRONT 1PC</p>	<p>DRAWER SIDE 2PCS</p>	<p>DRAWER BACK 1PC</p>
<p>J</p> 	<p>K</p> 	<p>L</p> 
<p>DRAWER BOTTOM 1PC</p>	<p>DRAWER STOPPER 2PCS</p>	<p>CENTER SUPPORT RAIL 2PCS</p>
<p>M</p> 	<p>N</p> 	
<p>MIDDLE PANEL 1PC</p>	<p>RAIL WITH WHEELS 2PCS</p>	

5 IN 1 CONVERTIBLE CRIB

DA1526B4-W / DA1526B4-BL



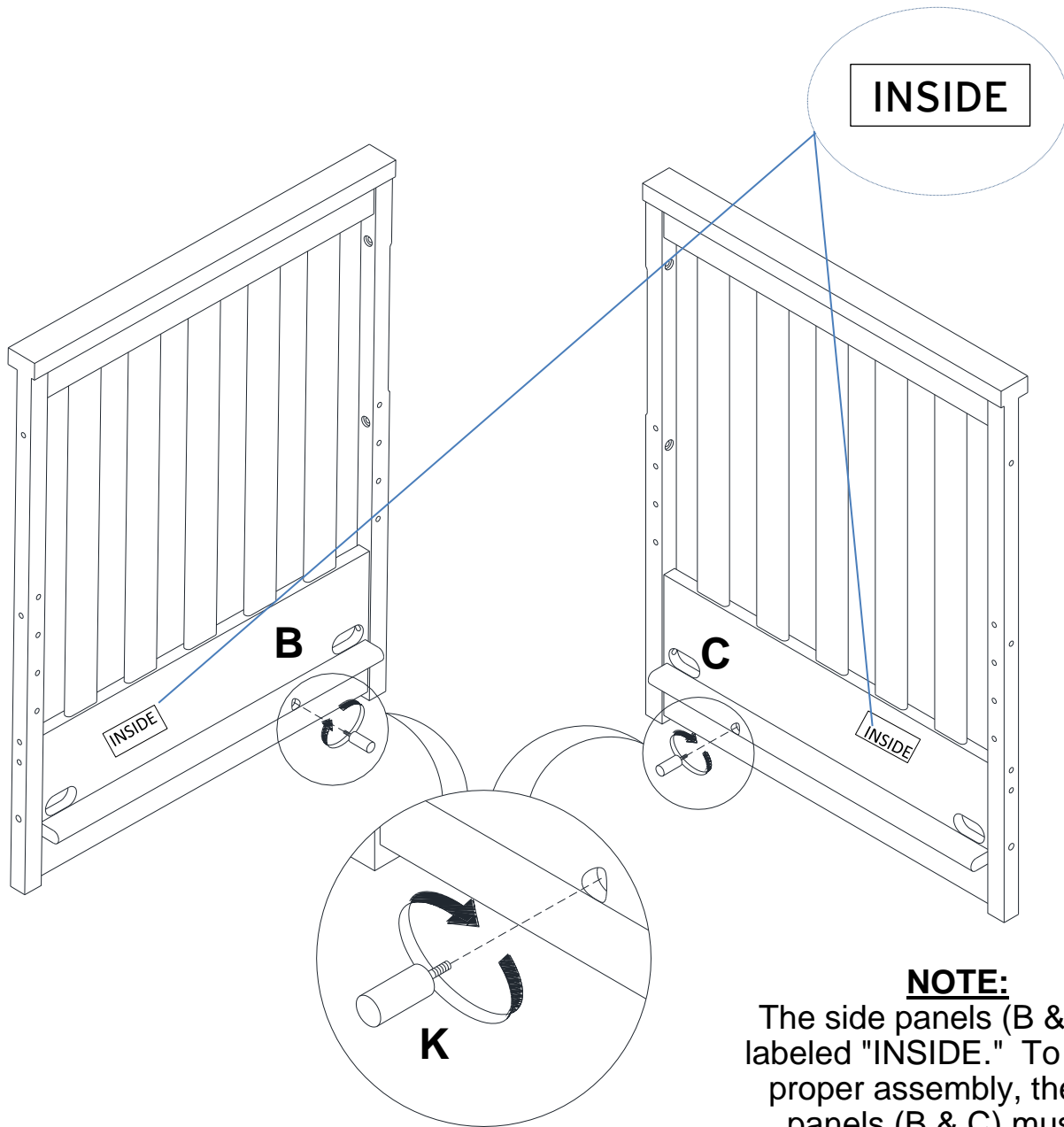
CRIB ASSEMBLY INSTRUCTION

NOTE: When inserting bolts, turn clockwise until tight. Then loosen 1/2 - 3/4 of a turn. After crib is completely assembled, return to each bolt and tighten. Use wax or soap on all bolts to facilitate assembly.

5 IN 1 CONVERTIBLE CRIB DA1526B4-W / DA1526B4-BL

STEP 1:

Insert the drawer stoppers (K) into left side panel (B) and right side panel (C) as shown below.



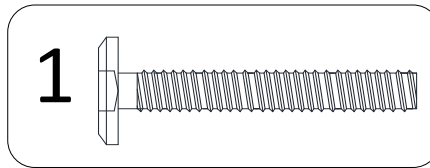
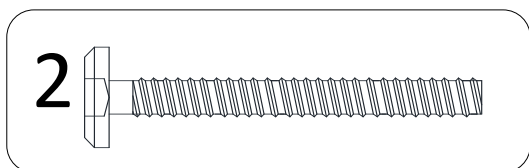
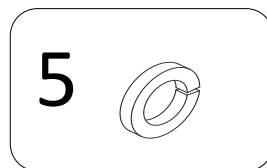
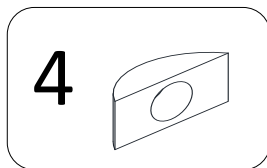
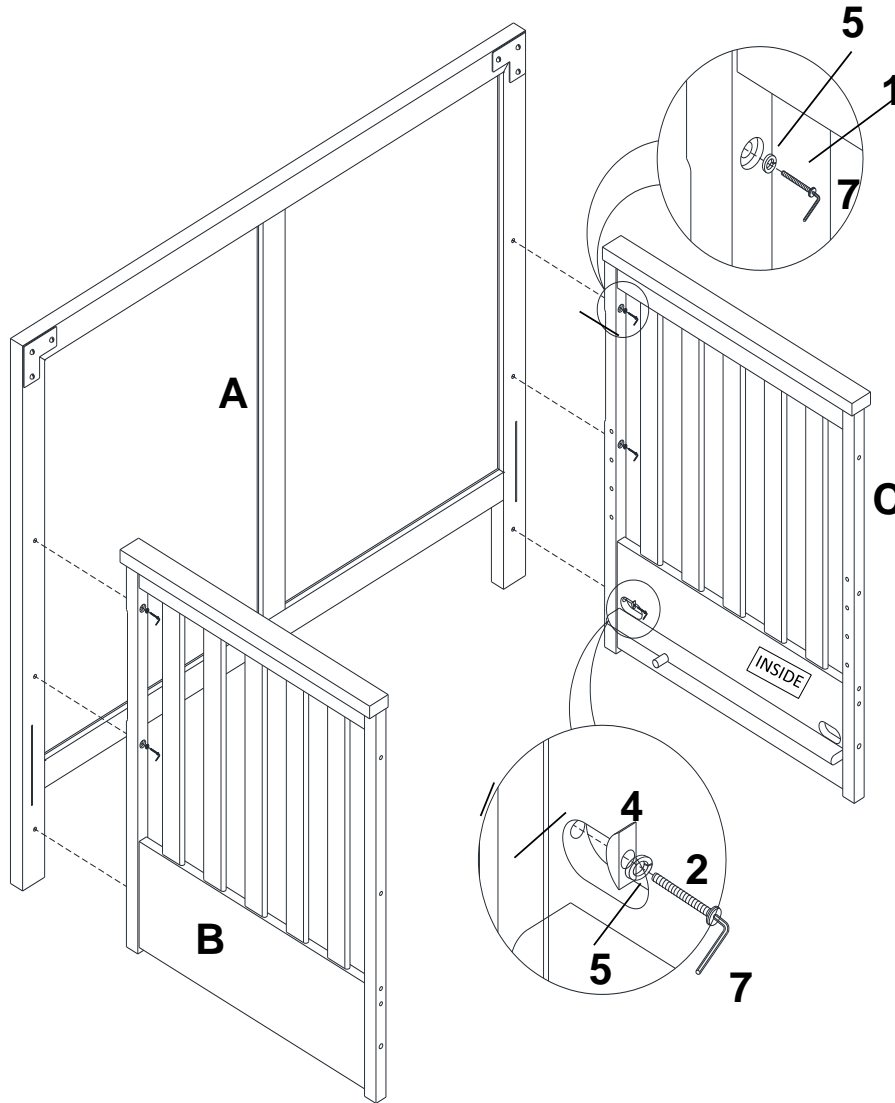
NOTE:

The side panels (B & C) are labeled "INSIDE." To ensure proper assembly, the side panels (B & C) must be attached to the headboard so that the INSIDE label faces inside the crib in the following step.

5 IN 1 CONVERTIBLE CRIB DA1526B4-W / DA1526B4-BL

STEP 2:

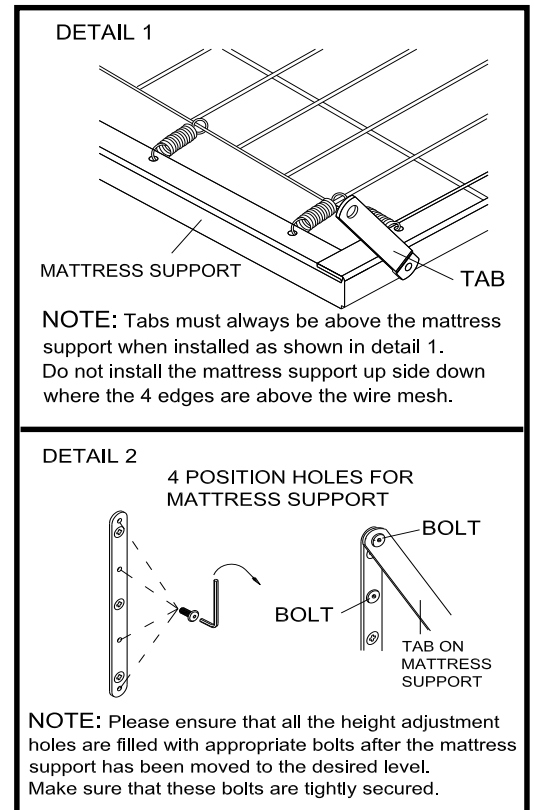
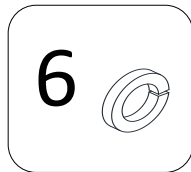
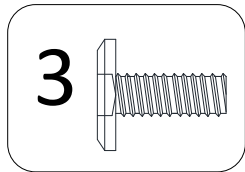
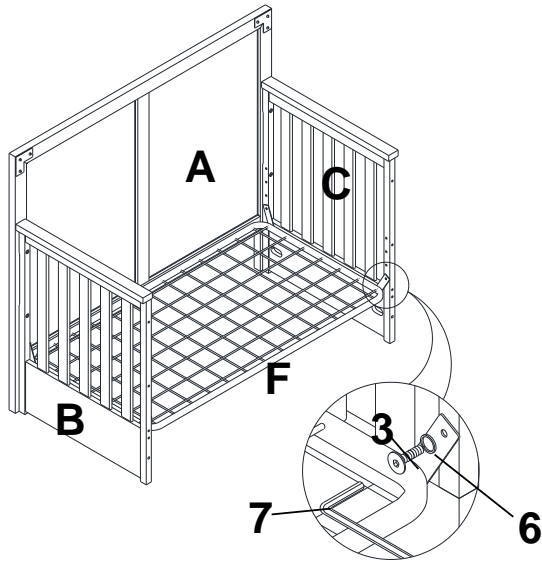
Attach side panels (B & C) to headboard (A) using bolts (1 & 2), spring washers (5), curved nuts (4) and Allen Key (7) as shown below.



5 IN 1 CONVERTIBLE CRIB DA1526B4-W / DA1526B4-BL

STEP 3:

Attach mattress support (F) to the side panels (B & C) with mattress support bolts (3) and spring washers (6), using Allen Key (7).



CORRECT
"THIS SIDE UP" label shows which side must face upwards.



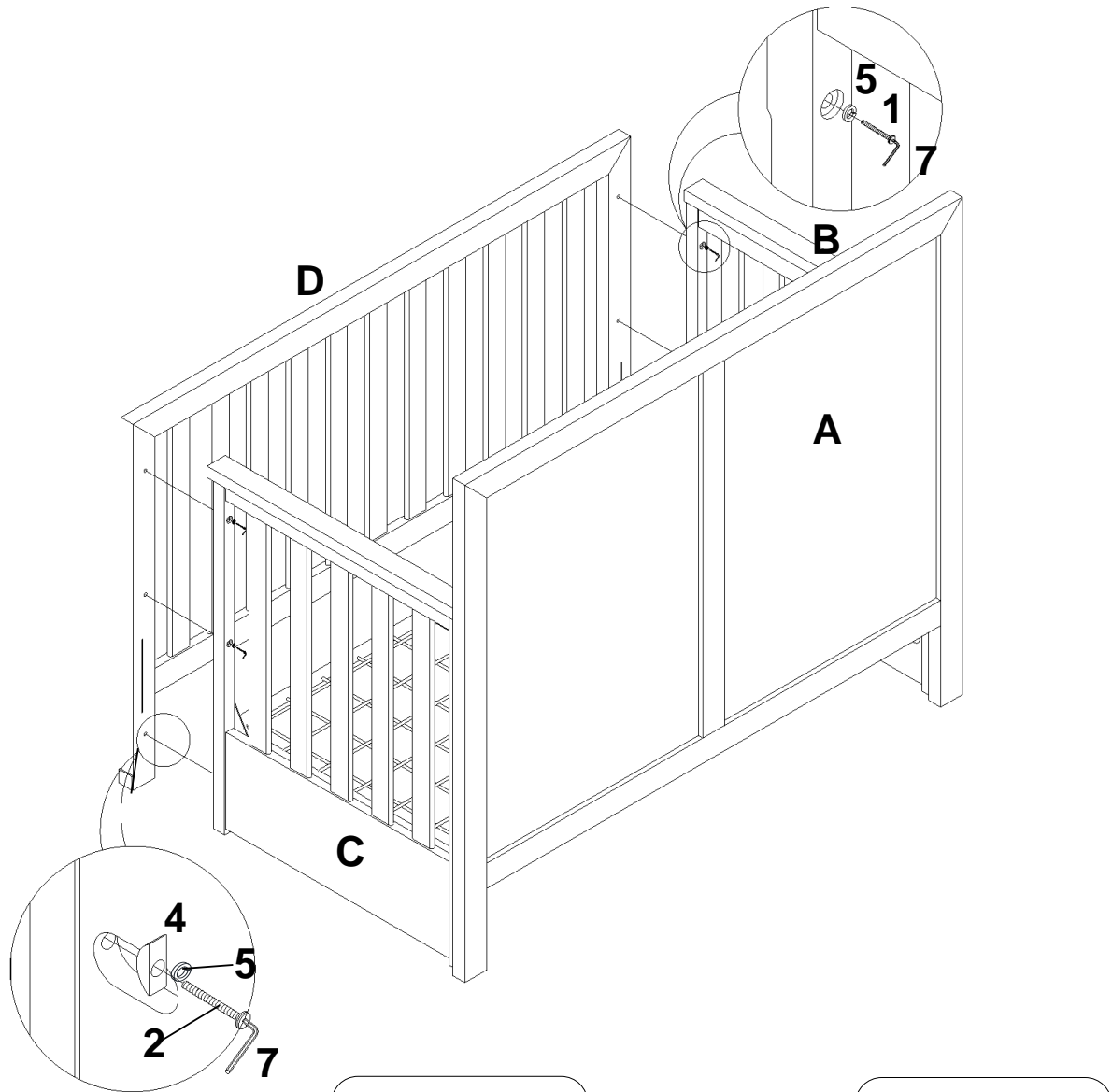
CORRECT
* Tabs on corners of mattress support must point up.

NOTE: The above photos and drawings showing how to properly attach the mattress support are for reference only. Crib styles and colors will vary.

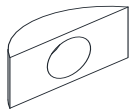
5 IN 1 CONVERTIBLE CRIB DA1526B4-W / DA1526B4-BL

STEP 4:

Attach footboard (D) to the side panels (B & C) with bolts (1 & 2), curved nuts (4), spring washers (5) and Allen key (7) as shown below.



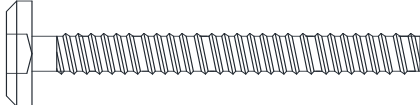
4



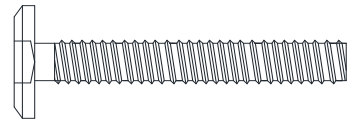
5



2



1



5 IN 1 CONVERTIBLE CRIB DA1526B4-W / DA1526B4-BL

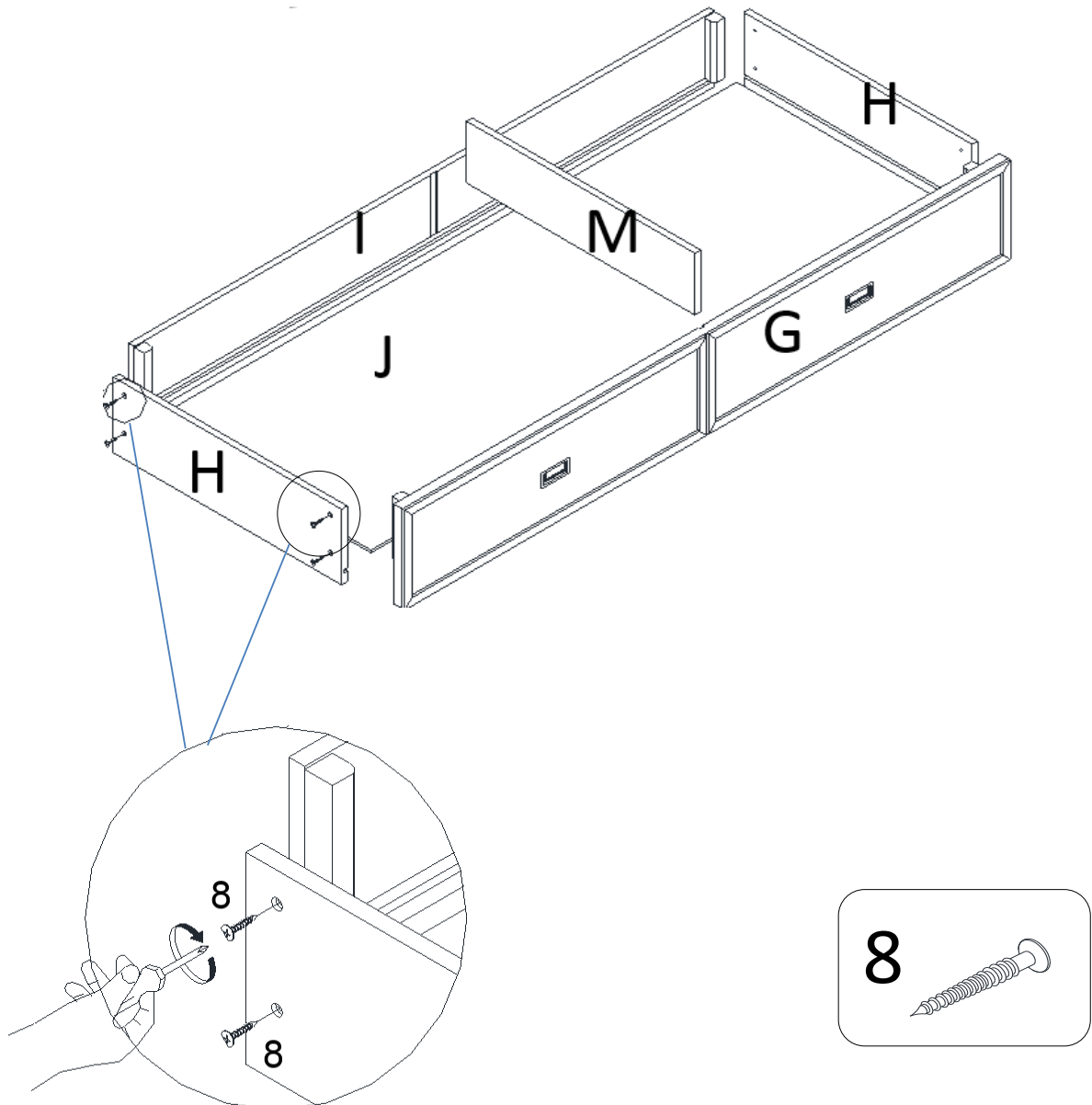
STEP 5

Attach drawer back (I) to drawer sides (H) with screw 8 using a Phillips head screwdriver (not included).

Slide the drawer bottom (J) through the grooves of drawer sides (H) and drawer back (I)

Attach the drawer front (G) using screw (8) and a Phillips head screwdriver (not included).

Slide the drawer middle panel (M) through the grooves on drawer front (G) and drawer back (I).



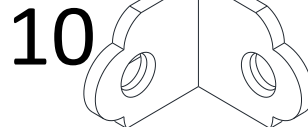
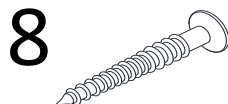
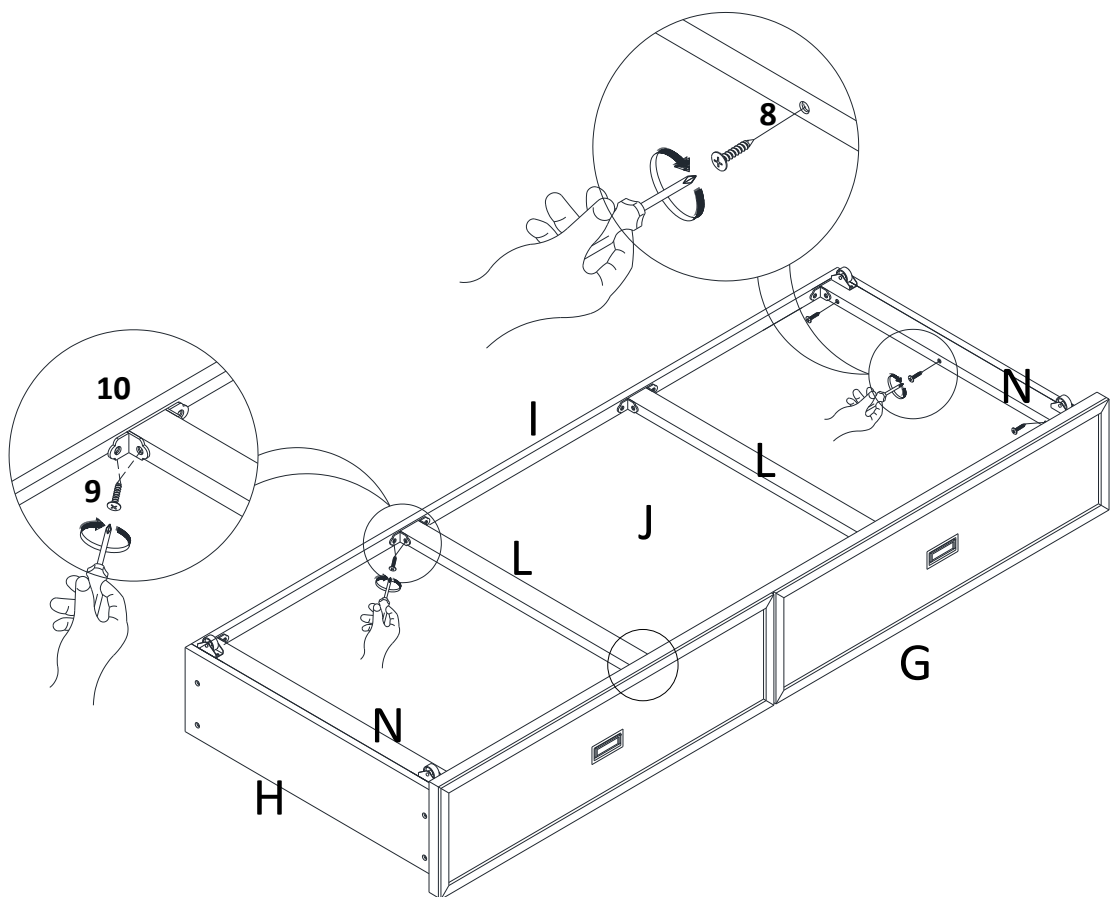
5 IN 1 CONVERTIBLE CRIB DA1526B4-W / DA1526B4-BL

STEP 6

Turn the trundle drawer upside down.

Attach the support rails (L) and rail with wheels (N) to the drawer back (I) and drawer front (G) with metal bracket (10) and screws (9) using a Phillips head screwdriver (not included) as shown below.

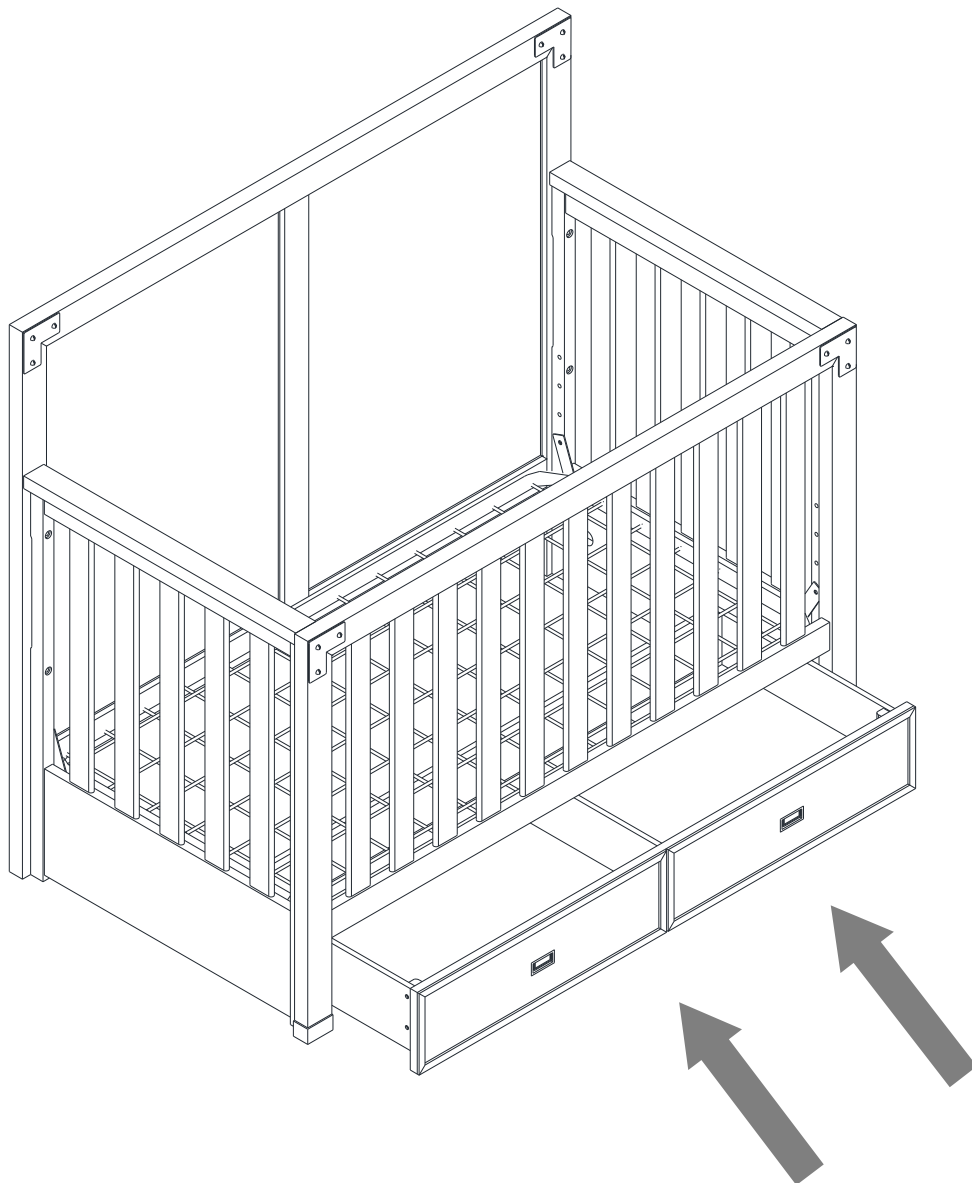
Further secure the rail with wheels (N) to drawer sides (H) with screws (8) using a Phillips head screwdriver (not included).



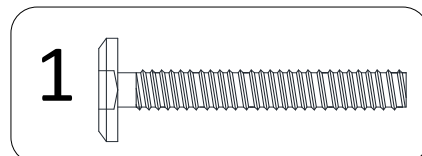
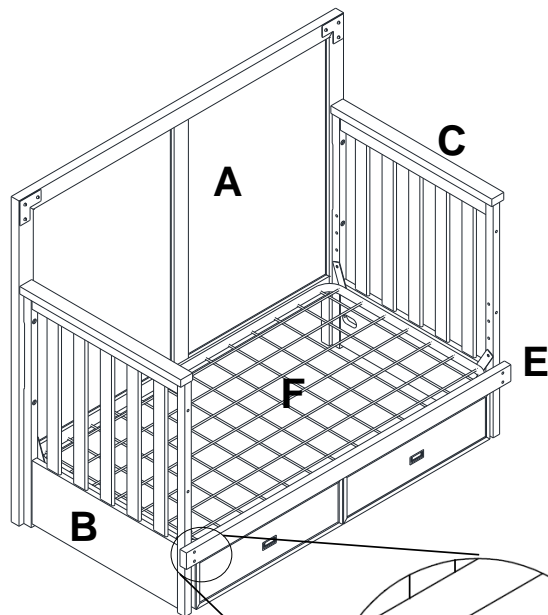
5 IN 1 CONVERTIBLE CRIB DA1526B4-W / DA1526B4-BL

STEP 7

Slide the trundle drawer under the crib until it touches the drawer stoppers (K).



5 IN 1 CONVERTIBLE CRIB DA1526B4-W / DA1526B4-BL



WARNINGS:

- * ANY MATTRESS USED IN THIS CRIB MUST BE AT LEAST 27-1/4 INCHES BY 51-5/8 INCHES (69CM BY 131CM) WITH A THICKNESS NOT EXCEEDING 6 INCHES (15CM).
- * The toddler bed or day bed is not intended for children under 15 months of age or over 50 lbs (22.7 kgs).

TODDLER BED & DAY BED ASSEMBLY: STARTING FROM CRIB

STEP 1: Detach the left side panel (B) and the right side panel (C), using an Allen Key (7).

STEP 2: If mattress support (F) is not in the lowest position, unscrew mattress support bolts (3) from the left side panel (B) and the right side panel (C) and move to the lowest position.

STEP 3: Attach daybed rail (E) to the left side panel (B) and the right side panel (C) using bolts (1). Use an Allen Key (7) to tighten all bolts.

STEP 4: Ensure all bolts are tightly secured.

TODDLER BED & DAY BED ASSEMBLY: STARTING FROM SCRATCH

STEP 1: Follow step 1 to 3 of the crib assembly instructions.

STEP 3: Attach daybed rail (E) to the left side panel (B) and the right side panel (C) using bolts (1). Use an Allen Key (7) to tighten all bolts.

STEP 4: Ensure all bolts are tightly secured.

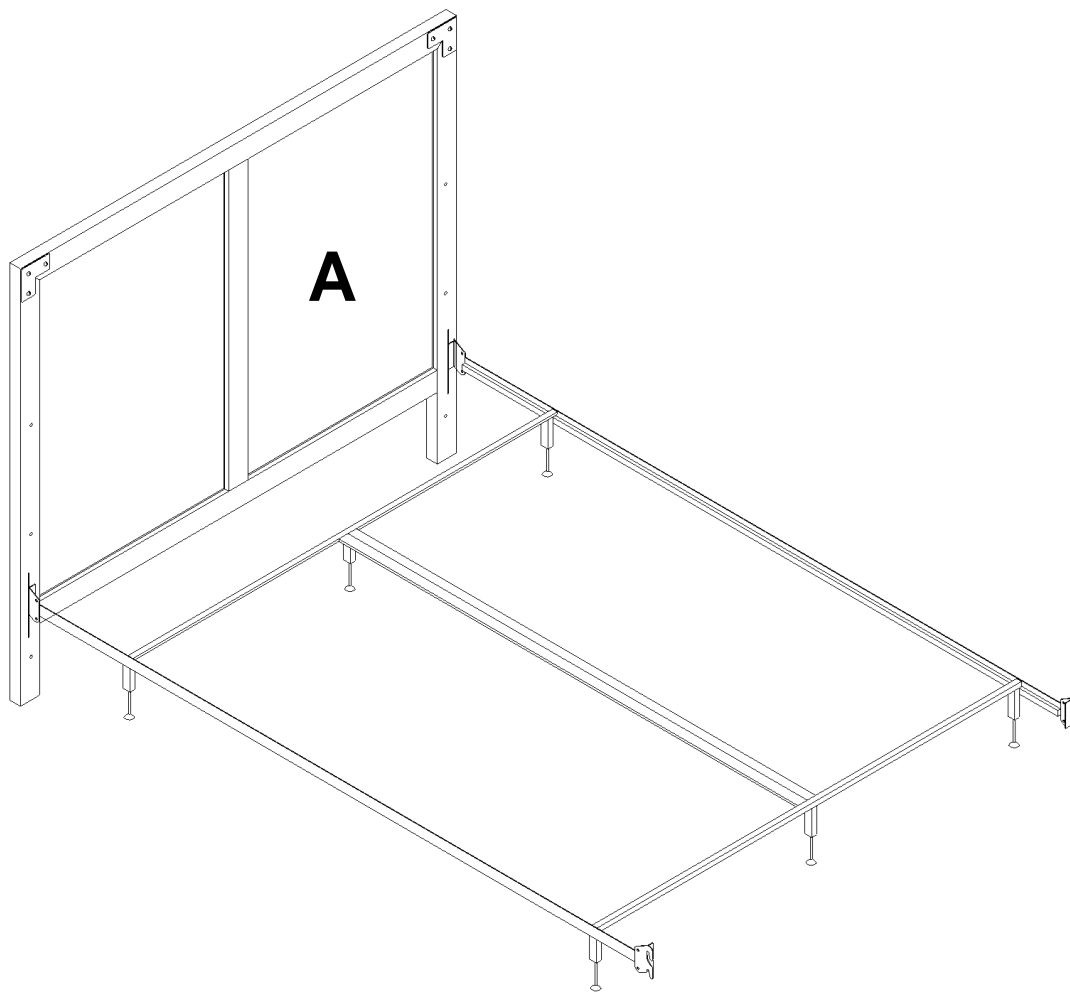
5 IN 1 CONVERTIBLE CRIB DA1526B4-W / DA1526B4-BL

FULL SIZE BED ASSEMBLY INSTRUCTION (HEADBOARD ONLY)

NOTE: FULL SIZE CONVERSION RAILS ARE NOT INCLUDED. DIAGRAMS ARE FOR REFERENCE ONLY. BED RAILS MAY DIFFER FROM ILLUSTRATION.

STEP 1

Attach a metal bedframe (not included) to the headboard (A) to convert your crib into a full size bed using the headboard only.



IMPORTANT: STORE ALL EXTRA PARTS THAT YOU ARE NOT USING FOR POSSIBLE FUTURE USE AS YOU MAY WISH TO CONVERT AGAIN. ALWAYS STORE THE ASSEMBLY INSTRUCTIONS IN THE POUCH ATTACHED TO THE MATTRESS SUPPORT (F).

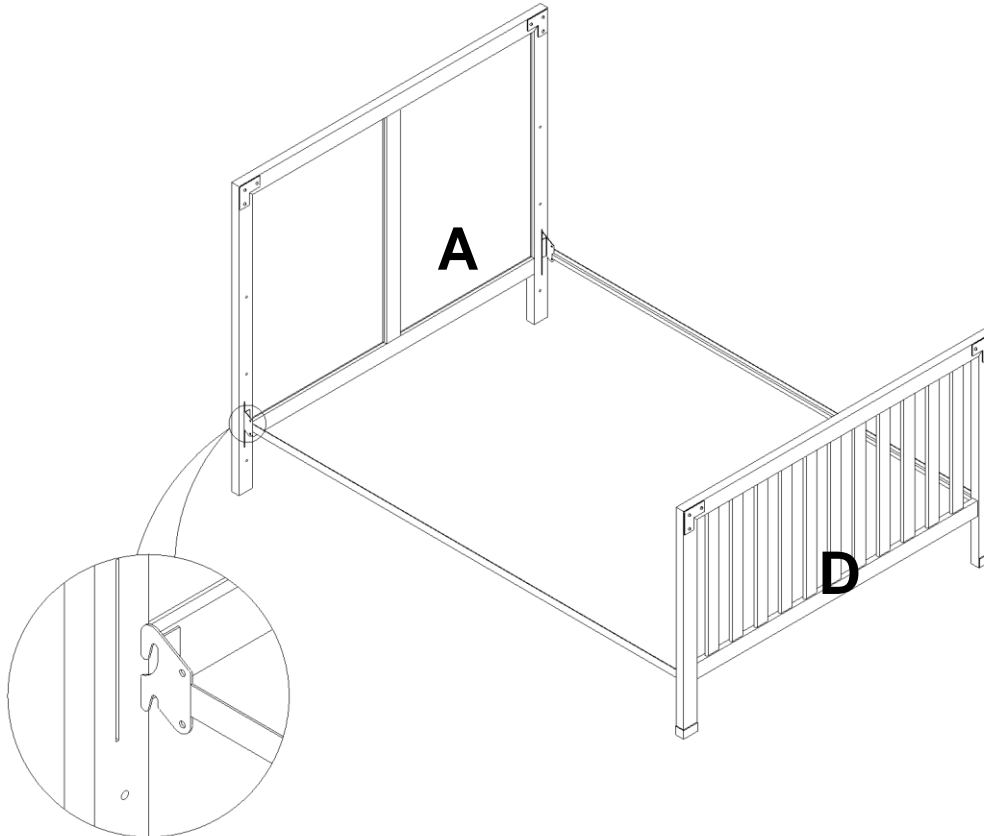
5 IN 1 CONVERTIBLE CRIB DA1526B4-W / DA1526B4-BL

FULL SIZE BED ASSEMBLY INSTRUCTION (HEADBOARD AND FOOTBOARD)

NOTE: FULL SIZE CONVERSION RAILS ARE NOT INCLUDED. DIAGRAMS ARE FOR REFERENCE ONLY. BED RAILS MAY DIFFER FROM ILLUSTRATION.

STEP 1

Attach standard size metal bedrails (not included) to headboard (A) and front rail (D) to convert your crib into a full size bed.

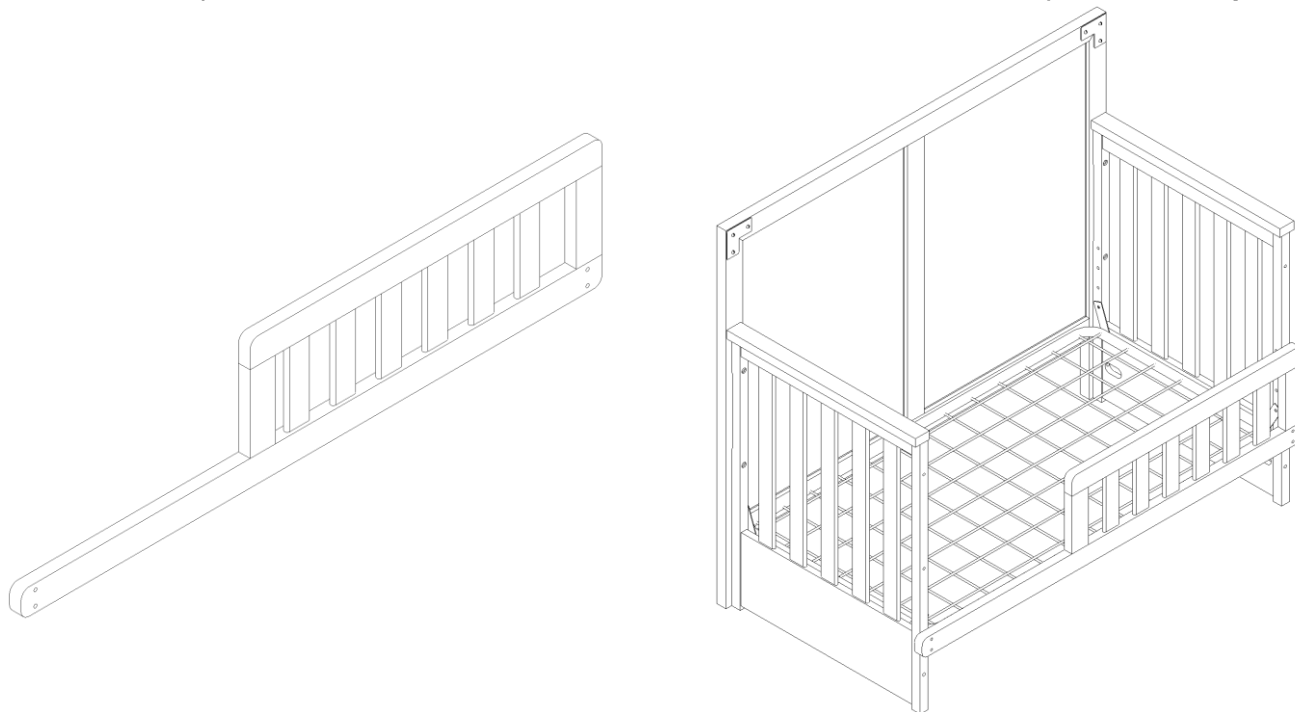


NOTE: Purchase the matching
Wooden Bedrails for a
coordinated look. See next
page for details!

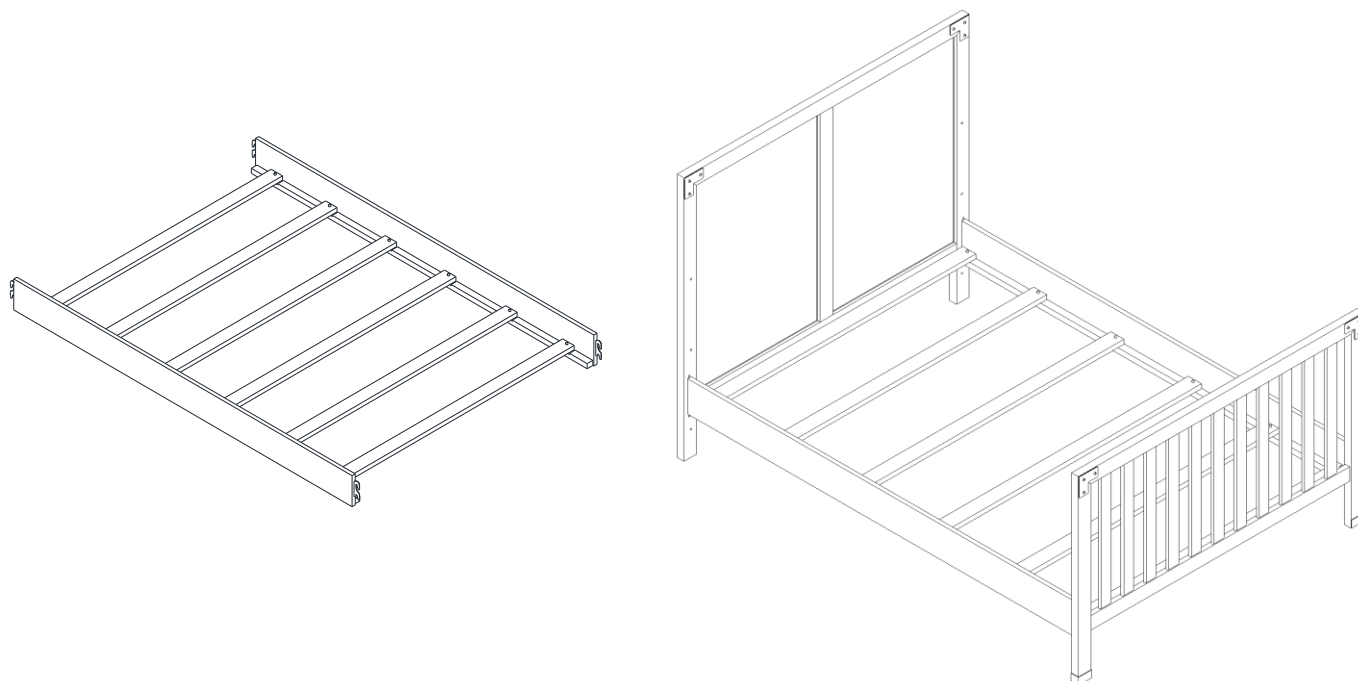
IMPORTANT: STORE ALL EXTRA PARTS THAT YOU ARE NOT USING FOR POSSIBLE FUTURE USE AS YOU MAY WISH TO CONVERT AGAIN. ALWAYS STORE THE ASSEMBLY INSTRUCTIONS IN THE POUCH ATTACHED TO THE MATTRESS SUPPORT (F).

5 IN 1 CONVERTIBLE CRIB DA1526B4-W / DA1526B4-BL

Convert your crib into a toddler bed with the Toddler Bed Guardrail (model number DA1526-5W / DA1526-5BL)- sold separately.



Convert your crib into a full size bed with the Full Size Wooden Bedrails (model number DA1526-8W / DA1526-8BL)- sold separately.



5 IN 1 CONVERTIBLE CRIB

DA1526B4-W / DA1526B4-BL



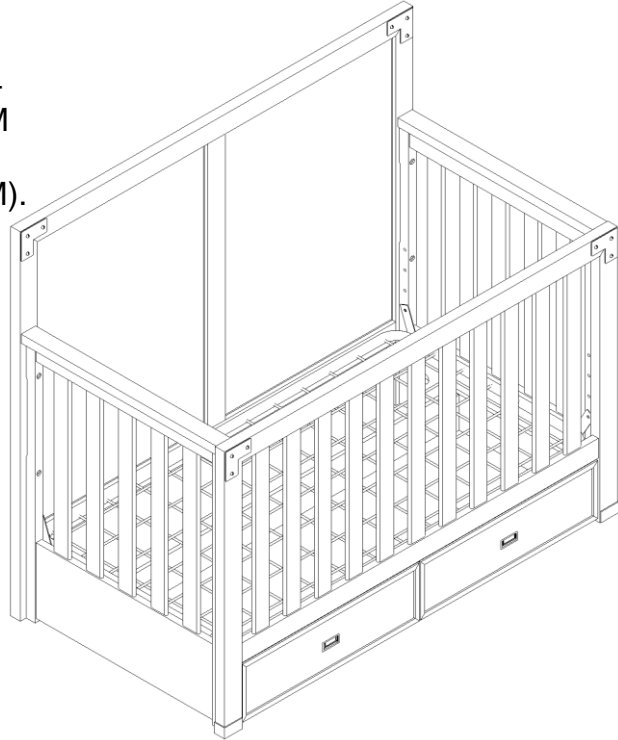
CAUTION: This unit is intended for use only with the products and/or maximum weights indicated. Use with other products and/or products heavier than the maximum weights indicated may result in instability or cause possible injury.

ANY MATTRESS USED IN THIS CRIB MUST BE AT LEAST 27-1/4 INCHES BY 51-5/8 INCHES (69CM BY 131CM) WITH A THICKNESS NOT EXCEEDING 6 INCHES (15CM).

Stop using crib when child begins to climb out or reaches the height of 35 inches (89 cm).

Maximum weight not to exceed 50 pounds when used as a crib.

The TODDLER BED or DAY BED is not intended for children under 15 months of age or over 50 pounds (22.7 kgs).



That's it ! You've finished assembling your 5 in 1 convertible crib!

DO NOT RETURN PRODUCT TO THE RETAILER.

If a part is missing or damaged, contact our customer service department. We will replace the part **FREE** of charge.



Tel #: 1-800-295-1980
E-Mail: das@dorel.com

MANUEL D'INSTRUCTIONS

bertini®

Modèle No.:

DA1526B4-W (Blanc)

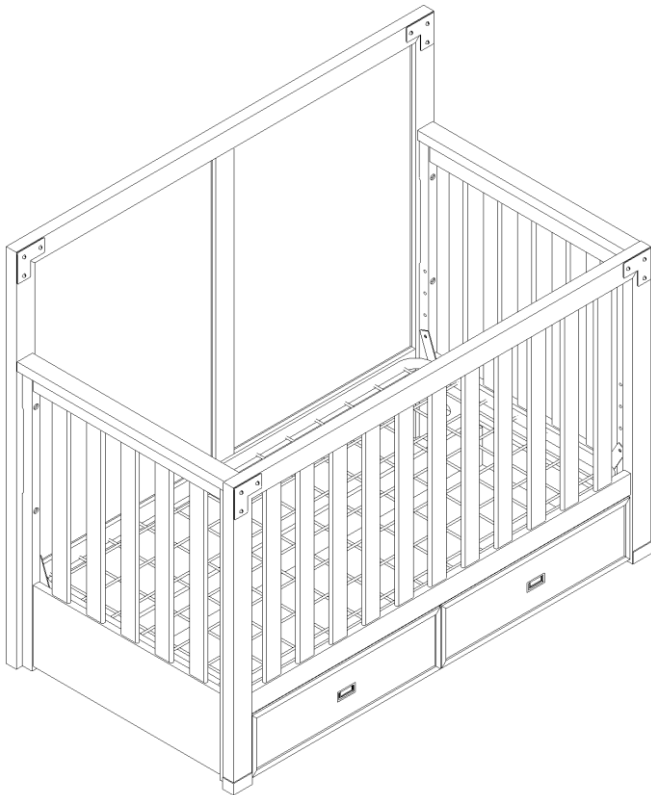
DA1526B4-BL (Bleu)

CODE CUP:

0-65857-17304-8 (Blanc)

0-65857-17331-4 (Bleu)

BERCEAU CONVERTIBLE 5 EN 1



NOTE:

CE MANUEL D'INSTRUCTIONS
CONTIENT DES INFORMATIONS
IMPORTANTES SUR LA SÉCURITÉ.
S.V.P. LIRE ET CONSERVER POUR
RÉFÉRENCES ULTÉRIEURES.

Numéro de Lot:

(SITUÉ SUR LA BOÎTE)

Date d'achat:

____ / ____ / ____



NE PAS RETOURNER CE PRODUIT AU MAGASIN.

Si une pièce est manquante ou endommagée,
contactez notre Service à la clientèle. Nous
remplacerons la pièce **GRATUITEMENT**.



Tél #: 1-800-295-1980
Courriel: das@dorel.com

SERVICE À LA CLIENTÈLE

Si des pièces sont manquantes ou si vous avez des questions concernant ce produit, contactez un représentant de notre service à la clientèle d'abord!

 **APPELEZ 1-800-295-1980**

Vous pouvez aussi commander des pièces en écrivant à l'adresse indiquée ci-dessous. Veuillez indiquer le numéro de modèle du produit, la couleur et une description détaillée de la pièce.

Département du Service à la Clientèle No. 413

12345 boul. Albert-Hudon, Suite 100

Montréal, Québec

Canada, H1G 3L1

COURRIEL: das@dorel.com

AVERTISSEMENT

- * Le non respect de ces avertissements et des instructions d'assemblage peut entraîner des blessures graves ou la mort.
- * Lire toutes les instructions avant d'assembler le lit de bébé. **GARDEZ LES INSTRUCTIONS POUR UTILISATION.**
- * Vérifiez ce produit pour du matériel endommagé, des joints lâches, des boulons desserrés ou autres éléments de fixation, des pièces manquantes ou des bords pointus avant d'assembler et fréquemment pendant l'utilisation. Serrez solidement les boulons desserrés ou autres matériels de fixation. **NE PAS** utiliser le lit de bébé si des pièces sont manquantes, endommagées ou brisées. Contactez un représentant du Service à la clientèle au 1-800-295-1980 pour des pièces de rechange et des instructions au besoin. **NE PAS** substituer de pièces.
- * Les enfants peuvent s'asphyxier avec du linge de lit épais. Ne jamais ajouter un oreiller ou un édredon dans le lit. Ne jamais ajouter du linge capitonné dans le lit de l'enfant.
- * Cessez d'utiliser le lit d'enfant quand l'enfant commence à grimper pour sortir ou a atteint 89 cm (35 pouces) de hauteur.
- * Pour réduire le risque de SMSN, les pédiatres recommandent de placer les enfants en bonne santé sur le dos pour dormir, à moins que le conseil du médecin soit différent.
- * **NE JAMAIS** placer le lit près d'une fenêtre où des cordons de stores ou de rideaux pourraient étrangler un enfant.
- * Les cordons peuvent causer la strangulation! **NE PAS** placer des objets attachés par une corde autour du cou de l'enfant, tels que bonnets avec cordons ou sucettes. **NE PAS** accrocher des cordes au-dessus du berceau ni attacher des cordes aux jouets.
- * Pour éviter le danger de strangulation serrez toutes les attaches. Des parties du corps de l'enfant ou ses vêtements peuvent demeurer attrapés aux attaches desserrées.
- * Si vous refaites la finition, utilisez un produit non-toxique spécifique pour des produits pour enfants.
- * Lorsque l'enfant est capable de se mettre debout, placez le matelas à sa plus basse position et enlevez toutes les bordures de protection, des grands jouets et d'autres objets qui pourraient aider l'enfant à grimper.
- * Ne jamais utiliser des grands sacs en plastique ou de la pellicule plastique comme protecteur de matelas, car ils peuvent provoquer l'asphyxie.
- * Remplacer la barre de dentition si elle est endommagée ou desserrée (si une barre de dentition est fournie avec ce modèle).
- * **ATTENTION: TOUT MATELAS UTILISÉ DANS CE LIT D'ENFANT DOIT MESURER AU MOINS 69 CM PAR 131 CM (27-1/4 PO X 51-5/8 PO) AVEC UNE ÉPAISSEUR MAIS NE DÉPASSANT PAS 15 CM (6 PO.).**
- * Les enfants peuvent s'asphyxier s'ils restent attrapés dans des espaces entre les côtés du lit et un matelas qui est trop petit.
- * Respectez les avertissements de tous les produits concernant un berceau.
- * **DES ENFANTS SONT MORTS DANS LEUR LIT PARCE QU'ILS SONT RESTÉS ATTRAPÉS.** La tête ou le cou d'un enfant peuvent rester attrapés dans des espaces entre les parties du lit.
- * **NE JAMAIS** utiliser le lit pour un enfant de moins de 15 mois ou qui pèse plus de 50 lbs.
- * **TOUJOURS** suivre les instructions d'assemblage.

- * **DANGER DE STRANGULATION.** NE JAMAIS placer le lit proche d'une fenêtre où les cordons des stores ou des rideaux pourraient stranguler un enfant.
- * NE JAMAIS accrocher des cordes au-dessus d'un lit.
- * NE JAMAIS placer des objets avec un cordon, une corde ou un ruban au cou d'un enfant, tels que bonnets avec des cordons ou des sucettes. Ces objets peuvent rester pris entre les parties du lit.

* **ATTENTION**

DANGER DE BLOQUAGE. Pour éviter des espaces dangereux, tout matelas utilisé avec ce lit doit être un matelas pleine grandeur d'au moins 51-5|8 pouces (1310 mm) de longueur, 27-1|4 pouces (690 mm) de largeur et un épaisseur maximum de 6 pouces (150 mm).

NOTES

- * S'assurer que toutes les pièces sont présentes avant de commencer l'assemblage.
- * Assembler sur une surface douce et lisse pour empêcher d'endommager la finition du produit.
- * **NE PAS** utiliser d'outils électriques.
- * ATTENTION: Doit être assemblé par un adulte.
- * Deux personnes sont nécessaires pour l'assemblage.
- * Temps d'assemblage estimé: 45 minutes.

SOIN ET ENTRETIEN

Époussetez régulièrement avec un chiffon doux, sans peluche pour empêcher la poussière de s'accumuler. Un chiffon humide peut être utilisé occasionnellement pour nettoyer la surface. Séchez immédiatement. Ne pas utiliser de produits abrasifs qui peuvent endommager la finition. Une exposition excessive à la lumière du soleil et aux changements extrêmes de température peut endommager le mobilier en bois.

ENTRETIEN

Vérifiez les boulons/vis périodiquement et serrez-les si nécessaire.

GARANTIE LIMITÉE

Dorel garantit que ce produit est exempt de défauts de matériel et de fabrication et s'engage à remédier à un tel défaut. Cette garantie couvre un (1) an à compter de la date d'achat originale. Cette garantie est valide uniquement sur présentation d'une preuve d'achat. Celle-ci est limitée uniquement à la réparation ou au remplacement de pièces défectueuses et aucun travail de montage n'est inclus. Cette garantie ne s'applique pas à un produit qui a été incorrectement assemblé, a fait l'objet d'une mauvaise utilisation ou d'abus ou qui a été altéré ou réparé d'une façon ou d'une autre. Cette garantie vous donne des droits légaux spécifiques et vous pouvez aussi avoir d'autres droits qui varient d'une province à l'autre.

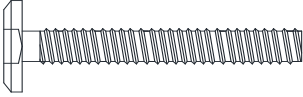
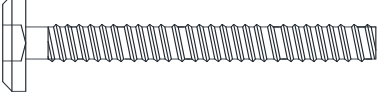
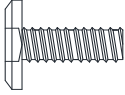




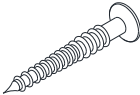

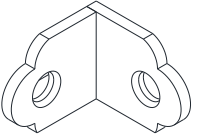


AVERTISSEMENT! Si ce produit est endommagé, et/ou des pièces sont brisées ou manquantes, NE PAS UTILISER.

BERCEAU CONVERTIBLE 5 EN 1

DA1526B4-W / DA1526B4-BL

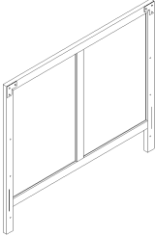

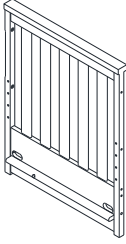

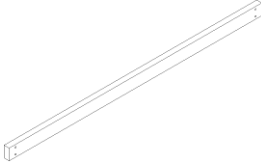
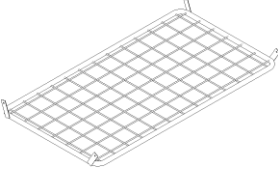
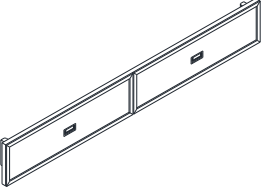
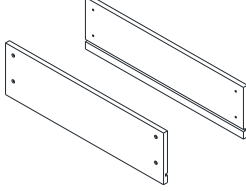
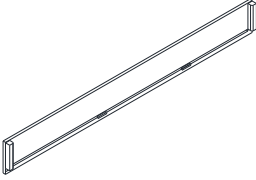
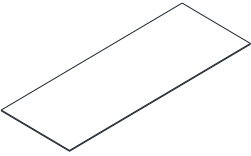

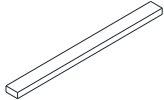
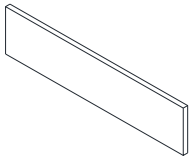
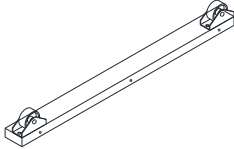
LISTE DE QUINCAILLERIE

1	 Ø1/4" X 15mm X 40mm	2	 Ø1/4" X 15mm X 60mm
BOULON 12 PCES		BOULON 4 PCES	
3	 Ø1/4" X 15mm X 15mm	4	 25 X 10 X 7.5mmT
BOULON SUPPORT MATELAS 16 PCES		ÉCROU INCURVÉ 4 PCES	
5	 Ø5/16" X 13 X 1.5mmT	6	 Ø1/4" X 11 X 1.2mmT
RONDELLE À RESSORT 12 PCES		RONDELLE À RESSORT 16 PCES	
7		8	 Ø4 X 25mm
CLÉ ALLEN 1 PCE		VIS 14 PCES	
9	 Ø4 X 12mm	10	
VIS 24 PCES		ÉQUERRE EN MÉTAL 12 PCES	

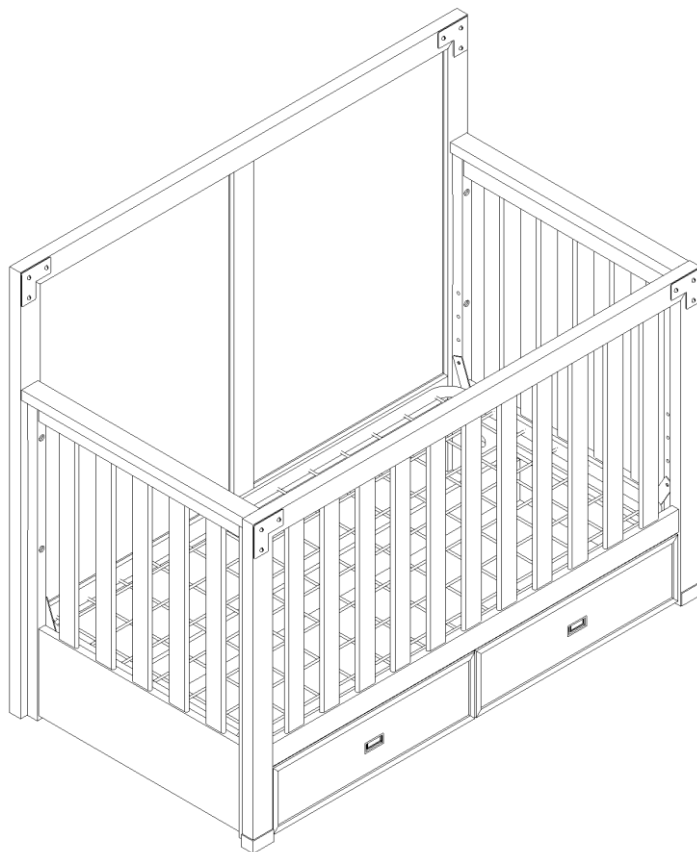
BERCEAU CONVERTIBLE 5 EN 1

DA1526B4-W / DA1526B4-BL

LISTE DE PIÈCES

<p style="text-align: center;">A</p> 	<p style="text-align: center;">B</p> 	<p style="text-align: center;">C</p> 
<p style="text-align: center;">TÊTE DE LIT 1 PCE</p>	<p style="text-align: center;">PANNEAU LATÉRAL GAUCHE -1 PCE</p>	<p style="text-align: center;">PANNEAU LATÉRAL DROIT -1 PCE</p>
<p style="text-align: center;">D</p> 	<p style="text-align: center;">E</p> 	<p style="text-align: center;">F</p> 
<p style="text-align: center;">PIED DE LIT 1 PCE</p>	<p style="text-align: center;">BARRE INFÉRIEURE 1 PCE</p>	<p style="text-align: center;">SUPPORT DU MATELAS 1 PCE</p>
<p style="text-align: center;">G</p> 	<p style="text-align: center;">H</p> 	<p style="text-align: center;">I</p> 
<p style="text-align: center;">DEVANT DE TIROIR 1PCE</p>	<p style="text-align: center;">CÔTÉ DE TIROIR 2PCES</p>	<p style="text-align: center;">CÔTÉ ARRIÈRE DE TIROIR 1PCE</p>
<p style="text-align: center;">J</p> 	<p style="text-align: center;">K</p> 	<p style="text-align: center;">L</p> 
<p style="text-align: center;">FOND DE TIROIR 1PCE</p>	<p style="text-align: center;">ARRÊT DE TIROIR 2PCES</p>	<p style="text-align: center;">BARRE DE SUPPORT CENTRALE 2PCES</p>
<p style="text-align: center;">M</p> 	<p style="text-align: center;">N</p> 	
<p style="text-align: center;">PANNEAU CENTRAL 1PCE</p>	<p style="text-align: center;">BARRE AVEC ROULETTES - 2PCES</p>	

BERCEAU CONVERTIBLE 5 EN 1 DA1526B4-W / DA1526B4-BL



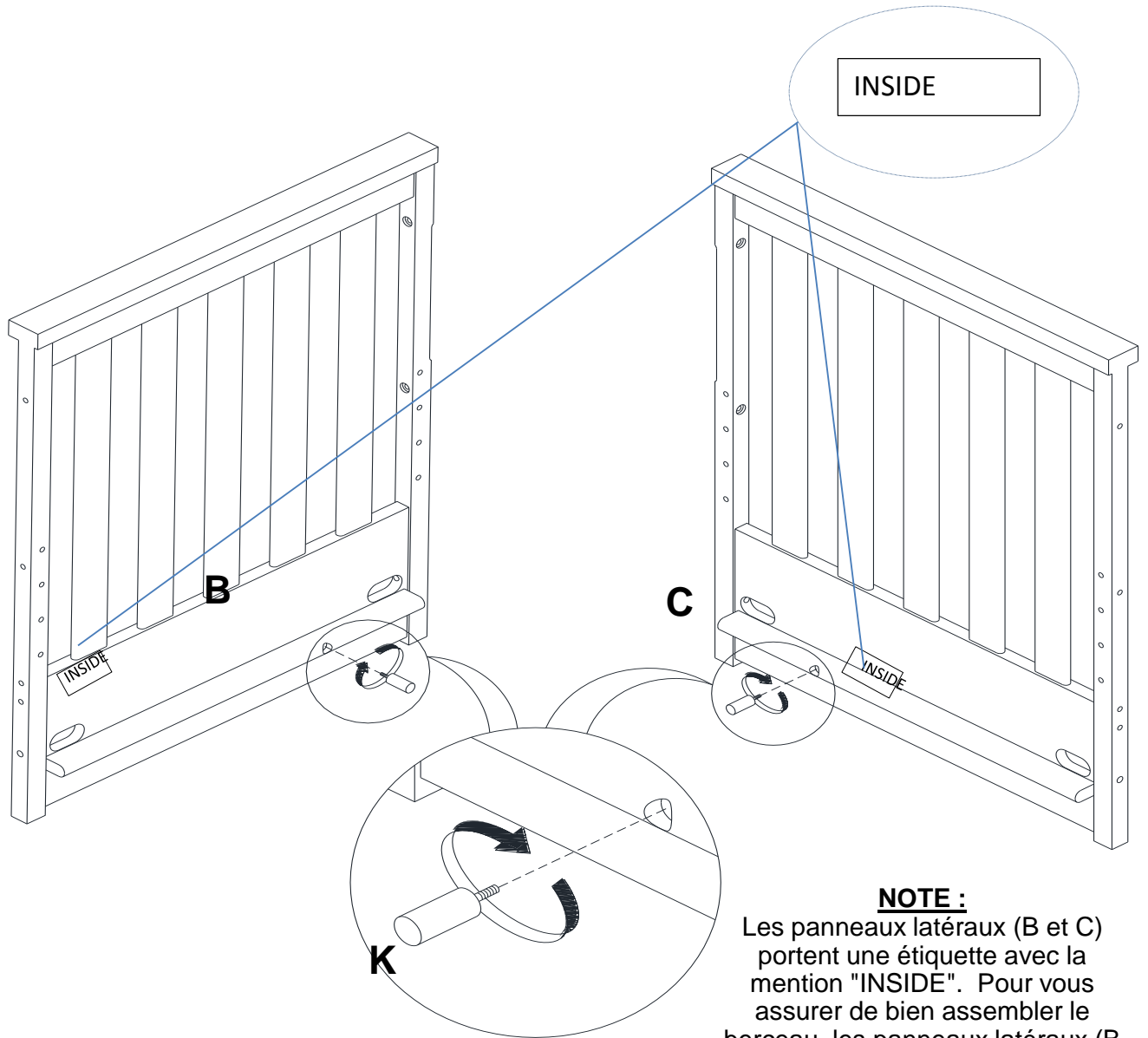
INSTRUCTIONS D'ASSEMBLAGE DU LIT DE BÉBÉ

NOTE : Lorsque vous insérez des boulons, tournez dans le sens des aiguilles d'une montre jusqu'à ce que le boulon soit serré. Ensuite, desserrez entre 1/2 et 3/4 de tour. Une fois le berceau totalement assemblé, resserrez bien chaque boulon. Utilisez de la cire ou du savon sur tous les boulons pour faciliter l'assemblage.

BERCEAU CONVERTIBLE 5 EN 1 DA1526B4-W / DA1526B4-BL

ÉTAPE 1

Insérez les arrêts de tiroir (K) dans le panneau latéral gauche (B) et dans le panneau latéral droit (C) comme illustré ci-dessous.



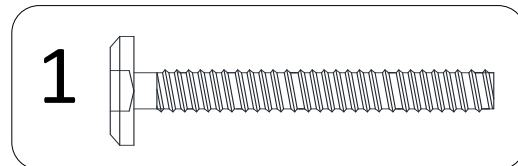
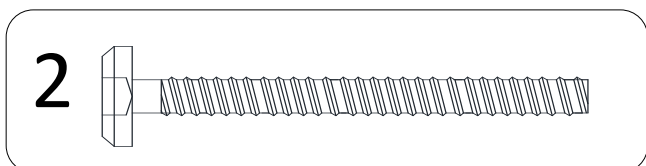
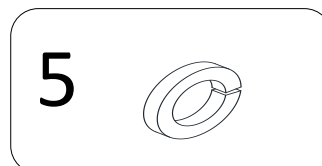
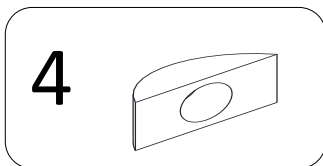
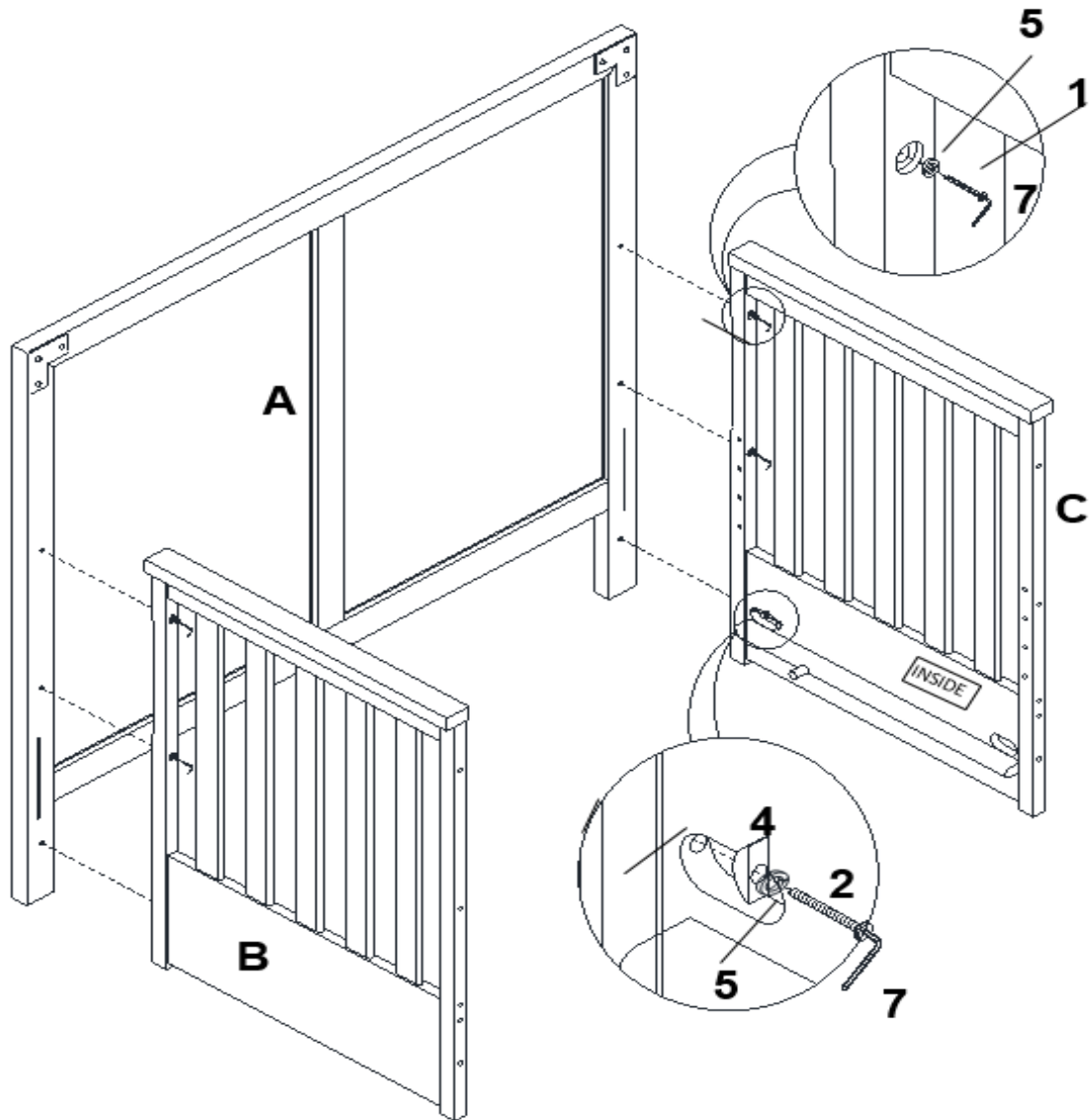
NOTE :

Les panneaux latéraux (B et C) portent une étiquette avec la mention "INSIDE". Pour vous assurer de bien assembler le berceau, les panneaux latéraux (B et C) doivent être fixés à la tête du lit de manière à ce que l'étiquette "INSIDE" soit orientée vers l'intérieur du berceau dans l'étape suivante.

BERCEAU CONVERTIBLE 5 EN 1 DA1526B4-W / DA1526B4-BL

ÉTAPE 2

Attachez les panneaux latéraux (B et C) à la tête du lit (A) avec des boulons (1 et 2), des rondelles à ressort (5) et des écrous incurvés (4) à l'aide de la clé Allen (7), comme illustré ci-dessous.



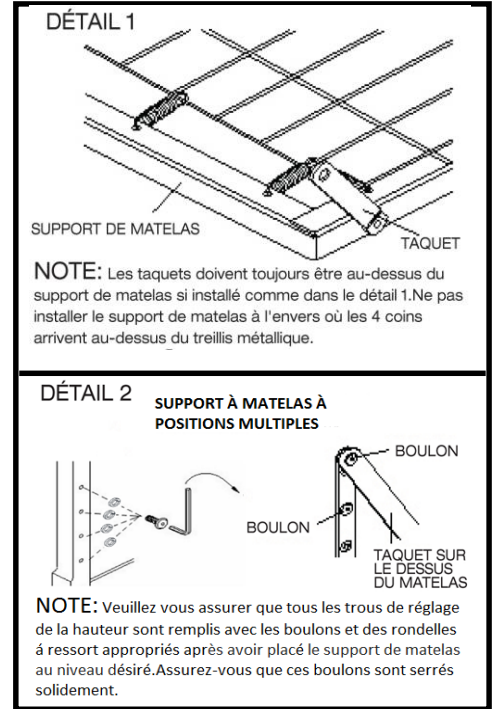
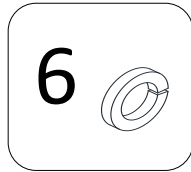
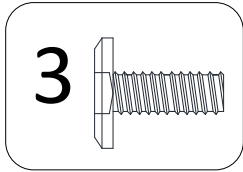
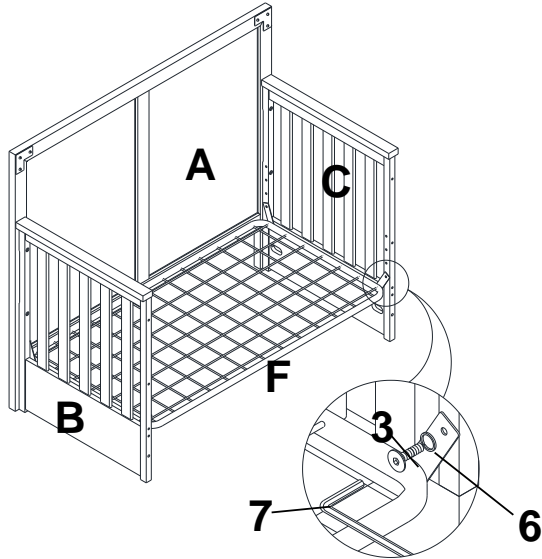
BERCEAU CONVERTIBLE 5 EN 1

DA1526B4-W / DA1526B4-BL

ÉTAPE 3:

Fixez le support de matelas (F) aux poteaux (B & C) avec les boulons de support de matelas (3) et les rondelles de ressort (6).

Utilisez la clé Allen (7) pour serrer tous les boulons.



CORRECT

L'étiquette "CE COTE SUR LE DESSUS" montre quel côté doit aller vers l'extérieur.



CORRECT

Les languettes placées aux angles du support du matelas devraient être placées vers le haut.

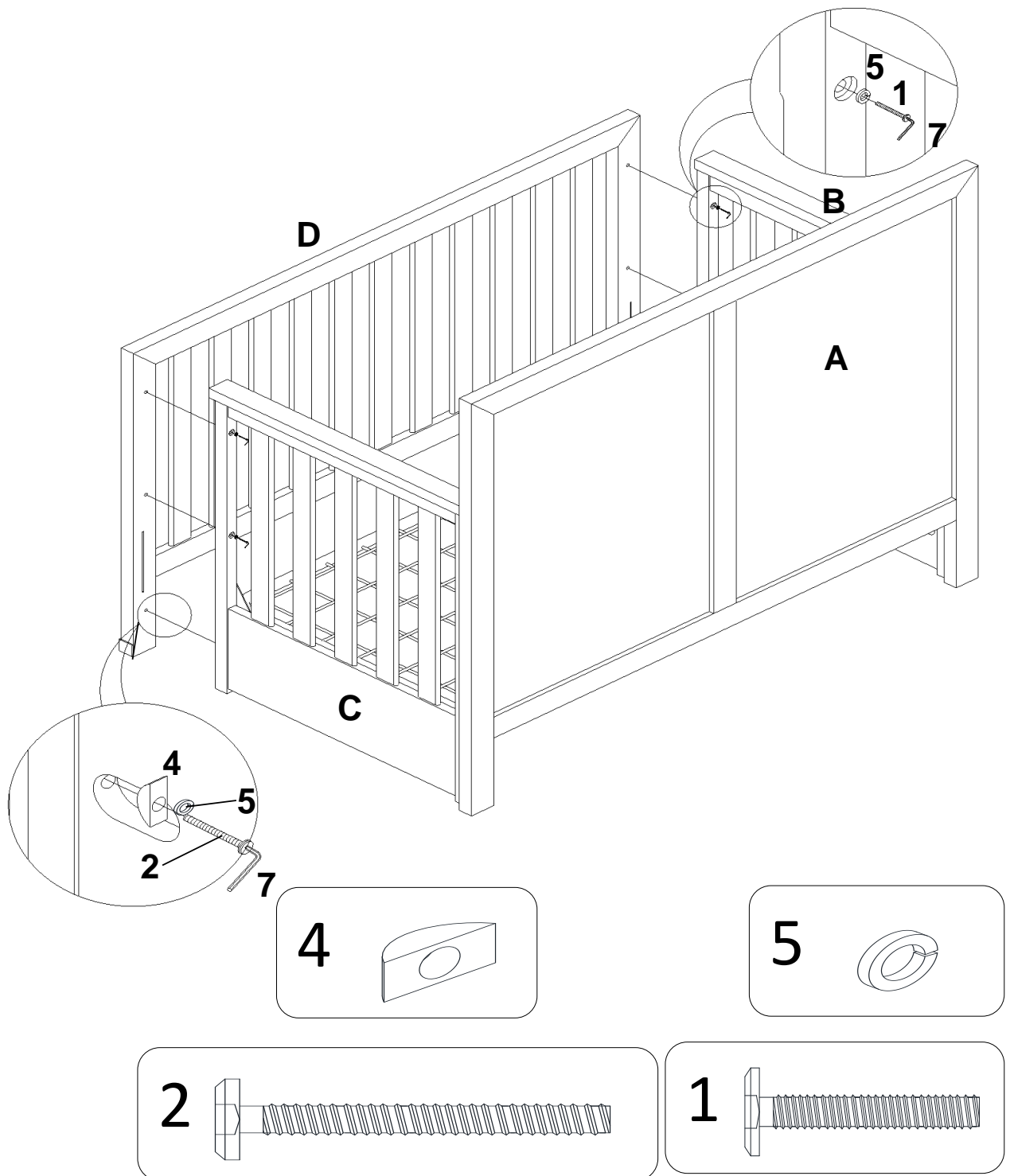
NOTE: Les photos et les dessins ci-dessus illustrant la façon de fixer correctement le support de matelas sont à titre de référence seulement. Les styles de lit d'enfant et les couleurs peuvent varier.

BERCEAU CONVERTIBLE 5 EN 1

DA1526B4-W / DA1526B4-BL

ÉTAPE 4

Attachez le pied du lit (D) aux panneaux latéraux (B et C) avec des boulons (1 et 2), des écrous incurvés (4) et des rondelles à ressort (5) à l'aide de la clé Allen (7), comme illustré ci-dessous.



BERCEAU CONVERTIBLE 5 EN 1 DA1526B4-W / DA1526B4-BL

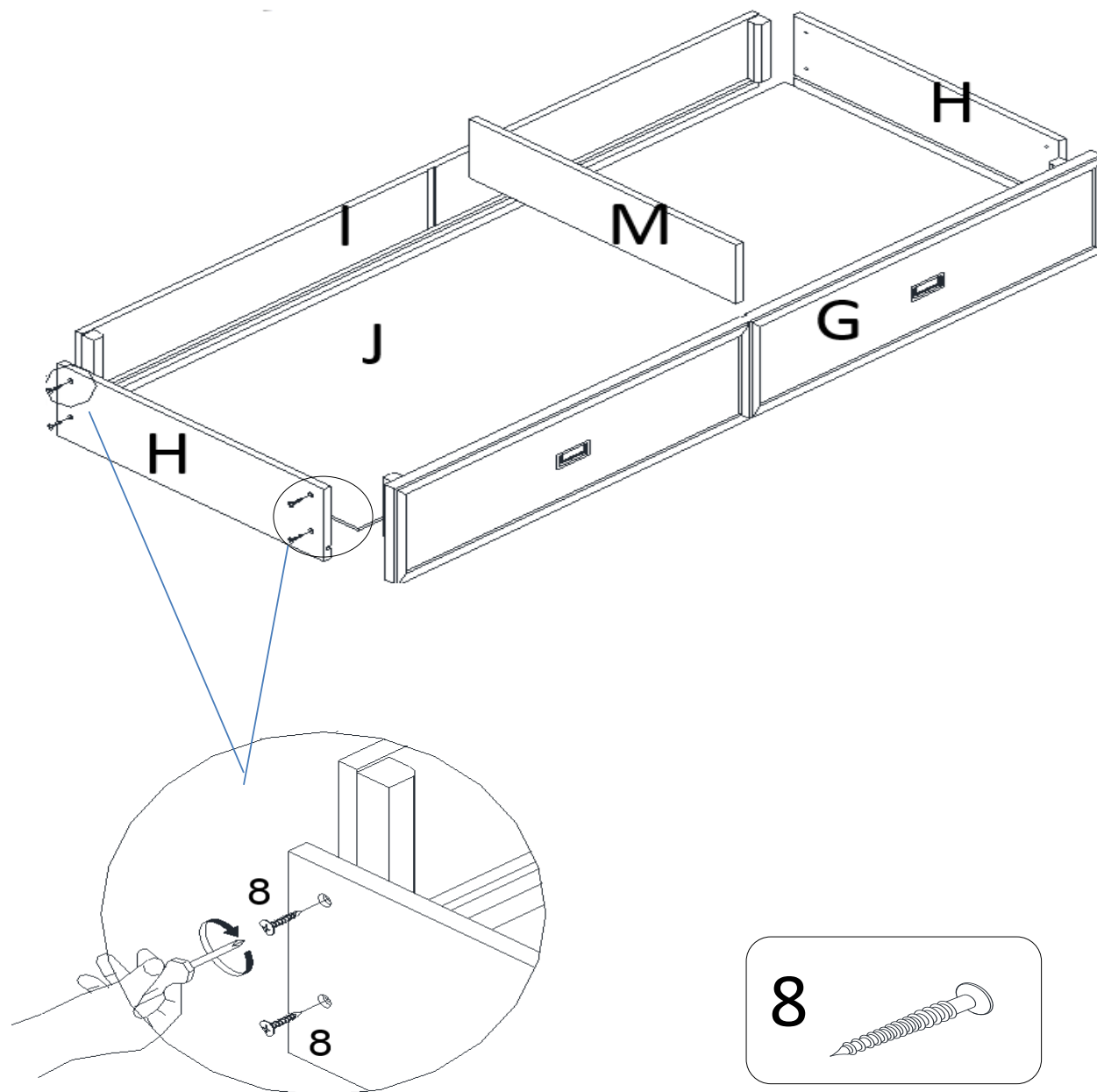
ÉTAPE 5

Attachez le côté arrière du tiroir (I) aux côtés du tiroir (H) avec des vis (8) à l'aide d'un tournevis cruciforme (non compris).

Glissez le fond du tiroir (J) dans les rainures des côtés du tiroir (H) et du côté arrière du tiroir (I).

Attachez le devant du tiroir (G) avec des vis (8) à l'aide d'un tournevis cruciforme (non compris).

Glissez le panneau central du tiroir (M) dans les rainures du devant du tiroir (G) et du côté arrière du tiroir (I).



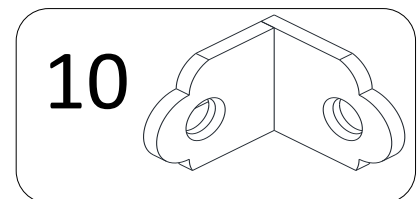
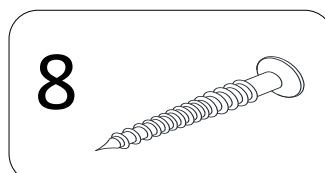
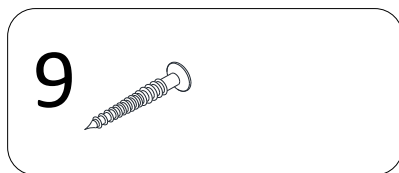
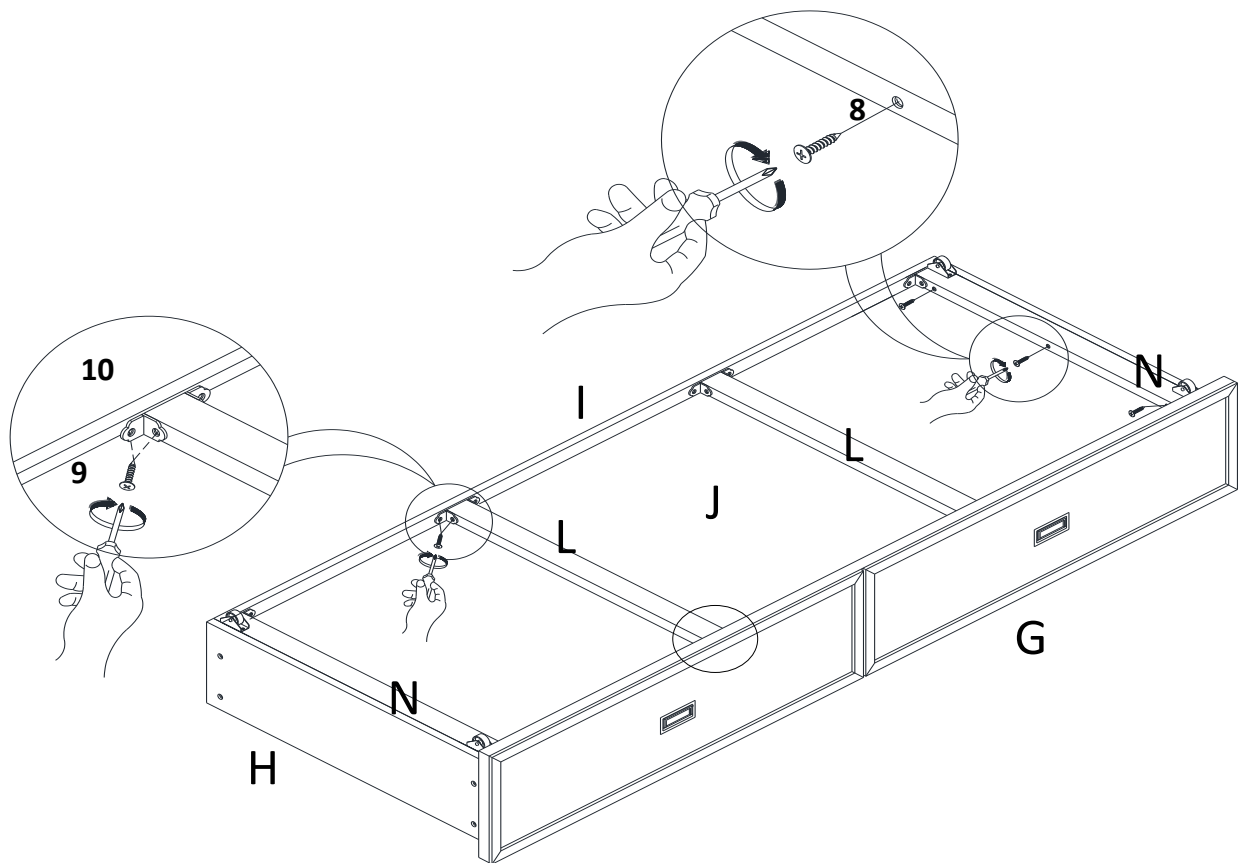
BERCEAU CONVERTIBLE 5 EN 1 DA1526B4-W / DA1526B4-BL

ÉTAPE 6

Tournez le tiroir du lit à l'envers.

Attachez les barres de support (L) et les barres avec des roulettes (N) au côté arrière du tiroir (I) et au côté avant du tiroir (G) avec des équerres en métal (10) et des vis (9) à l'aide d'un tournevis cruciforme (non compris), comme illustré ci-dessous.

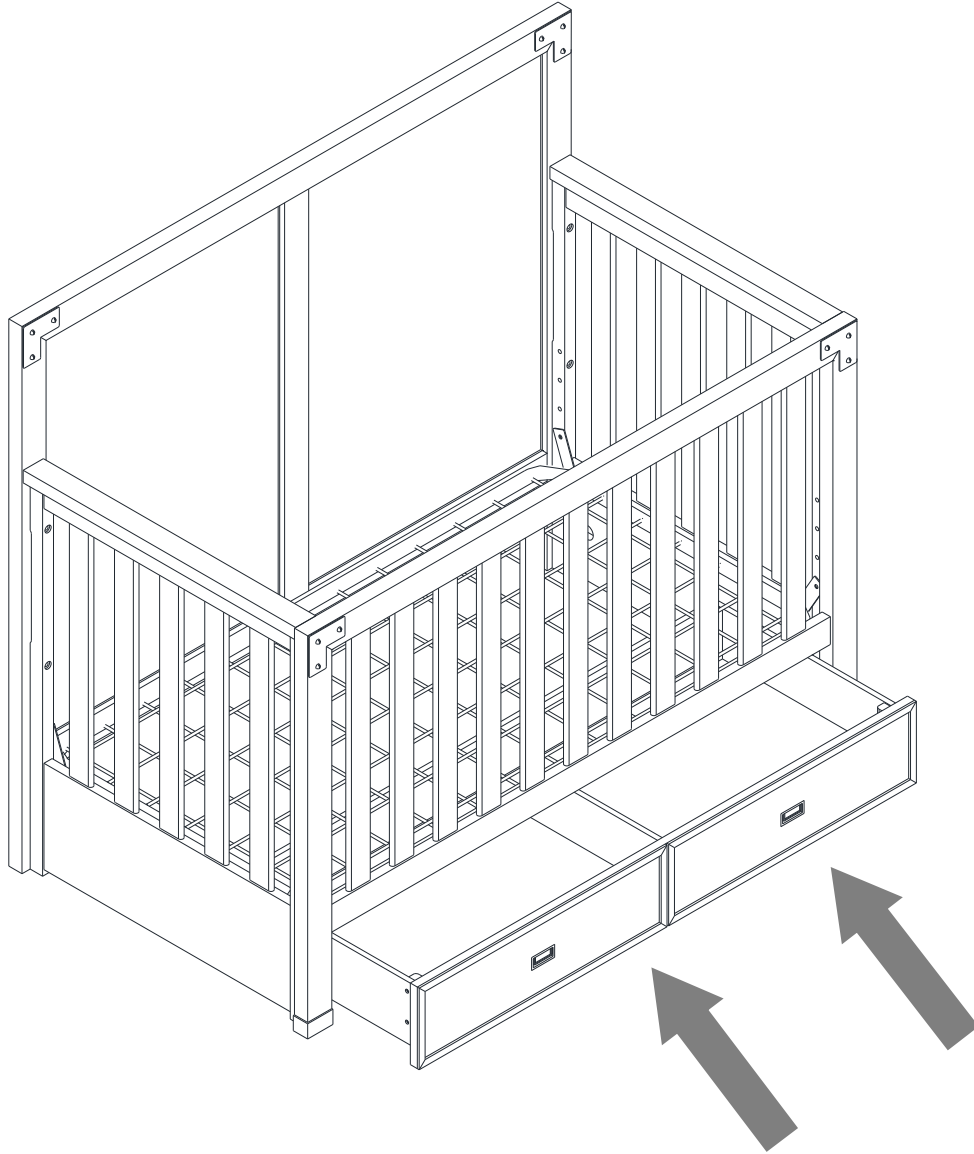
Fixez les barres avec des roulettes (N) aux côtés du tiroir (H) avec des vis (8), à l'aide d'un tournevis cruciforme (non compris).



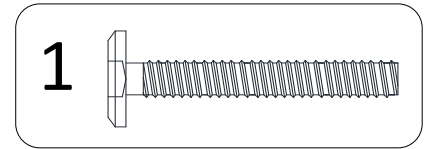
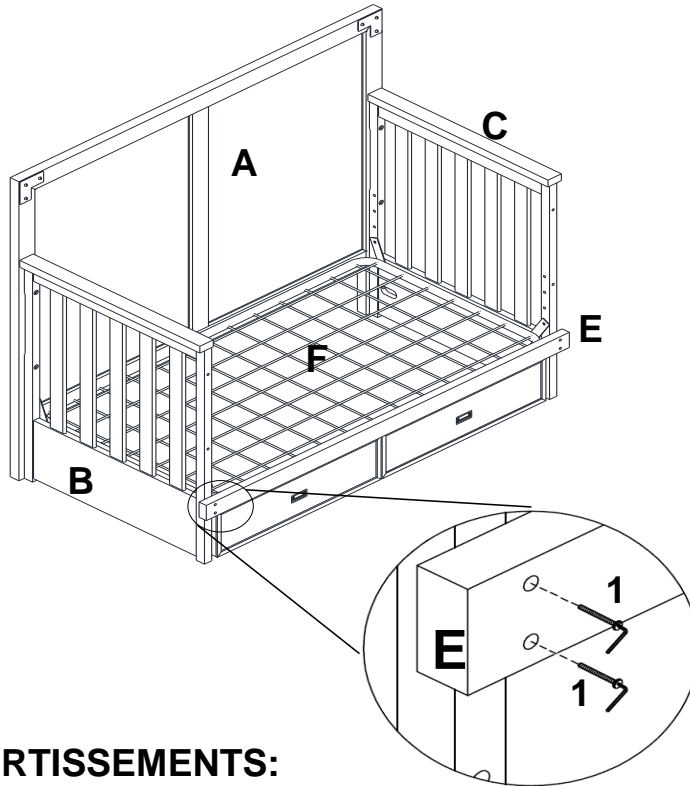
BERCEAU CONVERTIBLE 5 EN 1 DA1526B4-W / DA1526B4-BL

ÉTAPE 7

Glissez le tiroir sous le berceau jusqu'à ce qu'il touche les arrêts de tiroir (K).



BERCEAU CONVERTIBLE 5 EN 1 DA1526B4-W / DA1526B4-BL



AVERTISSEMENTS:

- * TOUT MATELAS UTILISÉ AVEC CE LIT DOIT MESURER AU MOINS 27-1/4 POUCHES PAR 51-5/8 POUCHES (69CM PAR 131CM), ET AVOIR UNE ÉPAISSEUR MAXIMALE DE 6 POUCHES (15CM).
- * Le lit pour jeunes enfants ou le lit de jour ne sont pas conçus pour des enfants âgés de moins de 15 mois ou qui pèsent plus de 50 lbs (22.7 kgs).

ASSEMBLAGE DU LIT POUR JEUNES ENFANTS ET LIT DE JOUR : À PARTIR DU BERCEAU

- ÉTAPE 1 :** Détachez le panneau latéral gauche (B) et le panneau latéral droit (C) à l'aide de la clé Allen (7).
- ÉTAPE 2 :** Si le support du matelas (F) n'est pas placé à sa position la plus basse, dévissez les boulons (3) du panneau latéral gauche (B) et du panneau latéral droit (C) et placez le support à la position la plus basse.
- ÉTAPE 3 :** Attachez la barre inférieure (E) au panneau latéral gauche (B) et au panneau latéral droit (C) avec des boulons (1). Servez-vous de la clé Allen (7) pour serrer tous les boulons.
- ÉTAPE 4 :** Assurez-vous que tous les boulons soient bien serrés.

ASSEMBLAGE DU LIT POUR JEUNES ENFANTS ET LIT DE JOUR : À PARTIR DE ZÉRO

- ÉTAPE 1 :** Suivez les étapes 1 à 3 des instructions d'assemblage du berceau.
- ÉTAPE 3 :** Attachez la barre inférieure (E) au panneau latéral gauche (B) et au panneau latéral droit (C) avec des boulons (1). Servez-vous de la clé Allen (7) pour serrer tous les boulons.
- ÉTAPE 4 :** Assurez-vous que tous les boulons soient bien serrés.

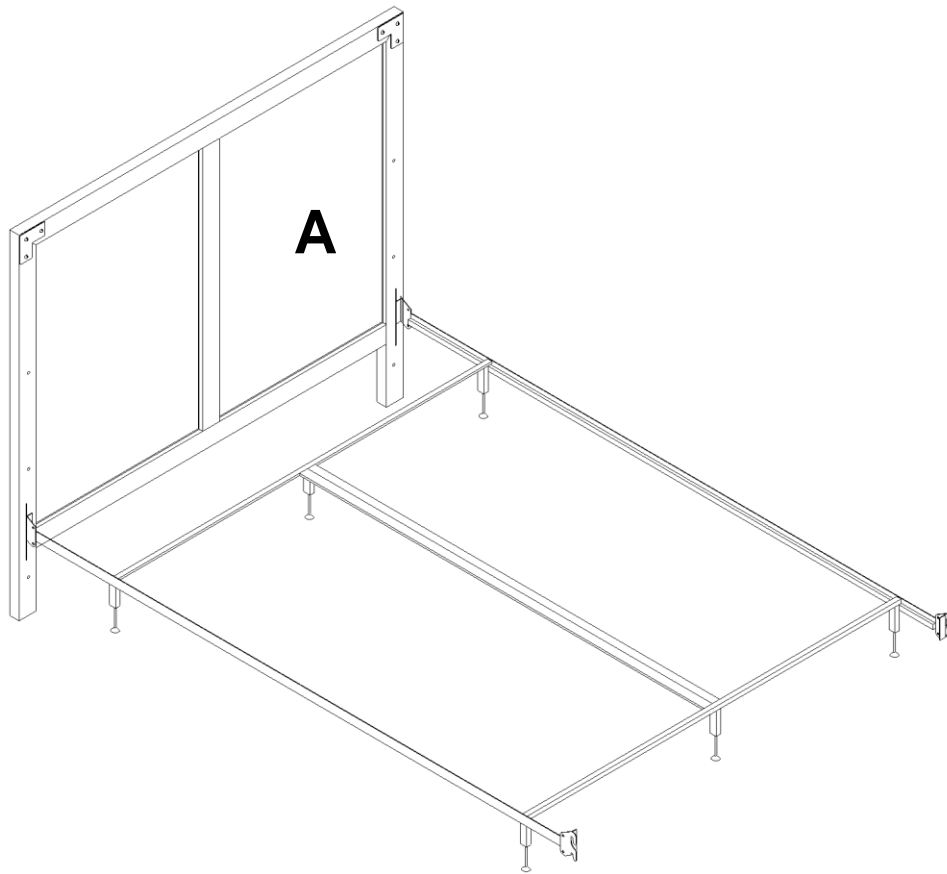
BERCEAU CONVERTIBLE 5 EN 1 DA1526B4-W / DA1526B4-BL

INSTRUCTIONS D'ASSEMBLAGE DU GRAND LIT (TÊTE DE LIT SEULEMENT)

NOTE : LES BARRIÈRES POUR LA CONVERSION À GRAND LIT NE SONT PAS COMPRIS. LES ILLUSTRATIONS SONT MONTRÉES À TITRE DE RÉFÉRENCE SEULEMENT. LES BARRIÈRES DU LIT PEUVENT ÊTRE DIFFÉRENTES DE CELLES ILLUSTRÉES.

ÉTAPE 1

Attachez un cadre de lit de métal (non compris) à la tête du lit (A) pour convertir le berceau en un grand lit utilisant seulement la tête du lit.



IMPORTANT : CONSERVEZ TOUTES LES PIÈCES SUPPLÉMENTAIRES QUE VOUS N'UTILISEZ PAS POUR POUVOIR TRANSFORMER LE LIT À NOUVEAU À L'AVENIR SI VOUS LE DÉSIREZ. CONSERVEZ TOUJOURS LES INSTRUCTIONS D'ASSEMBLAGE DANS LA POCLETTE FIXÉE AU SUPPORT DU MATELAS (F).

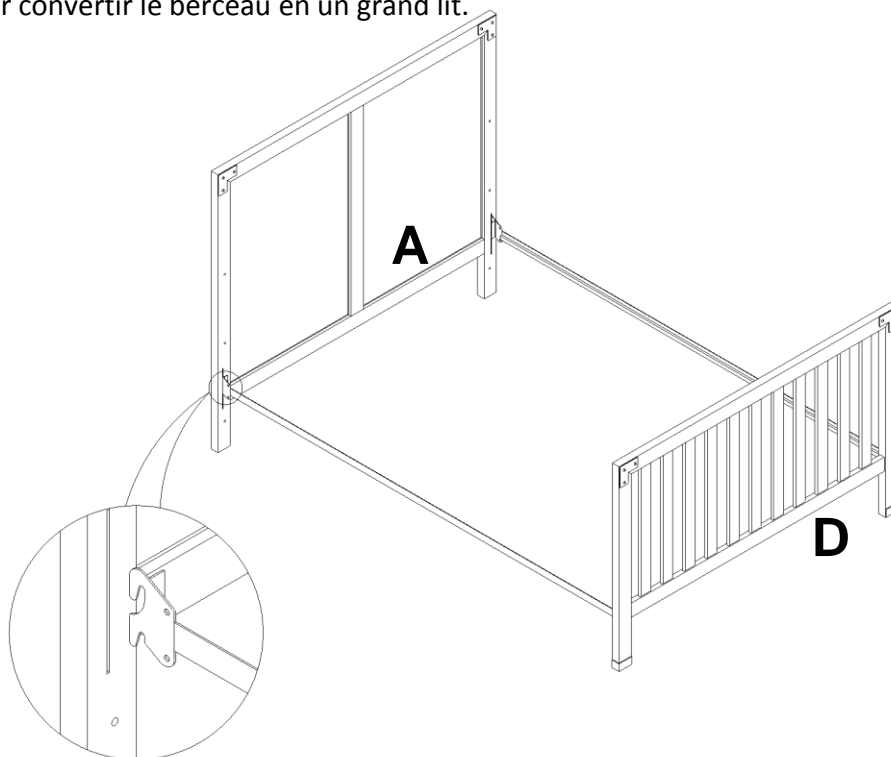
BERCEAU CONVERTIBLE 5 EN 1 DA1526B4-W / DA1526B4-BL

INSTRUCTIONS D'ASSEMBLAGE DU GRAND LIT (TÊTE DE LIT ET PIED DE LIT)

NOTE : LES BARRIÈRES POUR LA CONVERSION À GRAND LIT NE SONT PAS COMPRIS. LES ILLUSTRATIONS SONT MONTRÉES À TITRE DE RÉFÉRENCE SEULEMENT. LES BARRIÈRES DU LIT PEUVENT ÊTRE DIFFÉRENTES DE CELLES ILLUSTRÉES.

ÉTAPE 1

Attachez des barres de métal de grandeur standard (non comprises) à la tête du lit (A) et à la barre avant du lit (D) pour convertir le berceau en un grand lit.



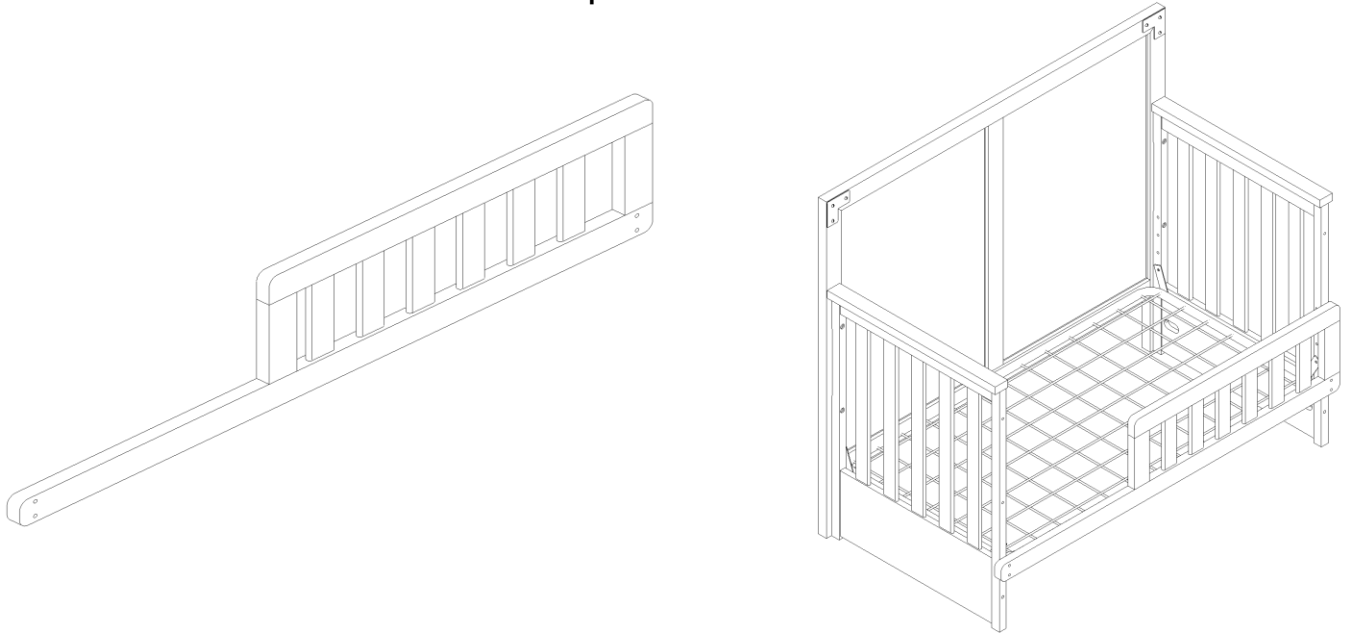
NOTE : Achetez les barrières en bois assorties pour une belle apparence. Voyez la page suivante pour obtenir les détails !

IMPORTANT : CONSERVEZ TOUTES LES PIÈCES SUPPLÉMENTAIRES QUE VOUS N'UTILISEZ PAS POUR POUVOIR TRANSFORMER LE LIT À NOUVEAU À L'AVENIR SI VOUS LE DÉSIREZ. CONSERVEZ TOUJOURS LES INSTRUCTIONS D'ASSEMBLAGE DANS LA POCHETTE FIXÉE AU SUPPORT DU

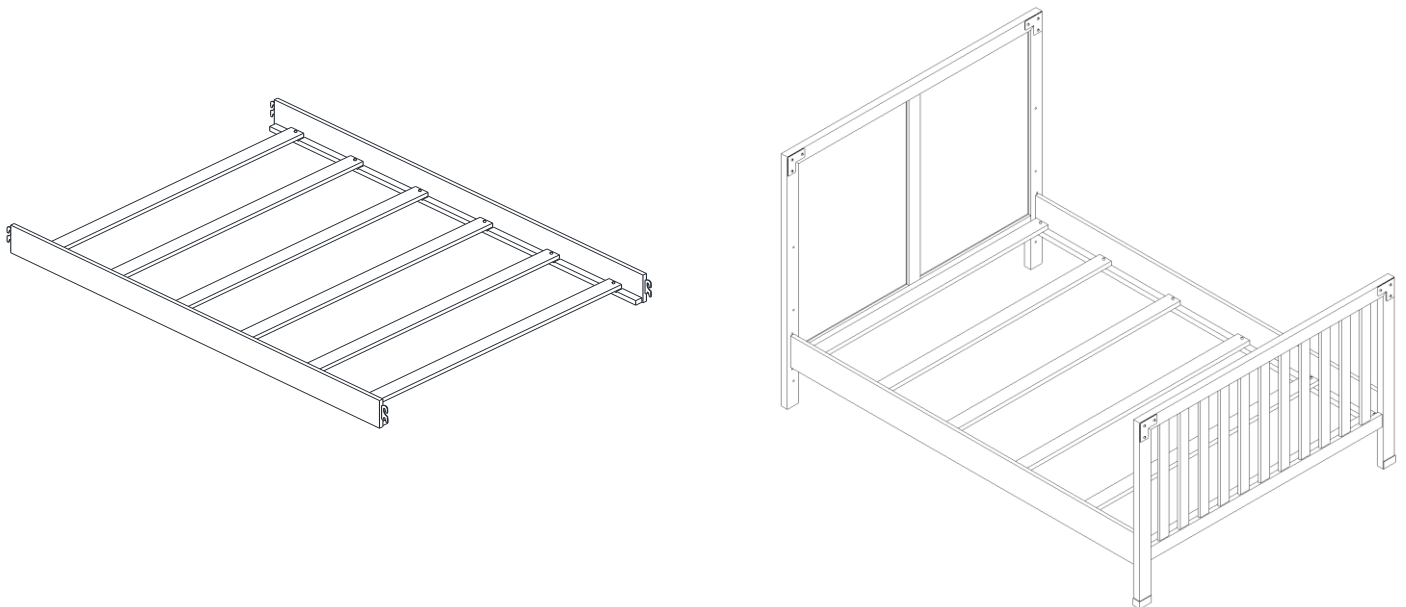
BERCEAU CONVERTIBLE 5 EN 1

DA1526B4-W / DA1526B4-BL

Convertissez le berceau en un lit pour jeune enfant avec les Barrières pour lit pour jeune enfant (numéro de modèle DA1526-5W / DA1526-5BL) - vendues séparément.



Convertissez le berceau en un grand lit avec les Barrières en bois pour grand lit (numéro de modèle DA1526-8W / DA1526-8BL) – vendues séparément.



BERCEAU CONVERTIBLE 5 EN 1

DA1526B4-W / DA1526B4-BL



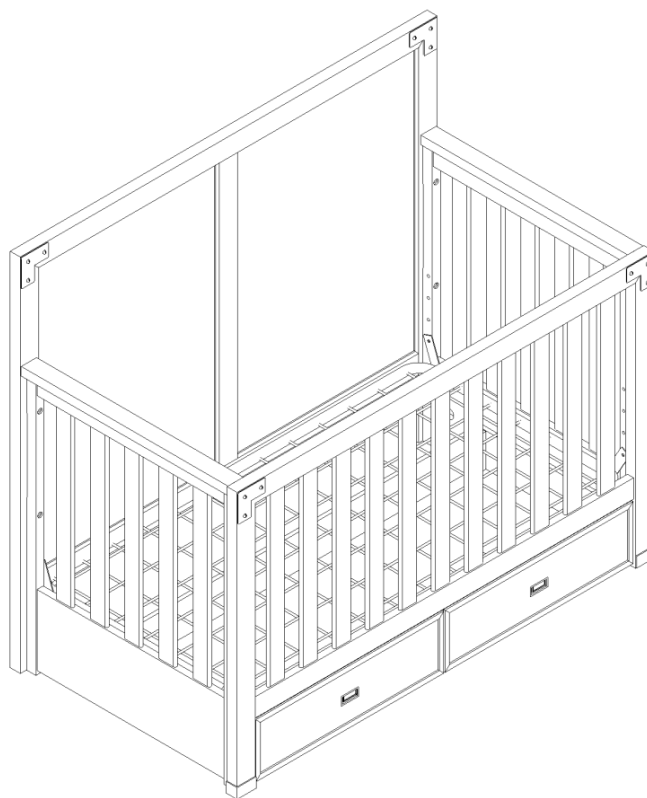
ATTENTION: Cette unité est destinée à être utilisée uniquement avec les produits et/ou les poids maximum indiqués. L'utilisation avec d'autres produits et/ou des produits plus lourds que les poids maximum indiqués peut entraîner une instabilité ou causer des blessures.

TOUT MATELAS UTILISÉ DANS CE LIT D'ENFANT DOIT MESURER AU MOINS 69 CM PAR 131 CM (27-1/4 PO X 51-5/8 PO) AVEC UNE ÉPAISSEUR NE DÉPASSANT PAS 15 CM (6 PO.).

Cessez d'utiliser le lit d'enfant quand l'enfant commence à grimper pour sortir ou a atteint 89 cm (35 pouces) de hauteur.

Le LIT POUR ENFANT ou le LIT DE JOUR n'est pas destiné aux enfants âgés de moins de 15 mois ou pesant plus de 22.7 kg (50 lb).

Le poids maximum de l'enfant doit être inférieur à 22.7 kg (50 lb) si utilisé comme lit de bébé.



Voilà! Vous avez terminé d'assembler votre berceau 5 en 1!

NE PAS RETOURNER CE PRODUIT AU MAGASIN.

Si une pièce est manquante ou endommagée, contactez notre Service à la clientèle. Nous remplacerons la pièce **GRATUITEMENT**.

Tél #: 1-800-295-1980
Courriel: das@dorel.com



MANUAL DE INSTRUCCIONES

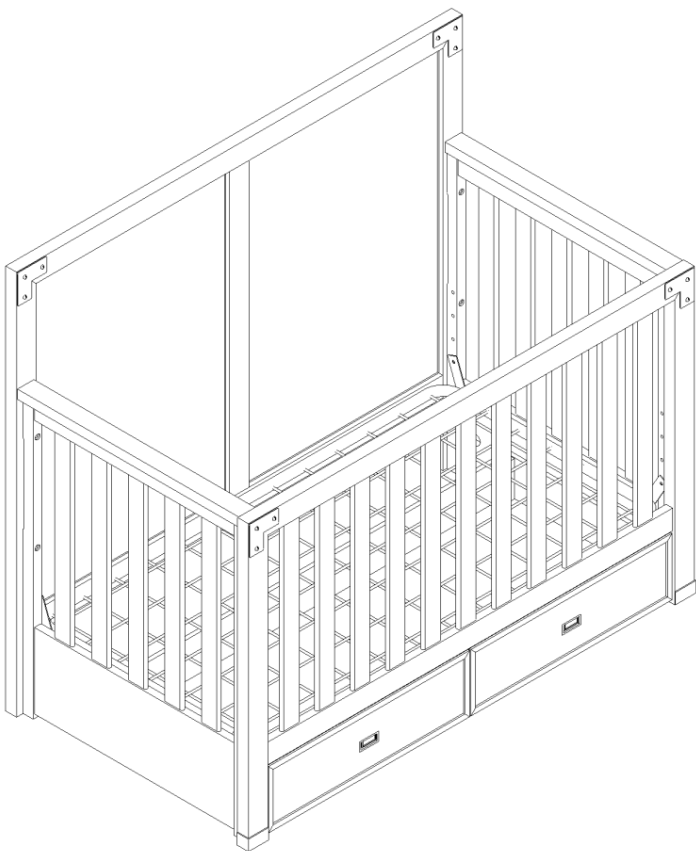
bertini®

Modelo No:

DA1526B4-W (Blanco)

DA1526B4-BL (Azul)

**CUNA
CONVERTIBLE 5 EN 1**



CODIGO UPC:

0-65857-17304-8 (Blanco)

0-65857-17331-4 (Azul)

NOTA:

ESTE MANUAL DE INSTRUCCIONES
CONTIENE INFORMACIÓN DE
SEGURIDAD **IMPORTANTE.**
POR FAVOR LÉALO Y CONSÉRVELO
PARA REFERENCIA FUTURA.

Numero de lote:

(TOMADO DEL CARTON)

Fecha de compra:

_____ / _____ / _____



NO DEVUELVA EL PRODUCTO A LA TIENDA.

Si falta una pieza o está dañada, contacte nuestro departamento de servicio a la clientela. Reemplazaremos la pieza SIN cargo.



Tel #: 1-800-295-1980

Correo electrónico: das@dorel.com

SERVICIO AL CLIENTE

Si faltan piezas o si tiene alguna pregunta sobre este producto, ¡comuníquese con nuestro representante de servicio!

 **LLAME AL 1-800-295-1980**

También puede pedir piezas escribiendo a la siguiente dirección. Por favor incluya el número de modelo, color y una descripción detallada de la pieza.

Departamento de Servicio al Cliente No. 413
12345 Albert-Hudon Boulevard, Suite 100
Montreal, Quebec
Canada H1G 3L1

CORREO ELECTRONICO: das@dorel.com

ADVERTENCIA

- * Si no se siguen estas advertencias e instrucciones al armar la cuna, el niño podría sufrir lesiones graves o morir.
- * Lea todas las instrucciones antes de armar la cuna. **CONSERVE LAS INSTRUCCIONES PARA USO FUTURO.**
- * Antes de cada uso o de armarla, inspeccione la cuna y asegúrese de que no hayan piezas dañadas, uniones flojas, piezas que falten o bordes filosos. NO use la cuna si faltan piezas o están rotas. Pida al vendedor o escriba a nuestro representante de servicio al cliente (dirección y número de teléfono arriba indicados) para obtener piezas de recambio e instrucciones si es necesario. NO substituya piezas.
- * Los bebés pueden asfixiarse con accesorios blandos. Nunca agregue almohadas, edredones o relleno.
- * Cuando el niño pueda pararse o llegue a 35" (89 cm) de altura, no debe seguir usando esta cuna.
- * Para reducir el riesgo de SMSL, los pediatras recomiendan que los bebés con buena salud duerman boca arriba, a menos que su médico le dé otras recomendaciones.
- * **NO** coloque la cuna cerca de una ventana donde el niño podría ahorcarse con los cordones de persianas o cortinas.
- * ¡El niño puede ahorcarse con los cordones! **NO** coloque la cuna donde un cordón quede al cuello del niño, como el cordón de una capucha o chupete. **NO** cuelgue cordones sobre una cuna ni ate juguetes con cordones.
- * Para prevenir el riesgo de extrangulación ajuste todos las uniones. La ropa o partes del cuerpo del niño pueden quedar atrapados en uniones flojas.
- * Si cambia la terminación de la cuna, utilice un material no tóxico recomendado para productos para niños.
- * Cuando el niño sea capaz de pararse, coloque el colchón en la posición más baja y retire almohadillas, juguetes grandes y otros objetos que podrían servir para que el niño trepe.
- * Nunca use bolsas ni películas plásticas como cobertura para el colchón, porque pueden causar asfixia.
- * Reemplazar la barandilla para dentición si está dañada o floja (si una barandilla de dentición está incluida con este modelo)
- * **PRECAUCIÓN: TODO COLCHÓN UTILIZADO EN ESTA CUNA DEBE SER DE POR LO MENOS 27-1/4 PULGADAS POR 51-5/8 PULGADAS (69CM POR 131CM) CON UN ESPESOR NO MAS DE 6 PULGADAS (15CM).**
- * Los niños pueden asfixiarse si quedan atrapados en espacios entre los lados de la cuna y un colchón demasiado pequeño.
- * Siga las advertencias en todos los productos en una cuna.
- * **ALGUNOS NIÑOS HAN MUERTO EN LA CAMA PORQUE QUEDARON ATRAPADOS.** La cabeza o el cuello de un niño pueden quedar atrapados en espacios entre las partes de la cama.
- * NUNCA utilizar la cama para un niño menor de 15 meses o que pese más de 50 lbs.
- * SIEMPRE siga las instrucciones de ensamblaje.
- * **PELIGRO DE ESTRANGULACIÓN. NUNCA** coloque la cama cerca de una ventana donde los cordones de persianas o cortinas podrían estrangular al niño.
- * NUNCA cuelgue cordones por encima de una cama.
- * NUNCA cuelgue objetos con un cordón, cuerda o cinta al cuello del niño, tales como capuchas con cordón o chupetes. Estos objetos pueden quedar atrapados entre las partes de la cama.
- * **CAUTION**

PELIGRO DE BLOQUEO. Para evitar los espacios peligrosos, todo colchón utilizado con esta cama debe ser un colchón de tamaño normal de por lo menos 51-5/8 pulgadas (1310 mm) de largo, 27-1/4 pulgadas (690 mm) de ancho y un máximo de 6 pulgadas (150 mm).

NOTAS

- * Asegúrese de tener todas las piezas y componentes antes de comenzar a armarla.
- * Ármela sobre superficies blandas y suaves para evitar dañar el pulido del producto.
- * **No** use herramientas eléctricas.
- * Precaución: Un adulto debe armarla.
- * Se necesitan dos personas para armarla.
- * Tiempo estimado para armarla: 45 minutos.

CUIDADO Y LIMPIEZA

Quítele el polvo regularmente con un paño limpio y seco para evitar que haya acumulación. De vez en cuando se puede usar un paño húmedo para limpiar la superficie. Séquelo inmediatamente. No utilice productos abrasivos que puedan dañar el lustre. La exposición excesiva a la luz solar y a cambios extremos de temperatura y humedad puede dañar la madera del mueble.

MANTENIMIENTO

Verifique los pernos y tornillos periódicamente y ajústelos si es necesario.

GARANTÍA LIMITADA

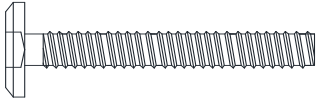
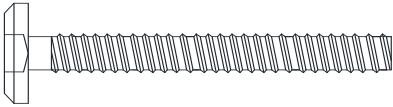
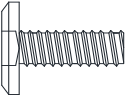
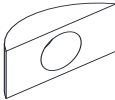





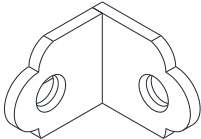
Dorel garantiza que el producto está libre de defectos de material y mano de obra y se compromete a remediar cualquier defecto de este tipo. Esta garantía cubre 1 año a partir de la fecha de compra original. Esta garantía es válida solamente con presentación de una prueba de compra. Se limita a la reparación o reemplazo de componentes defectuosos del mueble y no incluye ningún trabajo de armado. Esta garantía no se aplica a ningún producto que haya sido mal armado, sometido a mal uso o abuso, o que haya sido alterado o reparado de cualquier manera. Esta garantía le da las derechos legales específicas y usted puede también tener otras derechas que varíen de estado al estado.



ADVERTENCIA: Si este producto está dañado y/o ciertas piezas faltan o están rotas, NO LO USE.

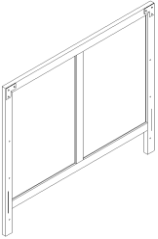

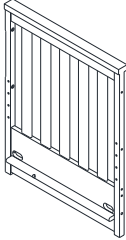
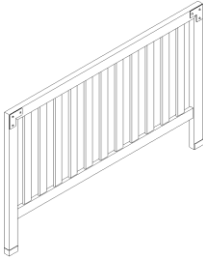
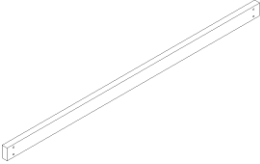
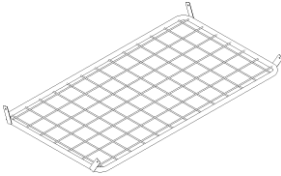
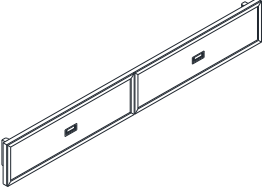
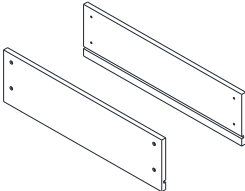
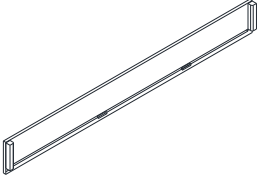
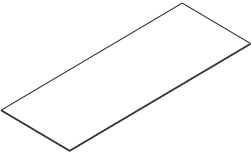

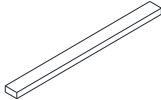
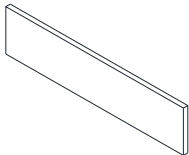
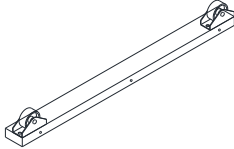
CUNA CONVERTIBLE 5 EN 1 DA1526B4-W / DA1526B4-BL

LISTA DE ACCESORIOS

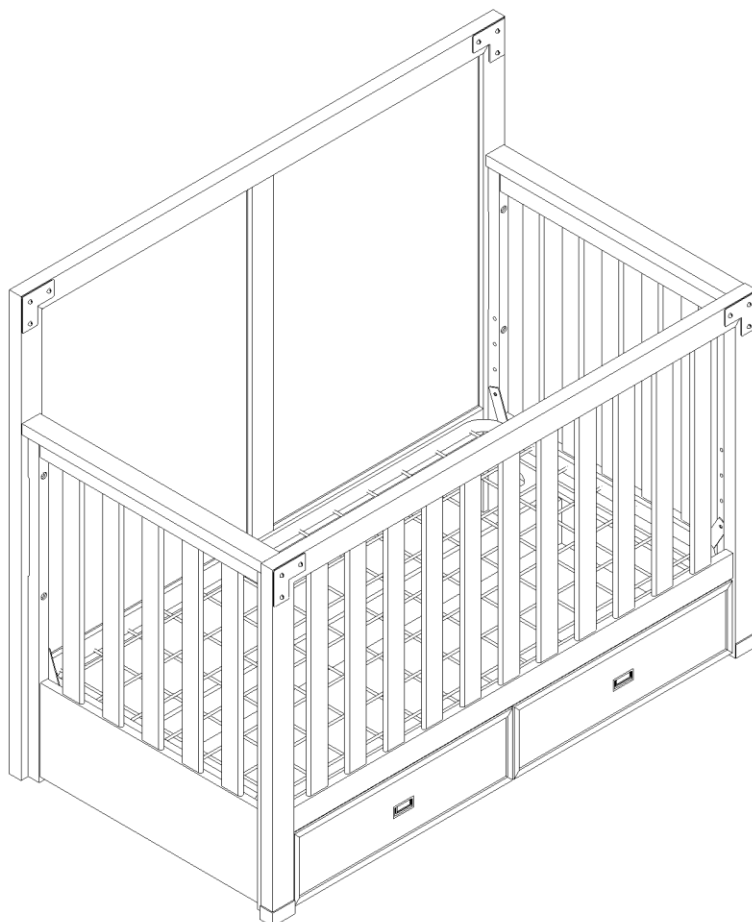
1	 Ø1/4" X 15mm X 40mm	2	 Ø1/4" X 15mm X 60mm
PERNO 12 PCS		PERNO 4 PCS	
3	 Ø1/4" X 15mm X 15mm	4	 25 X 10 X 7.5mmT
PERNO SOPORTE COLCHÓN 16 PCS		TUERCA CURVADA 4 PCS	
5	 Ø5/16" X 13 X 1.5mmT	6	 Ø1/4" X 11 X 1.2mmT
ARANDELA DE RESORTE 12 PCS		ARANDELA DE RESORTE 16 PCS	
7		8	 Ø4 X 25mm
LLAVE ALLEN 1 PC		TORNILLO 14 PCS	
9	 Ø4 X 12mm	10	
TORNILLO 24 PCS		ESCUADRA DE METAL 12 PCS	

CUNA CONVERTIBLE 5 EN 1 DA1526B4-W / DA1526B4-BL

LISTA DE PIEZAS

<p>A</p> 	<p>B</p> 	<p>C</p> 
<p>CABECERA 1 PC</p>	<p>PANEL LATERAL IZQUIERDO 1 PC</p>	<p>PANEL LATERAL DERECHO 1 PC</p>
<p>D</p> 	<p>E</p> 	<p>F</p> 
<p>PIE DE CAMA 1 PC</p>	<p>LARGUERO INFERIOR 1 PC</p>	<p>SOPORTE COLCHÓN 1 PC</p>
<p>G</p> 	<p>H</p> 	<p>I</p> 
<p>FRENTE DE CAJÓN 1PC</p>	<p>LADO DE CAJÓN 2PCS</p>	<p>LADO POSTERIOR CAJÓN 1PC</p>
<p>J</p> 	<p>K</p> 	<p>L</p> 
<p>FONDO DE CAJÓN 1PC</p>	<p>TOPE DE CAJÓN 2PCS</p>	<p>SOPORTE CENTRAL 2PCS</p>
<p>M</p> 	<p>N</p> 	
<p>PANEL CENTRAL 1PC</p>	<p>BARRA CON RUEDITAS 2PCS</p>	

CUNA CONVERTIBLE 5 EN 1 DA1526B4-W / DA1526B4-BL



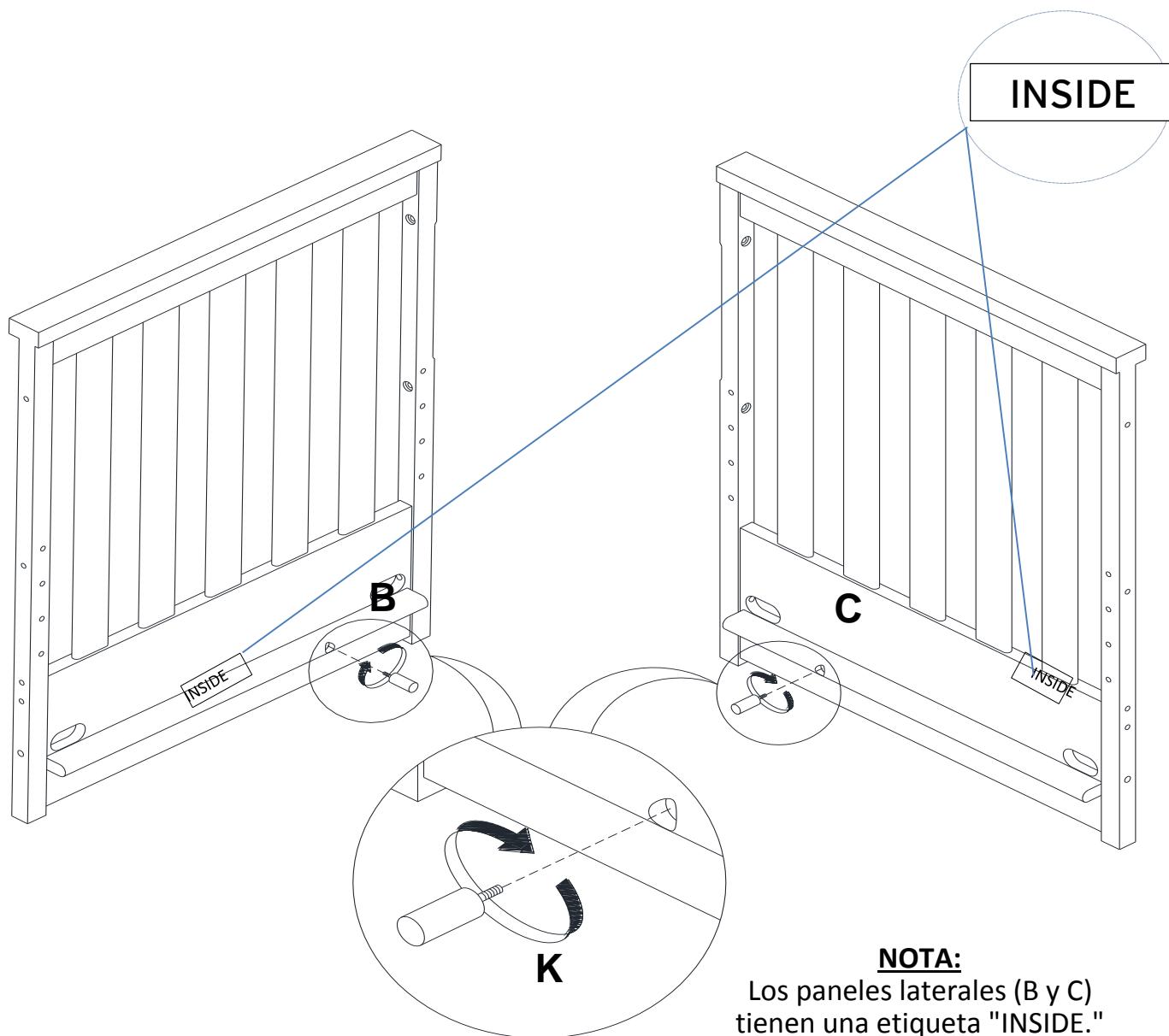
INSTRUCCIONES PARA ENSAMBLAR LA CUNA

NOTA: Cuando coloque pernos, gire en sentido horario hasta que los pernos estén ajustados. Luego aflójelos de 1/2 a 3/4 de vuelta. Una vez que la cuna esté completamente ensamblada, ajuste todos los pernos de nuevo. Utilice cera o jabón en todos los pernos para facilitar la tarea.

CUNA CONVERTIBLE 5 EN 1 DA1526B4-W / DA1526B4-BL

ETAPA 1

Coloque los topes de cajón (K) en el panel lateral izquierdo (B) y el panel lateral derecho (C) como ilustrado más abajo.



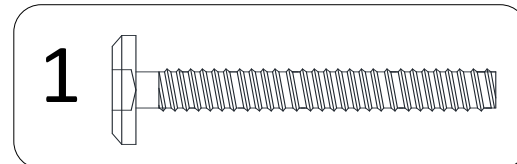
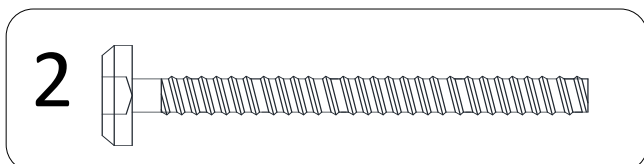
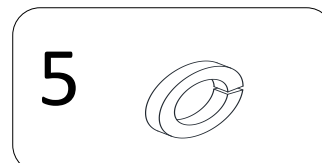
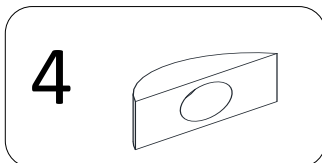
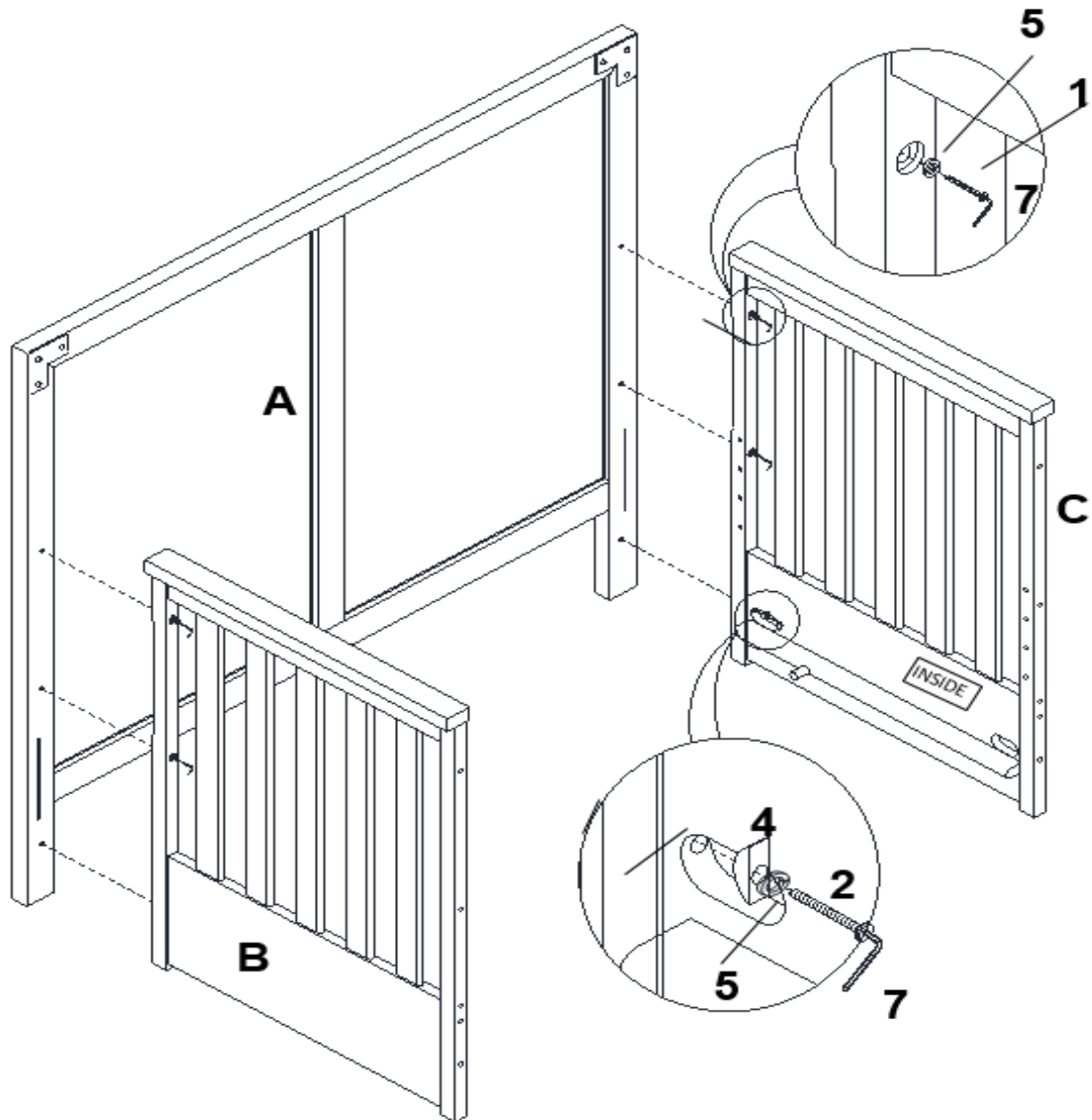
NOTA:

Los paneles laterales (B y C) tienen una etiqueta "INSIDE." Para asegurarse de que la cuna quede bien ensamblada, los paneles laterales (B y C) deben ser fijados a la cabecera de manera que la etiqueta "INSIDE" quede hacia el interior de la cuna en la etapa siguiente.

CUNA CONVERTIBLE 5 EN 1 DA1526B4-W / DA1526B4-BL

ETAPA 2

Fije los paneles laterales (B y C) a la cabecera (A) con pernos (1 y 2), arandelas de resorte (5) y tuercas curvadas (4) con la llave Allen (7) como ilustrado más abajo.

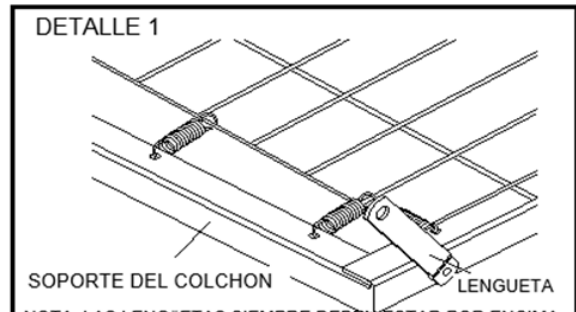
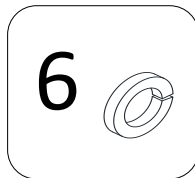
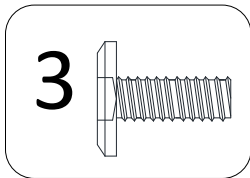
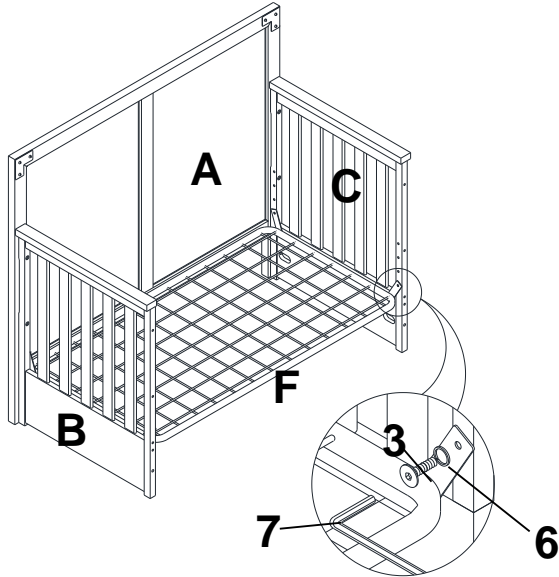


CUNA CONVERTIBLE 5 EN 1 DA1526B4-W / DA1526B4-BL

ETAPA 3:

Fije de soporte del colchón (F) a las panels (B y C) con pernos de soporte del colchón (3) y arandelas de resorte (6).

Utilice la llave Allen (7) para ajustar los pernos.



NOTA: LAS LENGÜETAS SIEMPRE DEBEN ESTAR POR ENCIMA DEL SOPORTE DEL COLCHÓN AL INSTALARLO SEGÚN EL DETALLE 1. NO INSTALE EL SOPORTE DEL COLCHÓN AL REVÉS, EN CUYO CASO LOS 4 BORDES QUEDARÍAN POR ENCIMA DE LA MALLA METÁLICA.



NOTA: POR FAVOR, ASEGÚRESE DE COLOCAR LOS PERNOS Y ARANDELAS DE RESORTE APROPIADOS EN TODOS LOS AGUJEROS DE POSICIÓN DEL SOPORTE DEL COLCHÓN UNA VEZ QUE ESTE ÚLTIMO HAYA SIDO COLOCADO A LA ALTURA DESEADA. ASEGÚRESE DE QUE LOS PERNOS ESTÉN BIEN AJUSTADOS.



CORECTO

* La etiqueta "ESTE LADO HACIA ARRIBA" muestra el lado que debe ir hacia arriba.



CORECTO

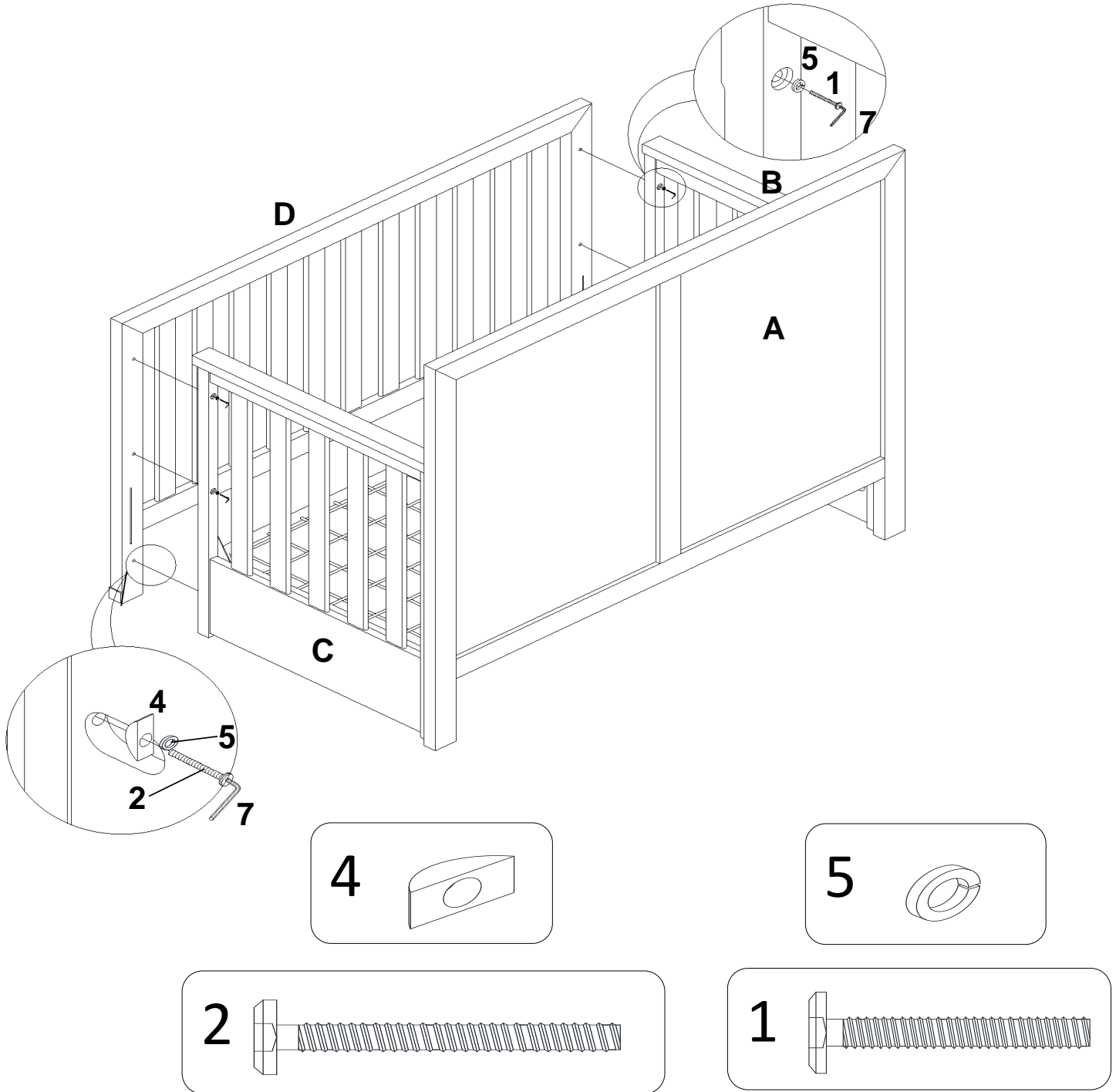
* Las lengüetas ubicadas en los ángulos del soporte del colchón deben ir hacia arriba.

NOTA: Los anteriores fotos y dibujos que muestran cómo colocar correctamente el soporte del colchón son sólo para referencia. Estilos de cuna y colores pueden variar.

CUNA CONVERTIBLE 5 EN 1 DA1526B4-W / DA1526B4-BL

ETAPA 4

Fije el pie de cama (D) a los paneles laterales (B y C) con pernos (1 y 2), tuercas curvadas (4) y arandelas de resorte (5) con la llave Allen (7) como ilustrado más abajo.



CUNA CONVERTIBLE 5 EN 1 DA1526B4-W / DA1526B4-BL

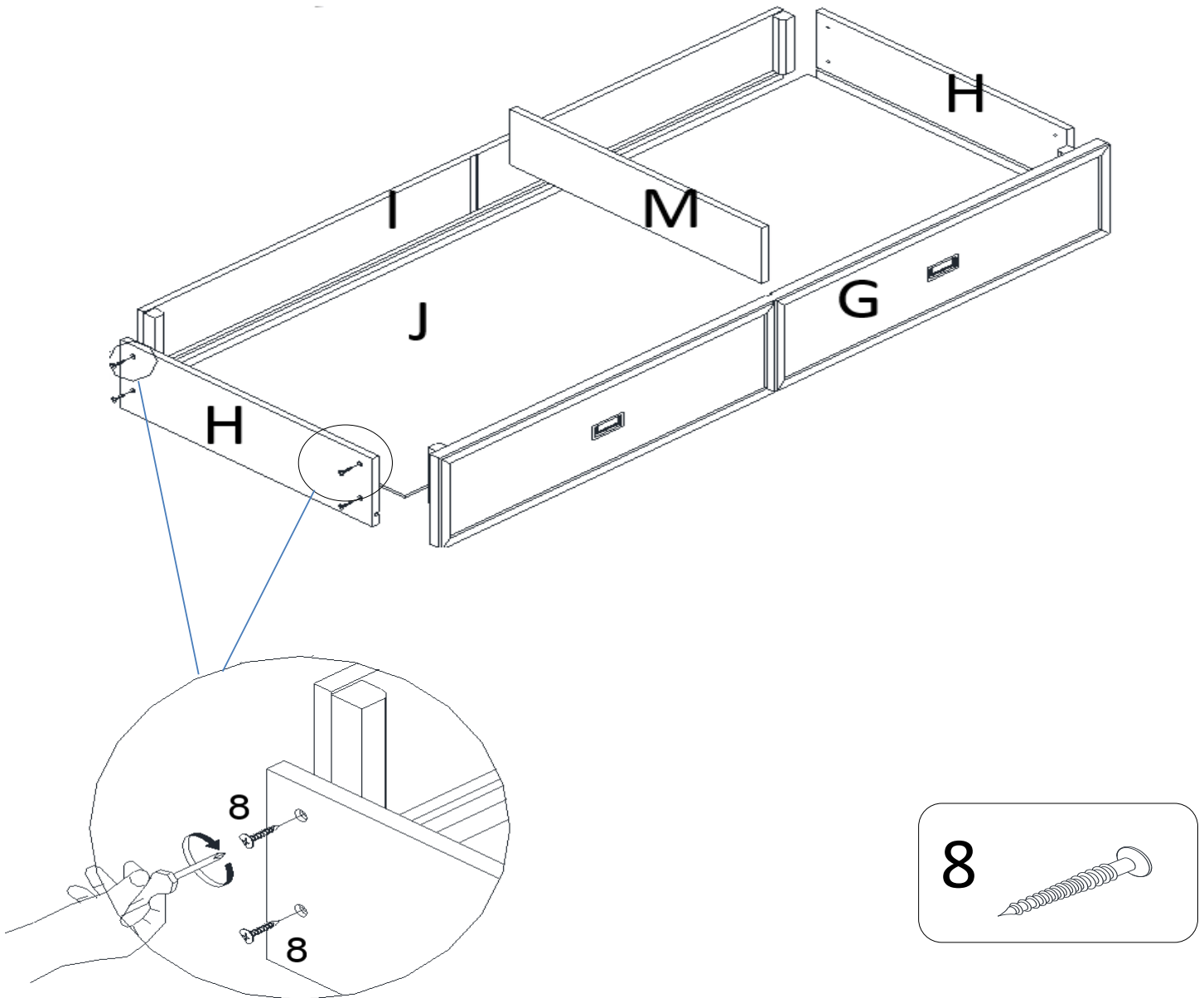
ETAPA 5

Fije el lado posterior del cajón (I) a los lados del cajón (H) con tornillos (8) utilizando un destornillador Phillips (no incluido).

Deslice el fondo del cajón (J) en las ranuras de los lados del cajón (H) y del lado posterior del cajón (I).

Fije el frente del cajón (G) con tornillos (8) y un destornillador Phillips (no incluido).

Deslice el panel central del cajón (M) en las ranuras del frente del cajón (G) y del lado posterior del cajón (I).



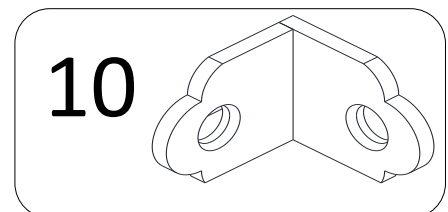
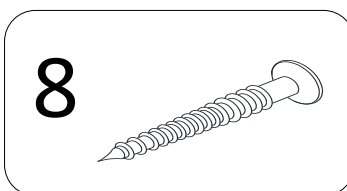
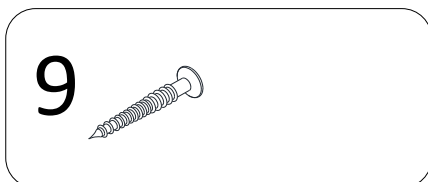
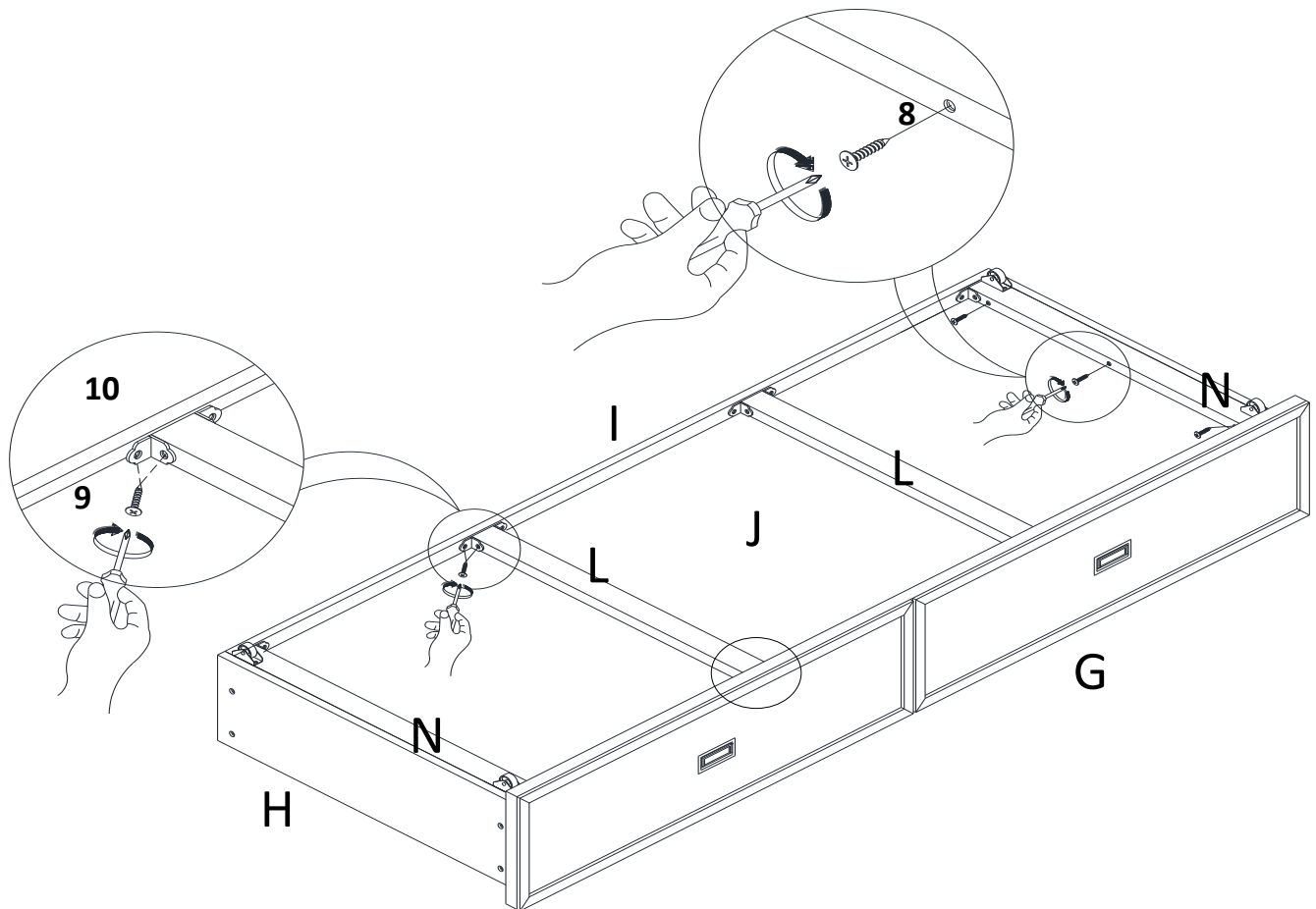
CUNA CONVERTIBLE 5 EN 1 DA1526B4-W / DA1526B4-BL

ETAPA 6

Coloque el cajón boca abajo.

Fije los soportes centrales (L) y las barras con rueditas (N) al lado posterior del cajón (I) y al frente del cajón (G) con escuadras de metal (10) y tornillos (9) utilizando un destornillador Phillips (no incluido) como ilustrado más abajo.

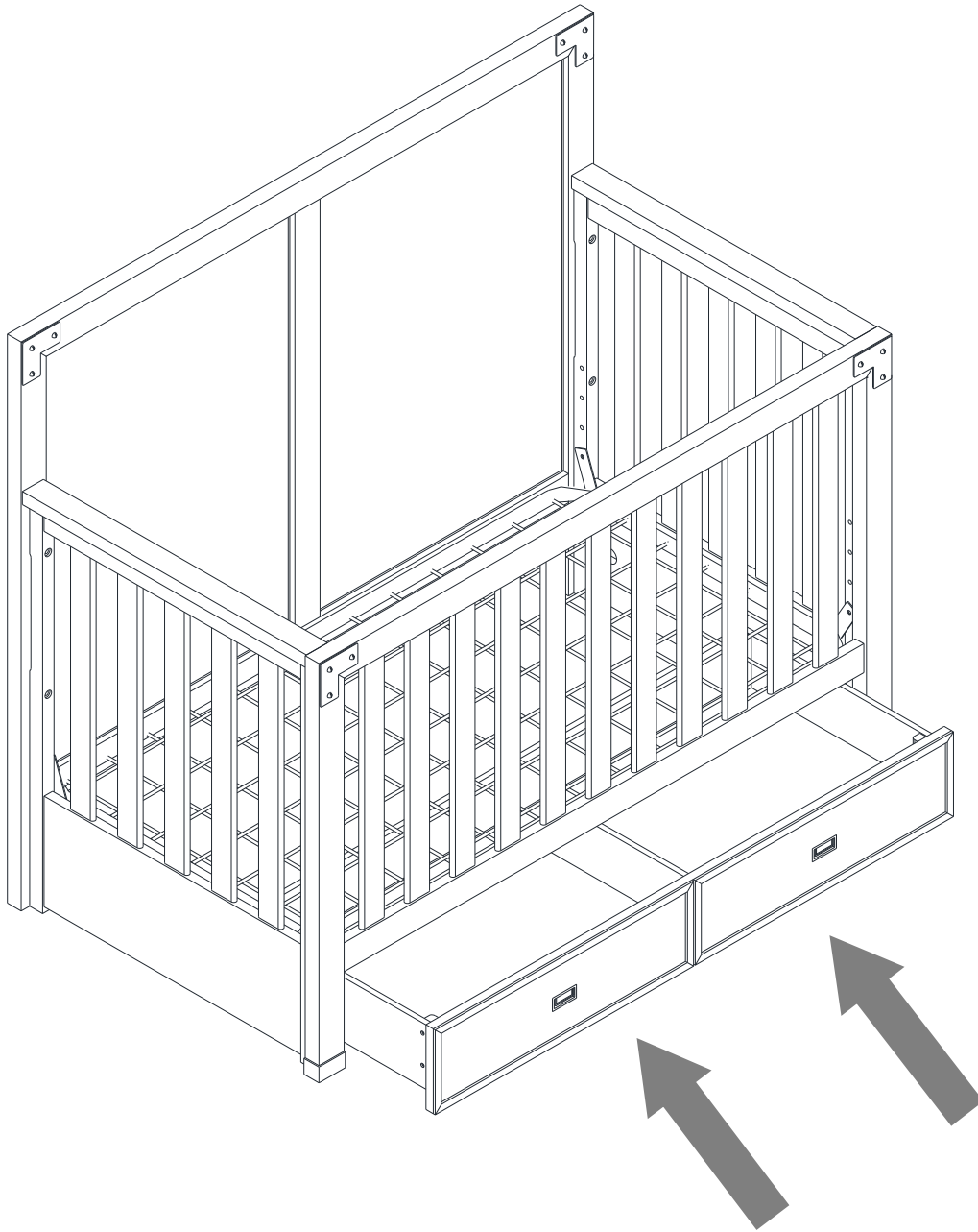
Fije bien las barras con rueditas (N) a los lados del cajón (H) con tornillos (8) utilizando un destornillador Phillips (no incluido).



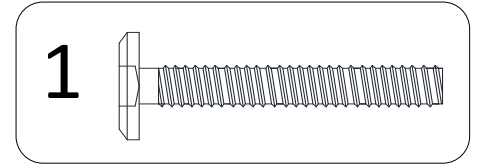
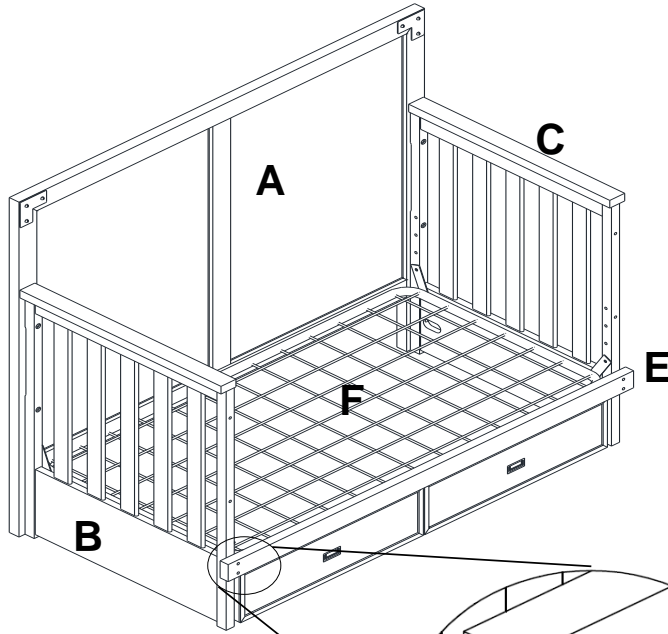
CUNA CONVERTIBLE 5 EN 1 DA1526B4-W / DA1526B4-BL

ETAPA 7

Deslice el cajón debajo de la cuna hasta que toque los topes del cajón (K).



CUNA CONVERTIBLE 5 EN 1 DA1526B4-W / DA1526B4-BL



ADVERTENCIAS:

- * TODO COLCHÓN UTILIZADO CON ESTA CUNA DEBE MEDIR POR LO MENOS 27-1/4 PULGADAS POR 51-5/8 PULGADAS (69CM POR 131CM) CON UN ESPESOR QUE NO EXCEDA LAS 6 PULGADAS (15CM).
- * La cama para niños pequeños o cama de día no está diseñada para niños menores de 15 meses o que pesen más de 50 lbs (22.7 kg).

ENSAMBLADO DE LA CAMA PARA NIÑOS PEQUEÑOS Y CAMA DE DÍA: A PARTIR DE LA CUNA

ETAPA 1: Retire el panel lateral izquierdo (B) y el panel lateral derecho (C) utilizando la llave Allen (7).

ETAPA 2: Si el soporte del colchón (F) no está en la posición más baja, desatornille los pernos del soporte (3) del panel lateral izquierdo (B) y del panel lateral derecho (C) y coloque el soporte en la posición más baja.

ETAPA 3: Fije el larguero inferior (E) al panel lateral izquierdo (B) y al panel lateral derecho (C) con pernos (1). Utilice la llave Allen (7) para ajustar todos los pernos.

ETAPA 4: Asegúrese de que todos los pernos estén bien ajustados.

ENSAMBLADO DE LA CAMA PARA NIÑOS PEQUEÑOS Y CAMA DE DÍA: COMENZAR DE CERO

ETAPA 1: Siga las etapas 1 a 3 de las instrucciones para ensamblar la cuna.

ETAPA 3: Fije el larguero inferior (E) al panel lateral izquierdo (B) y al panel lateral derecho (C) con pernos (1). Utilice la llave Allen (7) para ajustar todos los pernos.

ETAPA 4: Asegúrese de que todos los pernos estén bien ajustados.

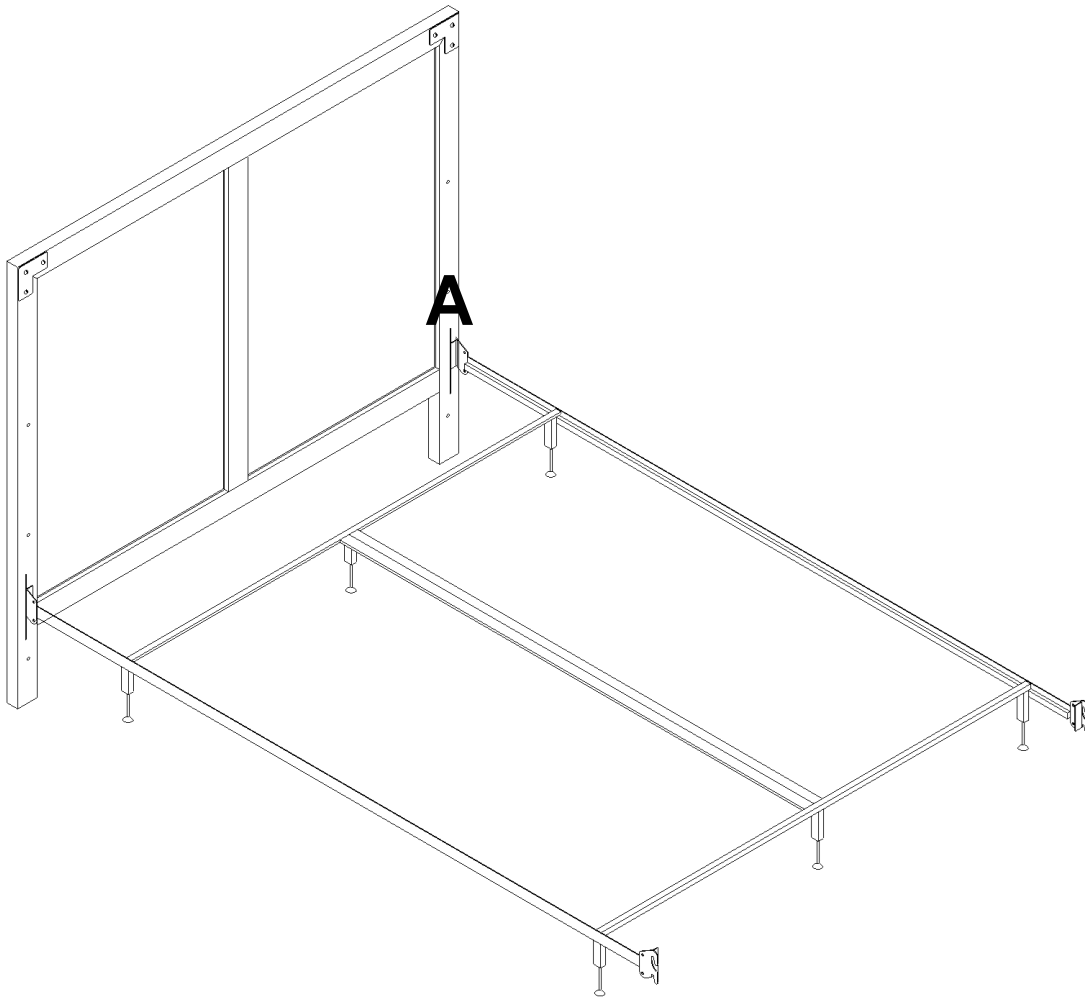
CUNA CONVERTIBLE 5 EN 1 DA1526B4-W / DA1526B4-BL

INSTRUCCIONES PARA ENSAMBLAR LA CAMA GRANDE (CABECERA SOLAMENTE)

NOTA: LAS BARANDAS DE CONVERSIÓN A CAMA GRANDE NO ESTÁN INCLUIDAS. LOS DIAGRAMAS SE MUESTRAN SOLO COMO REFERENCIA. LAS BARANDAS DE LAS CAMAS

ETAPA 1

Fije un marco de cama de metal (no incluido) a la cabecera (A) para convertir la cuna en una cama grande utilizando solo la cabecera.



IMPORTANTE: GUARDE TODAS LAS PIEZAS EXTRA QUE NO UTILICE PARA PODER RECONVERTIR LA CAMA EN EL FUTURO SI ASÍ LO DESEA. SIEMPRE CONSERVE LAS INSTRUCCIONES DE ENSAMBLADO EN LA BOLSA FIJADA AL SOPORTE DEL COLCHÓN (F).

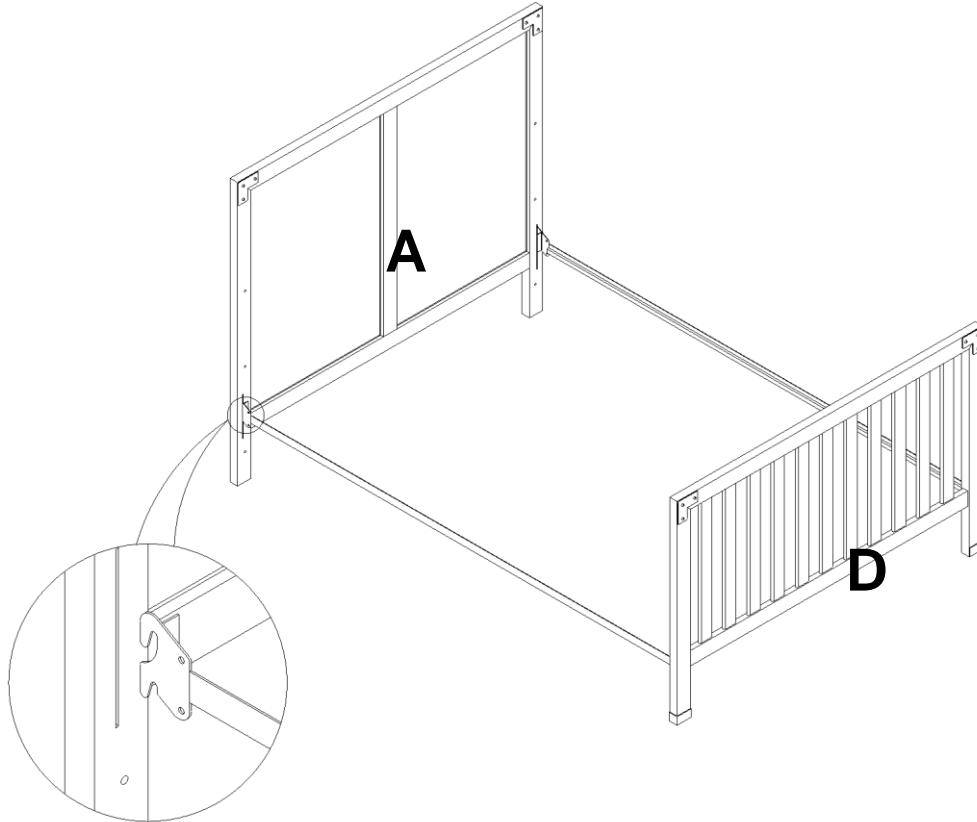
CUNA CONVERTIBLE 5 EN 1 DA1526B4-W / DA1526B4-BL

INSTRUCCIONES PARA ENSAMBLAR LA CAMA GRANDE (CABECERA Y PIE DE CAMA)

NOTA: LAS BARANDAS DE CONVERSIÓN A CAMA GRANDE NO ESTÁN INCLUIDAS. LOS DIAGRAMAS SE MUESTRAN SOLO COMO REFERENCIA. LAS BARANDAS DE LAS CAMAS PUEDEN SER DIFERENTES DE LA ILUSTRACIÓN.

ETAPA 1

Fije barras de metal de tamaño estándar (no incluidas) a la cabecera (A) y a la barra anterior (D) para convertir la cuna en una cama grande.

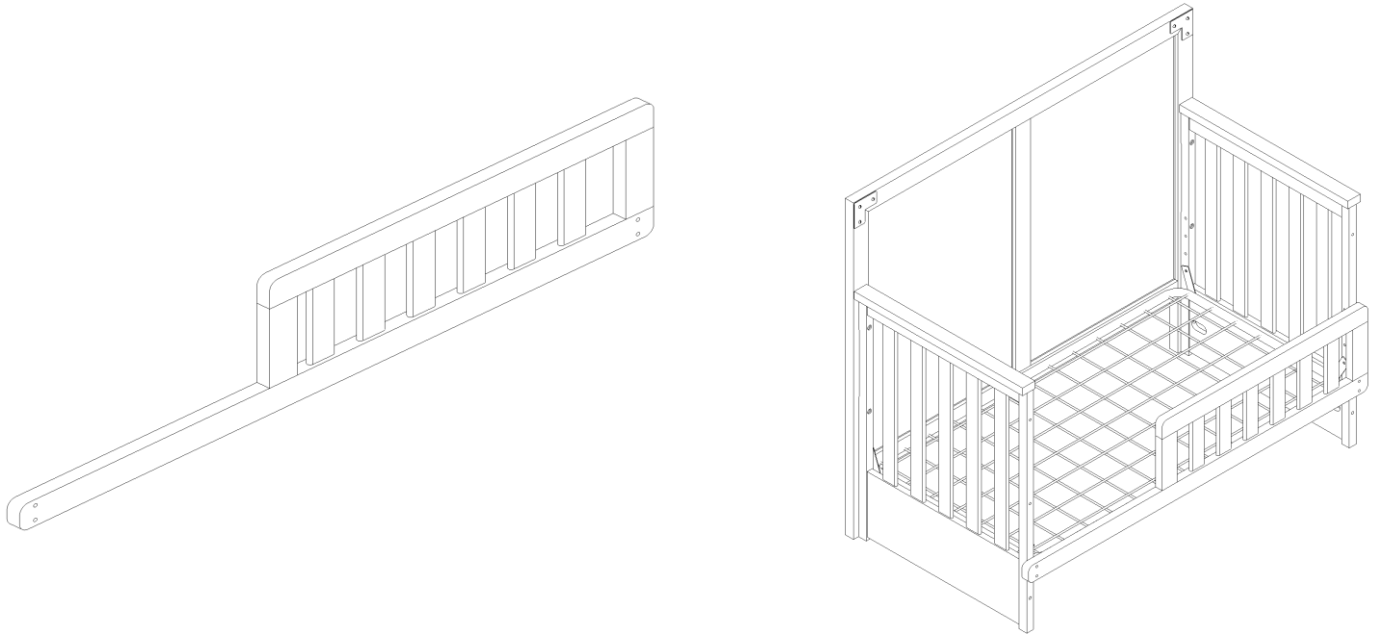


NOTA: Para un mejor resultado, compre las barandas de madera haciendo juego. Vea la página siguiente para obtener más detalles.

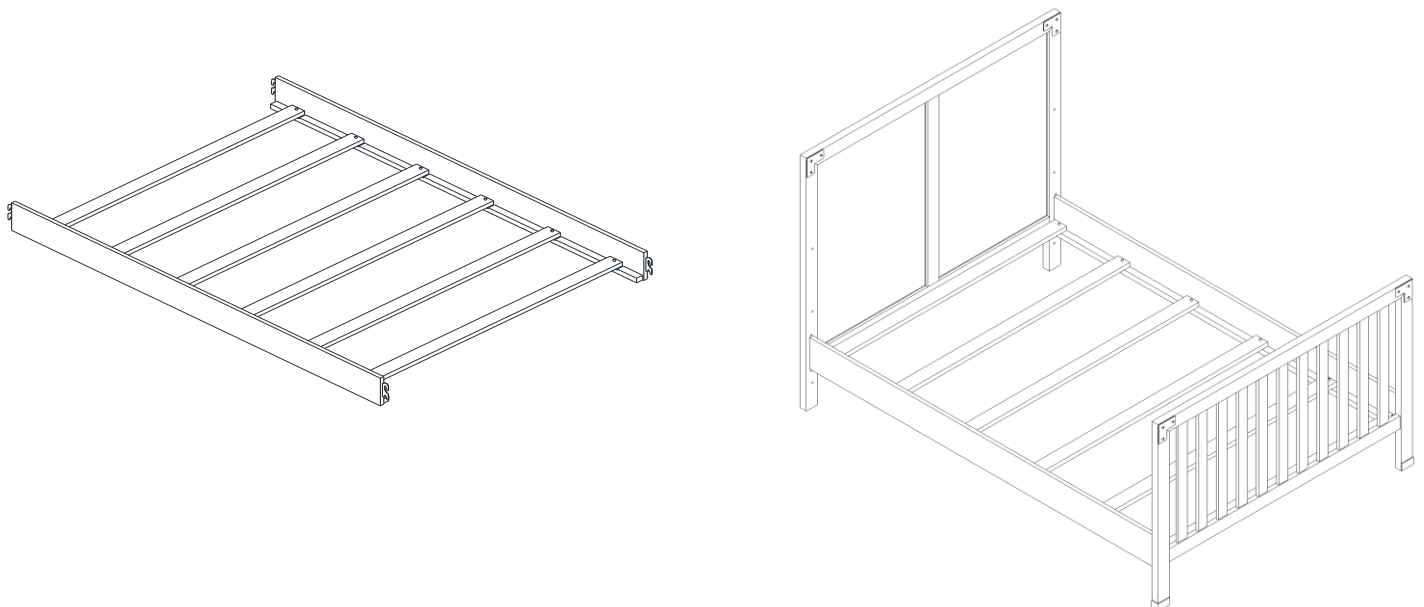
IMPORTANTE: GUARDE TODAS LAS PIEZAS EXTRA QUE NO UTILICE PARA PODER RECONVERTIR LA CAMA EN EL FUTURO SI ASÍ LO DESEA. SIEMPRE CONSERVE LAS INSTRUCCIONES DE ENSAMBLADO EN LA BOLSA FIJADA AL SOPORTE DEL COLCHÓN (F).

CUNA CONVERTIBLE 5 EN 1 DA1526B4-W / DA1526B4-BL

Convierta la cuna en una cama para niños pequeños con las Barandas para cama de niños pequeños (número de modelo DA1526-5W / DA1526-5BL) - vendidas por separado.



Convierta la cuna en una cama grande con las Barandas de madera para cama grande (número de modelo DA1526-8W / DA1526-8BL) - vendidas por separado.



CUNA CONVERTIBLE 5 EN 1

DA1526B4-W / DA1526B4-BL

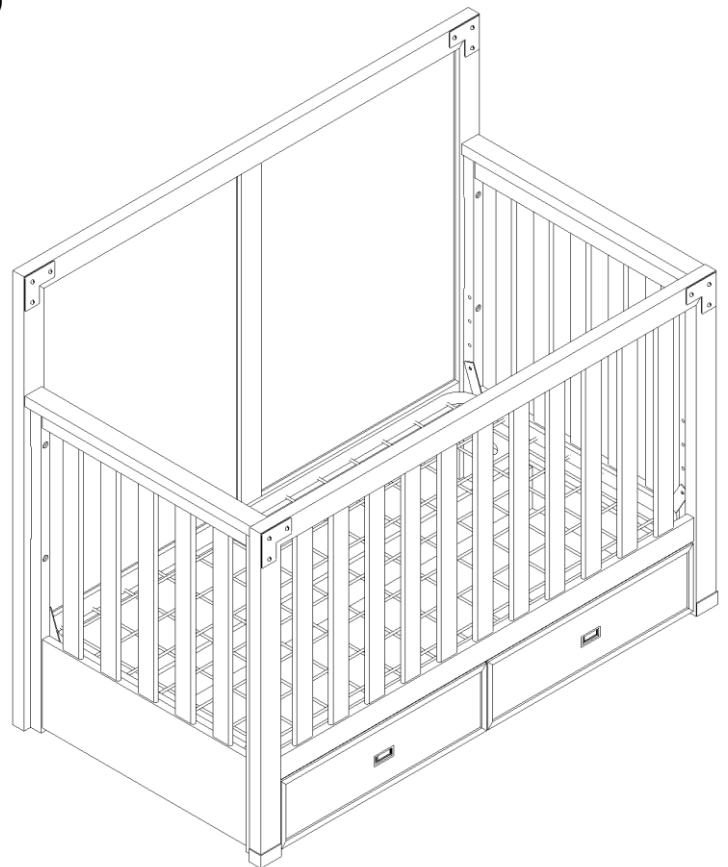
! PRECAUCIÓN: Esta unidad está diseñada para ser utilizada únicamente con los productos y/o pesos máximos indicados. Su uso con otros productos y/o productos más pesados que los pesos máximos indicados puede provocar inestabilidad o causar lesiones.

TODO COLCHÓN UTILIZADO EN ESTA CUNA DEBE SER DE POR LO MENOS 27-1/4 PULGADAS POR 51-5/8 PULGADAS (69CM POR 131CM) CON UN ESPESOR NO MAS DE 6 PULGADAS (15CM).

Cuando el niño pueda pararse o llegue a 35" (89 cm) de altura, no debe seguir usando esta cuna.

La CAMA DE DÍA no está prevista para niños menores de 15 meses o de más de 50 libras (22.7 kgs) de peso.

El peso máximo que no exceda de 50 libras cuando se utiliza como una cuna.



¡Listo! Acaba de armar su cuna 5 en 1.

NO DEVUELVA EL PRODUCTO A LA TIENDA.

Si falta una pieza o está dañada, contacte nuestro departamento de servicio a la clientela. Reemplazaremos la pieza SIN cargo.



Tel #: 1-800-295-1980
Correo electrónico: das@dorel.com
Fax #: 514-353-7819